



**ZERO TURNING RADIUS  
RIDE-ON MOWER**  
Model A12011H



**OWNER/OPERATORS MANUAL**  
READ THIS MANUAL BEFORE OPERATING MACHINE

**DEATH, PERSONAL INJURY AND/OR PROPERTY DAMAGE MAY OCCUR UNLESS INSTRUCTIONS IN  
THIS MANUAL ARE FOLLOWED**

NOTE: Bring this Manual when Service & or Warranty work is required.

Revised 06/09/2011

# OWNERS INFORMATION

MACHINE CODE NO: \_\_\_\_\_

SERIAL NO: \_\_\_\_\_

Located on label inside transmission housing

B&S ENGINE MODEL NO: \_\_\_\_\_ TYPE \_\_\_\_\_ CODE \_\_\_\_\_

DATE OF PURCHASE: \_\_\_\_\_

## ISSUED TO:

OWNERS NAME: \_\_\_\_\_

ADDRESS: \_\_\_\_\_

TOWN/CITY: \_\_\_\_\_ STATE: \_\_\_\_\_

## ISSUED BY:

AUTHORISED COX DEALER/  
DISTRIBUTOR: \_\_\_\_\_

ADDRESS: \_\_\_\_\_

TOWN/CITY: \_\_\_\_\_ STATE: \_\_\_\_\_

## PRE DELIVERY CHECK LIST

Check parts  Assemble  Service  Instruction

**ALWAYS KEEP THIS MANUAL IN A SAFE PLACE.**

# SAFETY INSTRUCTIONS

- Read, understand, & follow all instructions in the Owner/Operators manual.
- Know the controls and how to stop the engine quickly in an emergency.
- Allow only responsible adults, who are familiar with the instructions in this manual, to operate the machine.
- Clear the area to be mowed of loose objects such as sticks, stones, bones, wire, toys, debris, etc., which could be picked up and thrown by the blades.
- DO NOT mow whilst people, especially children, or pets are in the mowing area.
- DO NOT mow either direction on slopes beyond 15 degrees (1 in 3.75)
- Exercise extreme caution on slopes.
- Reduce speed on slopes and in sharp turns to prevent overturning or loss of control.
- Start or stop slowly when on slopes.
- Mow up and down slopes, not across the slope.
- Stay alert for holes or bumps in the terrain and other hidden hazards.
- Watch out for traffic when crossing or operating the mower near roadways.
- Stop the blades rotating before crossing surfaces other than grass.
- When using attachments, never direct discharge of material toward bystanders nor allow anyone near the machine while it is in operation.
- Before leaving the operators position-
  - a] Disengage all clutches and secure cutting units;
  - b] Return drive levers to neutral position and set the parking brake;
  - c] Stop the engine and remove the key.
- Disengage drive to attachments and stop engine-
  - a] Before refueling.
  - b] Before checking, cleaning or working on the mower;
  - c] After striking a foreign object (check the mower for damage and make repairs before restarting and operating the equipment);
  - d] If machine starts to vibrate abnormally (check immediately).
- Disengage drive to attachments when transporting or not in use.
- A mower operator should be in good physical and mental health and not under the influence of alcohol or any drug which might impair vision, co-ordination or judgment.
- Never mow while barefoot or wearing open sandals or thongs. Wear long trousers and heavy shoes.
- It is advisable to wear suitable eye protection when operating a mower.
- Mow only in daylight or good artificial light.
- Before using, always visually inspect to see that cutter bars are not loose, worn or damaged. Replace worn or damaged bars.
- Check all nuts, bolts, and screws often; always be sure the mower is in safe operating condition.
- Keep safety devices (guards and switches) in place and in working order.
- Never use the mower unless the guards provided by the manufacturer, are in position.
- Ensure any replacement parts used comply with the original manufacture's recommendations and specifications.
- Replace worn or faulty silencers.
- Keep machine free of grass, leaves or other debris, excessive oil, grease, or spilt fuel. These can be a fire hazard.
- Refuel outdoors only. Do not smoke while refueling engine. Never remove the cap of the fuel tank or add petrol while the engine is running or the engine is hot. Remove fuel cap slowly to relieve any tank pressure. If fuel is spilled, do not attempt to start the engine but move machine away from the area of the spill and avoid creating any source of ignition until fuel vapors have dissipated.
- Check for fuel leaks while refueling, before and while using the mower. If a fuel leak is found, do not start or run the engine until the fuel leak is fixed and spilled fuel is wiped away.
- Do not operate engine in a confined space where exhaust fumes (carbon monoxide) can collect.
- Always mount the mower from the front or non discharge side.
- Start the engine carefully with the cutting means disengaged.
- Do not over-speed the engine or alter governor settings. Excessive speed is dangerous and shortens mower life.
- Stop the engine whenever you leave the mower, even for a moment.
- Store the mower in a well-ventilated room away from naked flames such as may be found in hot water heaters.
- Do not lend or sell the mower, without the owners/operators Manual.

# PRE-DELIVERY INSTRUCTIONS

## INTRODUCTION:

The purpose of this procedure is to ensure the dealer/distributor has made the necessary installations, adjustments and checks, before the machine is operational. This procedure begins upon receiving the crated mower and is finalised once the mower has been either sold or leaves the dealer/distributors premises. This is the minimum amount of work required, however it should not be limited to only the areas detailed in this procedure.

## RESPONSIBILITY:

It is the responsibility of the dealer/distributors to ensure that before a machine is delivered to a customer, it is in perfect operational condition.

## PROCEDURE:

### CHECK ITEMS SUPPLIED IN SEAT PROTECTION BAG

- Engine owners manual
- Owner/Operator manual (CD)
- Tommy bar (AM007)
- Ignition keys (AM015)
- Spark plug spanner (AM295)
- Warranty Card
- Pre-delivery Instruction Sheet
- Seat Spring x 2 (13060)
- Washer x 2 (W05M202)
- Set Screw x 4 (M8x20)
- Nut x 4 (M8 Nyloc)
- Washer x 2 (W052003)
- Seat Spring Cap x 2 (14128)
- LH Control Lever (A120617)
- RH Control Lever (A120618)

## TYRE PRESSURE

Before operation ensure that all tyre pressures are equal. The recommended pressure allowed is 140 kpa (20 P.S.I.).

## ENGINE OIL

Before operation ensure that engine oil level is to the full mark on the dipstick. (Check engine owners manual if oil needs to be added).

## FUEL TAP

Ensure the fuel taps at the bottom of the LH & RH side of fuel tanks are turned to the on position before attempting to start engine. (Use unleaded fuel only).  
Turn fuel taps off after use.

## SAFETY SWITCHES

### Drive Lever Switches -

With cutter PTO switch in disengaged position & clutch/park brake set, attempt to start the engine without placing the drive levers in the Neutral Position. Engine should not start.

### Cutter PTO Switch -

With Drive Levers in the Neutral Position & clutch/ park brake set (without placing cutter PTO switch in disengaged position) attempt to start engine. Engine should not start.

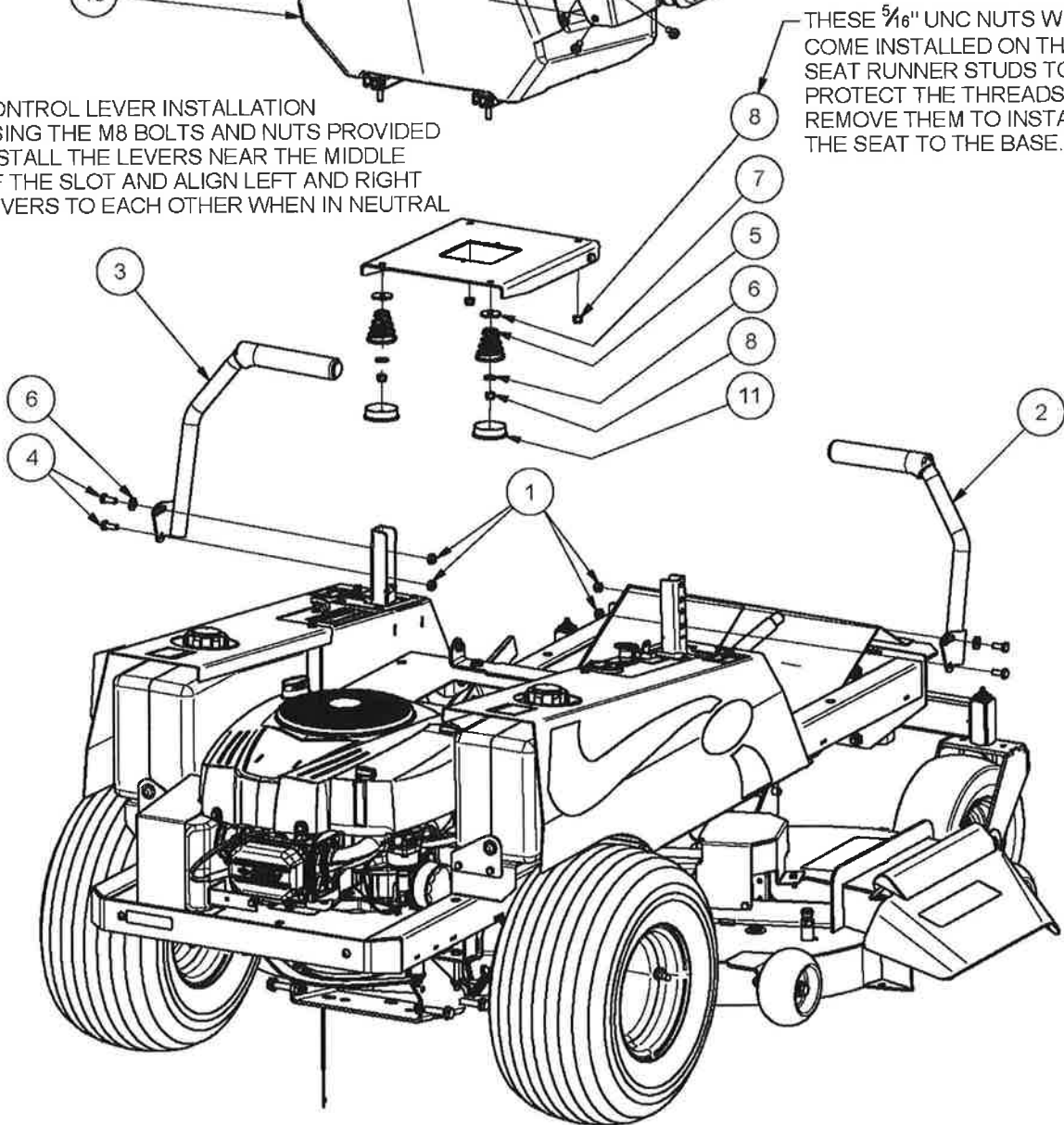
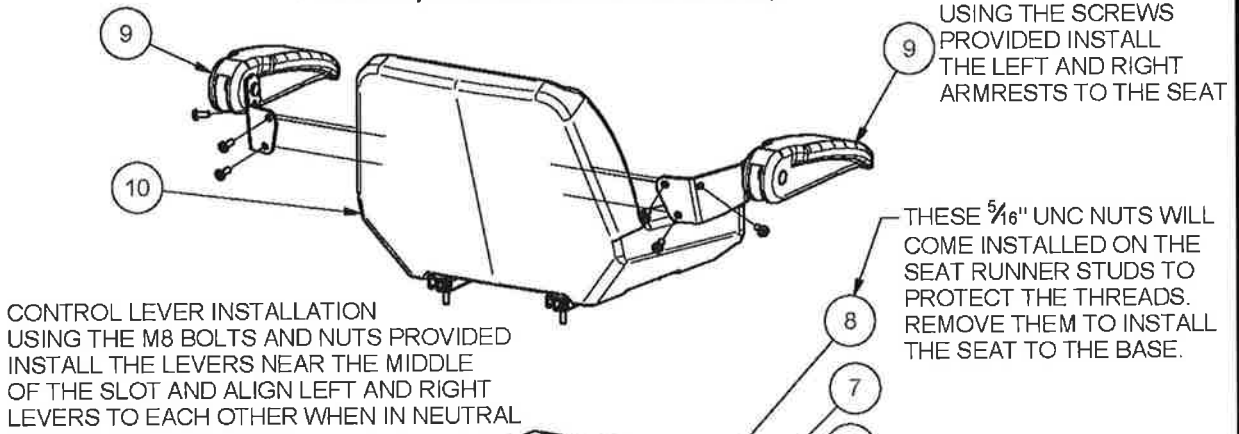
### Clutch/Park Brake Switch -

With cutter PTO switch in disengaged position and the drive levers in the Neutral Position, attempt to start the engine without setting the Clutch/Park Brake. Engine should not start.

### Seat Switch -

While sitting on machine start engine, engage Cutter PTO Switch and lift weight from seat. Engine should cut out.

Pre Delivery Seat and Control Lever Assembly



1	NM8NT	NUT,HEX,NYLOC,THIN,M 8,PC6,ZNPL	4
2	A120618	SUB-ASSY, LEVER, CONTROL, RIGHT	1
3	A120617	SUB-ASSY, LEVER, CONTROL, LEFT	1
4	SH0820M	SCREW,HEX,M 8X 20,PC8.8,ZNPL	4
5	13060	SPRING,SEAT	2
6	W05M202	WASHER,FLAT,BRIGHT,5/16"x3/4"x14G	4
7	W052003	WASHER,FLAT,BLACK,5/16"x1-1/4"x3,ZNPL	2
8	N05CN	NUT,HEX,NYLOC,THICK,UNC,5/16",GR5,ZNPL	4
9	A120054	KIT, ARMREST, T-SUIT V-2505 SEAT	1
10	A126050	SEAT,V-2505 SERIES,INC ARM REST REINFORCE	1
11	14128	CAP, SEAT SPRING (BLACK)	2

# OPERATING INSTRUCTIONS

## IMPORTANT

### RECOMMENDED FUEL

Unleaded fuel is recommended by all manufacturers of engines fitted to Cox products (up to 10% ethanol blended fuel is acceptable).

### SAFETY SWITCHES

Before operating machine, ensure that all safety switches are operating correctly. Do not operate machine with faulty, missing or damaged safety switches.

### STARTING MACHINE

When starting machine, place Drive Levers in the neutral position. Ensure that Cutter PTO Switch is disengaged and the Clutch/Park Brake is set, otherwise electric start will not engage. If engine is cold move engine speed control to choke position and return to desired engine speed setting when engine starts. Do not attempt to continue to operate engine in the choke position.



### BLADE WARNING



Do not use mowing attachment with broken or bent blades or damaged or worn bolts and nuts. Damage and premature wear will result from vibration. Recommended Cutter Blade Bolt and Nut torque is 36-40Nm. Do not over tighten.

**Keep both feet and hands clear of the mowing attachment at all times while attempting to start or operate the machine.**



## WARNING



**DO NOT OPERATE MOWING ATTACHMENT WITHOUT DISCHARGE DEFLECTOR FITTED & DOWN.**

Safety footwear is recommended when operating machine. Mount and dismount only from the centre front or non discharge side of machine.

Reference to left or right hand side of machine is determined by sitting in the operating position on the machine.

Ensure machine has Clutch/Park Brake set and drive levers in neutral position when attempting to start engine.

Never allow engine revs to exceed more than 3600 RPM.

## TO OPERATE

### BEFORE STARTING/SWITCHING OFF:

See Engine Maintenance/Instruction Sheet. When stopping engine disengage cutter return throttle to slow position and switch off.

### TO ENGAGE MOWING ATTACHMENT:

The Mowing Attachment is engaged and disengaged by pulling up or depressing the large yellow knob (Cutter P.T.O. Switch) on the right hand control panel. Before starting ensure knob is in the disengaged position (down). To engage the mowing attachment, bring the engine up to normal operating speed and lift the engagement knob. For safety it is advisable at all times, other than when mowing, that the mowing attachment be kept in the disengaged position.

### TO DRIVE FORWARD/REVERSE:

Engine speed is regulated by setting the engine speed control to desired engine speed. Press the drive control levers forward for forward movement, Pull the drive control levers back for reverse. The amount of travel can be used to control the ground speed, especially in heavier conditions. Owing to the forward/reverse action of the drive levers, it is possible to take the machine straight from forward to reverse and vice versa.

### MANOEUVRING:

This forward and reverse operation makes the machine very manoeuvrable and the sharpest turns can be negotiated easily and quickly. To manoeuvre the mower push forward on the drive levers for forward drive and pull back for reverse, the further forward the levers are pushed will also control the ground speed, the same applies in reverse. The left hand drive lever will turn the mower in a left hand direction and the right hand lever will turn the mower in a right hand direction. To stop the mower when in forward motion pull back on drive levers then bring levers back to neutral and vice versa when in reverse.

### TO BRAKE (WITH ENGINE RUNNING):

The drive levers should be used to stop the machine. If travelling forward pull the levers into reverse until machine stops, then bring the levers back to neutral position or vice versa if travelling in reverse.

### CLUTCH/PARK AND TRANSPORTATION BRAKE:

The clutch/park brake engagement lever is located on the front LH side of the control housing. Pull the lever up fully and then to the right then lower into the "L" slot to engage the brake. Pull the lever up out of the "L" slot and then to the left, then lower completely to disengage clutch/park brake.

**Do not attempt to stop the machine using the clutch/park brake lever as permanent damage will be done to the park/brake mechanism.**

### CUTTING HEIGHT ADJUSTMENT:

The cutter height adjustment lever is located on the front RH side of the control housing, and may be raised to suit various conditions.

To raise the mowing attachment, lift the height adjustment lever to the desired height. It is not necessary to depress the button when lifting the mowing attachment.

To lower the mowing attachment, lift the height adjustment lever slightly and depress button, once button is depressed lower the mowing attachment to the desired position and release button.

**NOTE: When mowing slopes, keep drive levers in forward or reverse, depending on direction of travel. The low gearing will prevent it from picking up excessive speed. If very steep it may be necessary to reduce engine speed slightly.**

# MAINTENANCE INSTRUCTIONS

It is the owner's responsibility to ensure that all periodical checks, necessary adjustments and services are carried out.

**STOP ENGINE - Never attempt any maintenance with the engine running, remove spark plug lead and ensure the blades have stopped rotating.**

Before servicing, disconnect spark plug wire and ground it, disconnect battery at negative terminal, to prevent accidental starting.

**OIL CHANGING & FILTER REPLACEMENT (ENGINE):** See Engine Maintenance/Instructions Sheet and carry out as per Engine Manufacturers Recommendations.

**SERVICING ENGINE AIR CLEANER & FOAM PRE-CLEANER—** See engine owners manual for correct method to check and service engine air cleaner & foam pre-cleaner.

## **LUBRICATION OF MACHINE:**

Lubrication of machine must be carried out every 25 hours of operation or once a month, whichever falls first. More frequently when operated under adverse conditions.

A few drops of oil should be placed at the following points: Height adjustment mechanism, pivot bolt and linkages on drive levers.

## **VEE BELT ADJUSTMENT (ENGINE TO TRANSAXLES) :**

Tension of this belt is automatic. Adjustment of the clutch/park brake rod is required periodically to allow the belt to be spring tensioned. Adjust space between adjusting nut and trunnion to approx 3mm to 6mm. If loss of drive is experienced because of belt slippage, the belt has worn past its serviceable limit and should be replaced.

## **ENGINE TO CUTTER VEE BELT ADJUSTMENT:**

Tension is automatically adjusted. If loss of cutter drive is experienced because of belt slippage, the belt has worn past its serviceable limit and should be replaced.

## **TO CHECK BLADES:**

Stop engine. Remove spark plug lead. lift deflector and height adjustment control to highest position and inspect blades for wear. If sharpening or replacement is necessary, remove the mowing attachment for ease of blade access (see to remove mowing attachment section).

**TO REMOVE MOWING ATTACHMENT:** Remove tension spring on the cutter belt tension arm. Remove cutter belt from rear PTO pulley. Remove 2 x bolts and nyloc nuts either side on rear deck hangers. Remove pivot pin on front drag link. Remove the bolt & nut on tensioner arm link.

## **CLEANING MOWING ATTACHMENT:**

Ensure the mowing attachment is clear of obstructions. Attach standard garden hose to hose adaptor on either side of mowing attachment and turn on hose. Whilst sitting in the operators seat engage and run mowing attachment for two minutes, water from the hose will then circulate under the cutter and clean. After cleaning disengage mowing attachment and remove hose from the adaptor.

## **TYRE PRESSURE:**

140 Kpa (20 PSI) approximately front and rear. Uneven pressure can give an uneven finish when mowing and may cause damage to tyres and/or tubes.

## **BATTERY MAINTENANCE:**

Sealed battery. When not in use, a battery discharges by as much as 1% a day, more when the climate is warm. To make up for this loss, a boosting charge should be given once a month. Disconnect battery terminals to charge, then allow to stand minimum 1/2hr before re-connecting. If a battery is not used for a period of more than three (3) months, the terminals should be disconnected and trickle charged at two (2) amps for two (2) hours once every three (3) months or before use.

## **GENUINE SPARE PARTS:**

Always use Genuine Cox Factory Made Spare Parts. Use of non-genuine COX spares will void your warranty.

## **SAFETY FIRST:**

The use of any mechanical appliance can cause injury if incorrect procedures are used. Please ensure that all family members of intended operators read this manual thoroughly.

## **TORQUE SETTINGS**

1/4" UNC BOLT/NUT	10Nm (84lbf in)
5/16" UNC BOLT/NUT	20Nm (180lbf in)
3/8" UNC BOLT/NUT	36Nm (27lbf ft)
7/16" UNF BOLT	68Nm (50lbf ft)
6mm BOLT/NUT	9Nm (80lbf in)
20mm NUT	100Nm (74lbf ft)
5/8" UNF NUT	100Nm (74lbf ft)

***We are proud that you have purchased a Cox product and urge you to follow these instructions to obtain the maximum life for your machine. If in doubt check with your supplier.***

# MAINTENANCE SCHEDULE

## BEFORE EACH USE

Check engine oil level, adjust if required  
Check engine air cleaner foam pre-cleaner, service if required  
Check engine rotating screen/finger guard, clean if required  
Check operation of safety switches, service if required  
Check engine air inlet console screen, clean if required

Check tyre pressures, adjust if required  
Check for loose fasteners, tighten if required  
Check cutting attachment cutter blades, bolts, nuts, housing and guards for wear or damage, replace if required

## BEFORE STORAGE

Change engine oil - Clean machine - Lubricate as per required

## EVERY 5 HOURS

Check engine oil level, adjust if required  
Check engine air cleaner foam pre-cleaner, service if req.  
Check engine rotating screen/finger guard, clean if required  
Check operation of safety switches, service if required  
Check engine air inlet console screen, clean if required

Check tyre pressures, adjust if required  
Check for loose fasteners, tighten if required  
Check cutting attachment cutter blades, bolts, nuts, housing and guards for wear or damage, replace if required

---

## 1 MONTH OR 5 HOURS which ever occurs first

Change engine oil  
Check engine air cleaner foam pre-cleaner, service if required  
Check engine rotating screen/finger guard, clean if required  
Check engine air inlet console screen, clean if required  
Check operation of safety switches, service if required  
Check tyre pressures, adjust if required

Check mowing attachment cutter blades, bolts, nuts, housing, and guards for damage, replace if required  
Check drive levers, adjust if required  
Check for loose fasteners, tighten if required

DATE / / HOURS.....DEALER.....

---

## 3 MONTH OR 25 HOURS which ever occurs first

Change engine oil if operating under heavy load or high ambient temperature  
Check engine air cleaner foam pre-cleaner, service if required \*  
Check engine rotating screen/finger guard, clean if required \*  
Check engine air inlet console screen, clean if required \*

Check operation of safety switches and replace if required  
Check tyre pressures, adjust if required  
Check mowing attachment cutter blades, bolts, nuts, housing and guards for wear or damage, replace if required  
Check for loose fasteners, tighten if required

\*Service more often under dusty conditions, or where air borne debris is present

DATE / / HOURS.....CUSTOMER.....

---

## 6 MONTH OR 50 HOURS which ever occurs first

Change engine oil if operating under heavy load or high ambient temperature  
Check engine air cleaner foam pre-cleaner, service if required \*  
Check engine rotating screen/finger guard, clean if required \*  
Check engine air inlet console screen, clean if required \*  
Check operation of safety switches and replace if required

Check tyre pressures, adjust if required  
Check mowing attachment cutter blades, bolts, nuts, disc/s, housing, and guards for wear or damage, replace if required  
Check for loose fasteners, tighten if required

\*Service more often under dusty conditions, or where air borne debris is present

DATE / / HOURS.....DEALER.....

---

## 9 MONTHS OR 75 HOURS which ever occurs first

Change engine oil if operating under heavy load or high ambient temperature  
Check engine air cleaner foam pre-cleaner, service if required \*  
Check engine rotating screen/finger guard, clean if required \*  
Check engine air inlet console screen, clean if required \*  
Check operation of safety switches and replace if required

Check tyre pressures, adjust if required  
Check mowing attachment cutter blades, bolts, nuts, housing and guards for wear or damage, replace if required  
Check for loose fasteners, tighten if required  
Check drive lever for smooth action, adjust if required

\*Service more often under dusty conditions, or where air borne debris is present

DATE / / HOURS.....CUSTOMER/DEALER.....



---

**12 MONTHS OR 100 HOURS which ever occurs first**

- |  |  |
|--|--|
| Change engine oil filter   | Check for loose fasteners, tighten if required   |
| Change engine oil  | Check operation of safety switches, service if required  |
| Check engine spark plug, clean, adjust, or replace if required   | Check tyre pressures, adjust if required   |
| If fitted clean engine exhaust spark arrester                    | Check mowing attachment cutter blades, bolts, nuts, housing and guards for wear or damage, replace if required |
| Check engine air cleaner foam pre-cleaner, service if required * | Check drive lever for smooth action, adjust if required  |
| Check engine air cleaner cartridge, service if required*         | Re-tension rear wheel retaining nut/s  |
| Clean engine cooling system*                                     | Check belts for wear or damage, replace if required  |
| Replace in-line fuel filter                                      |  |

\*Service more often under dusty conditions, or where air borne debris is present

DATE / / HOURS.....DEALER.....

---

**15 MONTHS OR 125 HOURS which ever occurs first**

- |   |  |
|---|--|
| Change engine oil if operating under heavy load or high ambient temperature | Check mowing attachment cutter blades, bolts, nuts, housing and guards for wear or damage, replace if required |
| Check engine air cleaner foam pre-cleaner, service if required *            | Check for loose fasteners, tighten if required   |
| Check engine rotating screen/finger guard, clean if required *              | Check belts for wear or damage, replace if required  |
| Check operation of safety switches and replace if required                  |  |
| Check tyre pressures, adjust if required                                    |  |

\*Service more often under dusty conditions, or where air borne debris is present

DATE / / HOURS.....CUSTOMER/DEALER.....

---

**18 MONTHS OR 150 HOURS which ever occurs first**

- |  |  |
|--|--|
| Change engine oil  | Check tyre pressures, adjust if required   |
| If fitted clean engine exhaust spark arrester                    | Check mowing attachment cutter blades, bolts, nuts, housing and guards for wear or damage, replace if required |
| Check engine air cleaner foam pre-cleaner, service if required * | Check belts for wear or damage, replace if required  |
| Check engine rotating screen/finger guard, clean if required *   | Check drive lever for smooth action, adjust if required  |
| Check engine air inlet console screen, clean if required *       | Check for loose fasteners, tighten if required   |
| Check operation of safety switches, service if required          |  |

\*Service more often under dusty conditions, or where air borne debris is present

DATE / / HOURS.....DEALER.....

---

**21 MONTHS OR 175 HOURS which ever occurs first**

- |   |  |
|---|--|
| Change engine oil if operating under heavy load or high ambient temperature | Check tyre pressures, adjust if required   |
| Check engine air cleaner foam pre-cleaner, service if required *            | Check mowing attachment cutter blades, bolts, nuts, housing and guards for wear or damage, replace if required |
| Check engine rotating screen/finger guard, clean if required *              | Check for loose fasteners, tighten if required   |
| Check operation of safety switches and replace if required                  |  |

\*Service more often under dusty conditions, or where air borne debris is present

DATE / / HOURS.....CUSTOMER/DEALER.....

---

**24 MONTHS OR 200 HOURS which ever occurs first**

- |  |  |
|--|--|
| Replace engine oil filter  | Check mowing attachment cutter blades, bolts, nuts, housing and guards for wear or damage, replace if required |
| Change engine oil  | Check belts for wear or damage, replace if required  |
| Check engine spark plug, clean, adjust, or replace if required   | Check drive lever for smooth action, adjust if required  |
| If fitted clean engine exhaust spark arrester                    | Check for loose fasteners, tighten if required   |
| Check engine air cleaner foam pre-cleaner, service if required * |  |
| Check engine air cleaner cartridge, service if required          |  |
| Clean engine cooling system*                                     |  |
| Check operation of safety switches, service if required          |  |
| Check tyre pressures, adjust if required                         |  |

\*Service more often under dusty conditions, or where air borne debris is present

DATE / / HOURS.....DEALER.....

---

---

**27 MONTHS OR 225 HOURS which ever occurs first**

Change engine oil if operating under heavy load or high ambient temperature	Check tyre pressures, adjust if required
Check engine air cleaner foam pre-cleaner, service if required *	Check mowing attachment cutter blades, bolts, nuts, housing and guards for wear or damage, replace if required
Check engine rotating screen/finger guard, clean if required *	Check for loose fasteners, tighten if required
Check operation of safety switches and replace if required	

\*Service more often under dusty conditions, or where air borne debris is present

DATE     /     /     HOURS.....CUSTOMER/DEALER.....

---

**30 MONTHS OR 250 HOURS which ever occurs first**

Change engine oil	Check mowing attachment cutter blades, bolts, nuts, housing and guards for wear or damage, replace if required
If fitted clean engine exhaust spark arrestor	Check belts for wear or damage, replace if required
Check engine air cleaner foam pre-cleaner , service if required *	Check drive lever for smooth action, adjust if required
Check engine rotating screen/finger guard , clean if required *	Check for loose fasteners, tighten if required
Check operation of safety switches, service if required	
Check tyre pressures, adjust if required	

\*Service more often under dusty conditions, or where air borne debris is present

DATE     /     /     HOURS.....DEALER.....

---

**33 MONTHS OR 275 HOURS which ever occurs first**

Change engine oil if operating under heavy load or high ambient temperature	Check tyre pressures, adjust if required
Check engine air cleaner foam pre-cleaner, service if required *	Check mowing attachment cutter blades, bolts, nuts, housing and guards for wear or damage, replace if required
Check engine rotating screen/finger guard, clean if required *	Check for loose fasteners, tighten if required
Check operation of safety switches and replace if required	

\*Service more often under dusty conditions, or where air borne debris is present

DATE     /     /     HOURS.....CUSTOMER/DEALER.....

---

**36 MONTHS OR 300 HOURS which ever occurs first**

Replace engine oil filter	Check operation of safety switches, service if required
Change engine oil	Check tyre pressures, adjust if required
Check engine spark plug, clean, adjust, or replace if required	Check mowing attachment cutter blades, bolts, nuts, housing and guards for wear or damage, replace if required
If fitted clean engine exhaust spark arrestor	Check belts for wear or damage, replace if required
Check engine air cleaner foam pre-cleaner , service if required *	Check drive lever for smooth action, adjust if required
Check engine air cleaner cartridge, service if required	Check for loose fasteners, tighten if required
Clean engine cooling system*	

\*Service more often under dusty conditions, or where air borne debris is present

DATE     /     /     HOURS.....DEALER.....



## COX INDUSTRIES WARRANTY POLICY

### NEW MOWER:

COX INDUSTRIES warrants in respect of each new ride-on mower sold, that for a period of two (2) years (Domestic use\*\*) or six (6) months Commercial/Contractors/Hire use\*\*\*) to the original purchaser from the date of purchase, COX INDUSTRIES or an authorised dealer will repair or replace free of charge any ride-on mower parts found to be defective in materials or workmanship under normal use and operating conditions provided that:

1. The mower has been properly and reasonably used, operated, maintained and regularly serviced as per the maintenance schedule during the warranty period.
2. The replacement or repair is performed by an authorised COX INDUSTRIES Dealer.

\*\* "Domestic/Consumer use" means the personal residential household (property use by the original retail purchaser).

\*\*\* "Commercial use" means all other uses, including income producing, rental, schools, government departments and charity operators.

### PARTS INSTALLED DURING NEW MOWER WARRANTY PERIOD:

Warranty coverage for parts installed during new mower warranty period shall consist of the remainder of the new mower warranty period or ninety (90) days, whichever ever is greater, provided the installation is performed by an authorised COX INDUSTRIES Dealer.

### ENGINE & TRANSAXLE:

The engine or transaxles in a new Mower is covered by the manufacturer of that specific engine or transaxle, not by COX INDUSTRIES. Refer to the engine owners manual for engine details.

### BATTERY:

The battery in a new mower is covered for a period of twelve (12) months by the battery supplier to the original purchaser from the date of purchase.

### WARRANTY SERVICE :

In the event of a need for warranty service contact your local authorised COX INDUSTRIES Dealer.

Date of purchase of machine must be given before warranty claim will be accepted for processing.

### WARRANTY REGISTRATION:

The warranty registration card must be completed by the dealer with the customer at the time of purchase and returned to COX INDUSTRIES or an authorised Dealer within 14 days.

### WARRANTY EXCLUSIONS:

- 1) The rental of another machine or related equipment while unit repairs are in progress.
- 2) Telephone, facsimile expenses or other related communication expenses.
- 3) Transportation and Insurance charges during transportation of failed unit or any part thereof.
- 4) The labour, parts, mechanical adjustments or lubricant costs which, in the judgement of COX INDUSTRIES or their authorised dealer, are made or should be made as standard maintenance according to the COX-INDUSTRIES maintenance schedule.
- 5) The replacement of normal maintenance parts such as (mower discs, blades, bolts and nuts, vee belts, bearings, chains and clutch cones) made in connection with normal maintenance services as opposed to manufacturing defects.
- 6) Any defect caused by alteration, modification, fitment of a non-genuine part or attachment not approved by COX INDUSTRIES.
- 7) Any defect caused by misuse, negligence, accidents or failure to carry out proper maintenance procedures.
- 8) Any defect caused by work carried out by other than an authorised dealer.
- 9) Damage caused by continued operation of the machine after it is known to be defective.
- 10) Damage caused by racing and similar activities or by overloading.

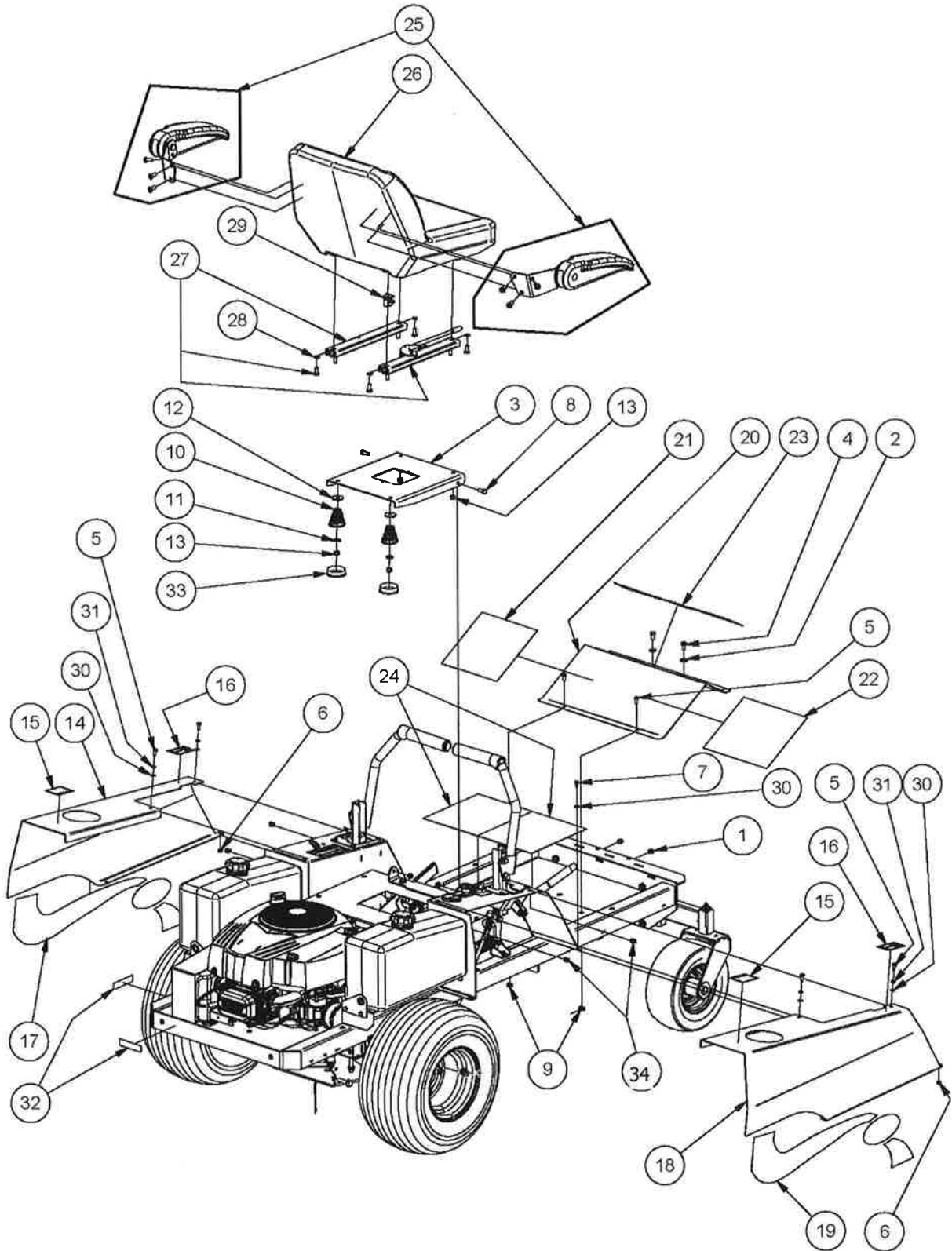
All implied warranties (save those preserved by statute) are excluded. Liability for consequential damages under any and all warranties are excluded to the extent exclusion is permitted by law.

To the extent that it is not prevented from doing so from statute, the manufacturer will not accept liability for costs of labour, postage, cartage or delivery to replace faulty materials or parts; or for any loss, damage or accident directly, indirectly, or consequently suffered by the purchaser, operator or any other person or property as a result of such faults whether due to defective materials or workmanship or otherwise

The careless or improper use of a machine of this type can be dangerous. The manufacturer or selling agent does not accept responsibility for accident either to the operator, to the owner or to any person directly or indirectly or to property if such accident is caused by circumstances arising other than by the negligence or default of COX INDUSTRIES.

**Due to COX Industries on-going commitment to product improvement, we reserve the right to change at any time, product specifications, configurations and company policies.**

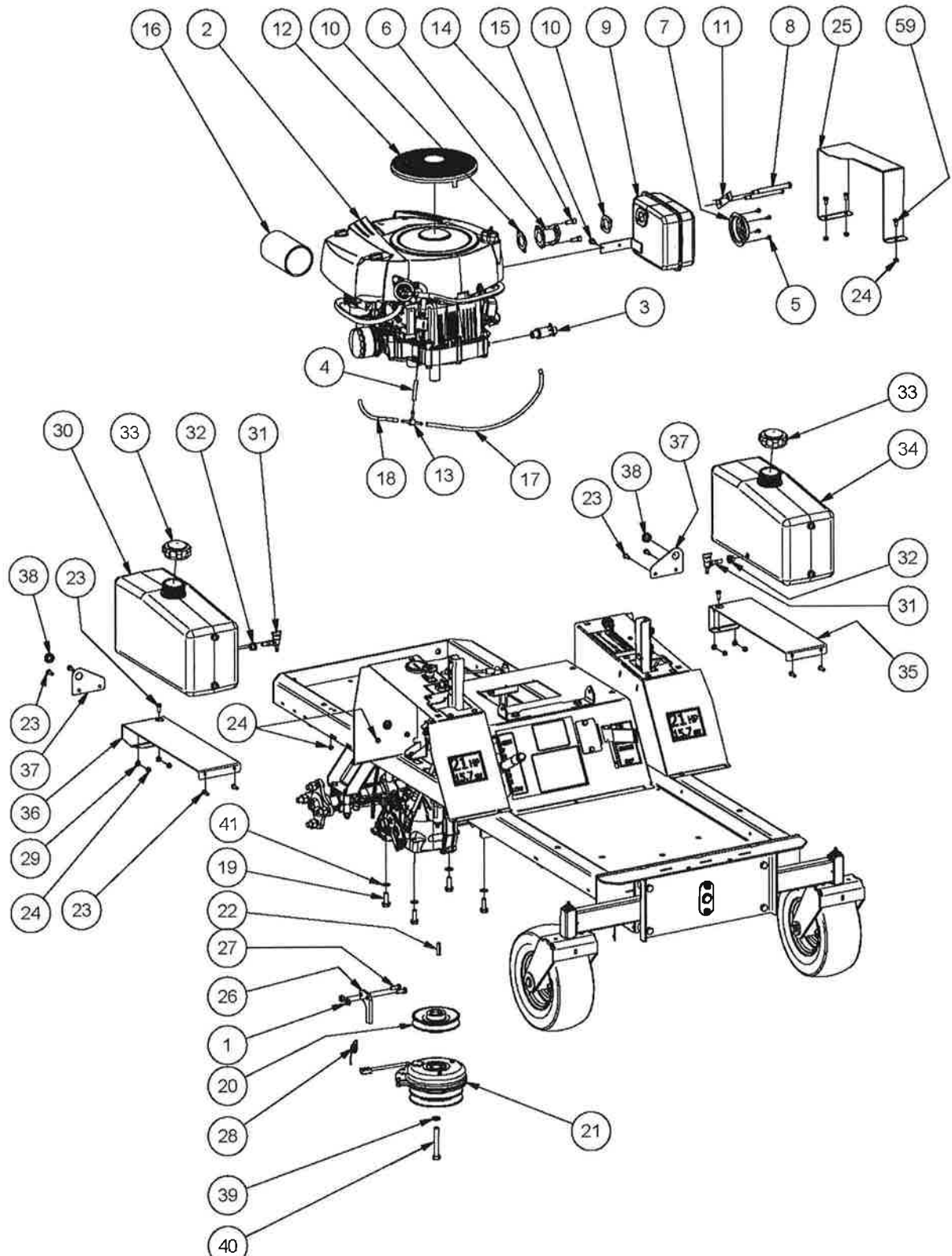
# BODY COMPONENTS



# BODY COMPONENTS

ITEM	PART NUMBER	DESCRIPTION	QTY
1	NM8NT	Nut	2
2	W051218	Washer, Flat	2
3	A120620R	Mount, Seat	1
4	SH0816M	Screw	2
5	SH0616M	Screw	6
6	NM6NT	Nut	2
7	SH0612M	Screw	2
8	B0820M	Bolt	2
9	NCM6x2.6x9.5	Nut, Cage	2
10	13060	Spring, Seat	2
11	W05M202	Washer, Flat	2
12	W052003	Washer, Flat	2
13	N05CN	Nut	4
14	A120510R	Mudguard, Left, Red	1
15	DEC08505K	Decal, Warning ,Fuel	1
16	DEC287	Decal, Direction	1
17	DEC291	Decal, Cruiser, Mudguard, Left	1
18	A120508R	Mudguard, Right, Red	1
19	DEC292	Decal, Cruiser, Mudguard, Right	1
20	A120574R	Footrest, Red	1
21	A120640	Non-Skid, Footrest	1
22	95068	Non-Skid, Platform	1
23	DEC293	Decal, Cruiser, Footrest	1
24	95068	Non-Skid, Platform	2
25	A120054	Kit, Armrest	1
26	A126050	Seat	1
27	A126052	Kit, Adjust, Seat	1
28	WS050216	Washer, Lock, Spring	4
29	SP1PNCSM	Switch, Plunger	1
30	W040818	Washer, Flat	6
31	WS040816	Washer, Lock, Spring	4
32	DEC135	Decal, Caution, Hot Muffler	2
33	14128	Cap, Seat Spring	2
34	NCM6X1.6X9.5	Nut, Cage	4

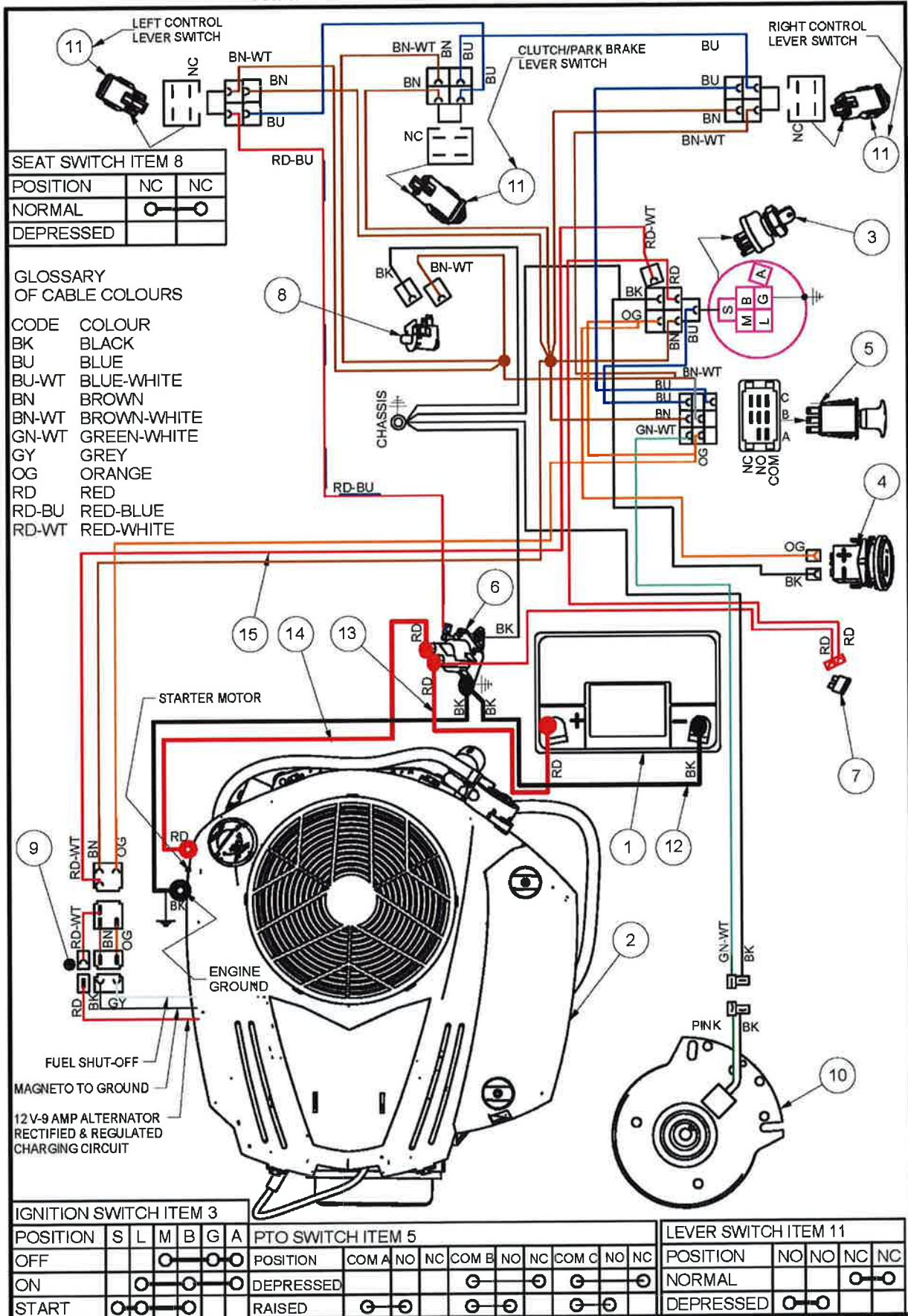
# ENGINE COMPONENTS



# ENGINE COMPONENTS

ITEM	PART NUMBER	DESCRIPTION	QTY
1	NM8NT	Nut	2
2		Engine	1
3	13206	Valve, Drain, Oil	1
4	A120531	Fuel Line, 50l	1
5	ST0806	Screw	4
6		Side Muffler Manifold	1
7		Side Muffler Deflector	1
8		Side Muffler Screw	2
9	69739	Muffler	1
10		Gasket B&S	2
11		Lock Plate	1
12	A120515	Guard, Debris, Screen	1
13	A120631	Fitting, Tee	1
14	CHSS0512C	Screw	2
15	STF0410	Screw	1
16	A139122	Pre Cleaner, Filter, Air	1
17	A120629	Fuel Line, 360l	1
18	A120630	Fuel Line, 200l	1
19	STF0618	Screw	4
20	A120514	Pulley, Engine	1
21	A120516	Clutch/Brake, Elec magnet	1
22	AM175	Key	1
23	SH0616M	Screw	10
24	NM6NT	Nut	8
25	A120645	Shield, Heat, Muffler	1
26	A120595Z	Tang, Clutch	1
27	SH0820M	Screw	6
28	AM183	Spring, Extension	1
29	W040818	Washer, Flat	4
30	A120660	Tank, Fuel, 11 L, Right	1
31	AM293	Petrol Tap	2
32	AM294	Grommet	2
33	CF01	Cap, Fuel	2
34	A120661	Tank, Fuel, 11 L, Left	1
35	A120672R	Mount, Tank, Fuel, Red, Left	1
36	A120670R	Mount, Tank, Fuel, Right, Red	1
37	A120667Z	Holder, Tank, Fuel	2
38	80037	Grommet	2
39	WS071006	Washer, Lock, Spring	1
40	B0748F	Bolt	1
41	W06S	Washer, Lock, Int Tooth	4

# WIRING DIAGRAM MODEL A12011H

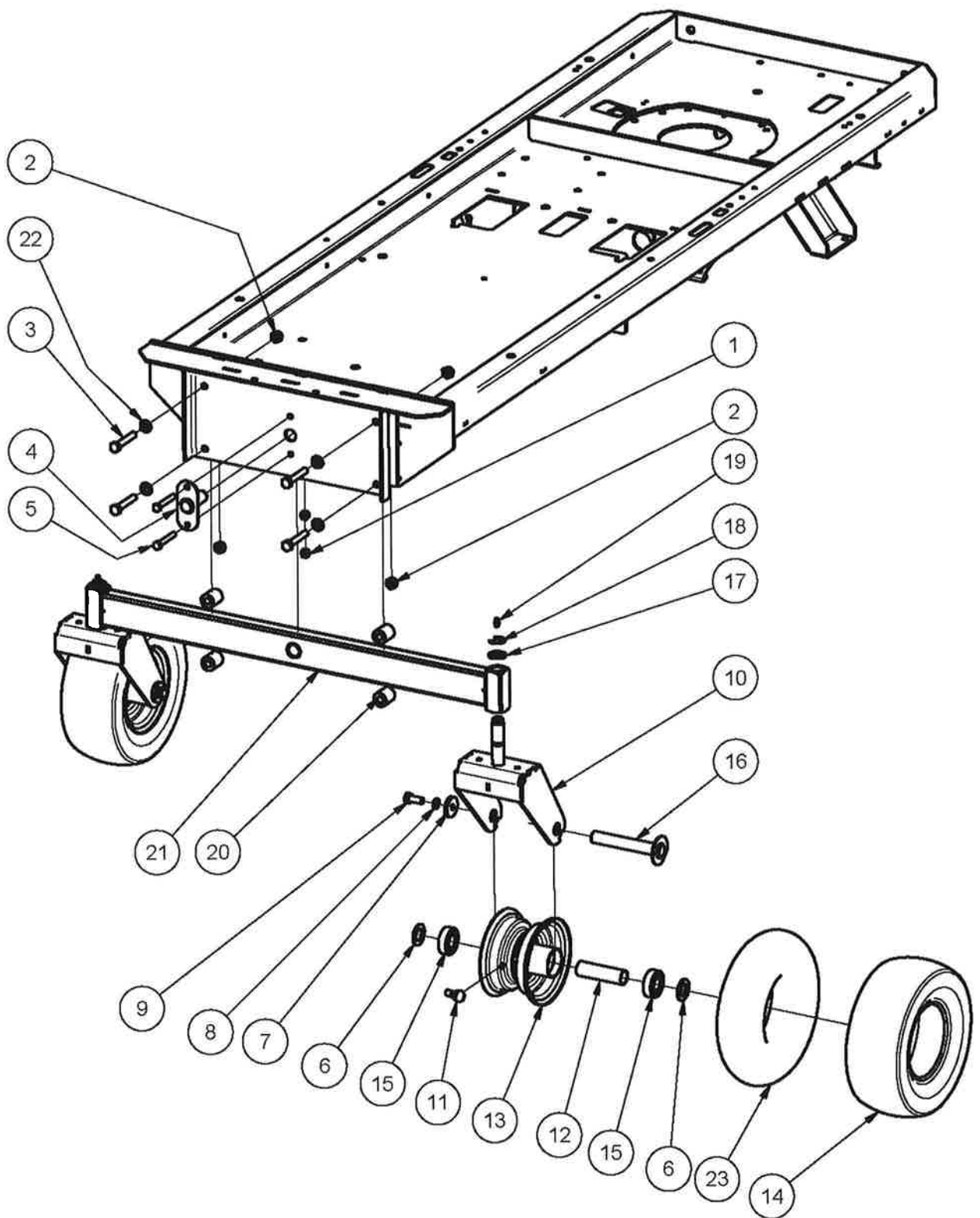




# WIRING DIAGRAM

ITEM	PART NUMBER	DESCRIPTION	QTY
1		Battery (Purchase Locally)	1
2		Engine	1
3	13125	Switch, Key	1
4	AM211	Hour Meter	1
5	A102136	Switch, Pto	1
6	AM159	Solenoid	1
7		Fuse, Blade, 15amp, Blue	1
8	SP1PNCSM	Switch, Plunger	1
9	13112	Harness, Wiring, Engine	1
10	A120516	Clutch/Brake, Elec magnet	1
11	SP2PNONCSM	Switch, Plunger	3
12	15235	Lead, Battery, Black	1
13	A120527	Lead, Battery, Red, L=150	1
14	89092	Lead, Battery, Red, L=295	1
15	A120526C	Harness, Wiring, Main	1
	A102190	Ring, Retainer, Switch, Pto	1
	14130	Cover, Battery Terminal	3
	CSP2SM	Cover, Switch, Plunger	3
	AM015	Key, Switch	1
	SH0616M	Screw	2
	NHM6	Nut	2
	N04C	Nut	2
	SH0616M	Screw	3
	NM6NT	Nut	3
	SH0510C	Screw	1
	WS050216	Washer, Lock, Spring	1
	W051016	Washer, Flat	1

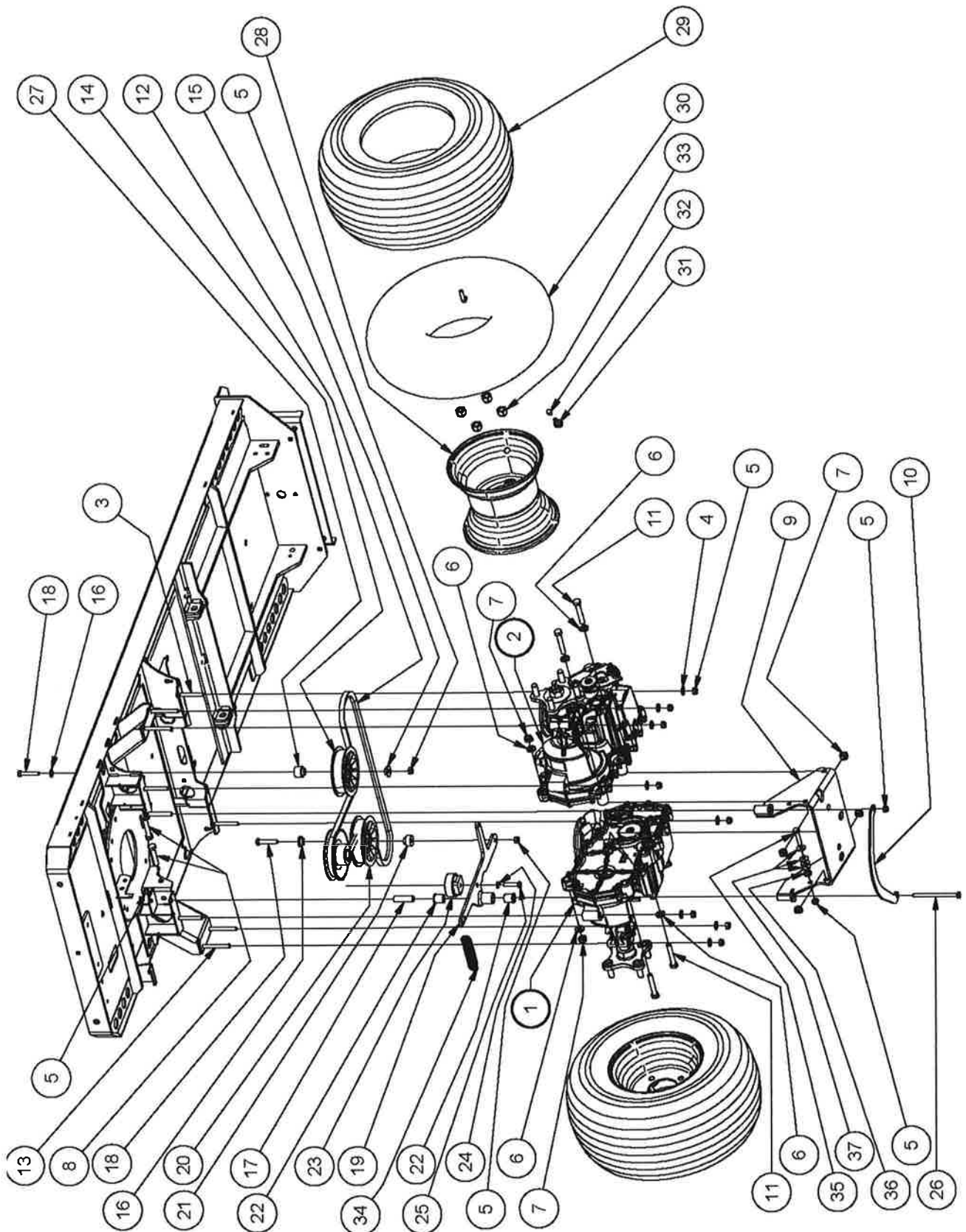
# FRONT AXLE COMPONENTS



## FRONT AXLE COMPONENTS

ITEM	PART NUMBER	DESCRIPTION	QTY
1	NM8NT	Nut	2
2	NM10NT	Nut	4
3	B1060M	Bolt	4
4	A120593Z	Pin, Front Axle Pivot	1
5	B0860M	Bolt	2
6	W20MN	Washer, Flat	4
7	W103506	Washer, Flat	2
8	WSM10X3.7X2.5	Washer, Lock, Spring	2
9	SH1025M	Screw	2
10	A120588Z	Fork, Caster	2
11	VSS	Valve, Tubeless	2
12	A120520	Sleeve, Spacer, Bearing	2
13	A120518S	Rim, Wheel	2
14	A120521	Tyre, Tubeless	2
15	BB204714NN	Bearing, Ball	4
16	A120609Z	Axle, Wheel	2
17	AM336	Washer, Sealing, Shaft	2
18	C02	Circlip	2
19	GNTF3	Nipple, Grease	2
20	A120605Z	Spacer, Front Axle Cheek Plate	4
21	A120523R	Beam, Axle, Caster	1
22	W10M	Washer	4
23	STU350x5	Tube (Optional)	1

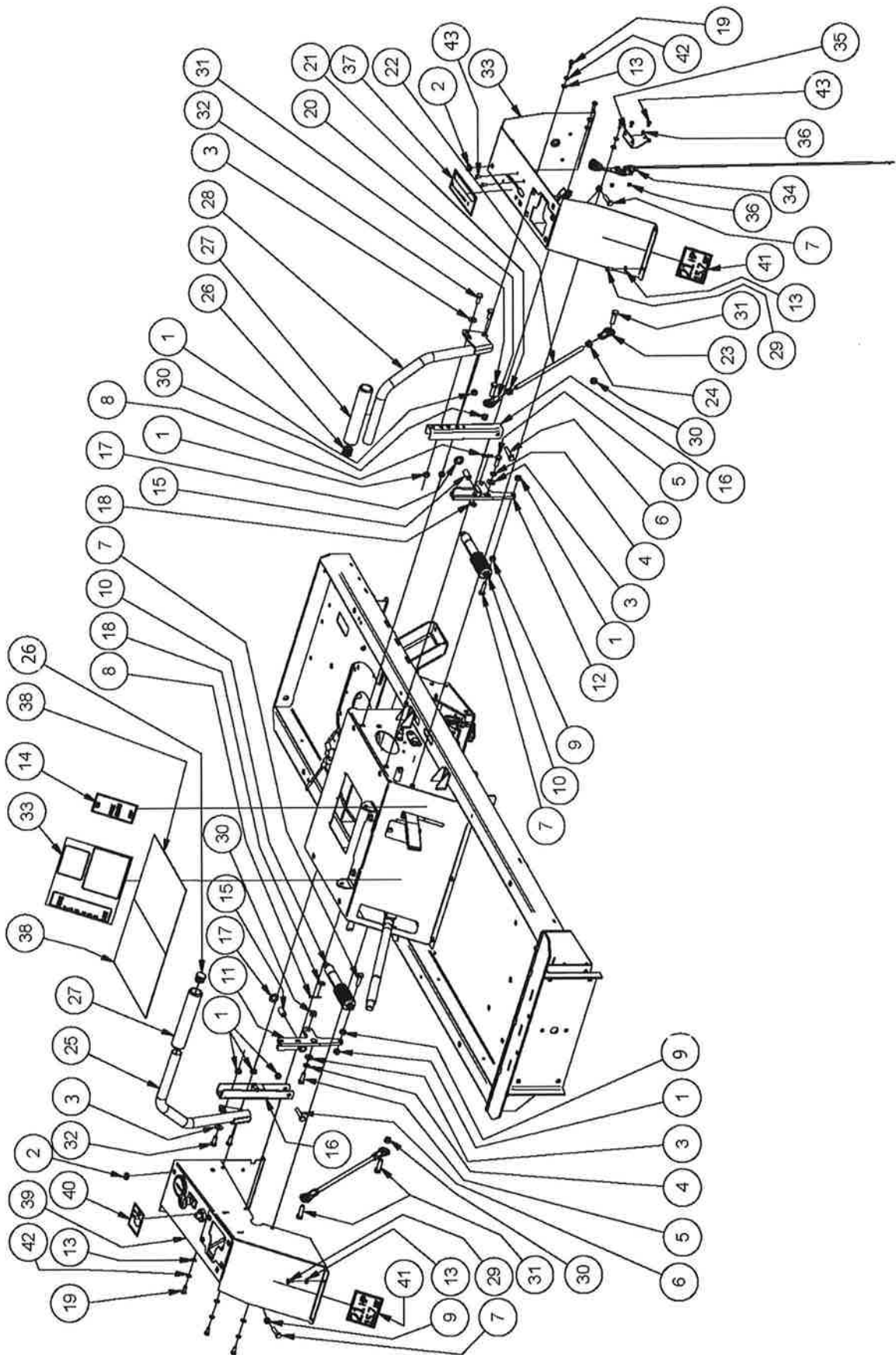
# DRIVE COMPONENTS



## DRIVE COMPONENTS

ITEM	PART NUMBER	DESCRIPTION	QTY
1	A120535	Sub-Assy, Transmission, Left	1
2	A120536	Sub-Assy, Transmission, Right	1
3	B0860M	Bolt	5
4	W051216	Washer	8
5	NM8NT	Nut	12
6	W102003M	Washer	6
7	NM10NT	Nut	6
8	B1050M	Bolt	2
9	A120576R	Brace, Transmission	1
10	A120578R	Protector, Clutch	1
11	B1060M	Bolt	4
12	V57	Belt, V	1
13	B0870M	Bolt	4
14	PIFBB02	Idler, Flat	1
15	14025	Boss, Idler	2
16	W051218	Washer	1
17	14070	Sleeve, Pivot, Drive Belt Tensioning Arm	1
18	B0845M	Bolt	2
19	A120625Z	Arm, Tensioner, Belt, Hydro	1
20	PIFBB02	Idler, Flat	1
21	A102125Z	Boss, Idler	1
22	A120685	Bush, Pivot	2
23	A120683Z	Guide, Belt	1
24	WS050216	Washer, Lock, Spring	1
25	B0835M	Bolt	1
26	B08110M	Bolt	1
27	15176	Boss, Idler	1
28	A120534S	Rim	2
29	TT850X8	Tyre	2
30	STU850X8	TUBE (Optional)	2
31	TR412	Valve, Tubeless	2
33	NHWF08	Nut, Hex, Wheel	8
34	AM040	Spring Extension	1
35	B0840M	Bolt	1
36	NHM8	Nut	1
37	W05M202	Washer	4

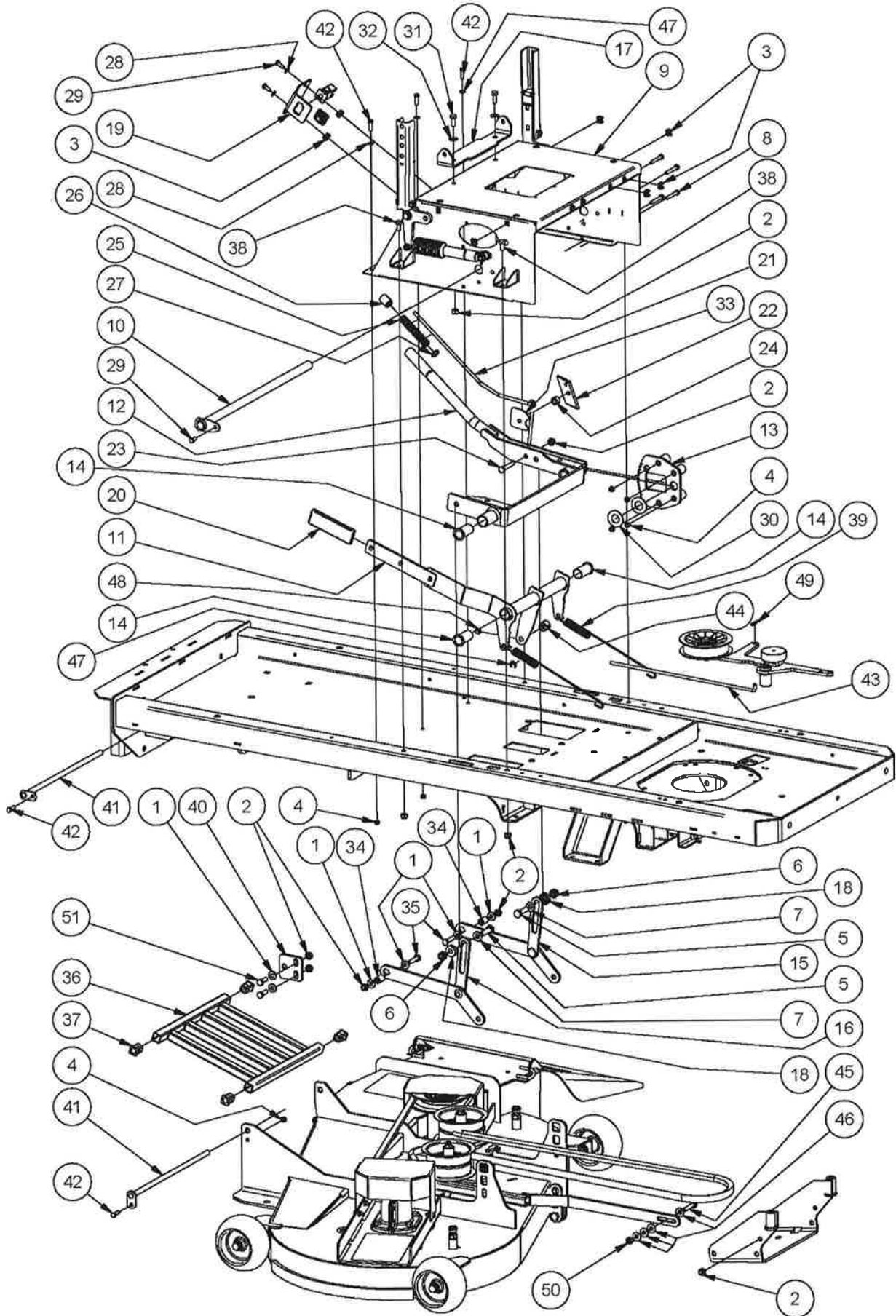
# DRIVE CONTROL COMPONENTS



# DRIVE CONTROL COMPONENTS

ITEM	PART NUMBER	DESCRIPTION	QTY
1	NM8NT	Nut	8
2	NCM6X1.6X9.5	Nut, Cage	4
3	W05M202	Washer	4
4	WS050216	Washer, Lock, Spring	2
5	SH0825M	Screw	2
6	B0840M	Bolt	2
7	B0830M	Bolt	4
8	RP01	Pin, 'R'	2
9	NHM8	Nut	2
10	A120127	Damper	2
11	A120553Z	Lever, Control, Right	1
12	A120555Z	Lever, Control, Left	1
13	W040818	Washer	8
14	DEC289	Decal, Park Brake	1
15	A120663Z	Bush, Pivot, Lever, Control	2
16	A120551Z	Link, Lever, Control	2
17	WW0816	Wave Washer	2
18	W08MN	Washer	2
19	SH0616M	Screw	6
20	AM020	End, Rod	2
21	N06F	Nut	2
22	A120573Z	Rod, Control, Drive	2
23	RE38LHINT	End, Rod	2
24	N06FLH	Nut	2
25	A120584R	Lever, Control, Right, Red	1
26	A120522	Plug	2
27	A120616	Grip, Hand	2
28	A120586R	Lever, Control, Left, Red	1
29	SH0612M	Screw	2
30	N06CN	Nut	4
31	B0620C	Bolt	4
32	SH0820M	Screw	4
33	A120537R	Console, Left, Red	1
34	A120570	Control, Throttle	1
35	A120603Z	Bracket, Control, Throttle	1
36	NM5NT	Nut	4
37	DEC290	Decal, Control, Speed, Engine	1
38	95068	Non-Skid, Platform	2
39	A120539R	Console, Right, Red	1
40	DEC286	Decal, Ignition	1
41	DEC294	Decal, Front, Mudguard, 21hp	1
42	WS040816	Washer, Lock, Spring	7
43	BHSSM5X12	Screw	4

# CUTTER CONTROL & PARK BRAKE COMPONENTS

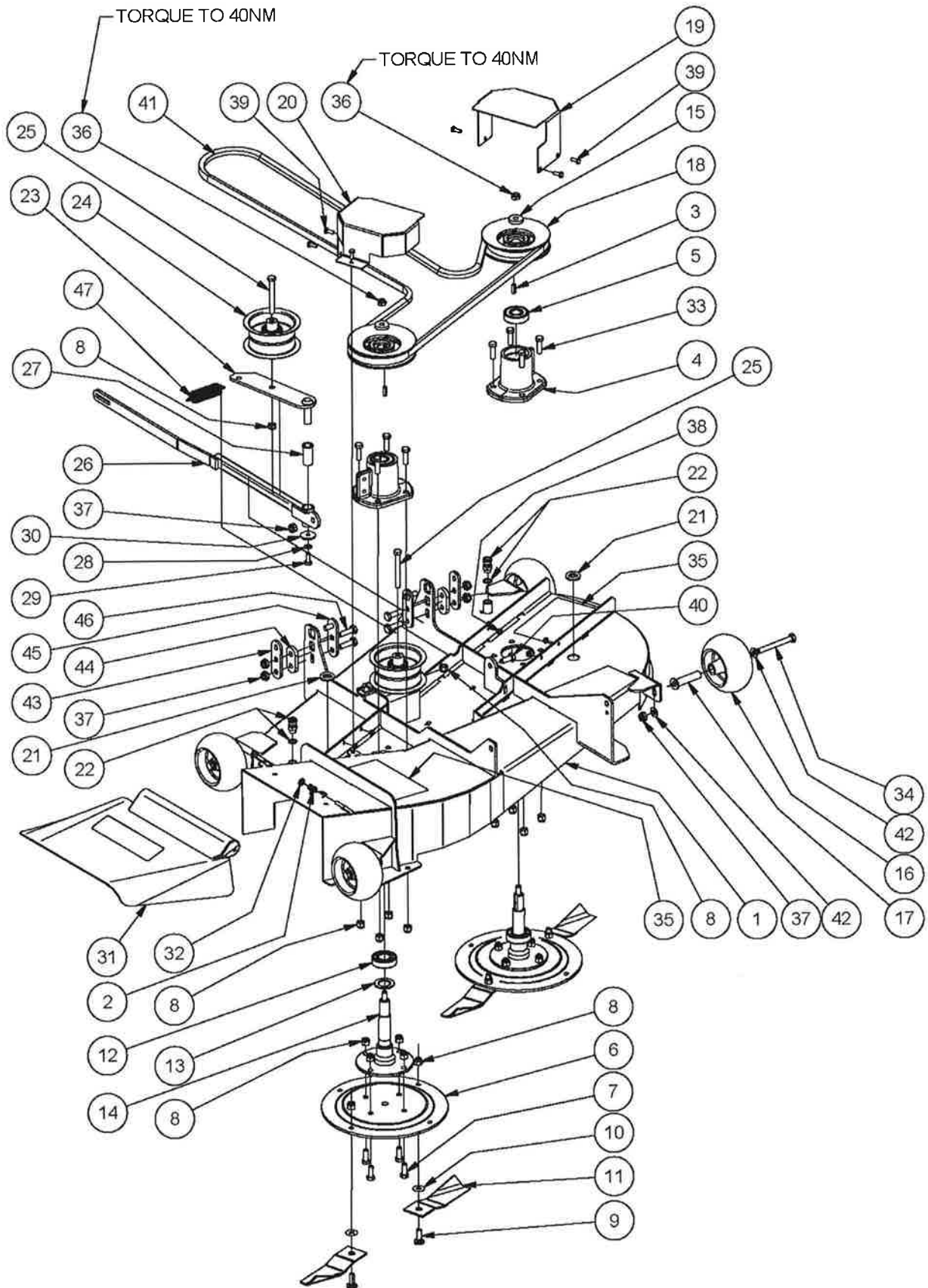




## CUTTER CONTROL & PARK BRAKE COMPONENTS

ITEM	PART NUMBER	DESCRIPTION	QTY
1	W051216	Washer	6
2	NM8NT	Nut	11
3	NCM6X1.6X9.5	Nut, Cage	12
4	NM6NT	Nut	9
5	B1035M	Bolt	2
6	NM10NT	Nut	2
7	W10MN	Washer	2
8	B0645M	Bolt	4
9	A120504R	Housing, Linkage	1
10	A120561Z	Pin, Pivot	1
11	A120506Z	Lever, Actuating, Brake, Park	1
12	A120541R	Lever, Adjusting, Height	1
13	A120543Z	Ratchet, Adjusting, Height	1
14	13012	Bush, Flanged	5
15	A120545Z	Arm, Suspension, Right, Cutter	1
16	A120547Z	Arm, Suspension, Left, Cutter	1
17	A120549R	Bracket, Pivot, Mount, Seat	1
18	A120565Z	Bush, Pivot, Link, Suspension, Cutter	2
19	A120557R	Bracket, Switch, Park Brake	1
20	AM009	Hand Grip	1
21	A120655Z	Rod, Push, Disengaging	1
22	AM011	Ht Adj Pawl	1
23	B0845M	Bolt	1
24	A120643Z	Spacer, Pawl, Adjustment, Height	1
25	AM012	Height Adjustment Pawl Push Rod Spring	1
26	AM013Q2	Ht Adjustment Pawl Push Rod Button	1
27	A120659	Washer	1
28	W040818	Washer	5
29	SH0616M	Screw	3
30	W122414	Washer	2
31	SH0820M	Screw	2
32	W051218	Washer	2
33	A120681Z	Washer, Stop	1
34	A120619Z	Bush, Pivot, Suspension, Deck	2
35	B0835M	Bolt	2
36	A120622R	Link, Drag, Attachment, Mowing	1
37	AM230	Bush - Plastic	4
38	SH0816M	Screw	4
39	A120642	Spring, Extension	2
40	A120601Z	Plate, Levelling, Cutter	1
41	13016	Pin	2
42	SH0620M	Screw	5
43	A120581Z	Rod, Park Brake	1
44	A120628Z	Trunnion, Clutch	1
45	B0840M	Bolt	1
46	W05M202	Washer	4
47	C03	Circlip	1
48	N04CN	Nut	1
49	RP01	Pin, 'R'	1
50	NHM8	Nut	1
51	SH0825M	Bolt	2

# CUTTER DECK COMPONENTS



# CUTTER DECK COMPONENTS

ITEM	PART NUMBER	DESCRIPTION	QTY
1	A121501R	Deck, Cutter	1
2	A100003	Spring, Torsion, Deflector	1
3	A100025	Key	2
4	A100015B	Housing, Bearing	2
5	BB205215NS	Bearing, Ball	2
6	14085	Disc, Cutter	2
7	SH0616C	Screw	8
8	NF06CN	Nut	12
9 & 10	SKIT01D1	Blade Bolt, Nut & Washer Set	2
11	SMB150A	Blade, Mower (Pr)	2
	SKIT33	Blades, Bolts, Nut & Washers Set	2
12	BB255215NN	Bearing, Ball	2
13	A100021Z	Washer, Flat	2
14	A113019	Spindle, Flanged, Cutter	2
15	13247	Washer, Flat	2
16	A121503	Wheel	4
17	A121504Z	Sleeve, Roller, Deck, Cutter	4
18	A121506	Pulley, Cutter , Ci	2
19	A121507R	Cover, Left, Red	1
20	A121510R	Cover, Right, Red	1
21	A121512	Grommet	2
22	A121513	Adaptor, Spray, Water	2
23	A121516Z	Arm, Tensioner, Belt, Cutter	1
24	PIFBB04	Idler, Flat	2
25	B0652C	Bolt	2
26	A121514Z	Link, Arm, Tensioner	1
27	AM017C1	Steering Shaft Bush With Collar	1
28	WS050216	Washer, Lock, Spring	1
29	SH0820M	Screw	1
30	W052003	Washer, Flat	1
31	AM259	Deflector	1
32	AM274	Fastener, Pushon	1
33	B0620C	Bolt	8
34	B1090M	Bolt	4
35	DEC116	Decal, Danger, Mowing Attachment	2
36	NHCM10	Nut	2
37	NM10NT	Nut	8
38	NM6NT	Nut	6
39	SH0616M	Screw	6
40	SH1025M	Screw	1
41	V58	Belt	1
42	W10MN	Washer, Flat	8
43	A120597Z	Plate, Link, Suspension, Cutter	2
44	A120599Z	Spacer, Clamp, Mounting, Cutter	2
45	A120638Z	Link, Suspension, Cutter	2
46	B1035M	Bolt	4
47	AM145	Spring, Extension	1



## **Cox Industries (Australia) Pty Ltd**

**70 Landseer Street  
Acacia Ridge Qld 4110  
P.O. Box 6266DC Acacia Ridge Q 4110  
Australia  
PH 07 3323 2222 FAX 07 3344 6233**

Web Site Address: [www.coxmowers.com.au](http://www.coxmowers.com.au)

Email: [sales@cox-mowers.com.au](mailto:sales@cox-mowers.com.au)