



# STOCKMAN 4500

LIVE AXLE DRIVE



## RIDE-ON MOWER

OWNER/OPERATORS MANUAL

**Model A16816E & A16816F**

**Live Axle Drive**

CS45L20B35-14.9Kw (20hp) Briggs & Stratton 890mm (35") Cut

CS45L20B42-14.9Kw (20hp) Briggs & Stratton 1055mm (42") Cut

READ THIS MANUAL BEFORE OPERATING MACHINE

DEATH, PERSONAL INJURY AND/OR PROPERTY DAMAGE MAY OCCUR UNLESS INSTRUCTIONS IN THIS MANUAL ARE FOLLOWED

NOTE: Bring this Manual when Service & or Warranty work is required.

# OWNERS INFORMATION

COX MODEL NO: \_\_\_\_\_

COX INVENTORY CODE NO: \_\_\_\_\_

COX SERIAL NO: \_\_\_\_\_

Located on Label inside Transmission Housing

B&S ENGINE MODEL NO: \_\_\_\_\_ TYPE: \_\_\_\_\_ CODE: \_\_\_\_\_

Located on Engine refer Engine Owners Manual

DATE OF PURCHASE: \_\_\_\_\_

OWNERS NAME: \_\_\_\_\_

ADDRESS: \_\_\_\_\_

\_\_\_\_\_

TOWN/CITY: \_\_\_\_\_ STATE: \_\_\_\_\_

\_\_\_\_\_

\_\_\_\_\_

AUTHORISED COX DEALER/  
DISTRIBUTOR: \_\_\_\_\_

\_\_\_\_\_

ADDRESS: \_\_\_\_\_

\_\_\_\_\_

TOWN/CITY: \_\_\_\_\_ STATE: \_\_\_\_\_

\_\_\_\_\_

\_\_\_\_\_

## PRE DELIVERY CHECK LIST

Check parts  Assemble  Service  Instruction

**ALWAYS KEEP THIS MANUAL IN A SAFE PLACE.**

---

# SAFETY INSTRUCTIONS

- Read, understand, & follow all instructions in the Owner/Operators manual.
- Know the controls and how to stop the engine quickly in an emergency.
- Allow only responsible adults, who are familiar with the instructions in this manual, to operate the machine.
- Clear the area to be mowed of loose objects such as sticks, stones, bones, wire, toys, debris, etc., which could be picked up and thrown by the blades.
- DO NOT mow whilst people, especially children, or pets are in the mowing area.
- DO NOT mow either direction on slopes beyond 15 degrees, (1 in 3.75), (27%).
- Exercise extreme caution on slopes.
- Reduce speed on slopes and in sharp turns to prevent overturning or loss of control.
- Start or stop slowly when on slopes.
- Mow up and down slopes, not across the slope.
- Stay alert for holes or bumps in the terrain and other hidden hazards.
- Use care when pulling loads-
  - a] Use only approved hitch point;
  - b] limit loads to those you can safely control;
  - c] Do not turn sharply;
  - d] use care when backing up.
- Watch out for traffic when crossing or operating the mower near roadways.
- Stop the blades rotating before crossing surfaces other than grass.
- When using attachments, never direct discharge of material toward bystanders nor allow anyone near the machine while it is in operation.
- Before leaving the operators position-
  - a] Disengage all clutches and secure cutting units;
  - b] Return drive pedal to neutral position and set the parking brake;
  - c] Stop the engine and remove the key.
- Disengage drive to attachments and stop engine-
  - a] Before refueling.
  - b] Before removing grass-catcher;
  - c] Before clearing blockages from chute;
  - d] Before checking, cleaning or working on the mower;
  - e] After striking a foreign object (check the mower for damage and make repairs before restarting and operating the equipment);
  - f] If machine starts to vibrate abnormally (check immediately).
- Disengage drive to attachments when transporting or not in use.
- A mower operator should be in good physical and mental health and not under the influence of alcohol or any drug which might impair vision, co-ordination or judgment.
- Never mow while barefoot or wearing open sandals or thongs. Wear long trousers and heavy shoes.
- It is advisable to wear suitable eye protection when operating a mower.
- Mow only in daylight or good artificial light.
- Before using, always visually inspect to see that blades, bolts and cutter assembly are not worn or damaged. Replace worn or damaged blades and bolts in sets to preserve balance.
- Check all nuts, bolts, and screws often; always be sure the mower is in safe operating condition.
- Keep safety devices (guards and switches) in place and in working order.
- Never use the mower unless the grass catcher, or guards provided by the manufacturer, are in position.
- Ensure any replacement parts used comply with the original manufacture's recommendations and specifications.
- Replace worn or faulty silencers.
- Keep machine free of grass, leaves or other debris, excessive oil, grease, or spilt fuel. These can be a fire hazard.
- Refuel outdoors only. Do not smoke while fueling engine. Never remove the cap of the fuel tank or add petrol while the engine is running or the engine is hot. Remove fuel cap slowly to relieve any tank pressure. If fuel is spilled, do not attempt to start the engine but move machine away from the area of the spill and avoid creating any source of ignition until fuel vapors have dissipated.
- Check for fuel leaks while refueling, before and while using the mower. If a fuel leak is found, do not start or run the engine until the fuel leak is fixed and spilled fuel is wiped away.
- Do not operate engine in a confined space where exhaust fumes (carbon monoxide) can collect.
- Always mount the mower from the left or the opposite side to the discharge chute.
- Start the engine carefully with the cutting means disengaged.
- Do not over-speed the engine or alter governor settings. Excessive speed is dangerous and shortens mower life.
- Stop the engine whenever you leave the mower, even for a moment.
- Store the mower in a well-ventilated room away from naked flames such as may be found in hot water heaters.
- Do not lend or sell the mower, without the owners/operators Manual.

# INTRODUCTION

**THANK YOU, for purchasing a COX Live Drive, STOCKMAN 4500 Ride-on Mower.  
Proudly Manufactured by Cox Industries (Australia) Pty. Ltd..**

**READ THIS MANUAL** carefully to learn how to operate safely and maintain your Ride-on Mower effectively.

Failure to follow Safety, Operating or Maintenance instructions in this manual could result in Death, Personal Injury or Equipment Damage.

**THIS MANUAL IS PART OF YOUR RIDE-ON MOWER** and should be supplied with this Ride-on Mower if you lend or sell this Ride-on Mower. This should also apply to the Engine Owners Manual.

## CONVENTIONS

Measurements in this manual are given in metric units unless otherwise stated.

Right-hand and Left-hand, are determined by facing the direction of forward travel.

Direction of rotation is determined by looking into the components in motion parallel to the axis of rotation.

## WRITE PRODUCT IDENTIFICATION NUMBERS

in the Owners Information Section of this manual. Accurately recording these numbers will assist your Cox Dealer when ordering spare parts or help in tracing the Ride-on Mower if it should be stolen. Store this manual in a secure place remote from the Ride-on Mower.

**ENSURE YOU UNDERSTAND THE WARRANTY POLICY** with regard to the responsibilities of operation, maintenance and ownership of this COX STOCKMAN Ride-on Mower.

**THE INTENDED USE OF THIS RIDE-ON MOWER** is for customary mowing of Landscaped Parks, Gardens, Grounds, Sporting Fields, Road Verges, Golf Course Fairways, Orchards, Plantations, and Vineyards.

Strict adherence to the conditions of Operation, Maintenance, Service & Repair as specified by the manufacturer constitute essential elements for The Intended Use.

Use in any other way not specifically approved directly in righting by the manufacturer is considered as contrary to the intended use and will increase the risk of personal injury or property damage and is therefore considered as misuse for which the manufacturer accepts no responsibility as these increased risks must be accepted solely by the user.

**Do Not Modify the Machine** without direct specific approval by the manufacturer as modification is considered contrary to the intended use and will increase the risk of personal injury or property damage and is therefore

considered as misuse for which the manufacturer accepts no responsibility as these increased risks must be accepted solely by the user.

**OPERATION, MAINTENANCE, SERVICE AND REPAIR** of this Ride-on Mower should be performed only by persons familiar with its characteristics and acquainted with the relevant Safety, Operating and maintenance instructions in this manual, as well as all relevant Statutory Regulations in force at the place and time.

When your Ride-on Mower needs service or repair please remember your **Cox Dealer is an industry trained professional** who is supported by the personnel of the Sales and Marketing, Engineering, Production, Procurement, Parts Distribution, & Service Sections of the Manufacturer and is dedicated to your satisfaction.

**THE INFORMATION INCLUDED IN THIS MANUAL** was considered correct at the time of approval for printing. Cox Industries (Australia) Pty Ltd reserves the right to change specifications or designs without notice or obligation.

---

## GENERAL SAFETY INSTRUCTIONS

### Training

**Read, understand and follow** all instructions in the Ride-on Mower and Engine Owner's/Operator's Manual as well as on Machine Safety Signs.

**Keep up to date with and follow** all relevant statutory regulations in force at the place and time with regard to ownership, transport, operation, maintenance, service, and repair, disposal or sale of this machine.

**Know the controls and the proper use of the Equipment** as well as how to stop the Mowing Attachment, Machine Travel, and the Engine in an emergency.

**All operators or users should seek and obtain professional and practical instruction.**

Such instruction should emphasize:

The need for concentration when working with ride-on machines.

Control of a ride-on machine sliding on a slope will not be regained by application of the brake.

The main reasons for loss of control are:

- i) Insufficient wheel grip;
- ii) Being driven to fast;
- iii) Inadequate braking;
- iv) The type of machine is unsuitable for the task;

v) Lack of awareness of the effect of ground conditions, especially slopes;

vi) Incorrect hitching and load distribution.

**Never allow** children or people unfamiliar with these instructions to operate the Ride-on Mower.

**Never carry passengers.**

**Never mow** while people, especially children, or unrestrained animals are nearby.

**Keep in mind** that the operator or user is responsible for accidents or hazards occurring to other people or their property caused by this machine.

## GENERAL SAFETY INSTRUCTIONS CONT.

### Preparation

**While operating**, always wear substantial footwear (not open sandals) and long trousers.

**Thoroughly inspect the area** where the equipment is to be used and remove all objects which can be thrown by the machine.

**WARNING – Petrol is highly flammable:**

- i) Store fuel in containers specifically designed for this purpose;
- ii) Refuel outdoors only;
- iii) Do not smoke while refuelling;
- iv) Add fuel before starting the engine;
- v) Never remove the cap of the fuel tank or add petrol while the engine is running or when the engine is hot;
- vi) If petrol is spilled, do not attempt to start the engine but move the machine away from the area of spillage and avoid creating any source of ignition until petrol vapours have dissipated;
- vii) Replace all fuel tank caps and container caps securely.

**Replace faulty Mufflers.**

**Before using**, always visually inspect to see that the cutter assembly, blades, and blade bolts are not worn or damaged.

**Replace worn or damaged blades and bolts** in sets to preserve balance.

**Take care rotating one blade by hand** as this can cause other blades to rotate.

### Operation

**Do not operate the engine** in a confined space where dangerous carbon monoxide fumes can collect.

**Operate the machine only in daylight** or in good artificial light.

**Before attempting to start the engine**, disengage Power take off Clutch and depress clutch/brake pedal to ensure drive is disengaged to the transmission.

**Do not use on slopes of more than 15 degrees (1 in 3.75 or 27%).**

**There is no such thing as a safe slope.**

**Travel on grass slopes requires particular care.**

**To guard against overturning:**

- i) Do not stop or start suddenly when going up or downhill;

- ii) Engage hydrostatic drive slowly;
- iii) Always keep hydrostatic drive operating, especially when travelling downhill;
- iv) Machine speeds should be kept low on slopes and during tight turns;
- v) Stay alert for humps and hollows and other hidden hazards;
- vi) Never mow across the face of the slope.

**Use care when pulling loads** or using heavy equipment:

- i) Use only approved hitch points;
- ii) Limit loads to those you can safely control;
- iii) Do not turn sharply;
- iv) Use care when reversing;

**Watch out for traffic** when crossing or near roadways.

**Stop the blades rotating** before crossing surfaces other than grass.

**When using the mowing attachment**, never direct discharge of material towards bystanders nor allow anyone else near the machine while it is operating.

**Never operate the machine with defective guards**, or without all safety devices in place and operating correctly.

**Do not change the engine governor settings** or over speed the engine as excessive engine speed can increase the risk of personal injury.

**Before leaving the operators position:**

- i) Disengage the power take off clutch;
- ii) Set the parking brake in the locked position.

**Disengage drive to attachments** when transporting, emptying the catcher, or not in use.

**Disengage drive to attachments and stop engine** before refuelling.

**Disengage drive to attachments, stop engine, and remove the ignition key:**

- i) Before leaving the machine unattended;
- ii) Before clearing blockages or unclogging the chute;
- iii) After striking a foreign object. (Inspect the machine for damage and make repairs before restarting or operating the damaged equipment);
- iv) If the machine starts to vibrate

abnormally. (Check immediately).

**Disengage drive to attachments, stop engine, remove the ignition key, and disconnect the spark plug wires and battery positive lead** before working on, maintaining, or servicing the machine.

**Secure the mowing attachment in the full up position:**

- i) Before clearing blockages or unclogging the chute;
- ii) Before replacing the blades, or adjusting the tension of the blade bolts;
- iii) Before placing any tools or any part of your person under the mowing attachment.

**Turn the fuel off using the fuel shut off valve** at the conclusion of operation.

## Maintenance and Storage

**Keep all nuts, bolts and screws tight** to ensure the equipment is in safe working order.

**Replace worn or damaged parts** for safety.

**Reduce the fire hazard**, by keeping the engine, muffler, hydrostatic transaxle, battery compartment, and petrol storage area clear of grass, leaves, or excessive oil and grease.

**Also ensure the mowing attachment drive belt can not come into contact with grass, sticks, and leaves** built up on the top surface of the mowing attachment.

**If the fuel tank has to be drained** this should be done outdoors.

**Never store the machine with petrol in the tank** inside a building where fumes can reach an open flame or spark.

**Allow the engine to cool** before storing the Ride-on Mower in any enclosure.

**When the machine is to be parked, stored or left unattended** raise the mowing attachment and secure it in the full up position.

---

# UNPACKING INSTRUCTIONS

## Unpacking Instructions

Inspect the shipping crate and contents for damage.

Position the shipping crate on a firm flat level surface with at least 3 meters distance from any obstruction to the end of the crate adjacent to the front of the tractor.

**! Caution you can be seriously injured by the metal strapping which has sharp edges and can spring out when cut. Wear gloves when handling metal strapping.**

**! Caution you can be seriously injured by sharp nails protruding from the shipping crate.**

Cut and remove the straps restraining the tractor to the ends of the shipping crate.

Remove the end of the shipping crate adjacent to front of the tractor.

Remove the plastic sheet covering the tractor.

Unlock the park brake knob by depressing the park brake lever and moving it to the right and allow it to raise to the top of long slot.

Pull the tractor from the shipping crate. Depress the brake pedal to stop travel. Once stopped the park brake should be locked on by pushing lever down and away then allow it to raise into the top of the short slot.

Remove the steering wheel, seat sub-assy, & other loose components from the packaging.

**Dispose of all packaging material responsibly.**

**Do not leave the plastic sheet unrestrained, it can blow away to become a safety hazard.**

---

# PRE-DELIVERY INSTRUCTIONS

## INTRODUCTION:

The purpose of this procedure is to ensure the dealer/distributor has assembled & made the necessary checks, & adjustments, before the mower is operational, and instructed the owner in its safe operation & maintenance. This procedure begins upon receiving the crated mower and is finalised once the mower has been either sold or leaves the dealer/distributors premises. This is the minimum amount of work required, however it should not be limited to only the areas detailed in this procedure.

## RESPONSIBILITY:

It is the responsibility of the dealer/distributors to ensure that before a mower is delivered to a customer, it is in perfect operational condition.

## PROCEDURE:

### UNCRATE THE MOWER

#### CHECK COMPONENTS SUPPLIED IN SEAT PROTECTION BAG

- Engine owners manual
- Owner/Operator manual
- Ignition keys (AM015)
- Tube spanner (AM006C1)
- Drive cone clearance gauge (13126) x2
- Tommy bar (AM007)
- Spring pull hook (13127)
- Steering wheel (SW14H)
- Roll Pin (DP10)
- Set Screws M8X25 (SH0825M) x 2
- Nuts M8 Nyloc (NM8NT) x 4
- Seat Springs x 2 (A163060)
- Spring Caps x 2 (A160231)
- Washer (W05M202) x 2
- Warranty Card
- Pre-delivery Instruction Sheet

## ASSEMBLY:

### TOOLS & EQUIPMENT

#### REQUIRED:

Socket set containing 13mm a/f socket & extension 75mm (3") or longer. Spanner 13mm a/f. Hammer & 6mm or 1/4" pin punch. Tube spanner (AM006C1) & tommy bar (AM007).

Refer pictorial procedure provided.

### STEERING WHEEL

To attach the steering wheel, align the hole in the steering wheel boss to the hole in the steering shaft and use a hammer and suitable punch to drive the DP10 roll pin through the steering wheel and shaft. Ensure that the pin is situated centrally in the steering wheel boss and that the steering is free to turn.

Press the steering wheel center cover into place using hand pressure only.

### HOURMETER

Connect the black negative wire to the terminal supplied at the back of the hourmeter.

### SEAT MOUNT & SEAT SPRINGS

Install the two seat springs using the screws, washers, nuts, to the seat slide frame, and tighten the screws, washers, and nuts. Install the Seat & Mounting to the seat slide frame using the Screws and Nuts. Attach seat switch wiring to seat switch.

### CHECK TYRE PRESSURES & FLUID LEVELS:

#### TYRES

Before operation ensure that tyre pressures are equal on both sides. Uneven pressure can give an uneven finish when mowing and may cause damage to tyres and/or tubes.

The recommended pressure is:  
Front 170kPa (24 P.S.I.). Rear 140kPa (20 P.S.I.)

#### BATTERY

This machine is fitted with a maintenance free battery.

#### ENGINE OIL

Before operation ensure that engine oil level is to the full mark on the dipstick. (Refer engine owners manual for procedure & if oil needs to be added refer Engine Owners Manual for Correct Grade).

## FUEL

Ensure there is fuel above the fuel tap & the fuel tap at the bottom left front side of fuel tank is turned to the on position before attempting to start engine. (Use unleaded fuel only).

**Turn off fuel tap after use.**

## CLUTCH PLATE ADJUSTMENT

Loosen the four square head set screws on the clutch plates using tube spanner (AM006C1) and tommy bar (AM007). Insert the clearance gauges supplied, one between the forward clutch plate and cone and the other between the reverse clutch plate and cone and hook them onto the intershaft. Slide both clutch plates against the clearance gauges and drive cone, tighten the set screws firmly onto the flat on the intershaft. Remove gauges.

## CHECK OPERATION OF SAFETY SWITCHES:

### STARTING

**Foot Switch** - With the PTO (power take off) switch in disengaged position (off), attempt to start the engine without depressing the foot switch.

**Engine should not start.**

**PTO Switch** - While sitting on seat with foot on foot switch and PTO switch in up (engaged) position, attempt to start the engine.

**Engine should not start.**

### Key Switch

With PTO switch in down (disengaged/off) position & foot switch depressed turn key switch to start position.

**Engine should start.**

## STOPPING

**Seat Switch** - While sitting on seat with engine running, engage cutter, and lift weight from seat.

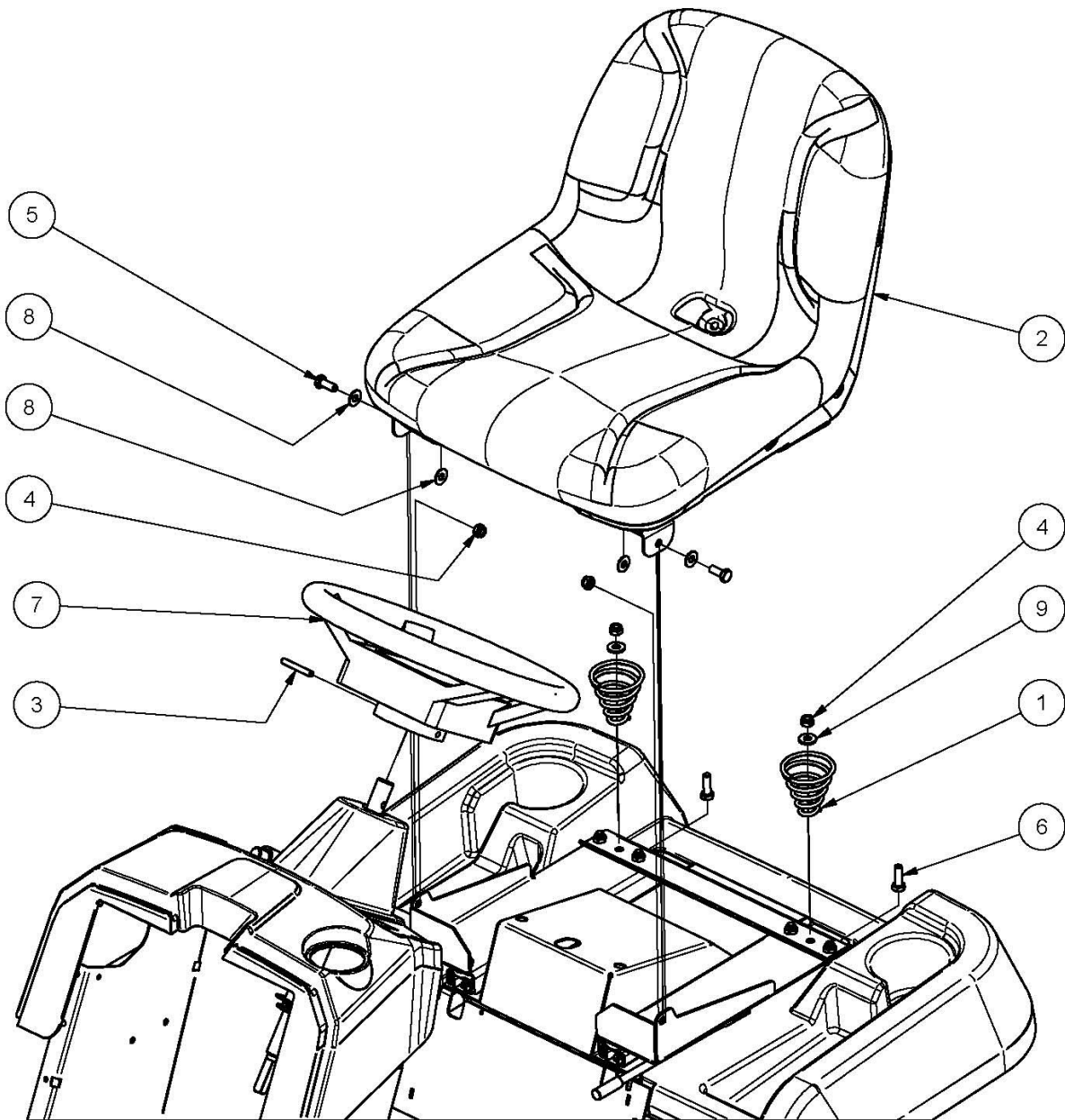
**Engine should stop.**

### Key Switch

Sit on seat and start engine, turn key switch to stop position.

**Engine should stop.**

## EXPLODED VIEW PRE DELIVERY



ITEM	PART NUMBER	DESCRIPTION	QTY
1	A163060	Spring, Compression, Conical, Seat, Heavy	2
2		Sub-Assy, Seat, Sman 4500	1
3	DP10	Pin, Roll, Spring, 1/4"X1-3/4", Znpl	1
4	NM8NT	Nut, Hex, Nyloc, Thin, M 8, Pc6, Znpl	4
5	SH0820M	Screw, Hex, M 8x 20, Pc8.8, Znpl	2
6	SH0825M	Screw, Hex, M 8x 25, Pc8.8, Znpl	2
7	SW14H	Wheel, Steering, 14", 02hub+Cover	1
8	W051218	Washer, Flat, Bright, 5/16"X3/4"X18g, Znpl	4
9	W05M202	Washer, Flat, Bright, 5/16"X3/4"X14g	2
	A168231	Cap, Spring, Seat	2

# OPERATING INSTRUCTIONS

## IMPORTANT

### RECOMMENDED FUEL

Unleaded fuel is recommended by all manufacturers of engines fitted to Cox products.

### SAFETY SWITCHES

Before operating machine, ensure that all safety switches are operating correctly. Do not operate machine with faulty, missing or damaged safety switches.

### BLADE WARNING

Do not use mowing attachment with broken or bent blades, damaged or worn bolts and nuts or damaged cutter disc, otherwise damage and premature wear will result from vibration. Replace blades, bolts and nuts only in pairs to maintain correct balance. Recommended blade nut torque is 36-40Nm. Do not over tighten.

**Keep both feet and hands clear of the mowing attachment at all times while attempting to start or operate the machine.**

## WARNING

**DO NOT OPERATE WITHOUT MOWING ATTACHMENT DEFLECTOR FITTED & DOWN.**

Safety footwear is recommended when operating machine.

Reference to left or right hand side of machine is determined by sitting in the operating position on the machine.

Mount and dismount only from left hand side of machine.

Ensure machine has park brake engaged when attempting to start engine.

Never allow engine revs to exceed more than 3600 RPM.

**The Instruments, the Controls and their functions are as follows;**

### Key Switch-

Used to start and stop engine. Insert key, turn key all the way right to start (3rd) position to start engine. When key is released from start (3rd) position it will return to on | (2nd) position. Turn key all the way left to off O (1st) position to stop engine. Remove key from off O (1st) position to lock ignition switch.

### PTO Switch-

Used to activate the electromagnetic clutch/brake to start (engage) and stop (disengage and brake) mowing attachment blades and allow starting of engine with mowing attachment blades disengaged from engine. With engine running at fast speed pull KNOB up to (ON) position to start (engage) mowing attachment blades. Push knob down to (OFF) position to stop (disengage and brake) mowing attachment blades.

### Seat Switch-

Used to stop engine if operator is not on the seat (switch not depressed) & cutter engagement PTO switch is engaged (on).

### Start Foot switch -

Used to ensure drive is in neutral when starting engine. Place right foot on and depress foot switch to start engine with switch key.

### Hourmeter-

Used to indicate the number of hours the engine has operated. Note:- Ignition switch must be in the on position for the hourmeter to display hours.

### Engine Speed/Choke Control Lever-

Used to regulate engine speed and cutter speed also to engage/regulate/disengage the engine choke to assist in starting a cold engine. Push LEVER fully forward to engage the engine choke fully.

Pull LEVER back so front edge of LEVER is in line with the fast (rabbit) symbol on dash decal to disengage choke fully.

Pull LEVER back for slow engine speed and push LEVER forward to fast symbol on dash decal for fast engine and cutter speed.

### Seat Adjustment Lever-

Used to allow adjustment of the seat backwards or forwards to give the most comfortable operating position. Pull the LEVER left to unlock the seat slide mechanism, and move seat backwards or forwards until most

comfortable operating position is reached, release LEVER and attempt to move the seat backwards or forwards slightly to allow the LEVER to return to the fully right position and to ensure the seat is locked in position.

### Drive pedal-

Used to control an infinitely variable ground speed between zero and maximum in forward or reverse. Also to select neutral. With engine running push down on front of pedal to travel forward. With engine running push down on back of pedal to travel in reverse. When pressure is released from front or back of pedal it will return to neutral position. It is not necessary to return to neutral or stop before changing from forward to reverse or reverse to forward.

### Foot brake pedal-

Used to stop machine travel or keep stationary before setting park brake. Push pedal down to apply brake. Remove foot from pedal to release brake.

### Park brake lever-

Used to keep machine stationary. With drive pedal in neutral position and machine stationary push lever down and away from you to the 'ON' position to apply brake. To release brake push lever down and towards you then release, spring tension will return the lever to the 'OFF' position.

**NOTE— Applying park brake while machine is moving and/or attempting to drive off with the park brake not fully in the off position will damage the teeth of the large sprocket & park brake mechanism or drive cone and or clutch plates.**

### Mowing Attachment Cutting Height Adjustment Lever-

Used to change the mowing attachment cutting height. To alter cutting height, lift lever slightly and depress button, mover lever up to raise or down to lower the mowing attachment cut height, stop at desired cutting height and release button to lock at 1 of 10 height positions.

**NOTE— Do Not mow in any direction on slopes beyond 15 degrees (1 in 3.75).**



---

## OPERATING INSTRUCTIONS cont.

### Fuel Tap Knob-

Used to shut off the fuel line to stop fuel flow to the engine when the tractor is transported or not in operation to reduce the likelihood of fuel leakage. Turn the KNOB clockwise ¼ of a turn from the on position to the off position to shut off the fuel line to stop fuel flowing to the engine. Turn KNOB anticlockwise ¼ of a turn from the off position to the on position to allow fuel to flow to the engine.

### Oil Level Dipstick-

Used to indicate oil level in engine when engine is not running. (Refer to engine owners manual for instructions on checking engine oil level)

## TO OPERATE

### BEFORE STARTING / STOPPING:

See Engine Maintenance/ Instruction Sheet.

### STARTING ENGINE

When starting engine, place right heel on foot switch located on rear of right footrest. Ensure that PTO switch is disengaged (off), otherwise electric starter motor will not engage. If engine is cold move engine speed control to choke position and return to desired engine speed setting when engine starts. Do not attempt to operate engine with engine speed control lever in choke position.

### STOPPING ENGINE

When stopping engine, ensure PTO switch is disengaged (off), and engine speed control is in the fast position, set park brake in the on position, turn key switch to the "off" (1st) position.

### DRIVING TO DRIVE FORWARD/ REVERSE:

Engine speed is regulated by the engine speed control, set engine speed control to desired engine speed. Press down on the forward section of the drive pedal for forward movement, on the rear of the drive pedal for reverse. The amount of pressure can be used to

control the ground speed, especially in heavier conditions. When operating the mower on slopes greater than 10 degrees but less than 15 degrees for a prolonged period, you may experience minor drive fade, should this occur, vary your mowing style eg: mow around some flat areas, then the slope followed by the flat area again. This will allow the drive to cool before travelling up the slope again.

**N.B. Ensure that when pressure is applied to the drive pedal rear wheels rotate or damage will occur to drive cone and or clutch plates.**

### MANOEUVRING:

Owing to the heel and toe type action of the drive pedal, it is possible to take the machine straight from forward to reverse and vice versa. This quick forward and reverse operation makes the machine very manoeuvrable and the sharpest turns can be negotiated easily and quickly.

### TO BRAKE (WITH ENGINE RUNNING):

The drive pedal may be used to stop the machine. If travelling forward push the pedal into reverse until machine stops, then bring the pedal back to neutral position or vice versa if travelling in reverse. Should a drive failure occur during operation use the brake pedal situated on the left hand side and forward of where your foot would rest during normal operation.

### TO BRAKE (WITH ENGINE STOPPED):

Use foot brake pedal only. Damage to drive cone will occur if drive pedal is used to brake the machine with the engine stopped.

### PARKING AND TRANSPORTATION BRAKE:

With the machine stationary, depress the lever protruding out of the left hand mudguard downward and shift the lever to the left and then up to engage the park brake. Depress and shift to the right then release to disengage the park brake.

Do not engage parking brake unless the machine has completely stopped.

Do not attempt to drive with park brake engaged, damage will occur to drive cone and or clutch plates, large drive sprocket, or park brake mechanism.

**NOTE:** When mowing slopes, keep drive pedal in forward or reverse, depending on direction of travel. The low gearing will prevent it from picking up excessive speed. If slope is very steep it may be necessary to slow engine speed slightly and /or, apply light drive pedal pressure to the opposite drive direction. i.e. move drive pedal into reverse when going forward down slope or into forward when reversing down slope.

**AVOID HOLDING MACHINE STATIONARY ON SLOPES USING DRIVE PEDAL WITH ENGINE RUNNING AS DAMAGE WILL OCCUR TO DRIVE CONE AND OR CLUTCH PLATES.**

# MAINTENANCE INSTRUCTIONS

**It is the owner's responsibility to ensure that all-periodical checks, necessary adjustments, services and repairs are carried out. Failure to do so may result in death, personal injury and/or property damage.**

Before attempting any maintenance, stop engine, ensure mowing attachment blades have stopped rotating, disconnect spark plug lead from spark plug and ground it, disconnect battery at negative terminal, to prevent accidental starting.

Position machine on a flat level surface for maintenance.

Never alter factory setting of maximum engine R.P.M (3600).

Reference to the left or right side of the machine is determined by sitting in the operating position.

**IMPORTANT:** If operating in adverse conditions such as those mentioned below, change engine oil, air filter, lubrication and adjustments should be carried out at less time intervals than specified in this booklets maintenance schedule. Ensure machine has park brake engaged when attempting to start engine.

- Mowing in hot or wet conditions.
- Mowing in rough or dusty conditions.
- Mowing hilly areas or continuous heavy load conditions.

Ensure machine has park brake engaged when attempting to start engine.

## **CHECK & ADJUST ENGINE OIL LEVEL -**

Refer to engine owners manual for correct method to check & adjust engine oil level.

## **CHANGE ENGINE OIL & OIL FILTER -**

Refer to engine owner's manual for correct method to change engine oil & oil filter.

## **CHECK ENGINE AIR CLEANER & FOAM PRE-CLEANER-**

Refer to engine owners manual for correct method to check and service engine air cleaner & foam pre-cleaner.

**CHECK BONNET SIDE MESH -** If mesh is more than one quarter blocked by debris clean mesh.

Wipe mesh with hand, rag or brush to remove debris from mesh.

## **CHECK ENGINE ROTATING SCREEN-**

Refer to engine owners manual for correct method to check and clean engine rotating screen /debris guard.

**LUBRICATION OF MACHINE-** Lubrication of machine must be carried out every 15 hours of operation or once a month, whichever occurs first. Lubricate at less time intervals when operated under adverse conditions.

**OILING:** A few drops of oil should be placed at the following points: Steering rod ends, mower suspension link rod end, height adjustment mechanism, pivot bolt and linkages on clutch arm, clutch pedal and brake linkages.

**CHAIN-** Use only chain lube for lubrication of the drive and steering chains.

**GREASE POINTS-** Grease nipples are located on top of the front wheel stub axles & the back of the drive arm.

## **GREASE STUB AXLES:**

Clean grease nipple, use grease gun and general-purpose grease to force old grease from top and bottom of front axle bushes. If grease is not released from bottom of bush jack up front of machine and try again .

## **GREASE DRIVE ARM PIVOT-**

Clean grease nipple, use grease gun and general purpose grease to replenish lost grease.

Under no circumstances allow grease or oil to come into contact with the Drive Cone or Clutch Plates. Should this occur, use petrol or other suitable solvent and clean off immediately whilst surfaces are cool and allow to dry before operating machine.

## **ENGINE TO CONE DRIVE VEE BELT**

**ADJUSTMENT-** Tension is automatically adjusted by the belt tensioning spring.

## **ENGINE TO CUTTER VEE BELT**

**ADJUSTMENT-** Tension is automatically adjusted by the belt tensioning springs.

## **CHECK OPERATION OF SAFETY SWITCHES:**

### **STARTING**

**Foot Switch -** With the PTO (power take off) switch in disengaged position (off), attempt to start the engine without depressing the foot switch.

**Engine should not start.**

**PTO Switch -** While sitting on seat with foot on foot switch and PTO switch in up (engaged) position, attempt to start the engine.

**Engine should not start.**

### **Key Switch**

With PTO switch in down (disengaged/off) position & foot switch depressed turn key switch to start position.

**Engine should start.**

### **STOPPING**

**Seat Switch -** While sitting on seat with engine running, engage cutter, and lift weight from seat.

**Engine should stop.**

### **Key Switch**

Sit on seat and start engine, turn key switch to stop position.

**Engine should stop.**

**DRIVE CHAIN-** Machines are fitted with automatic chain adjusters. No adjustment is required. Replace chain when chain has sagged enough to expose half the depth of the teeth on the bottom of the large sprocket. Failure to replace worn chain will cause premature wear of sprockets.

**REPLACE DRIVE CHAIN-** Stop engine, ensure mowing attachment blades have stopped rotating, disconnect spark plug lead from spark plug and ground it, disconnect battery at negative terminal, to prevent accidental starting. Engage park brake, jack up rear of machine, and remove left rear wheel. Push chain tensioner arms, one at a time, away from chain and using a suitable spanner tighten

pivot bolt lock nuts to hold them out. Release park brake then turn rear axle to bring chain into a suitable position for removal of the chain connecting link. Remove connecting link and chain. Inspect both sprockets for wear or damage, replace if necessary. Install new chain and connecting link with the link clip between the wheel and chain. Release pivot arm nuts until arm moves freely back to chain. Engage park brake, install wheel and lower machine.

## **TO ADJUST STEERING CHAIN-**

Stop engine, ensure mowing attachment blades have stopped rotating, disconnect spark plug lead from spark plug and ground it, disconnect battery at negative terminal, to prevent accidental starting. Adjust chain by loosening the two bolts which hold the steering idler shaft mounting bracket in position, slide rearwards to tension chain then retighten bolts.

## **CUTTER HEIGHT ADJUSTMENT-**

Stop engine, ensure mowing attachment blades have stopped rotating, disconnect spark plug lead from spark plug and ground it, disconnect battery at negative terminal, to prevent accidental starting. If the Mowing Attachment can not be positioned to give a satisfactory grass cut height using the available notches on the cut height mechanism, position the mower on a smooth level surface, lock the park brake on, and lower the Mowing Attachment to the notch above the desired cut height. Place 3 equal height spacers (that can support the mowing attachments weight) , of the desired height, under the mowing attachment one on each side at the lower front adjacent to the cut-out & one at the middle of the back and lower the Mowing Attachment onto them. Loosen the 2 short screws located together on the front of the rear suspension mount. Push the rear link rearwards until it stops and retighten the 2 screws. Lift the Mowing attachment off the spacers and remove the spacers and check the cut height is as desired and the deck is level to slightly higher (3—5 mm) at the back. Adjust height again if required.

## **CUTTER BRAKE ADJUSTMENT-**

Automatically adjusted by permanent magnets on the electro magnetic clutch/brake.

## **REPLACE BLADES-**

Stop engine, ensure mowing attachment blades have stopped rotating, disconnect spark plug lead from spark plug and ground it, disconnect battery at negative terminal, to prevent accidental starting. Check condition of cutter disc remove the blade nut using a suitable spanner (if using a socket remove the blanking grommet to gain access to the blade nut) and replace all blades, bolts, nuts and washers to preserve balance, tighten blade nut to (36-40Nm). Do not over tighten. Re-fit blanking grommet if removed.

---

## MAINTENANCE INSTRUCTIONS CONT.

### TO REMOVE MOWING ATTACHMENT –

Stop engine, ensure mowing attachment blades have stopped rotating, and spark plug lead is disconnected & grounded, disconnect battery negative terminal to prevent accidental starting, disconnect the belt tensioning spring (front left hand side of mowing attachment). Lower mowing attachment onto 20mm block front and rear. Remove cutter belt from engine pulley. Remove two M10 x 50mm bolts, nuts & washers from mower suspension link at rear of the mowing attachment. Remove mowing attachment pivot pin lock screw and nut (6mm) and remove mowing attachment pivot pin. Remove the M8x35mm bolt from the cradle frame attachment bracket. Turn the front wheels a little to the left and twist the mowing attachment to the right and slide the deck from under the mower to the right side.

Re-assemble in reverse order. To assist in refitting mowing attachment pivot pin, raise the mowing attachment slightly. Refit mower suspension link & lifting links and M10x50mm bolts, nuts and washers. Refit cutter belt, connect belt tensioning spring and refit spark plug lead and battery terminal.

**CLUTCH PLATE ADJUSTMENT-** Periodically adjust the clutch plates as the cone drive wears. Stop engine, ensure mowing attachment blades have stopped rotating, disconnect spark plug lead from spark plug and ground it, disconnect battery at negative terminal, to prevent accidental starting. Carry out this operation, with engine off. Centre the clutch arm assembly to the neutral position. Loosen the four square head set screws on the clutch plates using tube spanner (AM006C1) and tommy bar (AM007). Insert the clearance gauges supplied, one between the forward clutch plate and cone and the other between the reverse clutch plate and cone and hook them onto the intershaft. Slide both clutch plates against the clearance gauges and cone, tighten the set screws firmly onto the flat on the intershaft. Remove gauges.

**CHECK TYRE PRESSURES -** Uneven pressure can give an uneven finish when mowing and overly low or high pressures may cause damage to tyres and/or tubes. The recommended pressure is: 170kPa (24 P.S.I.) Front. 140kPa (20 P.S.I.) Rear.

**BATTERY MAINTENANCE-** Batteries can be dangerous as they contain acids (corrosive chemicals), flammable vapours, large amounts of stored electrical energy, which may cause chemical burns, explosions or fires. Where goggles and a protective face guard. Remove jewellery/watches before handling the battery. Do not perform any battery maintenance where there are open flames or the possibility of sparks. Always work in a well ventilated area. Ensure the top of the battery is clean and dry (free of dirt and grime) as a dirty battery can discharge across the top of the battery casing. Inspect the terminals, screws and cables for breakage, damage or loose connections and they are clean, tight and free of corrosion. When not in use, a battery discharges by as much as 1% a day, more when the climate is warm. To make up for this loss, a boosting charge should be given once a month. Disconnect battery terminals (negative terminal first) to charge, then allow to stand minimum 1/2hr before re-connecting (negative terminal first). If a battery is not used for a period of more than three (3) months, the terminals should be disconnected and trickle charged at two (2) amps for two (2) hours once every three (3) months or before use. At the end of any maintenance ensure the battery is securely fastened in place, especially if it has been removed.

**BRAKE ADJUSTMENT-** Remove the 'R' pin securing the adjustable link rod to the brake lever & turn adjustable link rod clockwise push adjustable link rod into machine & refit link rod to pedal & refit 'R' Pin.

**CLEANING MACHINE WITH WATER PRESSURE –** Allow machine to cool down (min 2 hrs) before hosing down. Start engine and engage drive and cutting systems to clear water from pulleys and belts. Stop engine and allow machine to dry. Lubricate as required. Do not cover machine with plastic or vinyl type material.

**CLEANING AND POLISHING POLYETHYLENE BONNET AND REAR MUDGUARD-** To keep scratches on bonnet and mudguard to minimum, do not rub or brush off with bare hands, use a soft cloth or a light flow of compressed air. For dirt, wash with a steady stream of water only (no detergent), then blow off excess water with air. To polish remove excess dust or dirt. When surface is dry, spray on an automotive type plastic preservative and leave on for 30 to 60 seconds. Using a dry soft cloth (i.e. cheesecloth) wipe off to bring up lustre.

**GENUINE SPARE PARTS-** Always use Genuine Cox Factory Made Spare Parts. Use of non-genuine COX spares will void your warranty.

**SAFETY FIRST-** The use of mechanical devices can cause injury or property damage if incorrect procedures are used. Please ensure all operators & users read & understand all safety instructions in this manual.

### CHECK FOR LOOSE FASTENERS - TORQUE SETTINGS

1/4" UNC BOLT/NUT	10Nm (84lbf in)
5/16" UNC BOLT/NUT	20Nm (180lbf in)
3/8" UNC BOLT/NUT	36Nm (27lbf ft)
5/8" UNF NUT	100Nm (74lbf ft)
7/16" UNF BOLT	68Nm (50lbf ft)
6mm BOLT/NUT	9Nm (80lbf in)
8mm BOLT/NUT	15Nm (11lbf ft)
10mm NUT	44Nm (32lbf ft)
12mm NUT	53Nm (39lbf ft)
20mm NUT	100Nm (74lbf ft)

---

## MAINTENANCE SCHEDULE

### BEFORE EACH USE

Check engine oil level, adjust if required  
Check engine air cleaner foam pre-cleaner, service if required  
Check engine rotating screen/finger guard, clean if required  
Check operation of safety switches, service if required  
Check foot brake operation, adjust if required.  
Check tyre pressures, adjust if required

Check for loose fasteners, tighten if required  
Lubricate stub axles  
Lubricate steering ball joints  
Lubricate Drive Chain  
Check mowing attachment cutter blades, bolts, nuts, disc/s, housing, and guards/deflector for wear or damage, replace if required

### BEFORE EXTENDED STORAGE

Change engine oil - Clean machine - Lubricate fully - Remove all fuel from engine, fuel lines & tank or add fuel stabiliser

### EVERY 5 HOURS

Check engine oil level, adjust if required  
Check engine air cleaner foam pre-cleaner, service if req.  
Check engine rotating screen/finger guard, clean if required  
Check operation of safety switches, service if required  
Check foot brake operation, adjust if required.

Check tyre pressures, adjust if required  
Check for loose fasteners, tighten if required  
Lubricate stub axles, steering ball joints, Drive Chain  
Check mowing attachment cutter blades, bolts, nuts, disc/s, housing, and guards for wear or damage, replace if required

## FIRST MONTH OR 5 HOURS WHICH EVER OCCURS FIRST

Change engine oil  
 Check engine air cleaner foam pre-cleaner , service if required  
 Check engine rotating screen/finger guard, clean if required  
 Check foot brake operation, adjust if required  
 Check operation of safety switches, service if required  
 Check tyre pressures, adjust if required  
 Lubricate stub axles, steering ball joints, Drive Chain

Check mowing attachment cutter blades, bolts, nuts, disc/s, housing ,  
 and guards for damage, replace if required  
 Check clutch arm action, adjust if required  
 Check vee belt s  
 Check for loose fasteners, tighten if required  
 Check cutter vee belt and adjust cutter housing level if required

DATE / / HOURS.....DEALER.....

## 3 MONTH OR 25 HOURS WHICH EVER OCCURS FIRST

Change engine oil if operating under heavy load or high ambient tem-  
 perature  
 Check engine air cleaner foam pre-cleaner, service if required \*  
 Check engine rotating screen/finger guard, clean if required \*  
 Check foot brake operation, adjust if required  
 Check operation of safety switches and replace if required  
 Check tyre pressures, adjust if required  
 Lubricate stub axles, steering ball joints, Drive Chain

Check mowing attachment cutter blades, bolts, nuts, disc/s, housing ,  
 and guards for wear or damage, replace if required  
 Check vee belt s  
 Check battery condition, service if required  
 Check cutter vee belt and adjust cutter housing level if required  
 Check for loose fasteners, tighten if required

\*Service more often under dusty conditions, or where air borne debris is present

DATE / / HOURS.....CUSTOMER.....

## 6 MONTH OR 50 HOURS WHICH EVER OCCURS FIRST

Change engine oil if operating under heavy load or high ambient  
 temperature  
 Check engine air cleaner foam pre-cleaner, service if required \*  
 Check engine rotating screen/finger guard, clean if required \*  
 Check foot brake operation, adjust if required  
 Check operation of safety switches and replace if required  
 Check tyre pressures, adjust if required

Lubricate stub axles, steering ball joints, Drive Chain  
 Check mowing attachment cutter blades, bolts, nuts, disc/s,  
 housing , and guards for wear or damage, replace if required  
 Check for loose fasteners, tighten if required  
 Check vee belt s  
 Check battery condition, service if required  
 Check cutter vee belt and adjust cutter housing level if required

\*Service more often under dusty conditions, or where air borne debris is present

DATE / / HOURS.....DEALER.....

## 9 MONTHS OR 75 HOURS WHICH EVER OCCURS FIRST

Change engine oil if operating under heavy load or high ambient  
 temperature  
 Check engine air cleaner foam pre-cleaner, service if required \*  
 Check engine rotating screen/finger guard, clean if required \*  
 Check foot brake operation, adjust if required  
 Check operation of safety switches and replace if required  
 Check tyre pressures, adjust if required

Lubricate stub axles, steering ball joints, Drive Chain  
 Check mowing attachment cutter blades, bolts, nuts, disc/s, housing ,  
 and guards for wear or damage, replace if required  
 Check for loose fasteners, tighten if required  
 Check battery condition, service if required  
 Check cutter vee belt and adjust cutter housing level if required  
 Check vee belt s

\*Service more often under dusty conditions, or where air borne debris is present

DATE / / HOURS.....CUSTOMER/DEALER.....

## 12 MONTHS OR 100 HOURS WHICH EVER OCCURS FIRST

Change engine oil filter  
 Change engine oil  
 Check engine spark plug, clean, adjust, or replace if required  
 If fitted clean engine exhaust spark arrester  
 Check engine air cleaner foam pre-cleaner , service if required \*  
 Check engine air cleaner cartridge, service if required\*  
 Clean engine cooling system\*  
 Check clutch arm action, adjust if required  
 Replace in-line fuel filter  
 Check foot brake operation and lining for ware, adjust or replace if req  
 Lubricate stub axles, steering ball joints, Drive Chain  
 Check for loose fasteners, tighten if required  
 Check operation of safety switches, service if required

Check tyre pressures, adjust if required  
 Check drive chain and sprockets for wear, replace if required  
 Check steering chain an sprockets or wear, adjust if required  
 Check mowing attachment cutter blades, bolts, nuts, disc/s, housing,  
 and guards for wear or damage, replace if required  
 Check clutch arm action, adjust if required  
 Re-tension rear wheel retaining nut/s  
 Check battery condition, service if required  
 Check drive clutch plates and cone for wear or damage, adjust or  
 service if required  
 Check belts for wear or damage, replace if required  
 Check engine to clutch vee belt  
 Check cutter vee belt and adjust cutter housing level if required

\*Service more often under dusty conditions, or where air borne debris is present

DATE / / HOURS.....DEALER.....

## 15 MONTHS OR 125 HOURS WHICH EVER OCCURS FIRST

Change engine oil if operating under heavy load or high ambient temperature  
Check engine air cleaner foam pre-cleaner, service if required \*  
Check engine rotating screen/finger guard, clean if required \*  
Check operation of safety switches and replace if required  
Check foot brake operation, adjust if required  
Lubricate stub axles, steering ball joints, Drive Chain

Check tyre pressures, adjust if required  
Check battery condition, service if required  
Check mowing attachment cutter blades, bolts, nuts, disc/s, housing, and guards for wear or damage, replace if required  
Check for loose fasteners, tighten if required  
Check cutter vee belt and adjust cutter housing level if required  
Check vee belt s

\*Service more often under dusty conditions, or where air borne debris is present

DATE / / HOURS.....CUSTOMER/DEALER.....

## 18 MONTHS OR 150 HOURS WHICH EVER OCCURS FIRST

Change engine oil  
If fitted clean engine exhaust spark arrestor  
Check engine air cleaner foam pre-cleaner , service if required \*  
Check engine rotating screen/finger guard , clean if required \*  
Check foot brake operation and lining for ware, adjust or replace if required  
Check operation of safety switches, service if required  
Check tyre pressures, adjust if required  
Lubricate stub axles, steering ball joints, Drive Chain  
Check steering chain an sprockets or wear, adjust if required  
Check mowing attachment cutter blades, bolts, nuts, disc/s, housing, and guards for wear or damage, replace if required

Check belts for wear or damage, replace if required  
Check drive chain and sprockets for wear, replace if required  
If fitted check mowing attachment brake pad for wear, replace if required  
Check drive clutch plates and cone for wear or damage, adjust or service if required  
Check clutch arm action, adjust if required  
Check battery condition, service if required  
Check for loose fasteners, tighten if required  
Check vee belt s  
Check cutter vee belt and adjust cutter housing level if required

\*Service more often under dusty conditions, or where air borne debris is present

DATE / / HOURS.....DEALER.....

## 21 MONTHS OR 175 HOURS WHICH EVER OCCURS FIRST

Change engine oil if operating under heavy load or high ambient temperature  
Check engine air cleaner foam pre-cleaner, service if required \*  
Check engine rotating screen/finger guard, clean if required \*  
Check foot brake operation, adjust if required  
Check operation of safety switches and replace if required  
Check tyre pressures, adjust if required  
Lubricate stub axles, steering ball joints, Drive Chain  
Check mowing attachment cutter blades, bolts, nuts, disc/s, housing ,

and guards for wear or damage, replace if required  
Check battery condition, service if required  
Check for loose fasteners, tighten if required  
Check cutter vee belt and adjust cutter housing level if required  
Check vee belt s

\*Service more often under dusty conditions, or where air borne debris is present

DATE / / HOURS.....CUSTOMER/DEALER.....

## 24 MONTHS OR 200 HOURS WHICH EVER OCCURS FIRST

Replace engine oil filter  
Change engine oil  
Check engine spark plug, clean, adjust, or replace if required  
If fitted clean engine exhaust spark arrestor  
Check engine air cleaner foam pre-cleaner , service if required \*  
Check engine air cleaner cartridge, service if required  
Clean engine cooling system\*  
Check foot brake operation and lining for ware, adjust or replace if required  
Check operation of safety switches, service if required  
Check tyre pressures, adjust if required  
Lubricate stub axles, steering ball joints, Drive Chain  
Check steering chain an sprockets or wear, adjust if required

Check mowing attachment cutter blades, bolts, nuts, disc/s, housing, and guards for wear or damage, replace if required  
Check belts for wear or damage, replace if required  
Check drive chain and sprockets for wear, replace if required  
Check drive clutch plates and cone for wear or damage, adjust or service if required  
Check clutch arm action, adjust if required  
Check battery condition, service if required  
Check for loose fasteners, tighten if required  
Check vee belt s  
Check cutter vee belt and adjust cutter housing level if required

\*Service more often under dusty conditions, or where air borne debris is present

DATE / / HOURS.....DEALER.....

## 27 MONTHS OR 225 HOURS WHICH EVER OCCURS FIRST

Change engine oil if operating under heavy load or high ambient temperature	Check mowing attachment cutter blades, bolts, nuts, disc/s, housing, and guards for wear or damage, replace if required
Check engine air cleaner foam pre-cleaner, service if required *	Check battery condition, service if required
Check engine rotating screen/finger guard, clean if required *	Check for loose fasteners, tighten if required
Check foot brake operation, adjust if required	Check cutter vee belt and adjust cutter housing level if required
Check operation of safety switches and replace if required	Check vee belt s
Check tyre pressures, adjust if required	
Lubricate stub axles, steering ball joints, Drive Chain	

\*Service more often under dusty conditions, or where air borne debris is present

DATE / / HOURS.....CUSTOMER/DEALER.....

## 30 MONTHS OR 250 HOURS WHICH EVER OCCURS FIRST

Change engine oil	Check belts for wear or damage, replace if required
If fitted clean engine exhaust spark arrestor	Check drive chain and sprockets for wear, replace if required
Check engine air cleaner foam pre-cleaner, service if required *	Check drive clutch plates and cone for wear or damage, adjust or service if required
Check engine rotating screen/finger guard, clean if required *	Check clutch arm action, adjust if required
Check foot brake operation and lining for wear, adjust or replace if required	Check battery condition, service if required
Check operation of safety switches, service if required	Check for loose fasteners, tighten if required
Check tyre pressures, adjust if required	Check vee belt s
Lubricate stub axles, steering ball joints, Drive Chain	Check cutter vee belt and adjust cutter housing level if required
Check steering chain an sprockets or wear, adjust if required	
Check mowing attachment cutter blades, bolts, nuts, disc/s, housing, and guards for wear or damage, replace if required	

\*Service more often under dusty conditions, or where air borne debris is present

DATE / / HOURS.....DEALER.....

## 33 MONTHS OR 275 HOURS WHICH EVER OCCURS FIRST

Change engine oil if operating under heavy load or high ambient temperature	Check mowing attachment cutter blades, bolts, nuts, disc/s, housing, and guards for wear or damage, replace if required
Check engine air cleaner foam pre-cleaner, service if required *	Check battery condition, service if required
Check engine rotating screen/finger guard, clean if required *	Check for loose fasteners, tighten if required
Check foot brake operation, adjust if required	Check cutter vee belt and adjust cutter housing level if required
Check operation of safety switches and replace if required	Check vee belt s
Check tyre pressures, adjust if required	
Lubricate stub axles, steering ball joints, Drive Chain	

\*Service more often under dusty conditions, or where air borne debris is present

DATE / / HOURS.....CUSTOMER/DEALER.....

## 36 MONTHS OR 300 HOURS WHICH EVER OCCURS FIRST

Replace engine oil filter	Check mowing attachment cutter blades, bolts, nuts, disc/s, housing, and guards for wear or damage, replace if required
Change engine oil	Check belts for wear or damage, replace if required
Check engine spark plug, clean, adjust, or replace if required	Check drive chain and sprockets for wear, replace if required
If fitted clean engine exhaust spark arrestor	Check drive clutch plates and cone for wear or damage, adjust or service if required
Check engine air cleaner foam pre-cleaner, service if required *	Check clutch arm action, adjust if required
Check engine air cleaner cartridge, service if required	Check battery condition, service if required
Clean engine cooling system*	Check for loose fasteners, tighten if required
Check foot brake operation and lining for wear, adjust or replace if required	Check vee belt s
Check operation of safety switches, service if required	Check cutter vee belt and adjust cutter housing level if required
Check tyre pressures, adjust if required	
Lubricate stub axles, steering ball joints, Drive Chain	
Check steering chain an sprockets or wear, adjust if required	

\*Service more often under dusty conditions, or where air borne debris is present

DATE / / HOURS.....DEALER.....

**We are proud that you have purchased a Cox product and urge you to follow these instructions to obtain the maximum life for your machine.  
If in doubt check with your supplier.**



Cox Industries (Australia) Pty Ltd  
70 Landseer Street  
ACACIA RIDGE QLD 4110

Freecall: 1800 330 444  
Phone: 07 3323 2222  
Email: [sales@coxmowers.com.au](mailto:sales@coxmowers.com.au)

## COX INDUSTRIES MOWER WARRANTY POLICY

### DEFINITIONS:

"Commercial Use" means all uses other than Domestic use, including any use that is income producing, rental, or is in relation to use in schools, by government departments or charity operators.

"COX INDUSTRIES" means Cox Industries (Australia) Pty Ltd ACN 050 991 038.

"Dealer" means an authorised COX INDUSTRIES dealer a list of which can be found on our website: [www.coxmowers.com.au](http://www.coxmowers.com.au) or freecall us on 1800 330 444.

"Domestic Use" means use for a personal, residential or household (property) purpose.

"Mower" means any ride-on mower manufactured by COX INDUSTRIES.

"Parts" means all parts that can be found in a Mower.

"Warranty Period" means:

- 1) for Domestic Use, a period of two (2) years; or
- 2) for Commercial Use, a period of six (6) months, from the original date of purchase.

### NEW MOWER:

Our goods come with guarantees that cannot be excluded under the Australian Consumer Law. You are entitled to a replacement or refund for a major failure and compensation for any other reasonably foreseeable loss or damage. You are also entitled to have the goods repaired or replaced if the goods fail to be of acceptable quality and the failure does not amount to a major failure.

Nothing in this Warranty purports to modify or exclude the conditions, warranties and undertakings, and other legal rights, under the Australian Consumer Law. This Warranty gives you additional protection for your Mower, and identifies a preferred approach to resolving warranty claims which will be quickest and simplest for all parties, subject to the exclusions, terms and conditions below.

### WARRANTY PERIOD:

COX INDUSTRIES warrants in respect of each new Mower sold that, subject to the exclusions below, for the Warranty Period COX INDUSTRIES or a Dealer will repair or replace free of charge any Parts found to be defective in materials or workmanship under normal use and operating conditions. Other than for major failure, it is at COX INDUSTRIES sole discretion as to whether the Mower or Part is repaired or replaced.

### MOWER PARTS INSTALLED DURING NEW MOWER WARRANTY PERIOD:

Warranty coverage for Parts installed during the new Mower Warranty Period shall consist of the remainder of the new mower Warranty Period or ninety (90) days, whichever ever is greater, provided the installation is performed by an authorised Dealer.

### TO CLAIM THE WARRANTY:

To make a claim under this Warranty, please bring or send the Mower to an authorised Dealer with a copy of your proof of purchase of the Mower. A claim under this Warranty is not formally made unless and until that proof of purchase is provided. This does not detract from your statutory rights.

### WARRANTY REGISTRATION:

The warranty registration card must be completed by the Dealer with the customer at the time of purchase and returned to COX INDUSTRIES within 14 days.

This Warranty is transferable to a subsequent owner of a Mower, in the event of the sale of that product, provided that COX INDUSTRIES is informed in writing within a reasonable time of the sale of the subsequent owner's name and contact details, such notice to be provided to COX INDUSTRIES. The notice should identify the name of the previous owner of the Mower, place and date of purchase, model, make and serial number of the Mower. The effective transfer of this Warranty does not otherwise alter the terms of this Warranty in any way.

### WARRANTY EXCLUSIONS:

This Warranty does not cover:

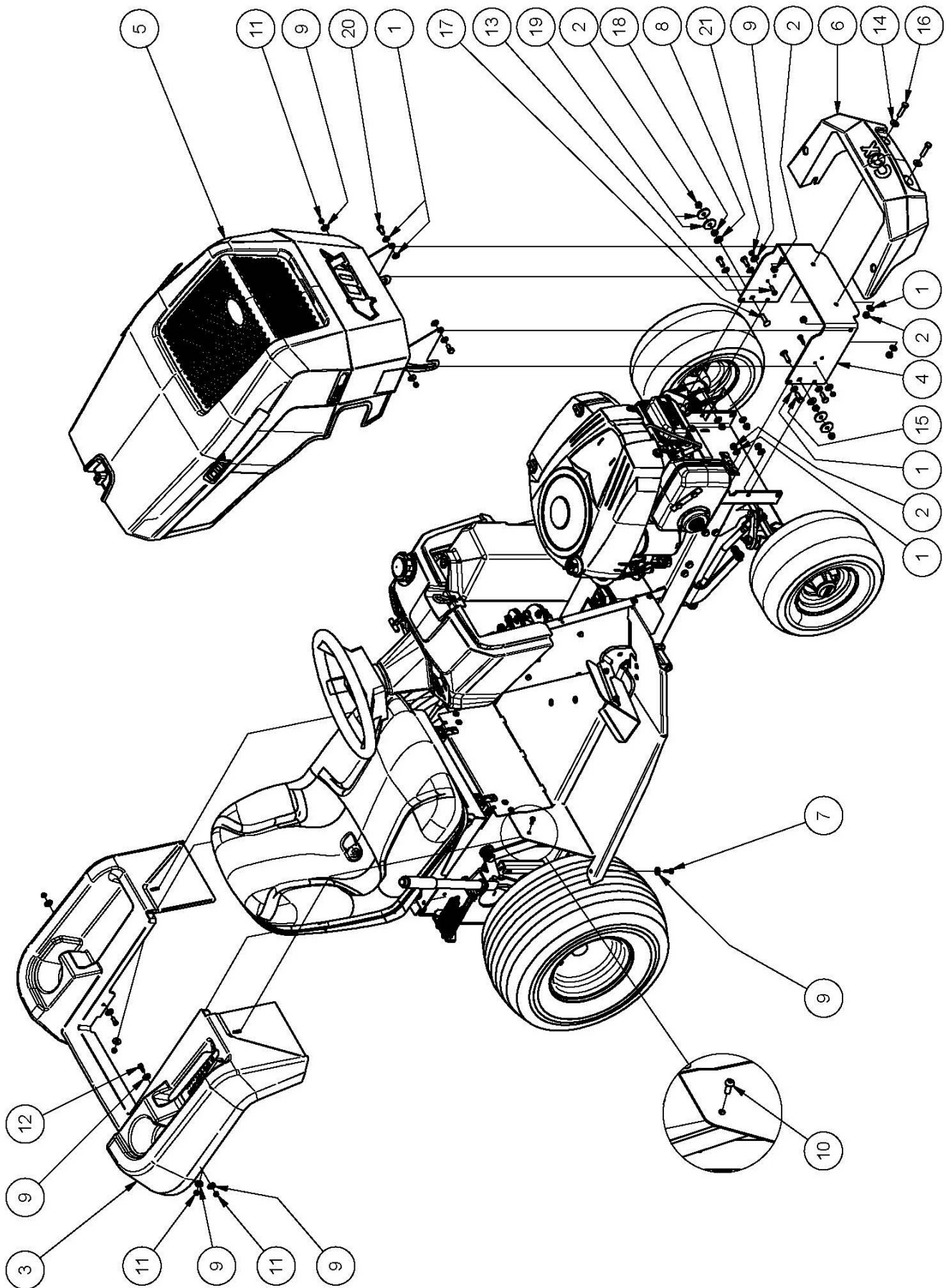
- 1) the costs of rental of another machine or related equipment while repairs are in progress;
- 2) telephone, facsimile or other related communication expenses.
- 3) transportation and insurance charges during transportation of failed Mower or any part thereof;
- 4) the labour, parts, mechanical adjustments or lubricant costs which, in the judgement of COX INDUSTRIES or their Dealer, should have been made as standard maintenance according to the COX INDUSTRIES maintenance schedule;
- 5) the replacement of or service costs relating to replacing and maintaining consumable parts which have ceased working through normal wear and tear such as, but not limited to, normal maintenance parts such as mower discs, blades, bolts and nuts, vee belts, bearings, chains and clutch cones;
- 6) any damage or defect caused by alteration, modification, fitment of a non-genuine part or attachment not approved by COX INDUSTRIES or repair, modification or work carried out on the Mower other than by a Dealer;
- 7) any defect caused by misuse, negligence, accidents or failure to carry out proper maintenance procedures;
- 8) damage caused by continued operation of the machine after it is known to be defective;
- 9) any other expenses incurred by the consumer in making the warranty claim;
- 10) damage caused by incorrect or improper operation (including racing or similar activities), maintenance or not following the instructions or maintenance requirements of the Mower in accordance with the instructions provided with the Mower;
- 11) damage caused by failure to clean or improper cleaning of the product;
- 12) damage caused by adverse external conditions such as thunderstorm activity, acts of God, acts of terrorism, damage caused by vermin, or any other act or circumstance beyond COX INDUSTRIES' control; or
- 13) damage caused by exposure to excessive heat, moisture or dampness, or exposure to abnormally corrosive conditions.

For the avoidance of any doubt, any and all warranties or conditions which are not guaranteed under the Australian Consumer Law or the Australian Competition and Consumer Regulations 2010 and which are not expressly included in this Warranty as additional warranties or conditions are excluded.

To the extent applicable by law, COX INDUSTRIES will not accept liability for costs of labour, postage, cartage or delivery to replace faulty materials or parts, or for any loss, damage or accident directly, indirectly, or consequently suffered by the purchaser, operator or any other person or property as a result of such faults whether due to defective materials or workmanship or otherwise.

**Due to COX INDUSTRIES on-going commitment to product improvement, we reserve the right to change at any time, product specifications, configurations and company policies.**

# PARTS LIST: BODY - BONNET & MUDGUARD

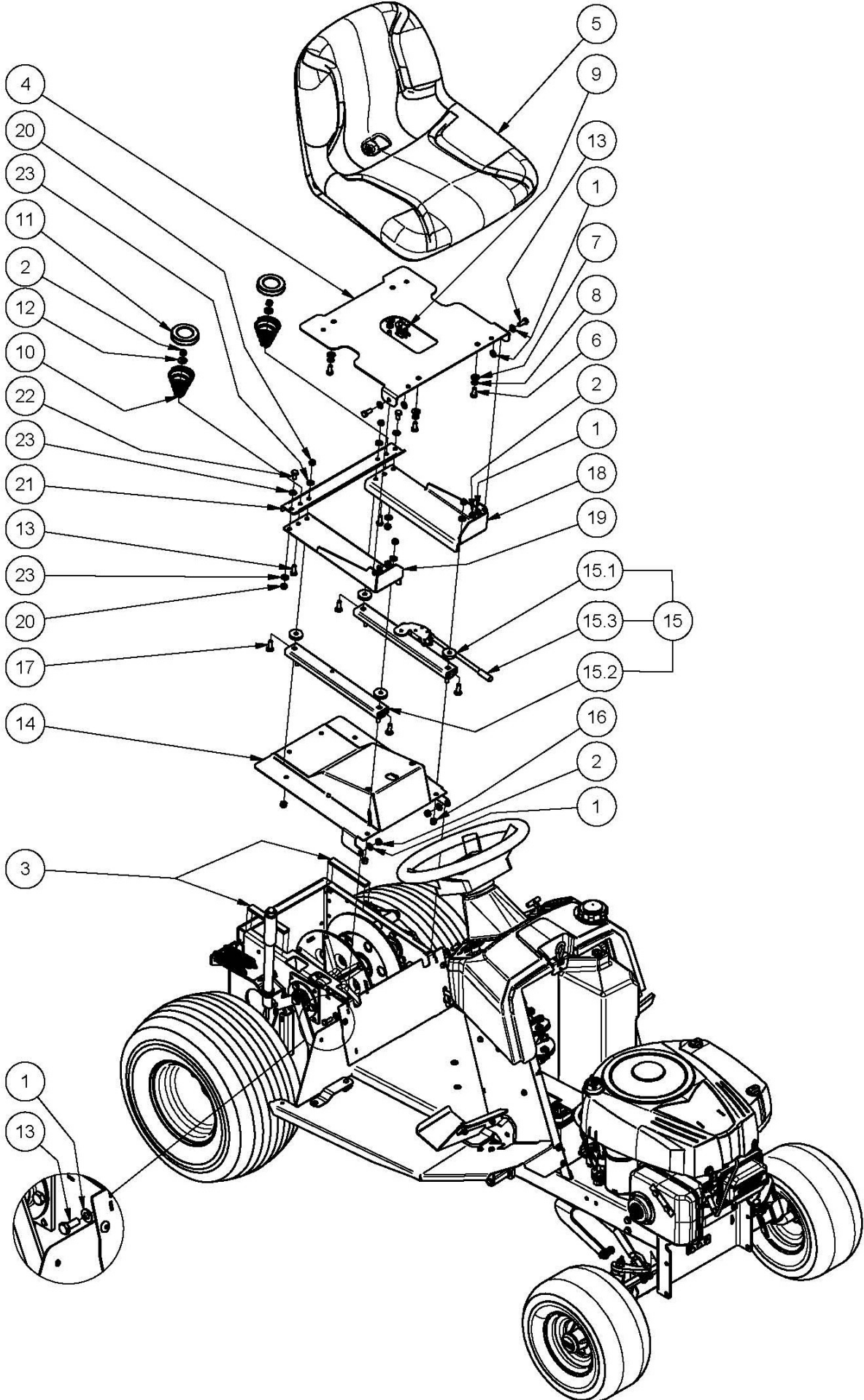




## PARTS LIST: BODY - BONNET & MUDGUARD

ITEM	PART NUMBER	DESCRIPTION	QTY
1	W08MN	Washer, Flat, Bright, M 8x 17x1, 2	14
2	NM8NT	Nut, Hex, Nyloc, Thin, M 8, Pc6	10
3	A168022	Mudguard, Rear	1
4	A163066R	Bar, Bumper, Red	1
5		Sub-Assy, Bonnet, Sman 4500, B&S, 19.0	1
6	A163014	Bumper, Front	1
7	SPPK6X20	Screw, Pan, Posi3, K 6x 20	2
8	W10MN	Washer, Flat, Bright, M10x 21x1.6	2
9	W041216	Washer, Flat, Bright, 1/4"X3/4"X16g	12
10	BHSSM6X16	Screw, Button, Hex Soc, M 6x 16, Pc10.9	2
11	NM6NT	Nut, Hex, Nyloc, Thin, M 6, Pc6	6
12	SH0616M	Screw, Hex, M 6x 16, Pc4.6	2
13	SH0620M	Screw, Hex, M 6x20, Pc4.6	2
14	W05M202	Washer, Flat, Bright, 5/16"X3/4"X14g	2
15	SH0820M	Screw, Hex, M 8x 20, Pc8.8	4
16	B0835M	Bolt, Hex, M8 X 35, Pc8.8	2
17	BCHSNM8X30	Bolt, Cup, Sq Neck, M8 X 30 Pc4.6.	2
18	NHM8	Nut, Hex, M8	2
19	W052003	Washer, Flat, Black, 5/16"X1-1/4"X3	4
20	SH0816M	Screw, Hex, M 8x 16, Pc8.8	2
21	NHM6	Nut, Hex, M 6, Pc5	2

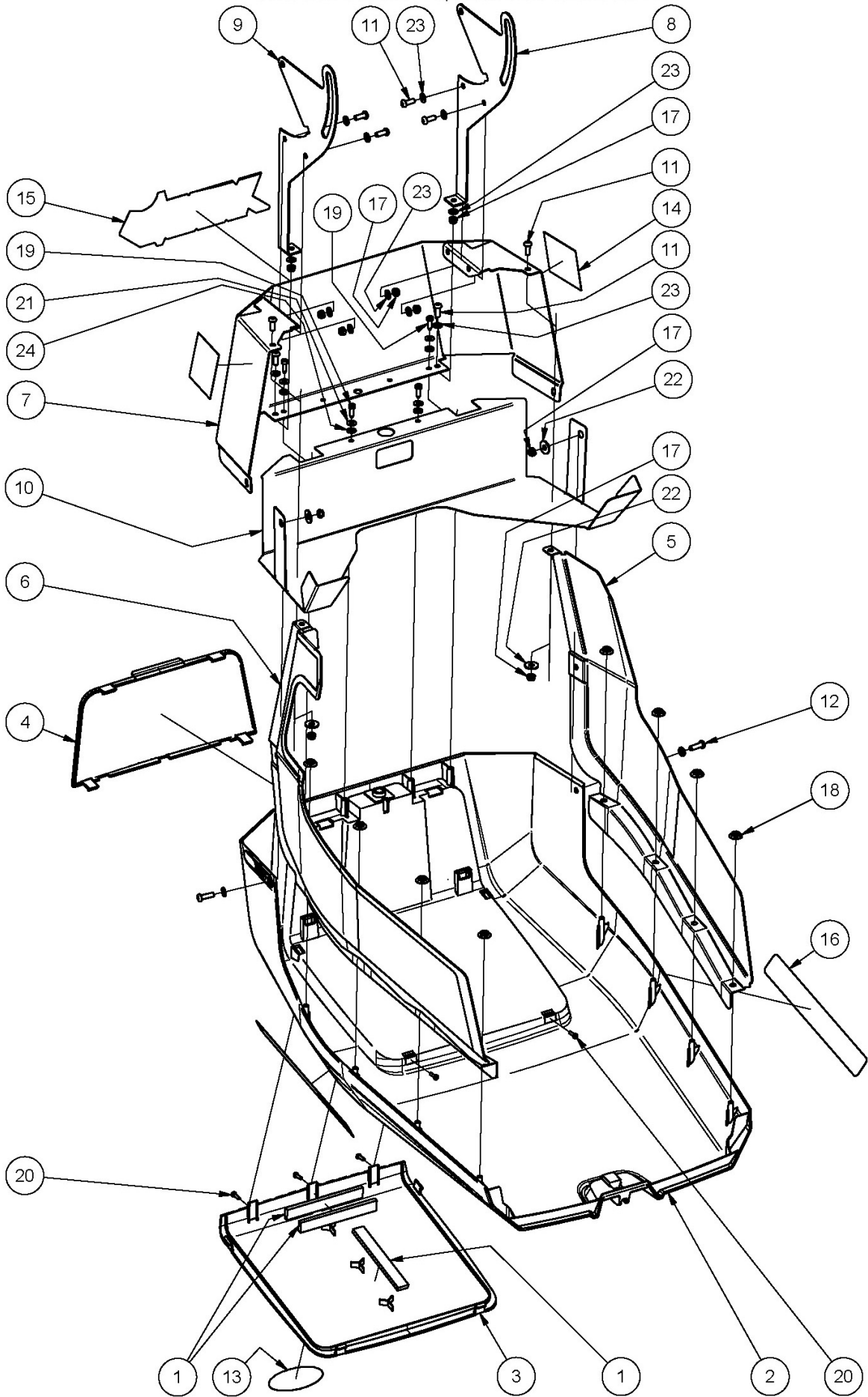
# PARTS LIST: BODY - SEAT



## PARTS LIST: BODY - SEAT

ITEM	PART NUMBER	DESCRIPTION	QTY
1	W08MN	Washer, Flat, Bright, M 8x 17x1, 2	8
2	NM8NT	Nut, Hex, Nyloc, Thin, M 8, Pc6	4
3	89073	Strip, Tape 125mm Long	2
4	A168143B	Mount, Seat, Black	1
5	A120850	Seat	1
6	SH0516C	Screw, Hex, Unc, 5/16"X1", Gr5	4
7	W051218	Washer, Flat, Bright, 5/16"X3/4"X18g	4
8	WS050216	Washer, Lock, Spring, 5/16"X1/8"X1/16"	4
9	SP1PNC5M	Switch, Plunger, 1 Pole, Nc, Snap Mtg	1
10	A163060	Spring, Compression, Conical, Seat, Heavy	2
11	A168231	Cap, Spring, Seat	2
12	W05M202	Washer, Flat, Bright, 5/16"X3/4"X14g	2
13	SH0820M	Screw, Hex, M 8x 20, Pc8.8	4
14	A168135R	Cover, Transmission, Red	1
15	A126052	Kit, Adjust, Seat, 4" Travel	1
15.1		Spacer, 5/16"X1-1/4"X1/4", Plastic, Black	4
15.2		Runner, Seat	1
15.3		Adjuster, Seat, 4" Travel	1
16	N05CN	Nut, Hex, Nyloc, Thick, Unc, 5/16", Gr5	4
17	BCHSNM8X25	Bolt, Cup, Sq Neck, M8 X 20 PC4.6	4
18	A168137B	Frame, Slide, Seat, Left, Black	1
19	A168139B	Frame, Slide, Seat, Right, Black	1
20	NHCM8	Nut, Hex, Conelok, M 8, Pc8	4
21	A168141B	Frame, Slide, Seat, Rear, Black	1
22	SH0816M	Screw, Hex, M 8x 16, Pc8.8	2
23	W08MN	Washer, Flat, Bright, M 8x 17x1, 2	6

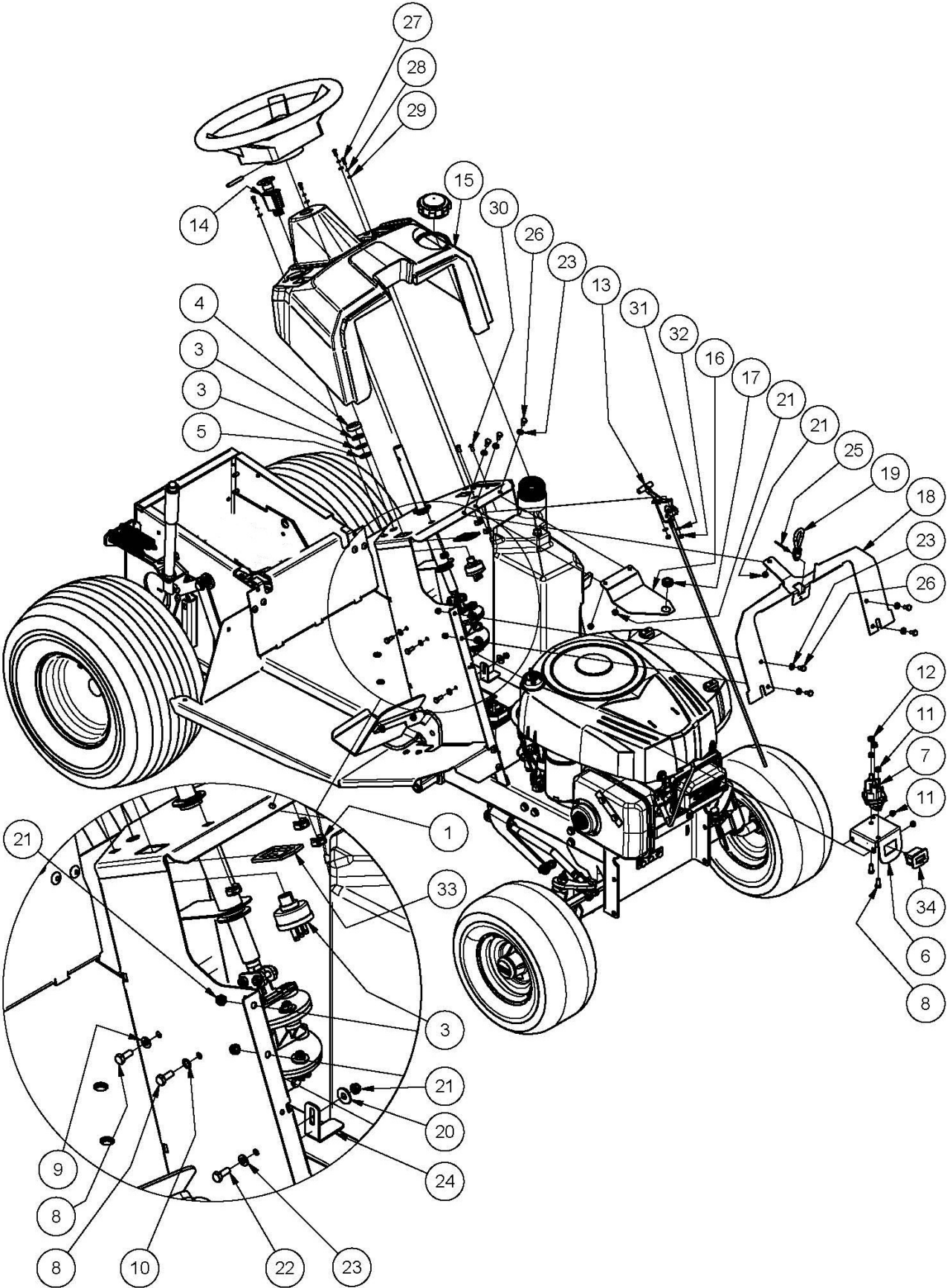
# PARTS LIST: BONNET



## PARTS LIST: BONNET

ITEM	PART NUMBER	DESCRIPTION	QTY
1	89073	Strip, Battery	3
2	A168020	Cowl, Bonnet, Red	1
3	A168026	Grill, Bonnet, Top, Black	1
4	A168028	Grill, Bonnet, Front, Black	1
5	A168033B	Mesh, Side, Left, Black	1
6	A168035B	Mesh, Side, Right, Black	1
7	A168121R	Nose, Bonnet, Red	1
8	A168123R	Stay, Bonnet, Left, Red	1
9	A168125R	Stay, Bonnet, Right, Red	1
10	A168239B	Baffle, Air, Hot, Bonnet, B&S, 20.0, Black	1
11	BHSSM6X16	Screw, Button, Hex Soc, M 6x 16, Pc10.9	8
12	BHSSM6X20	Screw, Button, Hex Soc, M 6x 20, Pc10.9	2
13	DEC180	Badge, Bonnet	1
14	DEC240	Decal, Proudly Australian, Red	2
15	DEC330	Decal, Cox, 250x 80, Red	1
16	DEC333	Decal, Stockman 4500, Cox, Bonnet	2
17	NM6NT	Nut, Hex, Nyloc, Thin, M 6, Pc6	10
18	NTF6.3	Nut, Hex Wash, Self-Thread, 6.3	8
19	SPPK5X16	Screw, Pan, Pozi2, K 5x 16	4
20	ST0610B	Screw, Pan, Selftap, Ph2, #6-20x 5/8"	5
21	W030820	Washer, Flat, Bright, 3/16" X 1/2"X 20 G	4
22	W041216	Washer, Flat, Bright, 1/4"X3/4"X16g	4
23	W06MN	Washer, Flat, Bright, M 6x 12.5x1.2	14
24	WSR12	Washer, Seal	4

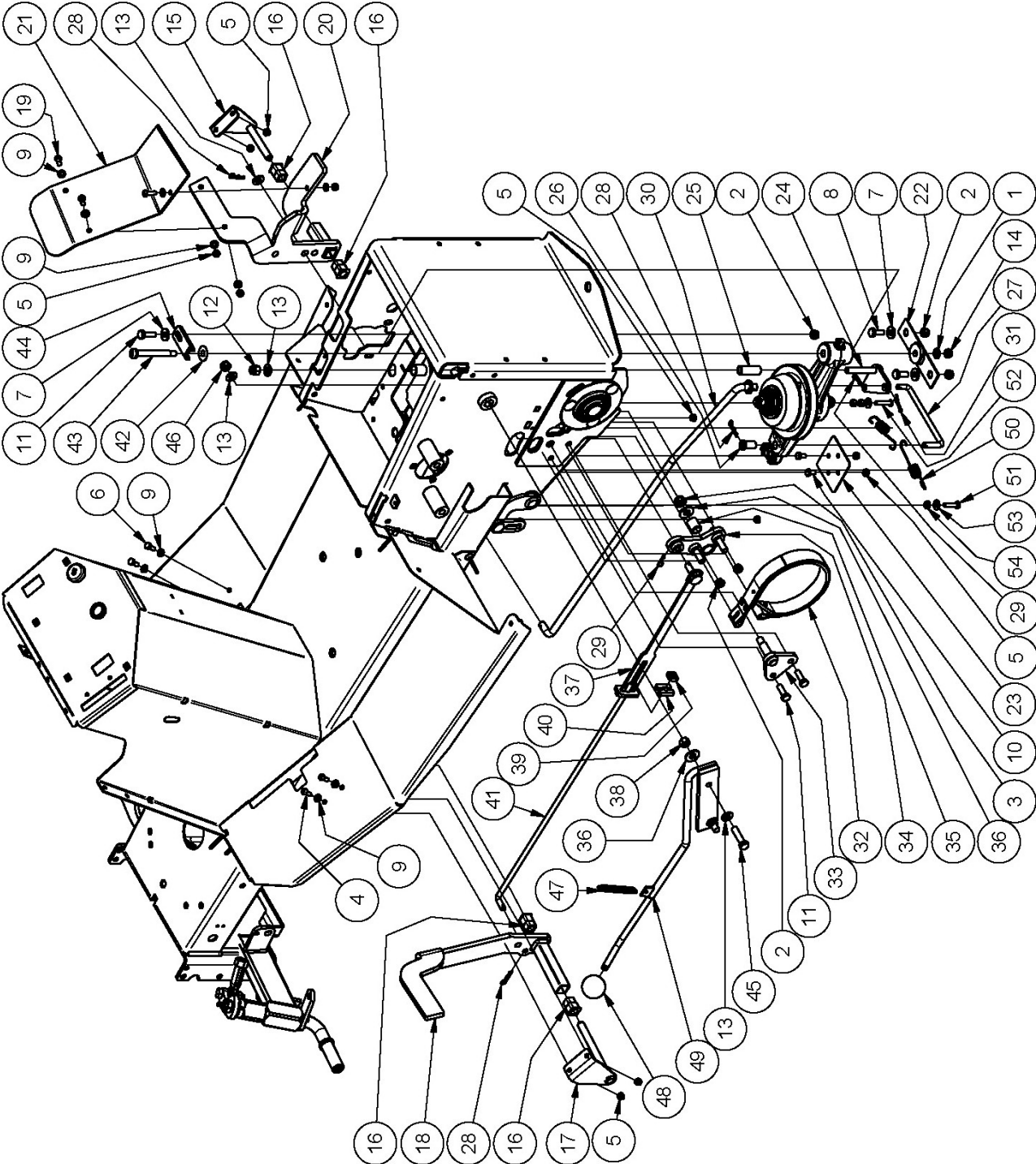
# PARTS LIST: BODY - CONSOLE



## PARTS LIST: BODY - CONSOLE

ITEM	PART NUMBER	DESCRIPTION	QTY
1	NCM4X1.6X9.5	Nut, Cage, M 4, 1.6 Panel, 9.5sq Hole	4
2	13012	Bush, Flanged, Nylon, 19idx22odx45l	2
3	13125	Switch, Key, 3 Posn, Magneto, 6 Term	1
4	A120870	Bezel, Switch, Key	1
5	A120872Z	Washer, D, 16.1x24.0x2.5	1
6	A168009Z	Bracket, Solenoid + Hourmeter	1
7	AM159	Solenoid	1
8	SH0616M	Screw, Hex, M 6x 16, Pc4.6	4
9	W06MN	Washer, Flat, Bright, M 6x 12.5x1.2	1
10	WM6S	Washer, Lock, Int Tooth, M 6	1
11	NM6NT	Nut, Hex, Nyloc, Thin, M 6, Pc6	4
12	N04C	Nut, Hex, Unc, 1/4", Gr5	2
13	A168235	Control, Speed, Engine, B&S, L= 985	1
14	A168117	Switch, Pto, Push-Pull, Nodtdt, Yellow	1
15	A168024	Dash, Console	1
16	A168131B	Bracket, Tank, Fuel	1
17	80037	Grommet	1
18	A168133B	Strut, Console	1
19	96114	Strap, Bonnet	1
20	W041216	Washer, Flat, Bright, 1/4"X3/4"X16g	1
21	NM6NT	Nut, Hex, Nyloc, Thin, M 6, Pc6	8
22	SH0616M	Screw, Hex, M 6x 16, Pc4.6	1
23	W06MN	Washer, Flat, Bright, M 6x 12.5x1.2	8
24	90139	Clamp, Battery	1
25	PR04M4.8	Rivet, Blind, Truss, Mon, 4.0x 8.4, 73ms 5-3	1
26	SH0612M	Screw, Hex, M 6x 12, Pc4.6, Znpl	7
27	SPM4X12	Screw, Pan, X Recess, M 4 X 12, Znpl	4
28	WSM4X1.2X1.2	Washer, Lock, Spring, M 4x1.2x1.2, Znpl	4
29	W04MN	Washer, Flat, Bright, M 4x 9x 0.8, Znpl	4
30	BHSSM5X12	Screw, Button, Hex Soc, M 5 X 12, Pc10.9, Znpl	2
31	W05MN	Washer, Flat, Bright, M 5x 10x1.0, Znpl	2
32	NM5NT	Nut, Hex, Nyloc, Thin, M5, Pc6, Znpl	2
33	A102190	Ring, Retainer, Switch, Pto	1
34	A163081	Meter, Hour	1

# PARTS LIST: CONTROLS

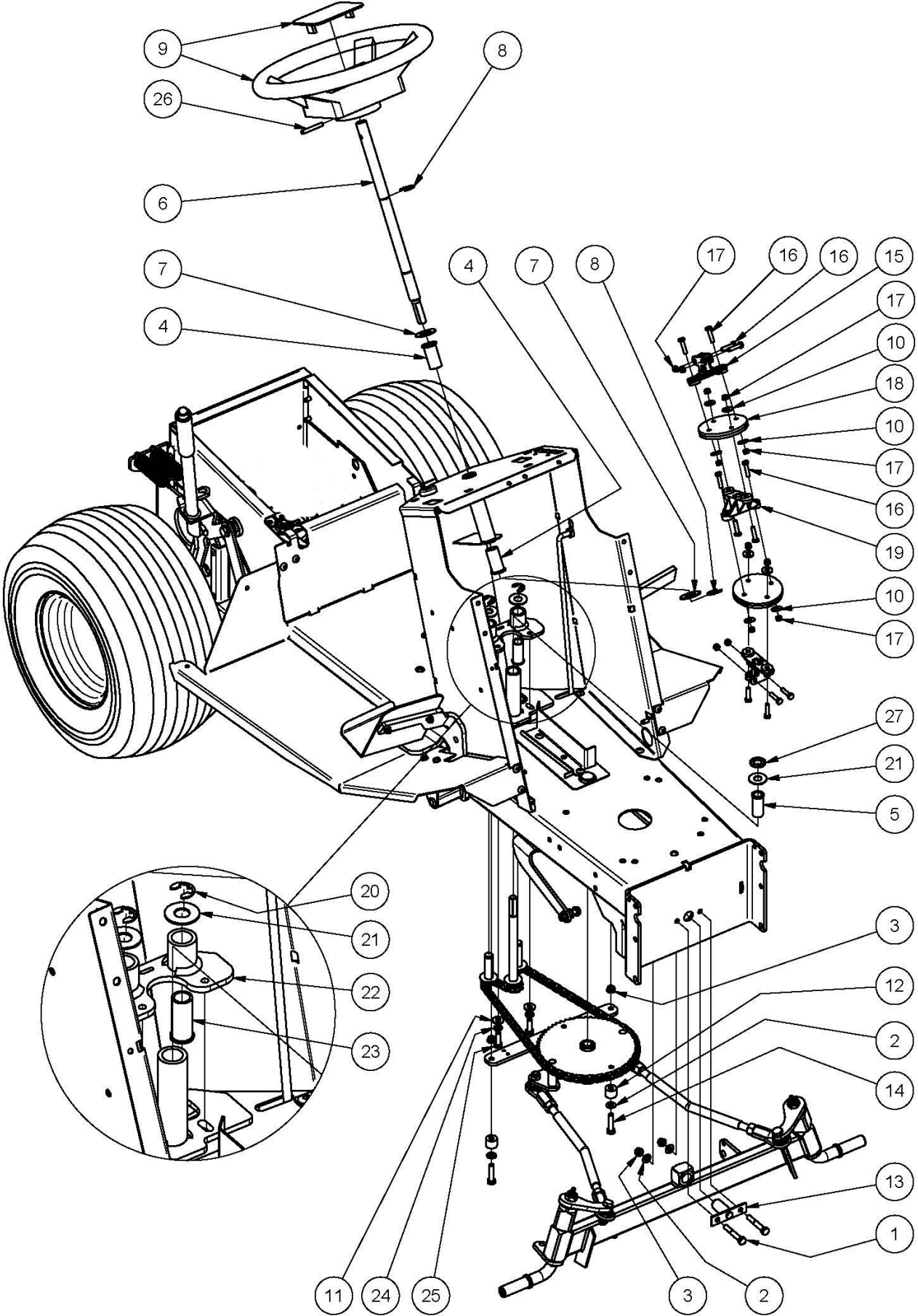




## PARTS LIST: CONTROLS

ITEM	PART NUMBER	DESCRIPTION	QTY
1	W08MN	Washer, Flat, Bright, M 8x 17x1,2	1
2	NM8NT	Nut, Hex, Nyloc, Thin, M 8, Pc6	5
3	NM10NT	Nut, Hex, Nyloc, Thin, M10, Pc6	1
4	BHSSM6X16	Screw, Button, Hex Soc, M 6x 16, Pc10.9	2
5	NM6NT	Nut, Hex, Nyloc, Thin, M 6, Pc6	11
6	SH0616M	Screw, Hex, M 6x 16, Pc4.6	2
7	W05M202	Washer, Flat, Bright, 5/16"X3/4"X14g	7
8	SH0820M	Screw, Hex, M 8x 20, Pc8.8	2
9	W06MN	Washer, Flat, Bright, M 6x 12.5x1.2	10
10	SH0612M	Screw, Hex, M 6x 12, Pc4.6	2
11	SH0825M	Screw, Hex, M 8x 25, Pc8.8	3
12	NF06CN	Nut, Hex, Nyloc, Thick, Unc, 3/8, Gr5	1
13	W061216	Washer, Flat, Bright, 3/8"X3/4"X16g	2
14	NHCM8	Nut, Hex, Conelok, M 8, Pc8	1
15	A168165Z	Pivot, Pedal, Drive	1
16	AM230	Bush - Plastic	4
17	A168179Z	Pivot, Pedal, Brake	1
18	A168177R	Lever, Pedal, Clutch/Brake	1
19	BHSSM6X20	Screw, Button, Hex Soc, M 6x 20, Pc10.9	3
20	A168163R	Lever, Pedal, Drive, Live	1
21	A168221R	Rest, Foot, Pedal, Drive, Live	1
22	90289	Mount, Pivot, Lower	1
23	A168225Z	Wearplate, Shoe	1
24	A168159Z	Crank, Link, Drive	1
25	AM328	Pivot Bush, Lever	1
26	A132027Z	Sleeve, Withdrawl, Link	1
27	A132025Z	Link, Drive, Short	1
28	RP01	Pin, 'R'	1
29	RP04	Pin, 'R'	2
30	A168161Z	Link, Drive, Long	1
31	CP3-220	Pin, Split	1
32	1302305E	Brake, Ext, Drum Type	1
33	A157116Z	Pivot, Arm, Brake	1
34	A168171Z	Lever, Actuation, Brake	1
35	13025	Nylon Bush, Brake Lever	1
36	W10M	Washer	1
37	A168173Z	Trunnion, Link, Brake	1
38	N06C	Nut, Hex, Unc, 3/8"	1
39	NS05C	Nut, Sqr, Unc, 5/16"	1
40	A168181Z	Yoke, Link, Brake	1
41	A168175Z	Rod, Link, Adjust, Brake	1
42	WW0616	Washer, Wave, 3/8"X1"	1
43	90276	Bolt, Pivot, Arm, Clutch	1
44	90297	Keeper, Bolt, Pivot	1
45	B0624C	Bolt, 3/8" X 1 1/2" Unc	1
46	N06CN	Nut, Hex, Nyloc, Unc, 3/8"	1
47	AM288	Spring, Extension	2
48	AM290	Hand Brake Knob	1
49	A168183Z	Lever, Brake, Parkl	1
50	AM183	Spring, Extension	2
51	B0625M	Bolt, Hex, M6x25, Gr 8.8	1
52	BHSSM6X30	Screw, Button, Hex Soc, M6 X 30, Pc10.9	1
53	W041018	Washer, Flat, Bright, 1/4"X5/8"X18g	2
54	NHM6	Nut, Hex, M 6, Pc5	3

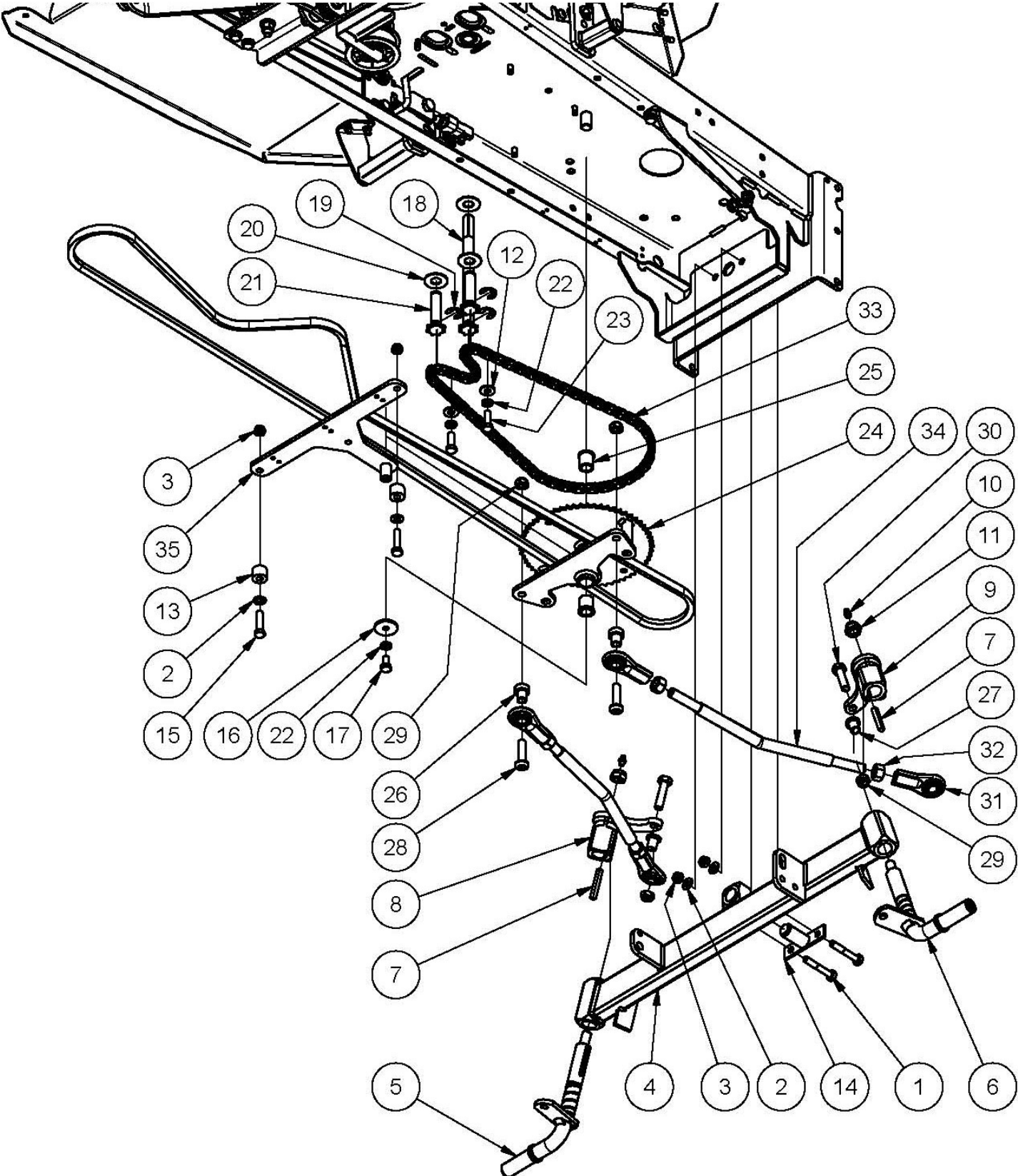
# PARTS LIST: STEERING UPPER



## PARTS LIST: STEERING UPPER

ITEM	PART NUMBER	DESCRIPTION	QTY
1	B0850M	Bolt, Hex, M 8x 50, Pc8.8	2
2	W08MN	Washer, Flat, Bright, M 8x 17x1, 2	4
3	NM8NT	Nut, Hex, Nyloc, Thin, M 8, Pc6	4
4	13012	Bush, Flanged, Nylon, 19idx22odx45l	2
5	AM017C1	Steering Shaft Bush With Collar	2
6	A168078Z	Shaft, Steering, Upper	1
7	W122414	Washer, Flat, Bright, 3/4"X1-1/2"X 14g	2
8	C02	Circlip, Ext, 'E' Type	2
9	SW14H	Wheel, Steering, 14", 02hub+Cover	1
10	W041216	Washer, Flat, Bright, 1/4"X3/4"X16g	8
11	W05M202	Washer, Flat, Bright, 5/16"X3/4"X14g	2
12	A168087Z	Spacer, 8.5id, 20od, L=16	2
13	13242	Pin, Pivot, Front Axle	1
14	B0835M	Bolt, Hex, M8 X 35, Pc8.8	2
15	A126174Z	Yoke, Joint, Universal, Steering	2
16	B0625M	Bolt, Hex, M6x25, Gr 8.8	12
17	NHCM6	Nut, Hex, Conelok, M 6, Pc8	12
18	AM25399J	Disc, Universal Joint	2
19	A168076	Cross, Joint, Steering	1
20	C05	Circlip, Ext, "E"Type	2
21	W092016	Washer, Flat, Bright, 9/16" X 1+1/4" X 16g	2
22	A168072Z	Tensioner, Chain, Steering	1
23	AM017C1	Steering Shaft Bush With Collar	2
24	WS050216	Washer, Lock, Spring, 5/16"X1/8"X1/16"	2
25	SH0825M	Screw, Hex, M 8x 25, Pc8.8	2
26	DP10	Pin, Roll, Spring, 1/4"X1-3/4"	1
27	89100	Fastener, Pushon, Round, 1/4"	1

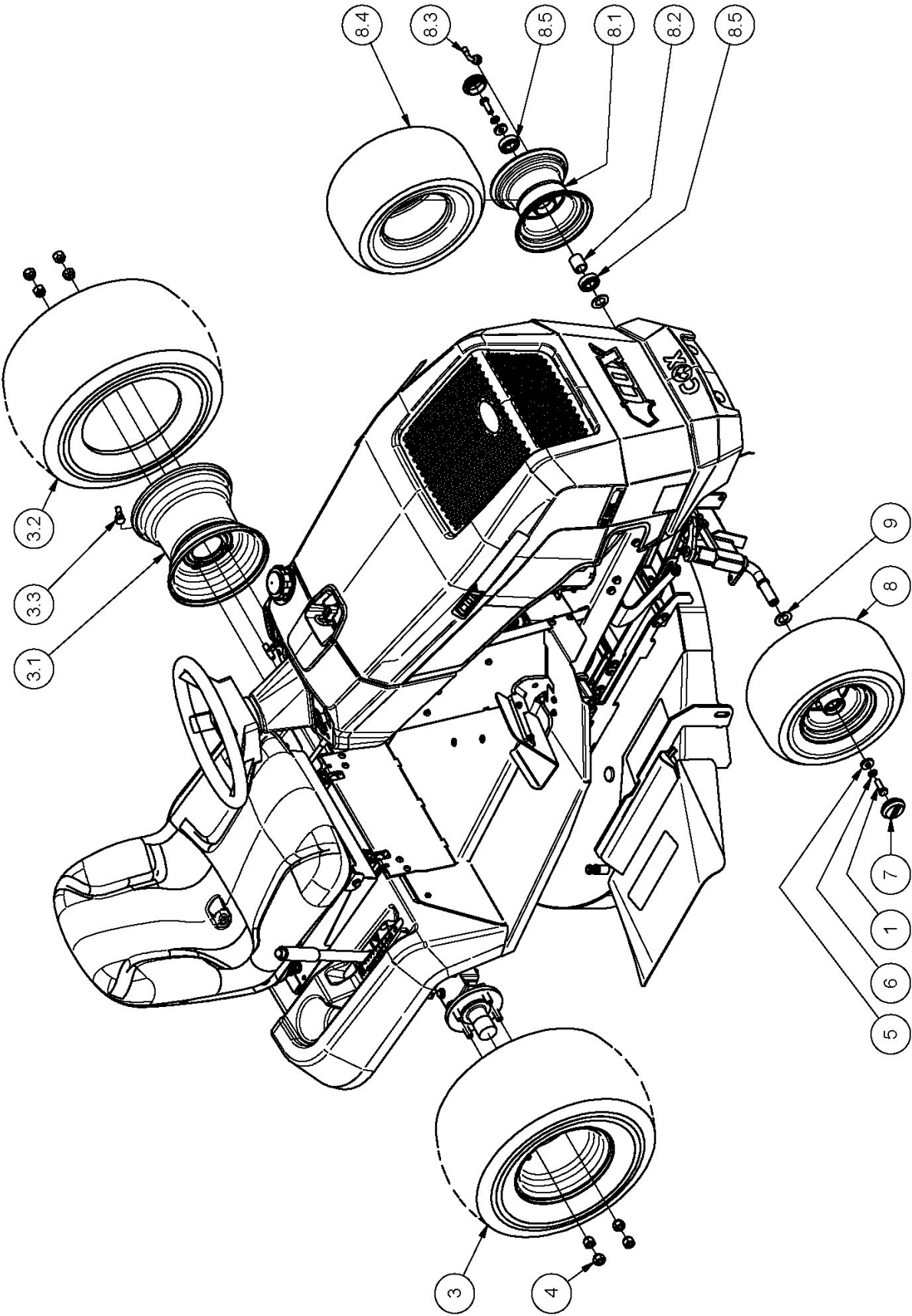
# PARTS LIST: STEERING LOWER



## PARTS LIST: STEERING LOWER

ITEM	PART NUMBER	DESCRIPTION	QTY
1	B0850M	Bolt, Hex, M 8x 50, Pc8.8	2
2	W08MN	Washer, Flat, Bright, M 8x 17x1, 2	4
3	NM8NT	Nut, Hex, Nyloc, Thin, M 8, Pc6	4
4	A168096R	Beam, Axle, Front	1
5	A168099Z	Axle, Stub, M10, 107.5 Deg, Left	1
6	A168101Z	Axle, Stub, M10, 107.5 Deg, Right	1
7	14008	Key	2
8	A168092R	Arm, Steering, Left, Red	1
9	A168094R	Arm, Steering, Right, Red	1
10	GNTF3	Nipple, Grease, Straight	2
11	NM12NT	Nut, Hex, Nyloc, Thin, M12, Pc6	2
12	W05M202	Washer, Flat, 5/16"X3/4"X14g	2
13	A168087Z	Spacer, 8.5id, 20od, L=16	2
14	13242	Pin, Pivot, Front Axle	1
15	B0835M	Bolt, Hex, M8 X 35, Pc8.8	2
16	W052003	Washer, Flat, Black, 5/16"X1-1/4"X3	1
17	SH0816M	Screw, Hex, M 8x 16, Pc8.8	1
18	A168229Z	Shaft, Steering, Lower, 06b-8x195	1
19	C05	Circlip, Ext, "E"Type	3
20	W092016	Washer, Flat, Bright, 9/16" X 1+1/4" X 16g	3
21	A168074Z	Shaft, Steering, Idler	2
22	WS050216	Washer, Lock, Spring, 5/16"X1/8"X1/16"	1
23	SH0825M	Screw, Hex, M 8x 25, Pc8.8	2
24	A168083Z	Crank, Steering	1
25	A120685	Bush, Pivot, Tensioner	2
26	A168185Z	Sleeve, Spacer, 1/2"Rod End	2
27	15173	Sleeve, Spacer, 3/8"-1/2"Rod End	2
28	BHSSM10X40	Screw, Button, Hex Soc, M10x 40, Pc10.9	2
29	NHCM10	Nut, Hex, Conelok, M10, Pc8	4
30	B1040M	Bolt, Hex, M10x40, Pc8	2
31	RE12INT	End, Rod, Stamp, Unf, 1/2" Int	4
32	N08F	Nut, Hex, Unf, 1/2", Gr5	4
33	A168080	Chain, Roller	1
34	A168090Z	Rod, Steering, Bent, Unf, 1/2", L=315	2
35	A168085Z	Bracket, Pivot, Steering, Bottom	1

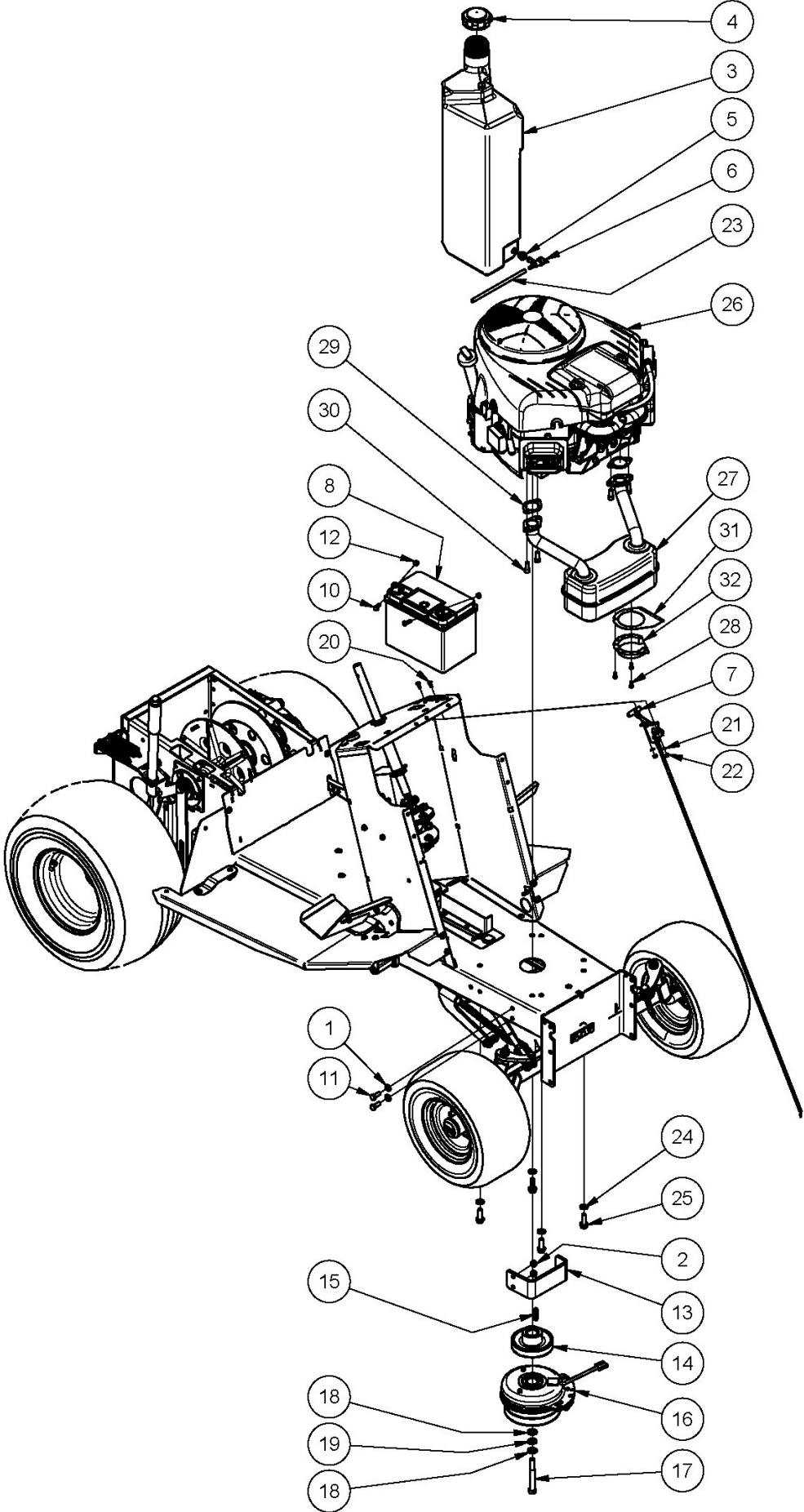
# PARTS LIST: WHEELS



## PARTS LIST: WHEELS

ITEM	PART NUMBER	DESCRIPTION	QTY
1	SH1030M10.9	Screw, Hex, M10x 30, Pc10.9	2
2	W203806	Washer, Flat, 20x38x6	2
3	A120865TPC	Wheel, 18x950	2
3.1	A120897S	Rim	1
3.2	TT18X950-8SS	Tyre, 18x 950- 8, 4PLY, Tubeless	1
3.3		Valve, Tubeless, Snap-In, Tr412, C1 Core+Vc3 Cap	1
4	NHWM12X1.5	Nut, Hex, Wheel m12x1.5, 60 Deg	8
5	W102705	Washer, Flat, Black, 10.5x27x5	2
6	WSM10X3.66X2.69	Washer, Lock, Spring, M10x3.66x2.69, Gal	2
7	AM07099C	Cap, Hub, 42dia, Black	2
8	A168108	Wheel, 13x650	2
8.1	A168110	Rim	1
8.2	AM021	Sleeve, Spacer, Bearing, L=30	1
8.3		Valve, Tubeless, Snap-In, Tr412bent, C1 Core+Vc3 Cap	1
8.4	TT13x650-6SSTPC	Tyre, 13x 6.50- 6, 4ply, Tubeless	1
8.5	BB204212N	Bearing, Ball	2
9	W203806	Washer, Flat	2

# PARTS LIST: ENGINE ANCILLARY 890mm (35")

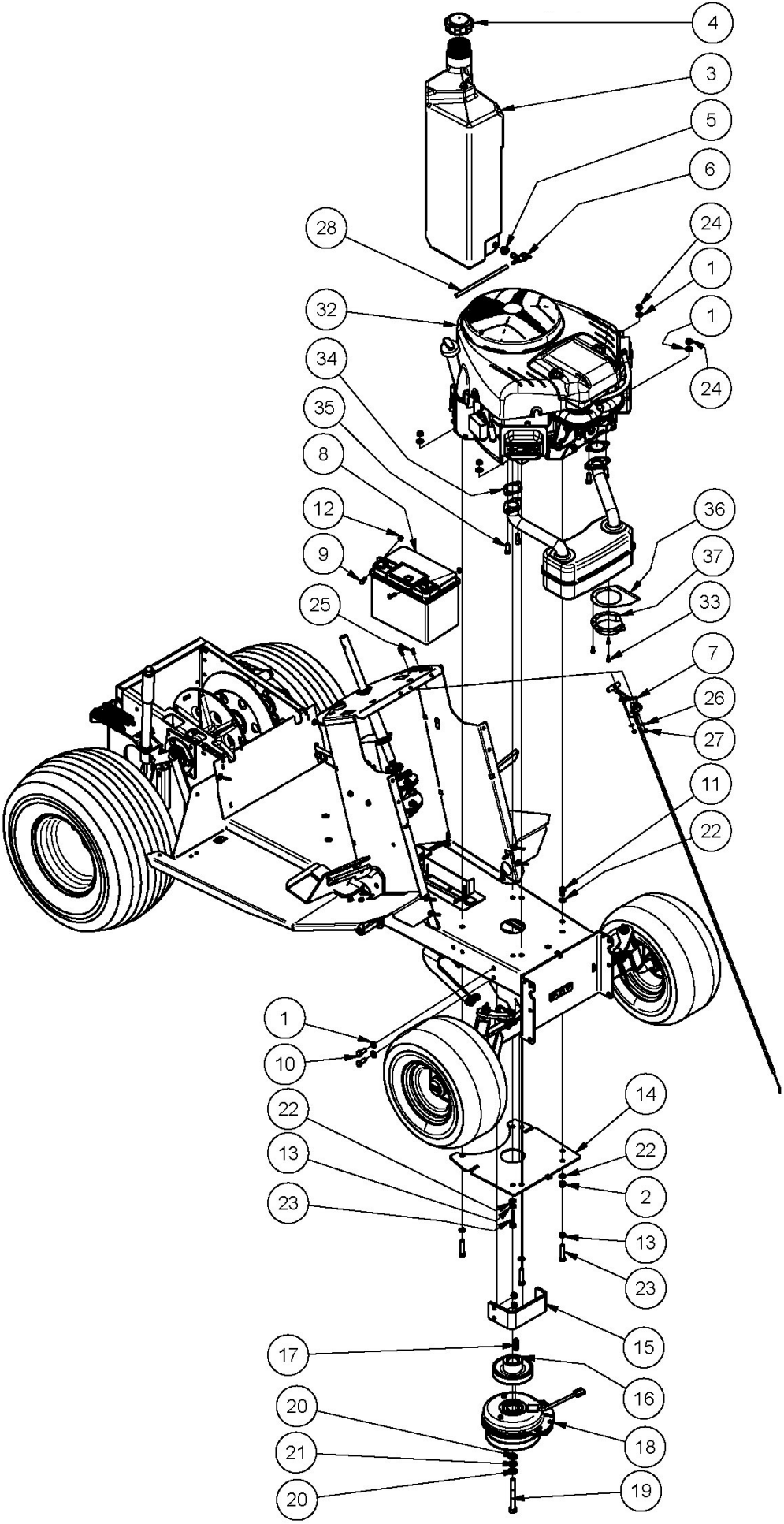




## PARTS LIST: ENGINE ANCILLARY 890mm (35")

ITEM	PART NUMBER	DESCRIPTION	QTY
1	W08MN	Washer, Flat, Bright, M 8x 17x1, 2	2
2	NM8NT	Nut, Hex, Nyloc, Thin, M 8, Pc6	2
3	A168032	Tank, Fuel, 10.5l	1
4	CF01	Cap, Fuel	1
5	AM294	Grommet, Fuel Tap	1
6	AM293	Petrol Tap	1
7	A168235	Control, Speed, Engine, B&S, L= 985	1
8	AM109	Battery, Automotive, 12v, CMFU1, 9pl, 240cca	1
10	SH0616M	Screw, Hex, M 6x 16, Pc4.6	2
11	SH0820M	Screw, Hex, M 8x 20, Pc8.8	2
12	NHM6	Nut, Hex, M 6, Pc5	2
13	A168147Z	Tang, Clutch/Brake	1
14	A168040	Pulley, Engine	1
15	AM175	Key	1
16	A120516	Clutch/Brake, Elecmagnet, 25.4xb121, Ccw, Tg	1
17	B0756F	Bolt, Hex, Unf, 7/16x3-1/2", Gr5	1
18	W071416	Washer, Flat, Bright, 7/16"X7/8"X16g	2
19	WS071008	Washer, Lock, Spring, 7/16"X5/32"X1/8"	1
20	BHSSM5X12	Screw, Button, Hex Soc, M 5 X 12, Pc10.9	2
21	W05MN	Washer, Flat, Bright, M 5x 10x1.0	2
22	NM5NT	Nut, Hex, Nyloc, Thin, M5, Pc6, Znpl	2
23	14107	Line, Fuel, L=180	1
24	W06S	Washer, Lock, Int Tooth, 3/8", Zn Pl	4
25	STF0618	Screw, Hex Wash, Taptite Ii, 3/8"X1-1/8"	4
26	E20.0I2VEB	Engine, 20.0hp, V2cyl, Elec, B&S, 40N877	1
27	A172131	Muffler, Exhaust, B&S, 22.0+24.0hp	1
28		Screw, Hex Wash, #8-32x1/2", Dog Point	4
29		Gasket, Exhaust, B&S, 690970	2
30		Screw, Exhaust, B&S, 690341	4
31	80025	Deflector, Exhaust Gas	1
32		Deflector, Muffler, B&S 222573	1

# PARTS LIST: ENGINE ANCILLARY 1055mm (42")



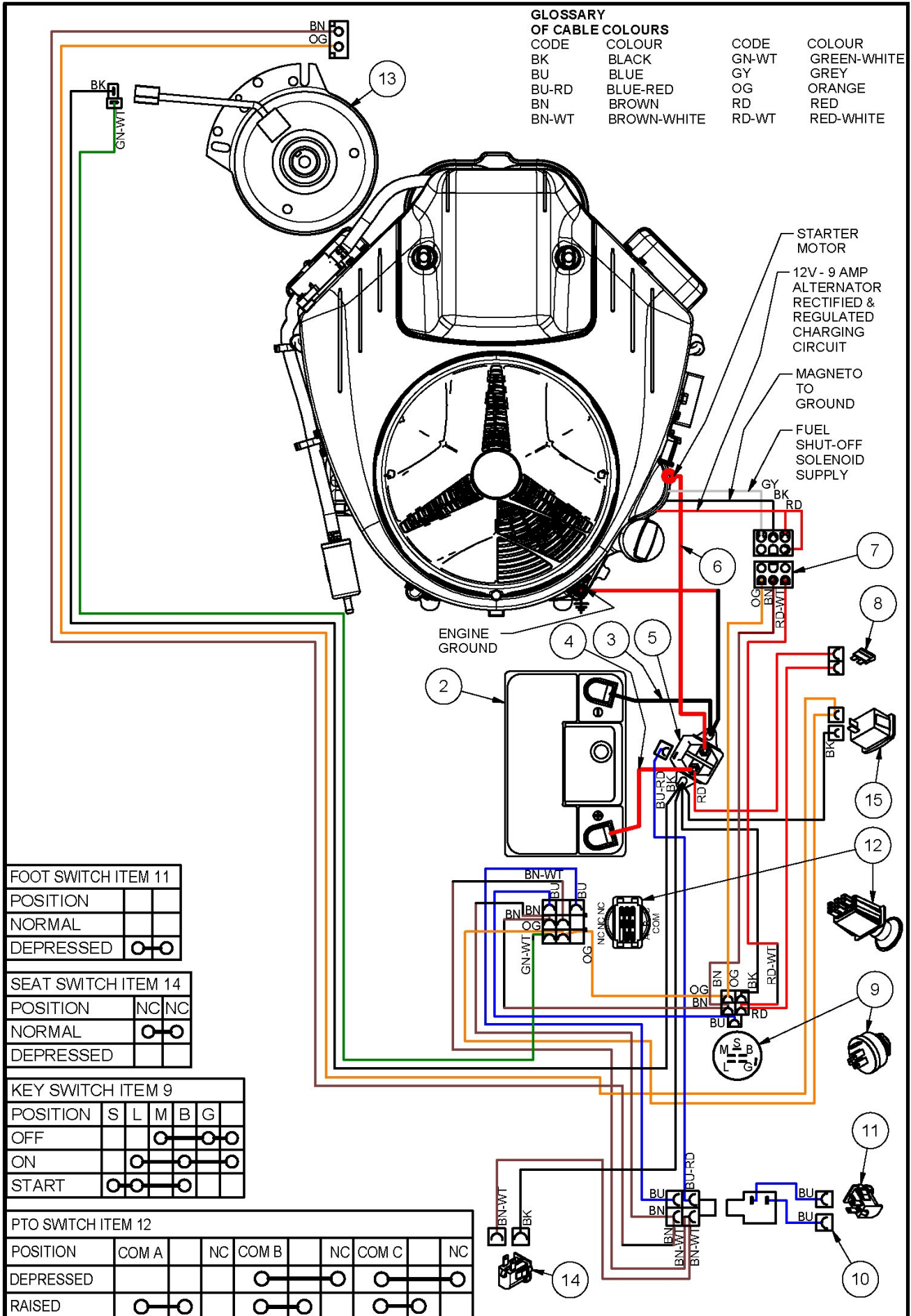
## PARTS LIST: ENGINE ANCILLARY 1055mm (42")

ITEM	PART NUMBER	DESCRIPTION	QTY
1	W08MN	Washer, Flat, Bright, M 8x 17x1, 2	10
2	NM8NT	Nut, Hex, Nyloc, Thin, M 8, Pc6	7
3	A168032	Tank, Fuel, 10.5l, Opaque	1
4	CF01	Cap, Fuel	1
5	AM294	Grommet, Fuel Tap	1
6	AM293	Petrol Tap	1
7	A168235	Control, Speed, Engine, B&S, L= 670	1
8		Battery, Automotive, 12v, CMFU1, 9pl, 240cca	1
9	SH0616M	Screw, Hex, M 6x 16, Pc4.6	2
10	SH0820M	Screw, Hex, M 8x 20, Pc8.8	2
11	SH0816M	Screw, Hex, M 8x 16, Pc8.8	5
12	NHM6	Nut, Hex, M 6, Pc5	2
13	WS050216	Washer, Lock, Spring, 5/16"X1/8"X1/16"	4
14	A169229R	Reinforce, Mount, Engine, Red - A16816F 1055 (42")/ A16915g 890 (35")	1
15	A168147Z	Tang, Clutch/Brake	1
16	A168040	Pulley, Engine	1
17	AM175	Key	1
18	A120516	Clutch/Brake, Elec magnet	1
19	B0756F	Bolt, Hex, Unf, 7/16x3-1/2", Gr5	1
20	W071416	Washer, Flat, Bright, 7/16"X7/8"X16g	2
21	WS071008	Washer, Lock, Spring, 7/16"X5/32"X1/8"	1
22	W05SE	Washer, Lock, Ext Tooth, 5/16"	3
23	B0840M	Bolt, Hex, M8x40, Pc8	4
24	NHCM8	Nut, Hex, Conelok, M 8, Pc8	5
25	BHSSM5X12	Screw, Button, Hex Soc, M 5 X 12, Pc10.9	2
26	W05MN	Washer, Flat, Bright, M 5x 10x1.0	2
27	NM5NT	Nut, Hex, Nyloc, Thin, M5, Pc6, Znpl	2
28	14107	Line, Fuel, L=180	1
29	CSSSM6X25	Screw, Csk, Hex Soc, M 6x 25, Pc10.9	4
30		Nut, Hex, Nyloc, M 6, Pc8	4
31	W06MN	Washer, Flat, Bright, M 6x 12.5x1.2, Zn Pl	4
32		Engine, 20.0hp, V2cyl, Elec, B&S, 40N877	1
33	A172131	Muffler, Exhaust, B&S	1
34		Gasket, Exhaust, B&S, 690970	2
35		Screw, Exhaust, B&S, 690341	4
36	80025	Deflector, Exhaust Gas	1
37		Deflector, Muffler, B&S 222573	1

WIRING DIAGRAM - A16814K/A16815G A16811315L Main Harness B&S 20.0 HP

**GLOSSARY**

CODE	COLOUR	CODE	COLOUR
BK	BLACK	GN-WT	GREEN-WHITE
BU	BLUE	GY	GREY
BU-RD	BLUE-RED	OG	ORANGE
BN	BROWN	RD	RED
BN-WT	BROWN-WHITE	RD-WT	RED-WHITE



FOOT SWITCH ITEM 11

POSITION			
NORMAL			
DEPRESSED	○	○	○

SEAT SWITCH ITEM 14

POSITION	NC	NC
NORMAL	○	○
DEPRESSED		

KEY SWITCH ITEM 9

POSITION	S	L	M	B	G
OFF			○	○	○
ON			○	○	○
START	○	○	○	○	○

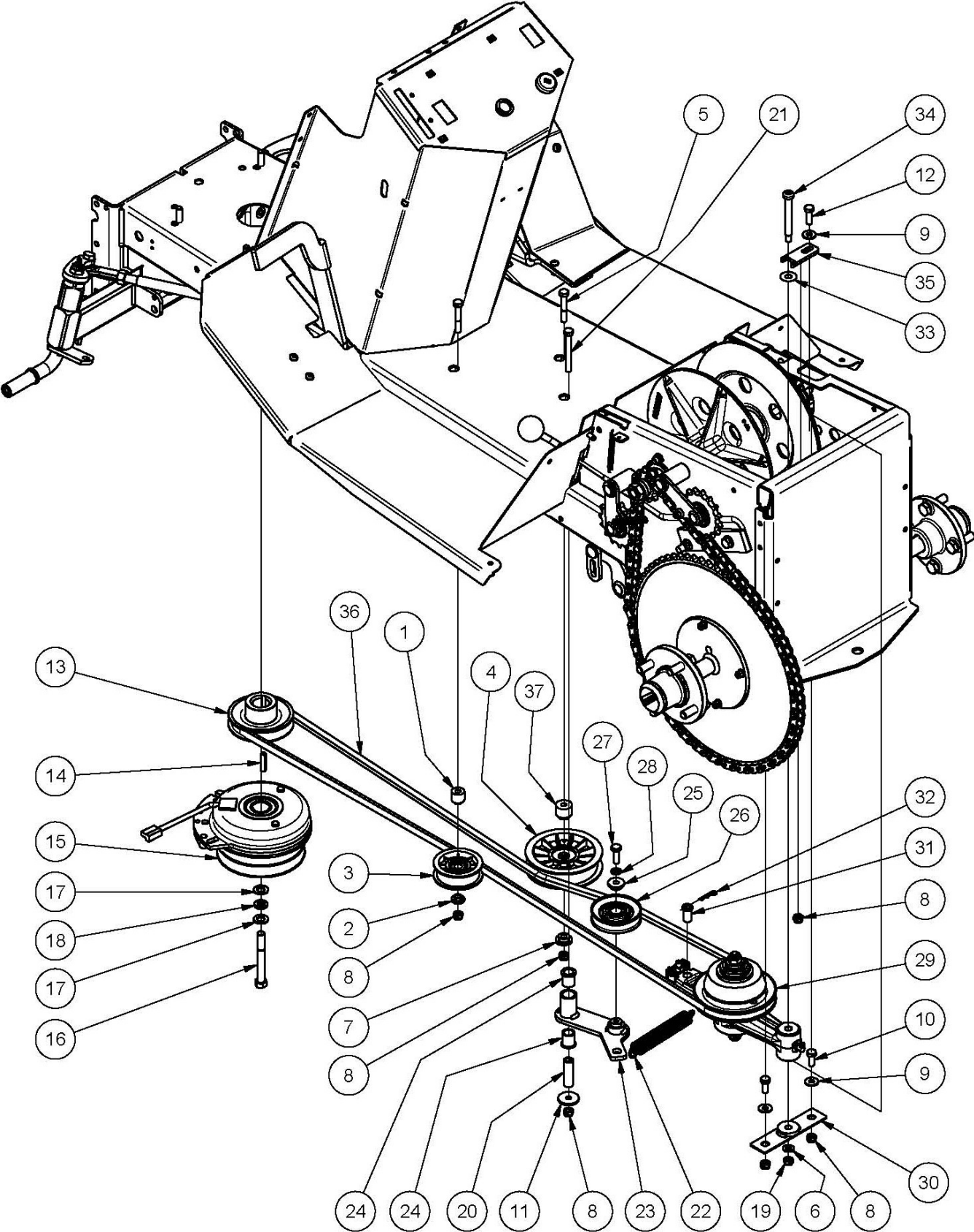
PTO SWITCH ITEM 12

POSITION	COM A	NC	COM B	NC	COM C	NC
DEPRESSED			○	○	○	○
RAISED	○	○	○	○	○	○

## PARTS LIST: WIRING

ITEM	PART NUMBER	DESCRIPTION	QTY
1		Engine, 20.0 Hp, 2 Cyl, Elec, B&S, Blk, 40N877	1
2		Battery, Automotive, 12v, Mfu1, 9pl, 240cca	1
3	15235	Lead, Battery, Black, 3term	1
4	13115	Lead, Battery, Red, L=400	1
5	AM159	Soleniod	1
6	AM265	Lead, Battery, Red, L=490	1
7	A168113	Harness, Wiring, Main, Sman 4500	1
8		Fuse, Blade, 15 Amp, Blue	1
9	13125	Switch, Key, 3 Posn, Magneto, 6 Term	1
10	A168114	Lead, Wiring, Switch, Foot	1
11	KIT132	Kit, Switch, Inc Cover, 1 Pole	1
12	A168117	Switch, Pto	1
13	A120516	Clutch/Brake, Elecmagnet	1
14	SP1PNCMSM	Switch, Plunger	1
15	A163081	Meter, Hour, Magneto-Sensing, 12v, Snap In	1

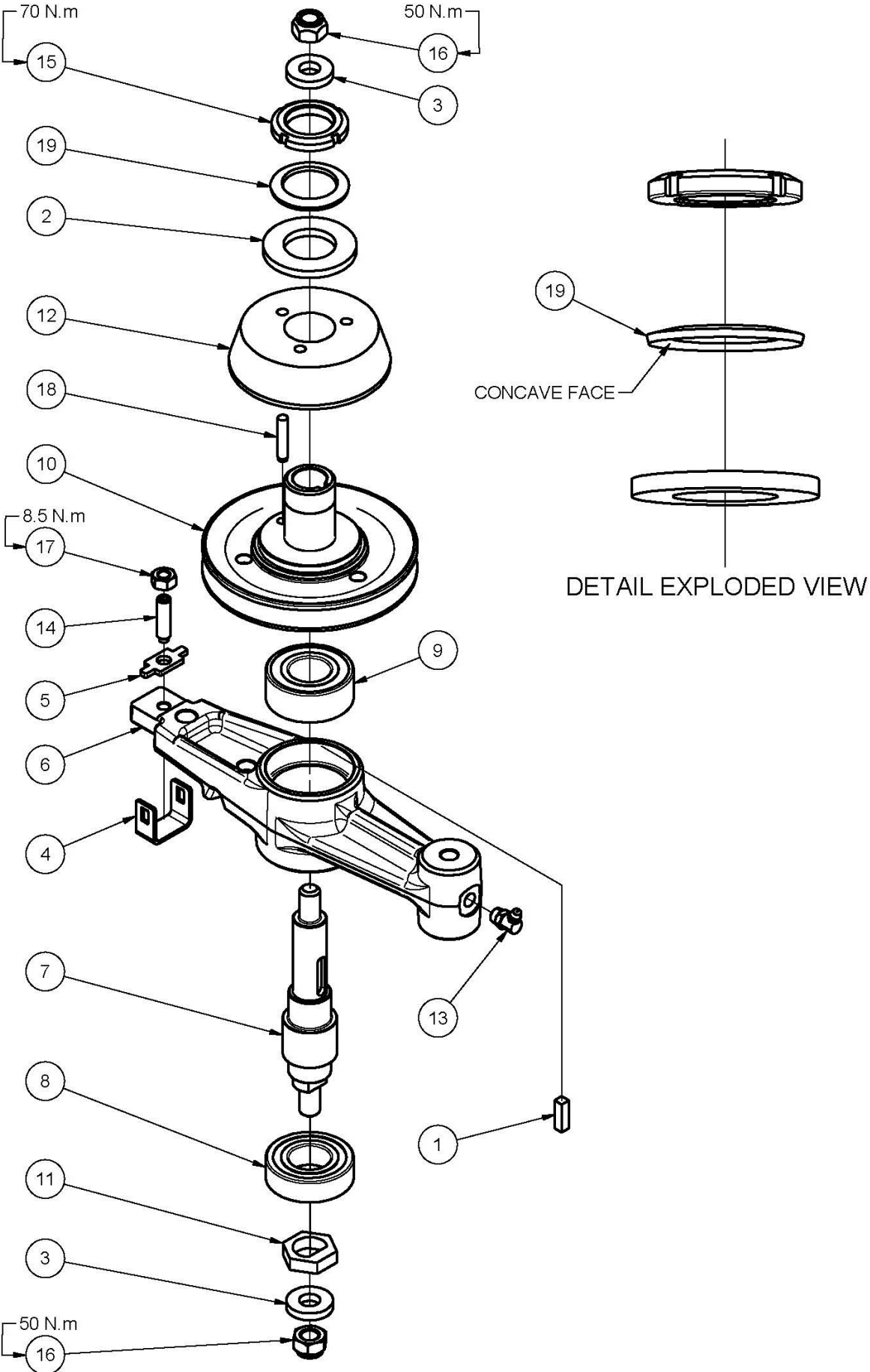
# PARTS LIST: DRIVE



## PARTS LIST: DRIVE

ITEM	PART NUMBER	DESCRIPTION	QTY
1	90293	Boss, Idler, 12dia, 16high	1
2	90294	Boss, Idler, 12dia, 3high	1
3	PIFBB126598A	Idler, Flat, Flg, Brg, Sealed, 12idx 65od	1
4	PIFBB02	Idler, Flat, Flg, Brg, Sealed, 17x4.00"Od	1
5	B0850M	Bolt, Hex, M 8x 50, Pc8.8	2
6	W08MN	Washer, Flat, Bright, M 8x 17x1, 2	1
7	14025	Boss, Idler	1
8	NM8NT	Nut, Hex, Nyloc, Thin, M 8, Pc6	5
9	W05M202	Washer, Flat, Bright, 5/16"X3/4"X14g	3
10	SH0820M	Screw, Hex, M 8x 20, Pc8.8	2
11	W052003	Washer, Flat, Black, 5/16"X1-1/4"X3	1
12	SH0825M	Screw, Hex, M 8x 25, Pc8.8	1
13	A168040	Pulley, Engine	1
14	AM175	Key	1
15	A120516	Clutch/Brake, Elecmagnet	1
16	B0756F	Bolt, Hex, Unf, 7/16x3-1/2", Gr5	1
17	W071416	Washer, Flat, Bright, 7/16"X7/8"X16g	2
18	WS071008	Washer, Lock, Spring, 7/16"X5/32"X1/8"	1
19	NHCM8	Nut, Hex, Conelok, M 8, Pc8	1
20	14070	Sleeve, Pivot, Drive Belt Tensioning Arm	1
21	B0870M	Bolt, Hex, M 8 X 70, PC8.8	1
22	AM264	Spring, Extension Cutter Belt, Short	1
23	A168151Z	Arm, Tensioner, Belt, Drive	1
24	A120685	Bush, Pivot, Tensioner	2
25	14025	Boss, Idler, 17dia, 3high	1
26	PIVBB02	Idler, V Belt	1
27	SH0825M	Screw, Hex, M 8x 25, Pc8.8	1
28	WS050216	Washer, Lock, Spring, 5/16"X1/8"X1/16"	1
29	A168042	Sub-Assy, Drive	1
30	90289	Mount, Pivot, Lower	1
31	A132027Z	Sleeve, Withdrawl, Link	1
32	RP01	Pin, 'R'	3
33	WW0616	Washer, Wave	1
34	90276	Bolt, Pivot, Arm, Clutch	1
35	90297	Keeper, Bolt, Pivot	1
36	V67	Belt, V	1
37	15176	Boss, Idler, 17dia, 16high	1

# PARTS LIST: DRIVE ARM

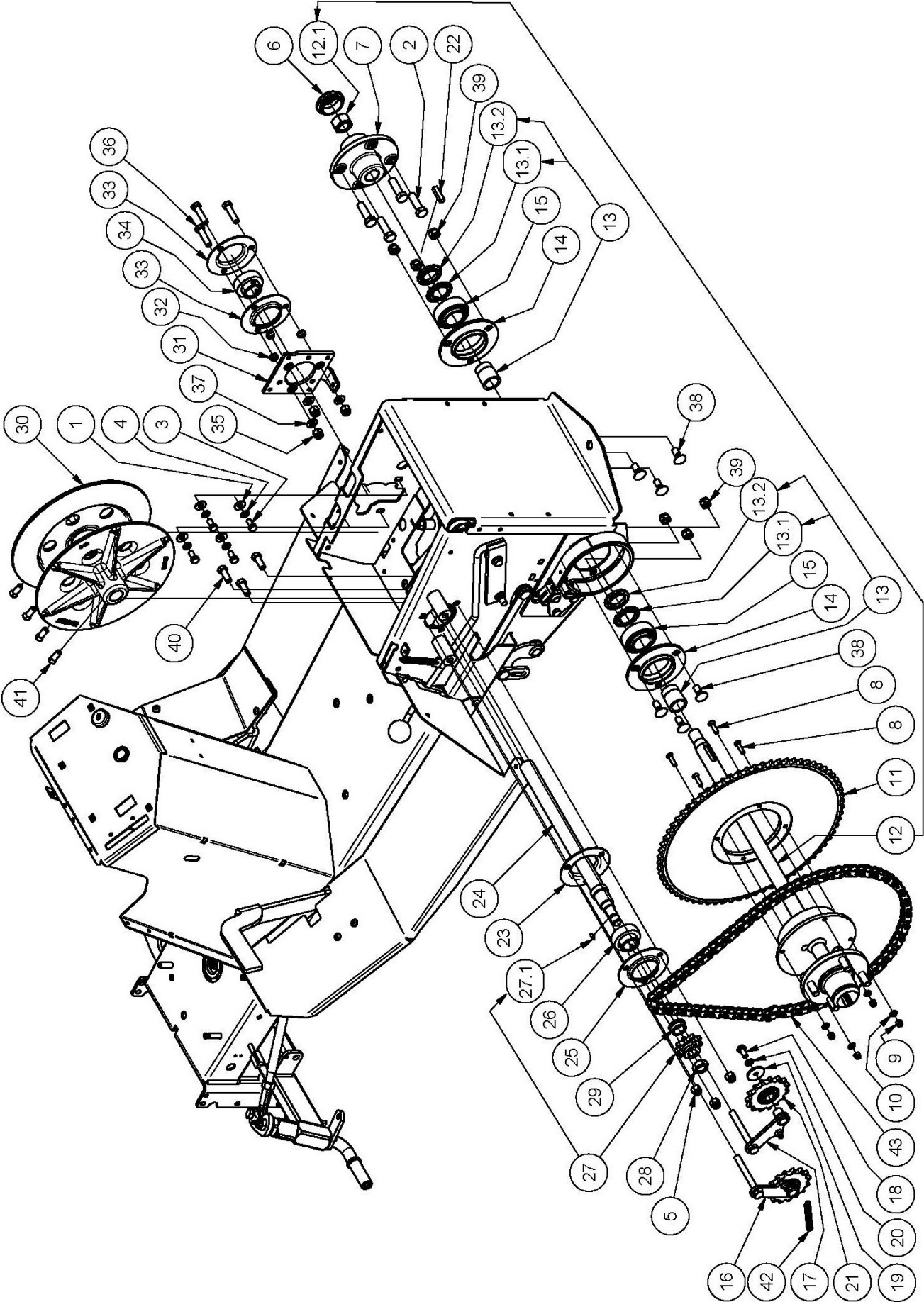




## PARTS LIST: DRIVE ARM

ITEM	PART NUMBER	DESCRIPTION	QTY
1	A100025	Key	1
2	A126518	Washer, Flat, Black, 30x55x5, Bare	1
3	A126519Z	Washer, Flat, Black, 12x27.5x5	2
4	A132019H	Shoe, Hardened	1
5	A132021Z	Retainer, Shoe	1
6	A132013B	Arm, Clutch, 10x50, Black	1
7	A168044	Shaft, Drive, Non-Self Locking	1
8	BB255215NN	Bearing, Ball	1
9	BB255220D	Bearing, Ball, Angle , Double	1
10	A168046	Pulley, Mount, Cone	1
11	A168048Z	Sleeve, Hex	1
12	CC3095L	Cone, Drive	1
13	GNTF7	Nipple, Grease	1
14	GS0830M	Screw, Set, Hex Soc, M 8x 30, Dog	1
15	NB06	Nut, Lock, Bearing, M30x1.5, 4 Slot	1
16	NHCM12	Nut, Hex, Conelok, M12, Pc8	2
17	NHM8	Nut, Hex, M8	1
18	PDM0630	Pin, Dowel, M 6x 30	1
19	WLC304525	Washer, Lock, Conical, M30x45x2.5	1

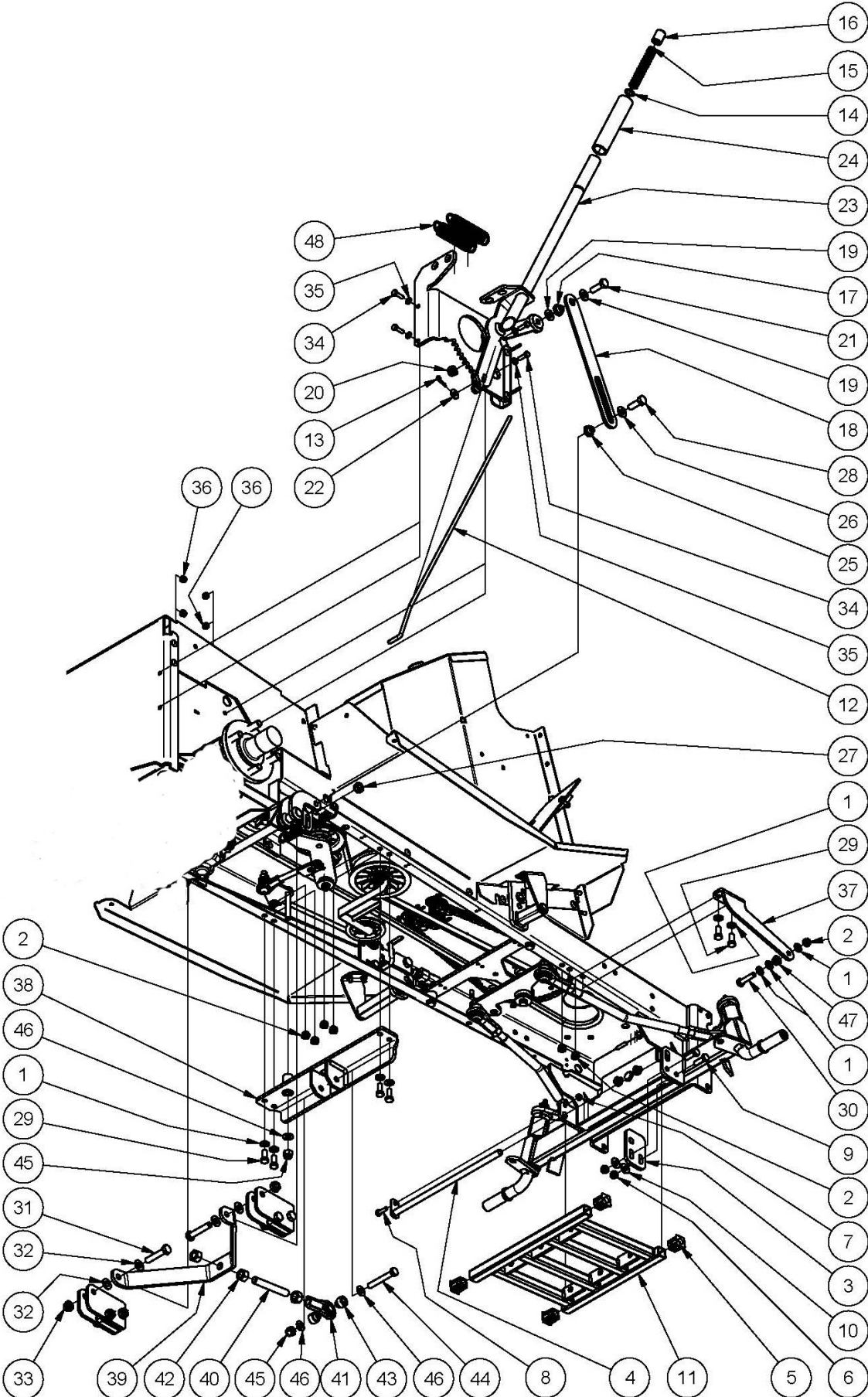
# PARTS LIST: TRANSMISSION + AXLE



## PARTS LIST: TRANSMISSION + AXLE

ITEM	PART NUMBER	DESCRIPTION	QTY
1	W05M202	Washer, Flat, Bright, 5/16"X3/4"X14g	4
2	SH1240M1.5	Screw, Hex, M12x1.5x 40, Pc8.8	8
3	SH0816M	Screw, Hex, M 8x 16, Pc8.8	4
4	WS050216	Washer, Lock, Spring, 5/16"X1/8"X1/16"	4
5	NF06CN	Nut, Hex, Nyloc, Thick, Unc, 3/8, Gr5	3
6	AM07099C	Cap, Hub	2
7	A168205	Adaptor, Wheel	2
8	CSSSM6X25	Screw, Csk, Hex Soc, M 6x 25, Pc10.9	4
9	NM6N	Nut, Hex, Nyloc, M 6, Pc8	4
10	W06MN	Washer, Flat, Bright, M 6x 12.5x1.2	4
11	A168064Z	Sprocket, Chain	1
12	A168062Z	Axle, Rear, 25, Taper, K8x7x32	1
12.1	NHM20X1.5	Nut, Hex, M20x1.5, Pc8	2
13	AB2530	Adaptor, Bearing	2
13.1	WLB06	Washer, Locking, Nut, Lock, Bearing, 30	1
13.2	NB06	Nut, Lock, Bearing, M30x1.5, 4 Slot	1
14	HBURFP206	Housing, Bearing	2
15	BB30SATBN	Bearing, Ball	2
16	A168214Z	Arm, Tensioner, Front	1
17	A168217Z	Arm, Tensioner, Rear	1
18	SH0816M	Screw, Hex, M 8x 16, Pc8.8	1
19	W052003	Washer, Flat, Black, 5/16"X1-1/4"X3	1
20	WS050216	Washer, Lock, Spring, 5/16"X1/8"X1/16"	1
21	SIBB01	Idler, Sprocket, Brg, Seal, 10b-1x15	1
22	A168058	Key	2
23	AM024	Flangette 25mm	1
24	AM363	Shaft, Mounting, Clutch Plate, Hardened	1
25	AM024	Flangette 25mm	1
26	BB25SAN	Bearing, Ball	1
27	KIT308	Kit, Sprocket, Chain, 10b-1x19+Key, NO 3	1
27.1	SK03	Pair, Key, Woodruff, Steel, Sae J502, 1/8"X 1/2"	1
28	N10FT	Nut, Hex, Thin, Unf, 5/8", Gr5	1
29	A168054Z	Sleeve, Spacer, Sprocket	1
30	AM197	Clutch Plate	2
31	9029808H	Mount, Adjust, Alignment	1
32	WG06x08	Grommet	3
33	AM024	Flangette 25mm	2
34	BB25SAN	Bearing, Ball	1
35	NF06CN	Nut, Hex, Nyloc, Thick, Unc, 3/8, Gr5	3
36	B0624C	Bolt, 3/8" X 1 1/2" UNC	3
37	W061216	Washer, Flat, Bright, 3/8"X3/4"X16g	3
38	BCHSNM10X25	Bolt, Cup, Sq Neck, M10x 25, Pc4.6	6
39	NM10N	Nut, Hex, Nyloc, M10, Pc8	6
40	SH0616C	Screw, Hex, Unc, 3/8"X1", Gr5	3
41	SS0612C	Screw, Set, Sq, Unc, 3/8"X 3/4", Cup, Ch	4
42	AM288	Spring, Extension, Park Brake/Chain Adjust	1
43	A168056	Chain, Roller, 10b-1x82, Spring Clip Link	1

# PARTS LIST: MOWER SUSPENSION

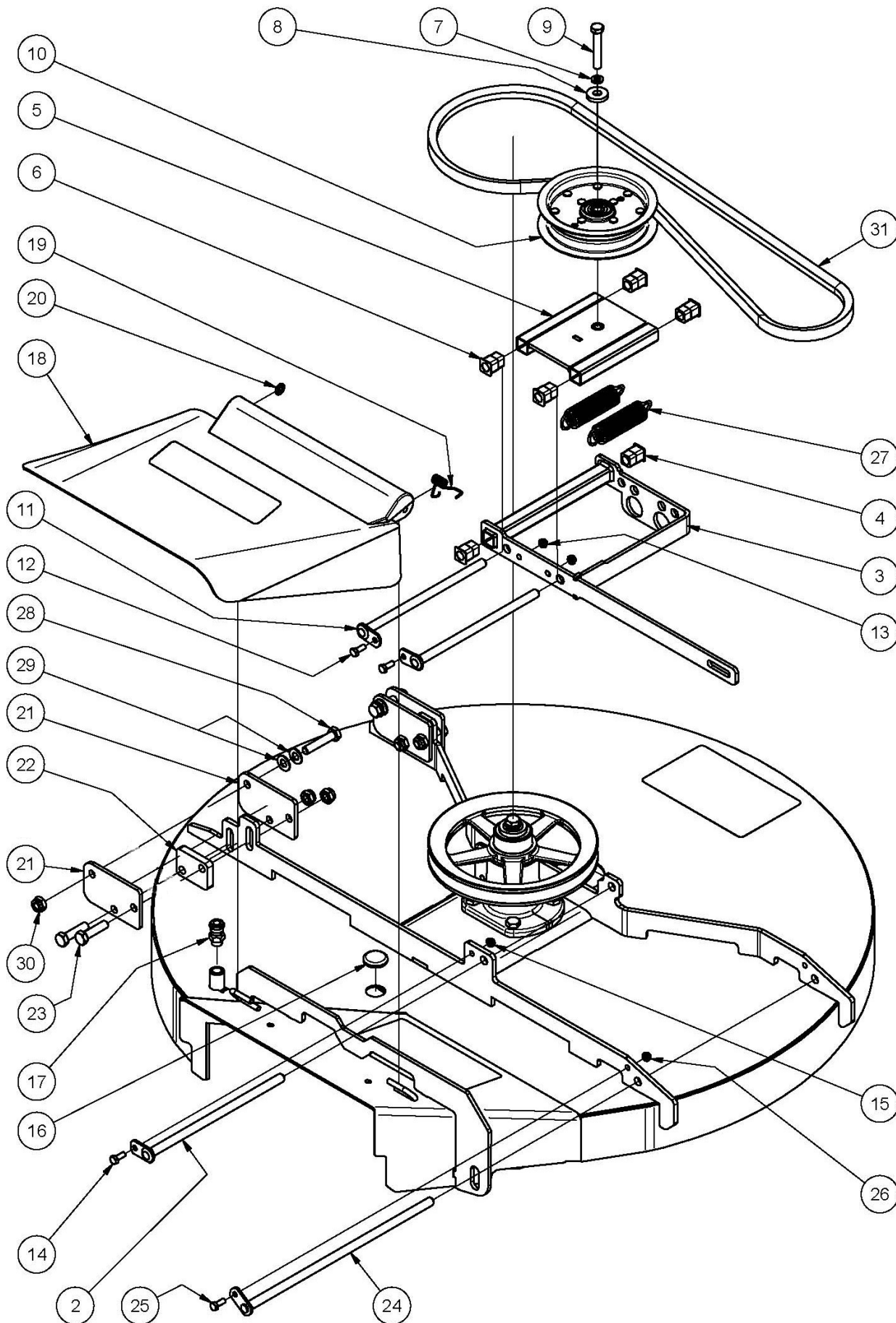


## PARTS LIST: MOWER SUSPENSION

ITEM	PART NUMBER	DESCRIPTION	QTY
1	W08MN	Washer, Flat, Bright, M 8x 17x1, 2	9
2	NM8NT	Nut, Hex, Nyloc, Thin, M 8, Pc6	7
3	A168103Z	Adjuster, Cut, Transverse	1
4	A168118Z	Pin	1
5	AM369	Bush	4
6	NM8NT	Nut, Hex, Nyloc, Thin, M 8, Pc6	2
7	NM6NT	Nut, Hex, Nyloc, Thin, M 6, Pc6	1
8	SH0620M	Screw, Hex, M 6x20, Pc4.6	1
9	SH0825M	Screw, Hex, M 8x 25, Pc8.8	2
10	W05M202	Washer, Flat, Bright, 5/16"X3/4"X14g	2
11	A168105R	Link, Drag, Attachment, Mowing	1
12	A168197Z	Rod, Adjust, Height, Cut	1
13	RP04	Pin, 'R'	1
14	A120659	Washer	1
15	AM012	Height Adjustment Pawl Push Rod Spring	1
16	AM013Q2	Height Adjustment Pawl Push Rod Button	1
17	A168219Z	Bush	1
18	A168227Z	Link, Height, Cut	1
19	W10MN	Washer, Flat, Bright, M10x 21x1.6	2
20	NM10NT	Nut, Hex, Nyloc, Thin, M10, Pc6	1
21	SH1030M10.9	Screw, Hex, M10x 30, Pc10.9	1
22	W041216	Washer, Flat, Bright, 1/4"X3/4"X16g	1
23	A168233	Sub-Assy, Aduster, Height, Cut	1
24	A168211	Grip, Hand	1
25	A168219Z	Bush	1
26	W10MN	Washer, Flat, Bright, M10x 21x1.6	1
27	NM10NT	Nut, Hex, Nyloc, Thin, M10, Pc6	1
28	SH1030M10.9	Screw, Hex, M10x 30, Pc10.9	1
29	SH0820M	Screw, Hex, M 8x 20, Pc8.8	6
30	B0835M	Bolt, Hex, M8 X 35, Pc8.8	1
31	B1050M	Bolt, Hex, M10 X 50	2
32	W10MN	Washer, Flat, Bright, M10x 21x1.6	4
33	NM10NT	Nut, Hex, Nyloc, Thin, M10, Pc6	2
34	SH0620MPC8	Screw, Hex, M 6x20, Pc8.8	4
35	W06MN	Washer, Flat, Bright, M 6x 12.5x1.2	4
36	NM6N	Nut, Hex, Nyloc, M 6, Pc8	4
37	A168199R	Bracket, Attach, Frame, Cradle	1
38	A169189R15G	Bridge, Suspension, Mower, Hydro	1
39	A168195R	Link, Suspension, Mower	1
40	A168193Z	Rod, Threaded	1
41	RE12INT	End, Rod, Stamp, Unf, 1/2" Int	1
42	N08F	Nut, Hex, Unf, 1/2", Gr5	3
43	A168191Z	Bush, Half, Mount, End, Rod	2
44	B0640C	Bolt, Hex, Unc, 3/8"X2-1/2", Gr5	1
45	NF06CN	Nut, Hex, Nyloc, Thick, Unc, 3/8, Gr5	2
46	W061216	Washer, Flat, Bright, 3/8"X3/4"X16g	3
47	NFM8	Nut, Hex, Flange, Serated, M 8, Pc8	1
48	AM040	Spring, Extension	2

# MODEL A16816E ONLY

## PARTS LIST: CA170 35" MOWING ATTACHMENT ANCILLARY COMPONENTS



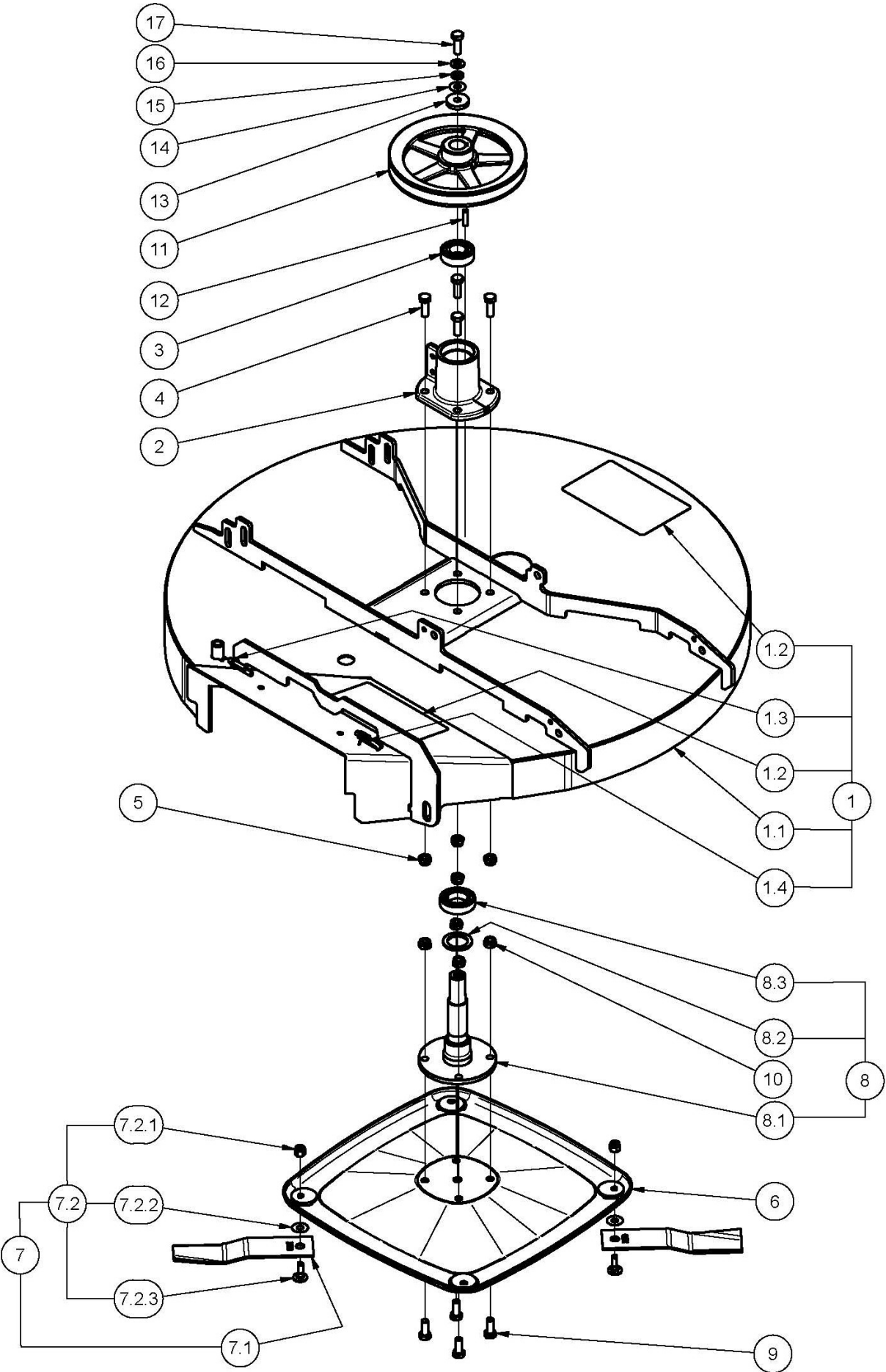
## MODEL A16816E ONLY

### PARTS LIST: CA170 35" MOW/ATTACHMENT ANCILLARY COMPONENTS

ITEM	PART NUMBER	DESCRIPTION	QTY
2	A170013Z	Pin	1
3	A170009Z	Frame, Cradle, Idler	1
4	AM230	Bush - Plastic	2
5	A170011Z	Frame, Slide, Idler	1
6	AM230	Bush - Plastic	4
7	WS06081.5	Washer, Lock, Spring, 3/8"X1/8"X3/32"	1
8	W102705	Washer, Flat, Black, 10.5x27x5	1
9	B0636C	Bolt, Hex, Unc, 3/8"X2-1/4", Gr5	1
10	PIFBB06	Idler, Flat, Flg, Brg, Seal, 3/8"X16x5"	1
11	A170015Z	Pin	2
12	SH0616M	Screw, Hex, M 6x 16, Pc4.6	2
13	NM6NT	Nut, Hex, Nyloc, Thin, M 6, Pc6	2
14	SH0616M	Screw, Hex, M 6x 16, Pc4.6	1
15	NM6NT	Nut, Hex, Nyloc, Thin, M 6, Pc6	1
16	A121512	Grommet, Blanking	1
17	A121513	Adaptor, Spray, Water	1
18	AM259	Deflector	1
19	A100003	Spring, Torsion, Deflector	1
20	AM274	Fastener, Pushon, Round, 1/4"	1
21	A170017Z	Mount, Suspension, Rear	4
22	A170019Z	Spacer, Mount, Suspension, Rear	2
23	B1040M	Bolt, Hex, M10x40, Pc8	4
24	13016	Pin, 11.1 Diax327l(Plated)	1
25	SH0616M	Screw, Hex, M 6x 16, Pc4.6	1
26	NM6NT	Nut, Hex, Nyloc, Thin, M 6, Pc6	1
27	AM145	Spring, Extension, Weight Compensating	2
28	B1050M	Bolt, Hex, M10 X 50	2
29	W10MN	Washer, Flat, Bright, M10x 21x1.6	4
30	NM10NT	Nut, Hex, Nyloc, Thin, M10, Pc6	2
31	V66	Belt, V	1

**MODEL A16816E ONLY**

**PARTS LIST: CA170 35" MOWING ATTACHMENT CUTTER COMPONENTS**





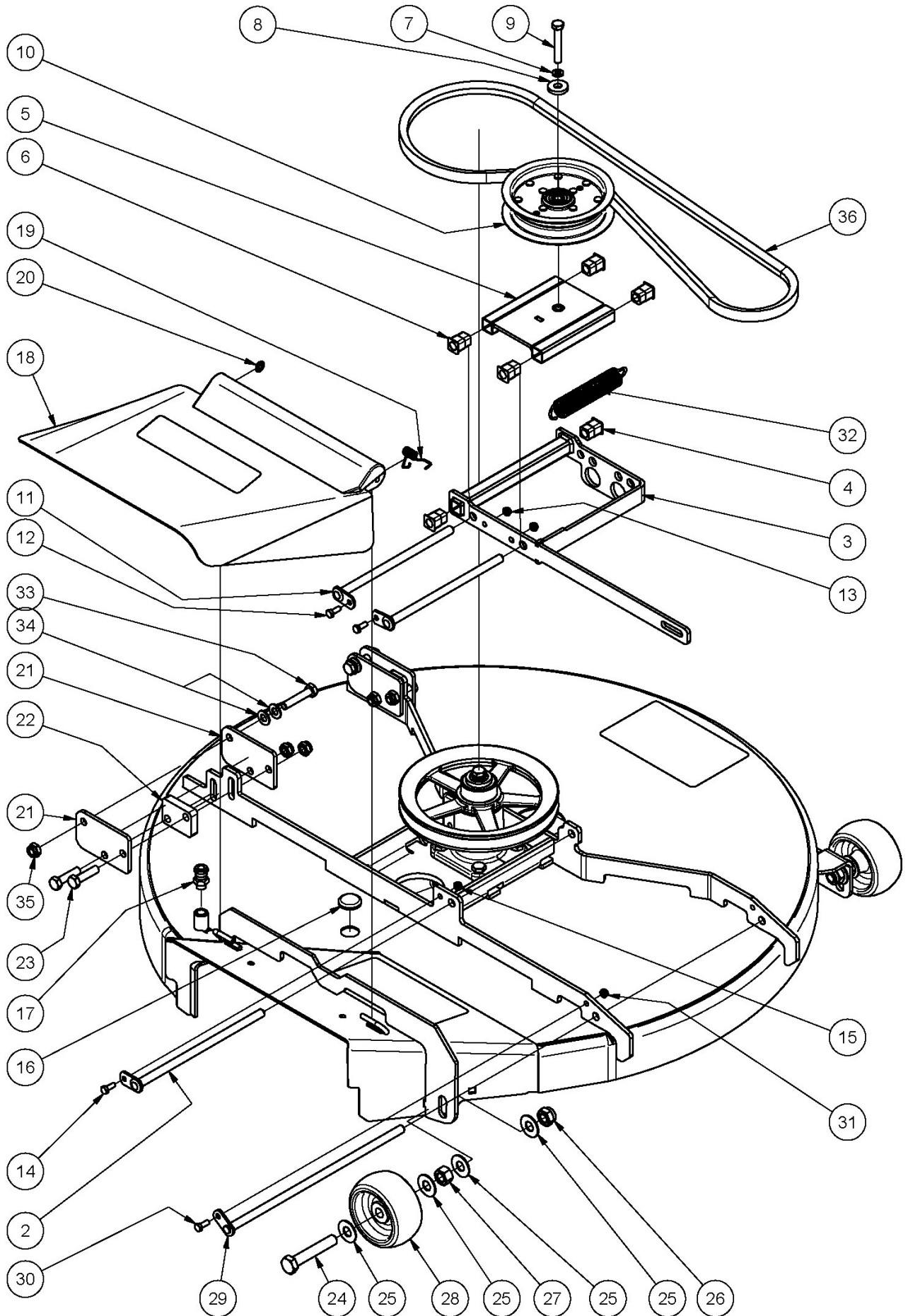
## MODEL A16816E ONLY

### PARTS LIST: CA170 35" MOWING ATTACHMENT CUTTER COMPONENTS

ITEM	PART NUMBER	DESCRIPTION	QTY
1	KIT261	Kit, Housing, Cutter, 890(35")	1
1.1		Deck, Mower, Side, 890(35")	1
1.2	DEC116	Decal, Danger, Mowing Attachment	2
1.3	AM274	Fastener, Pushon, Round, 1/4"	1
1.4	A100003	Spring, Torsion, Deflector	1
2	A100054B	Housing, Bearing, Flange, Guide Mount	1
3	BB255215NN	Bearing, Ball	1
4	SH1030M	Screw, Hex, M10x 30, Pc8.8	4
5	NM10NT	Nut, Hex, Nyloc, Thin, M10, Pc6	4
6	A170003B	Disc, Cutter	1
7	SKIT54N	Pair, Blade+Bolt+Washer+Nut, Standard, 198	1
7.1		Blade, Mower, Swingback, Standard, 198	2
7.2	SKIT01D1	Blade Bolt & Nut Set	1
7.2.1		Nut, Hex, Nyloc, Thick, Unc, 3/8, Gr5	2
7.2.2		Washer, Wave, 3/8"X1"	2
7.2.3		Blade Bolt Grade 8	2
8	A170021	Sub-Assy, Spindle, Flanged, Cutter	1
8.1		Spindle, Flanged, Cutter	1
8.2	A100060Z	Washer, Flat	1
8.3	BB305513NS	Bearing, Ball	1
9	SH1025M	Screw, Hex, M10 X 25, Pc 8.8	4
10	NM10NT	Nut, Hex, Nyloc, Thin, M10, Pc6	4
11	A170007	Pulley, Cutter, Ci	1
12	A156017	Key	1
13	W103506	Washer, Flat, Black, 10x35x6	1
14	WW0616	Washer, Wave, 3/8"X1"	1
15	WSM10X3.66X2.69	Washer, Lock, Spring, M10x3.66x2.69, Gal	1
16	W10MN	Washer, Flat, Bright, M10x 21x1.6	5
17	SH1030M10.9	Screw, Hex, M10x 30, Pc10.9	1

# MODEL A16816F ONLY

## PARTS LIST: CA17016D 35" MOWING ATTACH ANCILLARY COMPONENTS



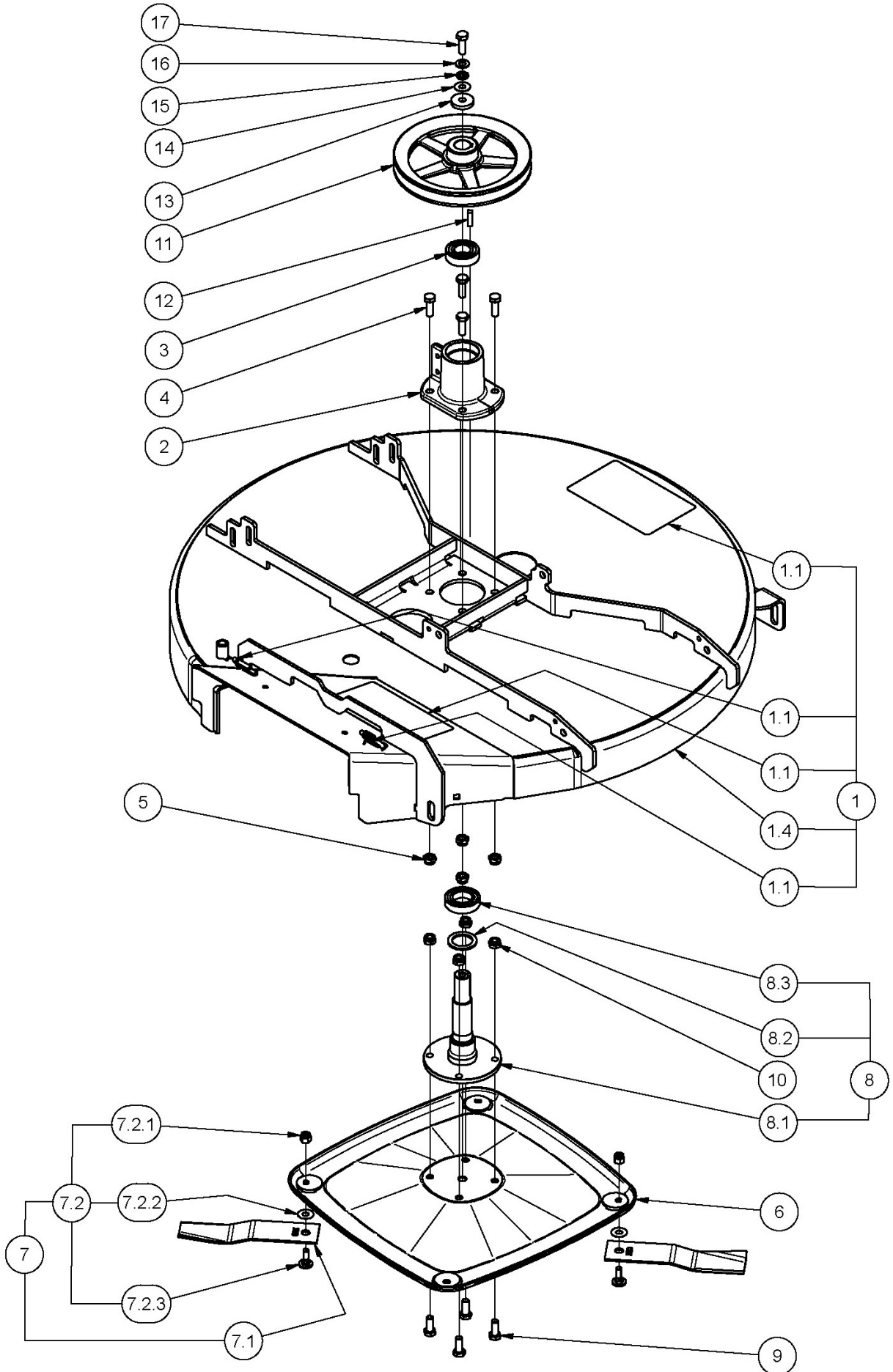
## MODEL A16816F ONLY

### PARTS LIST: CA17016D 35" MOW/ATTACHMENT ANCILLARY COMPONENTS

ITEM	PART NUMBER	DESCRIPTION	QTY
1	W10MN	Washer, Flat, Bright, M10x 21x1.6	1
2	A170013Z	Pin, 11.1dia, L=240	1
3	A170009Z	Frame, Cradle, Idler	1
4	AM230	Bush - Plastic	2
5	A170011Z	Frame, Slide, Idler	1
6	AM230	Bush - Plastic	4
7	WS06081.5	Washer, Lock, Spring, 3/8"X1/8"X3/32"	1
8	W102705	Washer, Flat, Black, 10.5x27x5	1
9	B0636C	Bolt, Hex, Unc, 3/8"X2-1/4", Gr5	1
10	PIFBB06	Idler, Flat, Flg, Brg, Seal, 3/8"X16x5"	1
11	A170015Z	Pin, 11.1dia, L=215	2
12	SH0616M	Screw, Hex, M 6x 16, Pc4.6	2
13	NM6NT	Nut, Hex, Nyloc, Thin, M 6, Pc6	2
14	SH0616M	Screw, Hex, M 6x 16, Pc4.6	1
15	NM6NT	Nut, Hex, Nyloc, Thin, M 6, Pc6	1
16	A121512	Grommet	1
17	A121513	Adaptor, Spray, Water	1
18	AM259	Deflector	1
19	A100003	Spring, Torsion, Deflector	1
20	AM274	Fastener, Pushon, Round, 1/4"	1
21	A170017Z	Mount, Suspension, Rear	4
22	A170019Z	Spacer, Mount, Suspension, Rear	2
23	B1040M	Bolt, Hex, M10x40, Pc8	4
24	B1480M	Bolt, Hex, M14x 80, Pc8.8	2
25	W092016	Washer, Flat, Bright, 9/16" X 1+1/4" X 16G	8
26	N14MN	Nut, Hex, Nyloc, M14, Pc6, Thin	2
27	NHM14	Nut, Hex, M14, Pc5	2
28	A152062	Wheel, 4"X2"	2
29	13016	Pin, 11.1 Diax327l	1
30	SH0616M	Screw, Hex, M 6x 16, Pc4.6	1
31	NM6NT	Nut, Hex, Nyloc, Thin, M 6, Pc6	1
32	A170028	Spring, Extension	2
33	B1050M	Bolt, Hex, M10 X 50	2
34	W10MN	Washer, Flat, Bright, M10x 21x1.6	4
35	NM10NT	Nut, Hex, Nyloc, Thin, M10, Pc6	2
36	V66	Belt, V, Wrapped, Kevlar	1

# MODEL A16816F ONLY

## PARTS LIST: CA17016D 35" MOWING ATTACH CUTTER COMPONENTS

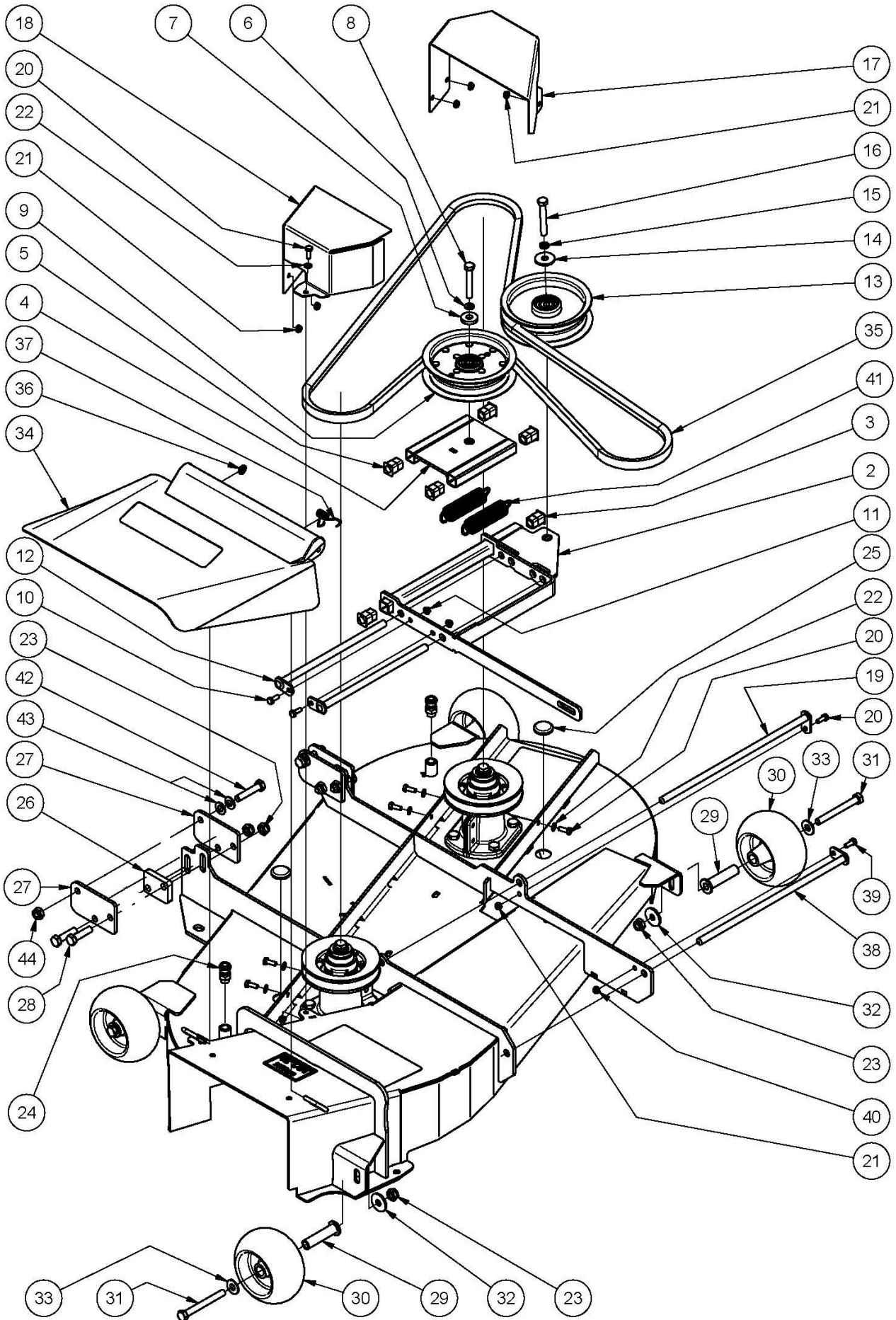


## MODEL A16816F ONLY

### PARTS LIST: CA17016D 35" MOWING ATTACH CUTTER COMPONENTS

ITEM	PART NUMBER	DESCRIPTION	QTY
1	KIT26116D	Kit, Housing, Cutter, 890(35")	1
1.1	DEC116	Decal, Danger, Mowing Attachment	2
1.1	AM274	Fastener, Pushon, Round, 1/4"	1
1.1	A100003	Spring, Torsion, Deflector	1
1.4		Deck, Mower, Side	1
2	A100054B	Housing, Bearing, Flange, Guide Mount	1
3	BB255215NN	Bearing, Ball	1
4	SH1030M	Screw, Hex, M10x 30, Pc8.8	4
5	NM10NT	Nut, Hex, Nyloc, Thin, M10, Pc6	4
6	A170003B	Disc, Cutter, 492 Pcd	1
7	SKIT54N	Pair, Blade+Bolt+Washer+Nut, Standard, 198	1
7.1		Blade, Mower, Swingback, Standard, 198	2
7.2	SKIT01D1	Blade Bolt & Nut Set	1
7.2.1		Nut, Hex, Nyloc, Thick, Unc, 3/8, Gr5	2
7.2.2		Washer, Wave, 3/8"X1"	2
7.2.3		Blade Bolt Grade 8	2
8	A170021	Sub-Assy, Spindle, Flanged, Cutter	1
8.1		Spindle, Flanged, Cutter	1
8.2	A100060Z	Washer, Flat, 32x45x3	1
8.3	BB305513NS	Bearing, Ball	1
9	SH1025M	Screw, Hex, M10 X 25, Pc 8.8	4
10	NM10NT	Nut, Hex, Nyloc, Thin, M10, Pc6	4
11	A170007	Pulley, Cutter	1
12	A156017	Key	1
13	W103506	Washer, Flat, Black, 10x35x6	1
14	WW0616	Washer, Wave, 3/8"X1"	1
15	WSM10X3.66X2.69	Washer, Lock, Spring, M10x3.66x2.69	1
16	W10MN	Washer, Flat, Bright, M10x 21x1.6	1
17	SH1030M10.9	Screw, Hex, M10x 30, Pc10.9	1

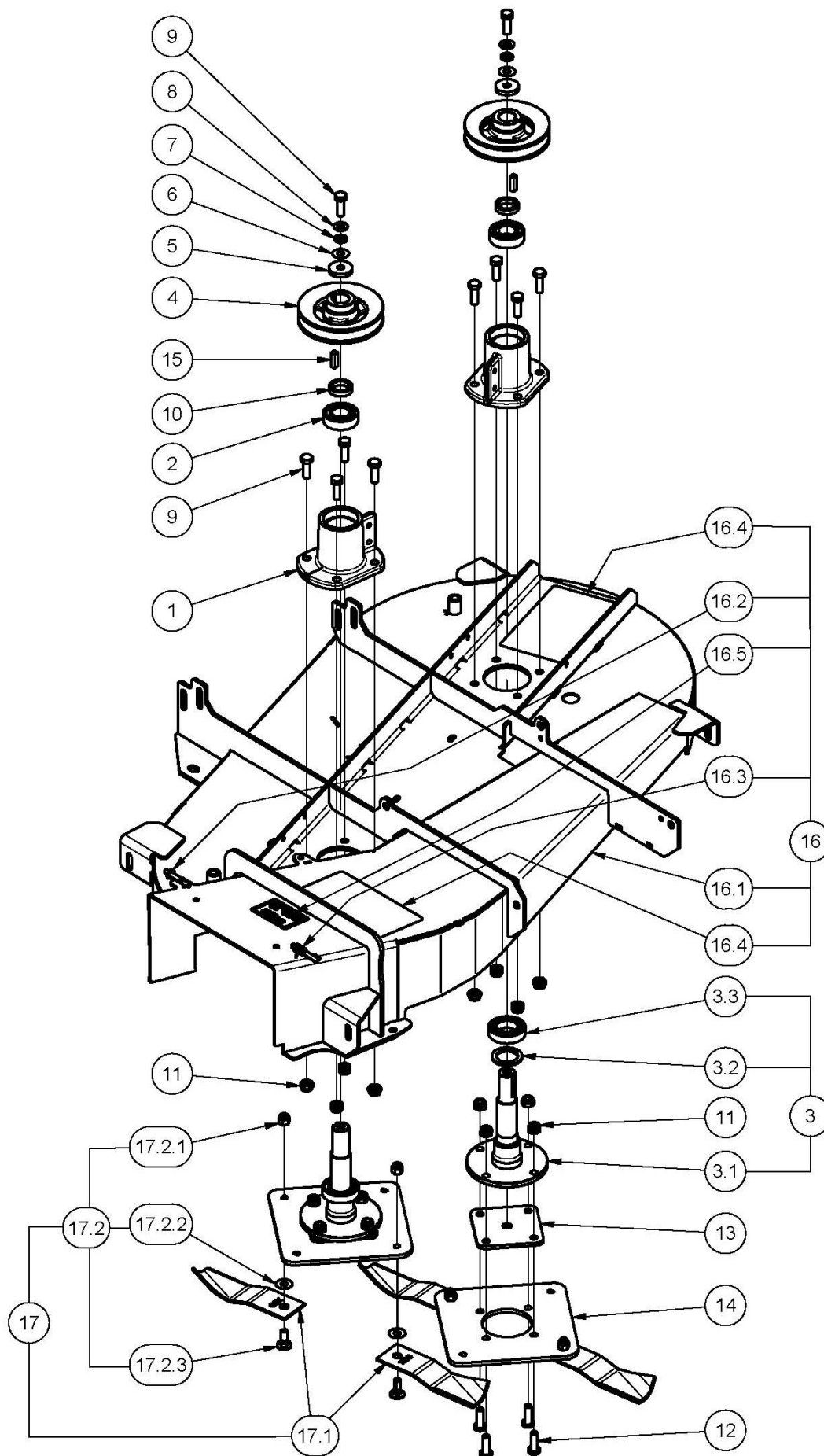
# PARTS LIST: CA171 42" MOWING ATTACHMENT ANCILLARY COMPONENTS



## PARTS LIST: CA171 42" MOWING ATTACHMENT ANCILLARY COMPONENTS

ITEM	PART NUMBER	DESCRIPTION	QTY
2	A171019Z	Frame, Cradle, Idler	1
3	AM230	Bush - Plastic	2
4	A170011Z	Frame, Slide, Idler	1
5	AM230	Bush - Plastic	4
6	WS06081.5	Washer, Lock, Spring, 3/8"X1/8"X3/32"	1
7	W102705	Washer, Flat, Black, 10.5x27x5	1
8	B0636C	Bolt, Hex, Unc, 3/8"X2-1/4", Gr5	1
9	PIFBB06	Idler, Flat, Flg, Brg, Seal, 3/8"X16x5"	1
10	SH0616M	Screw, Hex, M 6x 16, Pc4.6	2
11	NM6NT	Nut, Hex, Nyloc, Thin, M 6, Pc6	2
12	A170113Z	Pin	2
13	PIFBB05	Idler, Flat, Flg, Brg, Seal, 3/8"X24x5"	1
14	W0620HD	Washer, Flat, Black, 3/8"X1-1/4"X3	1
15	WS06081.5	Washer, Lock, Spring, 3/8"X1/8"X3/32"	1
16	B0640C	Bolt, Hex, Unc, 3/8"X2-1/2", Gr5	1
17	A171007R	Guard, Pulley, Left	1
18	A171010R	Guard, Pulley, Right	1
19	13016	Pin	1
20	SH0616M	Screw, Hex, M 6x 16, Pc4.6	7
21	NM6NT	Nut, Hex, Nyloc, Thin, M 6, Pc6	7
22	W06MN	Washer, Flat, Bright, M 6x 12.5x1.2	6
23	NM10NT	Nut, Hex, Nyloc, Thin, M10, Pc6	10
24	A121513	Adaptor, Spray, Water	2
25	A121512	Grommet, Blanking, 1"	2
26	A170019Z	Spacer, Mount, Suspension, Rear	2
27	A170017Z	Mount, Suspension, Rear	4
28	B1040M	Bolt, Hex, M10x40, Pc8	4
29	A121504Z	Sleeve, Roller, Deck, Cutter	4
30	A121503	Wheel, 5"X3", Hub 5/8"X2 1/2"	4
31	B1090M	Bolt, Hex, M10x 90, Pc8.8	4
32	W0620HD	Washer, Flat, Black, 3/8"X1-1/4"X3	4
33	W10M	Washer	4
34	AM259	Deflector	1
35	V69	Belt, V	1
36	AM274	Fastener, Pushon, Round, 1/4"	1
37	A100003	Spring, Torsion, Deflector	1
38	13016	Pin, 11.1 Diax327I(Plated)	1
39	SH0616M	Screw, Hex, M 6x 16, Pc4.6	1
40	NM6NT	Nut, Hex, Nyloc, Thin, M 6, Pc6	1
41	AM145	Spring, Extension	2
42	B1050M	Bolt, Hex, M10 X 50	2
43	W10MN	Washer, Flat, Bright, M10x 21x1.6	4
44	NM10NT	Nut, Hex, Nyloc, Thin, M10, Pc6	2

# PARTS LIST: CA171 42" MOWING ATTACHMENT CUTTER COMPONENTS





## PARTS LIST: CA171 42" MOWING ATTACHMENT CUTTER COMPONENTS

ITEM	PART NUMBER	DESCRIPTION	QTY
1	A100054B	Housing, Bearing, Flange, Guide Mount, Black	2
2	BB255215NN	Bearing, Ball	2
3	A170021	Sub-Assy, Spindle, Flanged, Cutter	2
3.1		Spindle, Flanged, Cutter	1
3.2	A100060Z	Washer, Flat, 32x45x3	1
3.3	BB305513NS	Bearing, Ball	1
4	A156010	Pulley, Cutter, Ci	2
5	W103506	Washer, Flat, Black, 10x35x6	2
6	WW0616	Washer, Wave	2
7	WSM10X3.66X2.69	Washer, Lock, Spring, M10x3.66x2.69, Gal	2
8	W10MN	Washer, Flat, Bright, M10x 21x1.6	6
9	SH1030M10.9	Screw, Hex, M10x 30, Pc10.9	10
10	A171050Z	Spacer, Sleeve, 25.2x35x 8	2
11	NM10NT	Nut, Hex, Nyloc, Thin, M10, Pc6	16
12	BHSSM10X30	Screw, Button, Hex Soc, M10x 30, Pc10.9	8
13	A152011R	Spacer, Disc, Cutter	2
14	A152013R	Disc, Cutter	2
15	A156017	Key	2
16	KIT262	Kit, Housing, Cutter, 1055(42")	1
16.1		Deck, Mower, Side, 1055(42")	1
16.2	AM274	Fastener, Pushon, Round, 1/4"	1
16.3	A100003	Spring, Torsion, Deflector	1
16.4	DEC116	Decal, Danger, Mowing Attachment	2
16.5	DEC334	Decal, 42" Cut	1
17	KIT259	Pair, Blade+Bolt+Washer+Nut, Airflow, 163	2
17.1		Blade, Mower, Swingback, Airflow, 163	2
17.2	SKIT01D1	Blade Bolt & Nut Set	1
17.2.1		Nut, Hex, Nyloc, Thick, Unc, 3/8, Gr5	2
17.2.2		Washer, Wave	2
17.2.3		Blade Bolt Grade 8	2

## PARTS LIST: DECALS



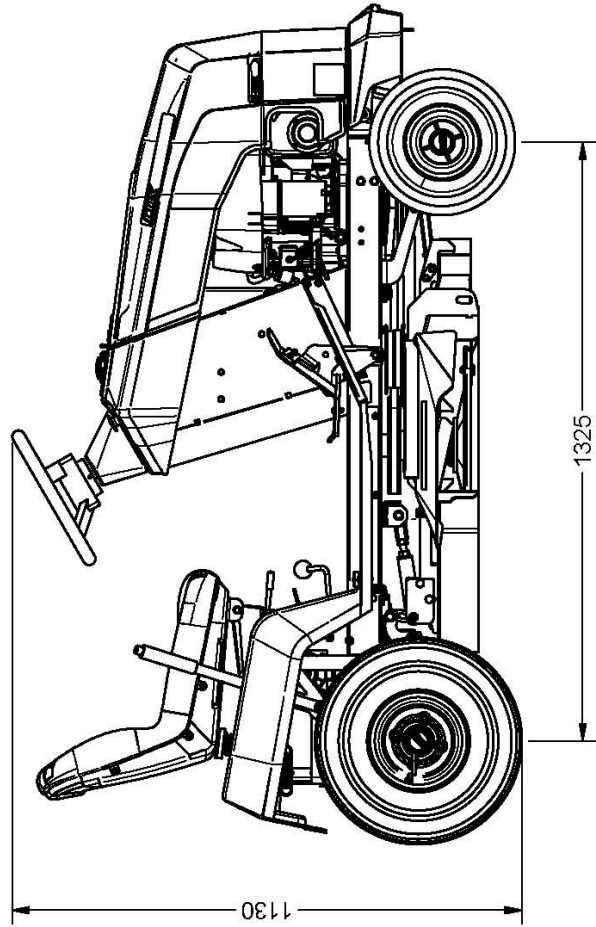
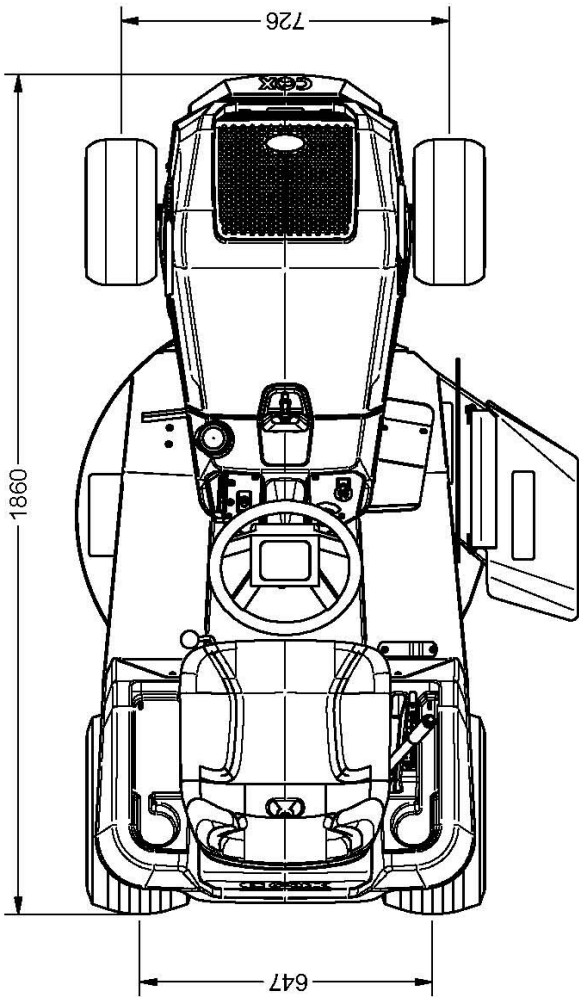
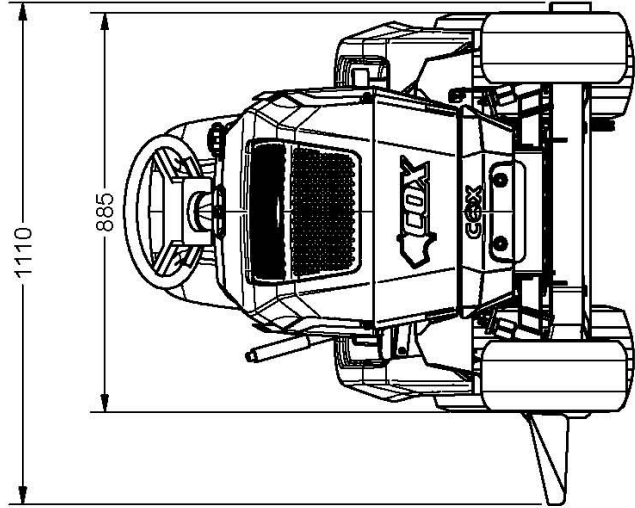
PART NO.	DESCRIPTION	CS45L20B35	CS45L20B42
95067	Non-Skid, Pedal, Brake, 13/32	1	1
A122068	Non-Skid, Platform, 240 X 200	1	1
A163069	Non-Skid, Footrest	2	2
A168223	Non-Skid, Pedal, Drive	1	1
DEC116	Decal, Danger, Mowing Attachment	2	2
DEC124	Decal, Brake	1	1
DEC135	Decal, Caution, Hot Muffler	1	1
DEC136	Decal, Drive Pedal	1	1
DEC177	Badge, Steering Wheel, Oval	1	1
DEC180	Badge, Bonnet	1	1
DEC240	Decal, Proudly Australian	2	2
DEC324	Decal, Cox, Live	1	1
DEC330	Decal, Cox, 250x 80, Red	1	1
DEC333	Decal, Sman 4500, Cox, Bonnet, Side	2	2
DEC337	Decal, Sman 4500, Deck, Do Not Step, 35"	1	NIL
DEC358	Decal, Sman 4500, Side, Left, 20.0hp, Live	1	1
DEC340	Decal, Sman 4500, Control, Speed	1	1
DEC341	Decal, Sman 4500, Switch, Ignition	1	1
DEC342	Decal, Sman 4500, Brake/Park	1	1
DEC353	Decal, Sman 4500, Deck, Do Not Step, 42"	NIL	1
DEC357	Decal, Sman 4500, Side, Right, 20.0hp	1	1
DEC403	Decal, Sman 4500, Instruct, Live	1	1
DEC408	Decal, Sman 4500, Height, Cut	1	1

# Specifications

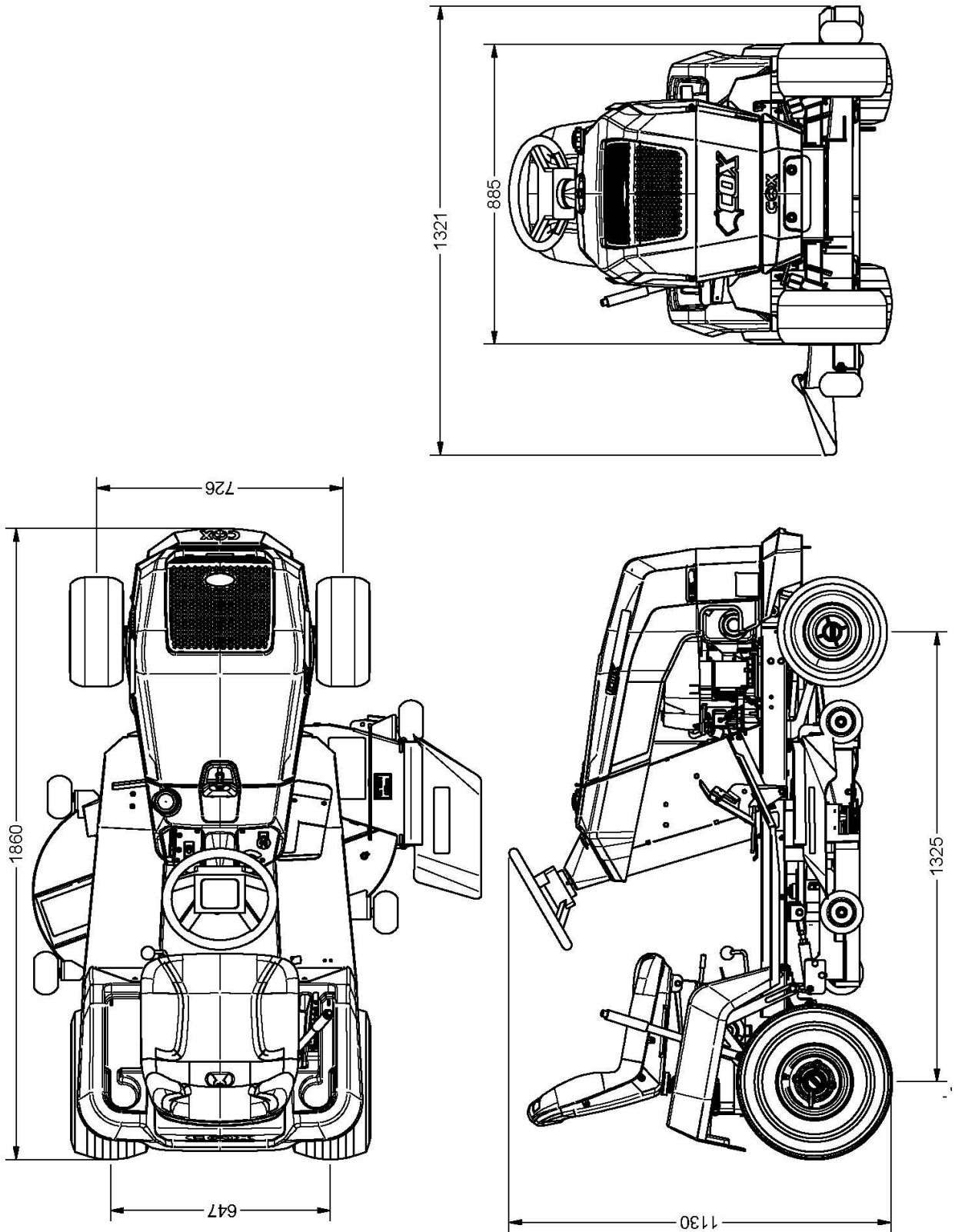
## Model No A16816F COX Stockman 4500 Ride-on Lawn Tractor

Product Code	CS45L20B35 CS45L20B42	20HP (14.9Kw), Live Drive, 890 mm (35") Side Discharge Mowing Attachment 20HP (14.9Kw), Live Drive, 1055 mm (42") Side Discharge Mowing Attachment	
<b>Dimensions, Mass, Capacity</b>		<b>CS45L20B35</b>	<b>CS45L20B42</b>
Length	Lawn Tractor	1860mm	1860 mm
	Width	885 mm	885mm
Width	Lawn Tractor	885 mm	885mm
	Inc Mowing Attachment Deflector Down	1110 mm	1321mm
	Inc Mowing Attachment Deflector Up	985 mm	1196mm
Height		1130 mm	1130 mm
Wheel Base		1325 mm	1325 mm
Front Track [13x6.50-6 Tyres]		726 mm	726 mm
Rear Track [18x9.50-8 Tyres]		647 mm	647 mm
Dry Mass	Lawn Tractor	211.5 kgs	211.5 kgs
	Mowing Attachment 35"	31.5 kgs	
	Mowing Attachment 42"		47.5 kgs
	Total	243 kgs	259 kgs
Fuel Tank Capacity			10.5 Litre
Engine Oil Capacity Including Oil Filter			1.7 Litre
<b>Engine Design &amp; Performance</b>			
Model	Briggs & Stratton 40N877 0025B1		
Type:- Petrol, 4 Stroke, Air Cooled, Vertical PTO, 25.4 mm [1"] Shaft, Fuel Pump, Electric Start	Intek		
Cylinder Configuration	Twin Cast Iron Sleeve		
Valve Type	Overhead		
Displacement	556 cm3		
Bore x Stroke	75.4 mm x 73.4 mm		
Maximum Rated Gross Power to SAE J1940 & J1995 @3600	14.9 kW [20.0 hp]		
Rated Engine Speed (No Load)	Maximum	3600 RPM	
	Idle	1800 RPM	
Alternator Capacity (12 Volt DC)	9 Amps		
Dry Mass	36.8 kg		
<b>Transmission Design &amp; Performance</b>			
<b>Model &amp; Type:-</b> Cox Toe/Heel Friction Drive Cone through Twin Drive Plates + 15.875mm (5/8") Pitch Drive Chain Transmission + Live (Solid) Rear Axle + Band Brake			
Ground Speed (Infinitely Variable)	Forward	0-10.3 km/h	
	Reverse	0-10.3 km/h	
<b>Mowing Attachment Design &amp; Performance</b>		<b>CA17014E</b>	<b>CA17115G</b>
Type: Engine PTO Shaft Mounted Electromagnetic Clutch/Brake, Spring Tensioned, Single V Belt, 4 Parallel Link Points (3 Adjustable).			
1 Spindle, Right Side Discharge, 2 Swing Back Blades	890mm (35")		
2 Spindle, Right Side Discharge, 4 Swing Back Blades			1055 mm [42"]
Anti-scalp Roller	1 optional adjustable		4 Adjustable
Cut Height Range (10 Position)	15-85mm		15-85mm
<b>Miscellaneous</b>		<b>CS45L20B35</b>	<b>CS45L20B42</b>
Minimum Uncut Grass Diameter (Left Turn)	1920mm		1740mm
Maximum Grass Cut per Hour	9000m2		10800m2
Minimum Turning Diameter (Inside Back Tyre)	Left Turn	1620mm	1620mm
	Right Turn	1620mm	1620mm
Battery (12 Volt)	MFU1		MFU1
Fuse (12 Volt ) Blade Type	15 Amps		15 Amps
Maximum Trailer Gross Weight	250 kg		250 kg
Maximum Trailer Hitch Point Load	10 kg		10 kg
<b>Maintenance</b>		<b>CS45L20B35</b>	<b>CS45L20B42</b>
Fuel	Unleaded Petrol, Regular or Premium or E10		
Engine Oil (above + 4°C)	SAE 30 A.P.I. "SF", "SG", "SH", "SJ"		
Spark Plug	Champion XC92YC Gap 0.76 mm		
Mower Blades & Fasteners Part No	SKIT54N	KIT259 (qty 2)	
Drive Belt Cox Part No	V67	V67	
Cutter Belt Cox Part No	V66	V69	

# DIMENSIONS - CS45L20B35



# DIMENSIONS - CS45L20B42





## **Cox Industries (Australia) Pty Ltd**

**70 Landseer Street  
Acacia Ridge Qld 4110  
Australia  
PH 07 3323 2222 FAX 07 3344 6233**

Web Site Address: [www.coxmowers.com.au](http://www.coxmowers.com.au)

Email: [sales@cox-mowers.com.au](mailto:sales@cox-mowers.com.au)