



RIDE-ON MOWER
Model 8900 & 8904J



OWNER/OPERATORS MANUAL
READ THIS MANUAL BEFORE OPERATING MACHINE

DEATH, PERSONAL INJURY AND/OR PROPERTY DAMAGE MAY OCCUR UNLESS INSTRUCTIONS IN THIS
MANUAL ARE FOLLOWED

NOTE: Bring this Manual when Service & or Warranty work is required.

Revised 04/03/2005

LAWN BOSS MODEL 8900

OWNERS INFORMATION

MACHINE CODE NO: _____

SERIAL NO: _____

Located on label inside transmission housing

B&S ENGINE MODEL NO: _____ TYPE _____ CODE _____

DATE OF PURCHASE: _____

ISSUED TO:

OWNERS NAME: _____

ADDRESS: _____

TOWN/CITY: _____ STATE: _____

ISSUED BY:

AUTHORISED DEALER/
DISTRIBUTOR: _____

ADDRESS: _____

TOWN/CITY: _____ STATE: _____

PRE DELIVERY CHECK LIST

Check parts Assemble Service Instruction

ALWAYS KEEP THIS MANUAL IN A SAFE PLACE.

TABLE OF CONTENTS

OWNERS INFORMATION	2
SAFETY INSTRUCTIONS	5
PRE-DELIVERY INSTRUCTIONS	6
OPERATING INSTRUCTIONS	7
MAINTENANCE INSTRUCTIONS	8
MAINTENANCE SCHEDULE	9
PARTS LIST - CHASSIS & COMPONENTS	14
PARTS LIST - FRONT AXLE COMPONENTS.....	16
PARTS LIST - STEERING COMPONENTS	18
PARTS LIST - DRIVE COMPONENTS	20
PARTS LIST - DRIVE PTO COMPONENTS.....	22
PARTS LIST - ENGINE ANCILLARY COMPONENTS	24
PARTS LIST - ELECTRICAL COMPONENTS	26
PARTS LIST - CUTTING ATTACHMENT & COMPONENTS	28
PARTS LIST - DECALS	30
COX INDUSTRIES WARRANTY POLICY	32

8900 SAFETY INSTRUCTIONS

- Read, understand, & follow all instructions in the Owner/Operators manual.
- Know the controls and how to stop the engine quickly in an emergency.
- Allow only responsible adults, who are familiar with the instructions in this manual, to operate the machine.
- Clear the area to be mowed of loose objects such as sticks, stones, bones, wire, toys, debris, etc., which could be picked up and thrown by the blades.
- DO NOT mow whilst people, especially children, or pets are in the mowing area.
- DO NOT mow either direction on slopes beyond 15 degrees (1 in 3.75)
- Exercise extreme caution on slopes.
- Reduce speed on slopes and in sharp turns to prevent overturning or loss of control.
- Start or stop slowly when on slopes.
- Mow up and down slopes, not across the slope.
- Stay alert for holes or bumps in the terrain and other hidden hazards.
- Watch out for traffic when crossing or operating the mower near roadways.
- Stop the blades rotating before crossing surfaces other than grass.
- When using attachments, never direct discharge of material toward bystanders nor allow anyone near the machine while it is in operation.
- Before leaving the operators position-
 - a] Disengage all clutches and secure cutting units;
 - b] Return drive pedal to neutral position and set the parking brake;
 - c] Stop the engine and remove the key.
- Disengage drive to attachments and stop engine-
 - a] Before refueling.
 - b] Before checking, cleaning or working on the mower;
 - c] After striking a foreign object (check the mower for damage and make repairs before restarting and operating the equipment);
 - d] If machine starts to vibrate abnormally (check immediately).
- Disengage drive to attachments when transporting or not in use.
- A mower operator should be in good physical and mental health and not under the influence of alcohol or any drug which might impair vision, co-ordination or judgment.
- Never mow while barefoot or wearing open sandals or thongs. Wear long trousers and heavy shoes.
- It is advisable to wear suitable eye protection when operating a mower.
- Mow only in daylight or good artificial light.
- Before using, always visually inspect to see that blades, bolts and cutter assembly are not worn or damaged. Replace worn or damaged blades and bolts in sets to preserve balance.
- Check all nuts, bolts, and screws often; always be sure the mower is in safe operating condition.
- Keep safety devices (guards and switches) in place and in working order.
- Never use the mower unless the guards provided by the manufacturer, are in position.
- Ensure any replacement parts used comply with the original manufacture's recommendations and specifications.
- Replace worn or faulty silencers.
- Keep machine free of grass, leaves or other debris, excessive oil, grease, or spilled fuel. These can be a fire hazard.
- Refuel outdoors only. Do not smoke while fueling engine. Never remove the cap of the fuel tank or add petrol while the engine is running or the engine is hot. Remove fuel cap slowly to relieve any tank pressure. If fuel is spilled, do not attempt to start the engine but move machine away from the area of the spill and avoid creating any source of ignition until fuel vapors have dissipated.
- Check for fuel leaks while refueling, before and while using the mower. If a fuel leak is found, do not start or run the engine until the fuel leak is fixed and spilled fuel is wiped away.
- Do not operate engine in a confined space where exhaust fumes (carbon monoxide) can collect.
- Always mount the mower from the left or the opposite side to the discharge chute.
- Start the engine carefully with the cutting means disengaged.
- Do not over-speed the engine or alter governor settings. Excessive speed is dangerous and shortens mower life.
- Stop the engine whenever you leave the mower, even for a moment.
- Store the mower in a well-ventilated room away from naked flames such as may be found in hot water heaters.
- Do not lend or sell the mower, without the owners/operators Manual.

8900 PRE-DELIVERY INSTRUCTIONS

INTRODUCTION:

The purpose of this procedure is to ensure the dealer/distributor has made the necessary installations, adjustments and checks, before the machine is operational. This procedure begins upon receiving the crated mower and is finalised once the mower has been either sold or leaves the dealer/distributors premises. This is the minimum amount of work required, however it should not be limited to only the areas detailed in this procedure.

RESPONSIBILITY:

It is the responsibility of the dealer/distributors to ensure that before a machine is delivered to a customer, it is in perfect operational condition.

PROCEDURE:

CHECK ACCESSORIES SUPPLIED IN SEAT PROTECTION BAG

- Engine owners manual
- Owner/Operator manual
- Ignition keys (AM015)
- Spark plug spanner (AM295)
- Tommy bar (AM007)
- Steering wheel (AM167M8)
- Full Nut 3/8" UNC Nyloc x 1
- Washer 3/8" ID, 1 1/4" OD X 1
- Steering wheel hub cap (AM225H04)
- Battery caps x 6 Terminal screws & nuts x 2
- Set Screws 5/16" x 3/4" UNC x 2
- Nuts 5/16" UNC Nyloc x 2
- Seat Springs x 2 (13060)
- Warranty Card
- Pre-delivery Instruction Sheet

Remove the four seat bolts, shakeproof washers and plain washers to remove the plastic bag protection from around seat. Install the four seat bolts, shakeproof washers and plain washers, making sure that the seat is adjusted into the desired position by using the seat transmission slots, tighten bolts.

CHARGING THE BATTERY

Undo the battery cover plate and slide the battery out. Remove the tape covering the fill holes in the battery. Fill each cell of the battery until the acid levels are in between the upper and lower levels marked on the battery. (use 1.240-1.260 specific gravity) Using a 12V, 4 or 8amp battery charger, charge the battery for a period of 30 minutes.

After the charge proceed to do the following:

- Check acid levels in all battery cells (top up if necessary).
- Install battery caps. Allow battery to stand for 30 minutes before usage.

Tighten the red battery lead to the positive terminal first and then the black battery lead to the negative terminal.

Place battery in position, make sure battery leads are well clear of the steering universal, and fit battery cover.

TYRE PRESSURE

Before operation ensure that all tyre pressures are equal. The maximum pressure allowed is 140 kpa (20 P.S.I.).

ENGINE OIL

Before operation ensure that engine oil level is to the full mark on the dipstick. (Check engine owners manual if oil needs to be added).

FUEL TAP

Ensure the fuel tap at the bottom of the LH side of fuel tank is turned to the on position before attempting to start engine. (Use unleaded fuel only).
Turn off fuel tap after use.

STEERING WHEEL

Tighten the steering wheel using the 3/8" Full nut and 3/8"ID. washer. Torque setting for the steering wheel nut is 20Nm (180Lbf in).

Align the three locating pins in the steering hub cap with the holes supplied in the steering wheel, press the steering hub cap in using hand pressure only.

SEAT SPRINGS

Install and tighten the two seat springs, bolts and nuts to the bracket welded to the rear of the chassis, which is situated under the seat/transmission cover.

MICRO (SAFETY) SWITCHES

Park brake micro switch - With cutter lever disengaged, attempt to start the engine without setting the park brake. Engine should not start.

Disengagement micro - While sitting on machine with park brake set and cutter engaged, attempt to start machine. Engine should not start.

Seat micro - While sitting on machine start engine, engage cutter and lift weight from seat. Engine should cut out.

8900 OPERATING INSTRUCTIONS

IMPORTANT RECOMMENDED FUEL

Unleaded fuel is recommended by all manufacturers of engines fitted to Cox products.

SAFETY MICRO SWITCHES

Before operating machine, ensure that all micro-safety switches are operating correctly. Do not operate machine with faulty, missing or damaged safety micro-switches.

STARTING MACHINE

When starting machine; Ensure parking brake is set. Ensure that cutter is disengaged, otherwise electric starter motor will not engage. If engine is cold move throttle to cold start position and return to desired throttle setting when engine starts. Do not attempt to operate engine with throttle lever in cold start (choke) position. (Note electric start engines fitted with recoil can be manually started with cutter disengaged and ignition on).

BLADE WARNING

Do not use mowing attachment with broken or bent blades, damaged or worn bolts and nuts or damaged cutter disc, otherwise damage and premature wear will result from vibration. Replace blades, bolts and nuts only in pairs to maintain correct balance. Recommended blade nut torque is 36-40Nm. Do not over tighten.

Keep both feet and hands clear at all times of the mowing attachment while attempting to start or operate the machine.

WARNING

DO NOT OPERATE WITHOUT MOWING ATTACHMENT DEFLECTOR FITTED & DOWN.

Safety footwear is recommended when operating machine. Mount and dismount only from left hand side of machine. Reference to left or right hand side of machine is determined by sitting in the operating position on the machine. Ensure machine has parking brake engaged when attempting to start engine. Never allow engine revs to exceed more than 3600 RPM.

TO OPERATE

BEFORE STARTING/SWITCHING OFF:

See Engine Maintenance/Instruction Sheet. When stopping engine disengage cutter return throttle to slow position and switch off

DISENGAGING MOWING ATTACHMENT:

The Disengaging lever is situated on the right hand side by the steering column. Before starting, disengage mowing attachment by pulling lever fully to the operator. For safety it is advisable at all times, other than when mowing, that the mowing attachment be kept in the disengaged position.

TO DRIVE FORWARD/REVERSE:

Power is regulated by the throttle, set throttle control to desired engine power. Press down on the forward section of the drive pedal for forward movement, on the rear of the drive pedal for reverse. The amount of movement controls the ground speed, less movement from the neutral position results in less ground speed, use this feature especially in heavier conditions.

MANOEUVRING:

The forward and reverse operation makes the machine very manoeuvrable and the sharpest turns can be negotiated easily and quickly, however;

Owing to the hydrostatic transmission, when manoeuvring the machine you must allow the machine to come to a complete stop before moving off in the opposite direction. This means that if you are travelling forward and need to reverse out of an area etc, you must return the pedal to the neutral position come to a complete stop and then select reverse drive and Vice Versa for travelling from reverse to forward.

TO BRAKE (WITH ENGINE RUNNING):

The drive pedal must be used to slow/brake the machine. If travelling forward ease the pedal back into the neutral position and the machine will slow and stop. When travelling in reverse ease the pedal forward into the neutral position. Should a failure occur during operation use the brake pedal situated on the right hand side above and central of the drive pedal.

TO BRAKE (WITH ENGINE STOPPED):

Use the brake pedal only.

PARKING AND TRANSPORTATION BRAKE:

TO ACTIVATE: Fully depress the brake pedal situated at the right hand of the mower. Depress park brake lock protruding out of the right hand side of the console and release brake pedal to engage the park brake function. Depress pedal and the mechanism will release.

Do not engage parking brake unless the machine has completely stopped.

Do not attempt to drive with park brake engaged.

CUTTING HEIGHT ADJUSTMENT:

The height adjustment lever is located on the left hand side of the machine and may be altered to suit varying conditions.

NOTE: When mowing slopes, keep drive pedal in forward or reverse, depending on direction of travel. The low gearing will prevent it from picking up excessive speed. If very steep it may be necessary to throttle back slightly and /or, decrease pedal travel.

8900 MAINTENANCE INSTRUCTIONS

It is the owner's responsibility to ensure that all-periodical checks, necessary adjustments and services are carried out.

STOP ENGINE - Never attempt any maintenance with the engine running, remove spark plug lead and ensure the blades have stopped rotating. Before servicing, disconnect spark plug wire and ground it, disconnect battery at negative terminal, to prevent accidental starting.

1. OIL CHANGING & FILTER REPLACEMENT (ENGINE): See Engine Maintenance/Instructions Sheet and carry out as per Engine Manufacturers Recommendations.

SERVICING ENGINE AIR CLEANER FOAM PRE-CLEANER— See engine owners manual for correct method to check and service engine air cleaner foam pre-cleaner.

2. LUBRICATION OF MACHINE: Lubrication of machine must be carried out every 25 hours of operation or once a month, whichever falls first. More frequently when operated under adverse conditions.

A. OILING: A few drops of oil should be placed at the following points: Steering linkages and pivot points, disengaging linkages and height adjustment mechanism.

B CHAIN: Use only chain lube for lubrication of the steering chain.

3. TO CHECK BLADES: Stop engine. Remove spark plug lead. Side Discharge Only, lift deflector and height adjustment control to highest position. If necessary simply remove the blade bolt and nut using a suitable spanner and replace worn parts.

4. ENGINE TO TRANSMISSION VEE BELT ADJUSTMENT: Loosen the four engine mounting bolts. Move engine forward and adjust belt firmly. Do not over tension. While maintaining tension on the engine re-tighten bolts. Check belt tension at machine service period (25hrs) or more frequently under heavy mowing conditions.

5. TRANSMISSION TO CUTTER VEE BELT ADJUSTMENT: Tension is automatically adjusted by the belt tensioning springs. However, as the belt stretches it will be necessary to lower the rear of the cutter housing by loosening the rear lifting link nut, and visa versa when a new belt is fitted.

6. CUTTER BRAKE ASSEMBLY ADJUSTMENT: With disengagement handle in engaged position and mowing attachment in low cut, normal clearance between cutter head pulley and cutter head brake pad is approximately 3mm (1/8"). To adjust clearance, remove 'R' pin from brake pull rod, adjust to give required clearance, replace brake pull rod and 'R' pin. Check operation after adjustment.

7. DISENGAGING ADJUSTMENT: With the engine switched off, engage the mowing attachment, then fully lower. Place a straight edge vertically against the front of the front axle beam and in line with the disengagement lever. Measure the distance between the straight edge and the 8mm dia pin fitted with the small 'R' pin for the threaded adjuster. Disengage mowing attachment and using the same method, check the new distance. The difference should be 20 – 22mm. Engage mowing attachment, remove 'R' pin and adjust threaded adjuster accordingly. Install 'R' pin and re-check measurement. Due to normal wear in transmission to cutter vee belt, the disengagement lever will move lower and touch the foot rest. When this occurs the amount of travel will need to be re-adjusted. If a new vee belt is installed the above settings will apply.

Start engine and raise cutter to full height stop, cutter belt should not engage. If this occurs switch off engine, engage cutter then screw adjuster out 1 – 2 turns then retest.

8. TO ADJUST STEERING CHAIN: Adjust chain by loosening the four bolts which hold the steering idler shaft mounting brackets (AM255) in position, slide forward to tension chain then retighten bolts.

9. TO REMOVE MOWING ATTACHMENT: Fully lower mowing

attachment and engage, remove weight compensating spring, remove 'R' pin from rear lifting link and disconnect, remove 'R' pin from cutter brake adjusting rod and disconnect, disengage mowing attachment, remove belt, remove front pivot pin, Turn steering wheel to the left to slide out mowing attachment. To Refit, reverse the above.

10. TYRE PRESSURE: 140 Kpa (20.P.S.I.) approximately front and rear. Uneven pressure can give an uneven finish when mowing and may cause damage to tyres and/or tubes.

11. BATTERY MAINTENANCE: Maintain electrolyte fluid level just above plates by topping regularly with distilled water. When not in use, a battery discharges by as much as 1% a day, more when the climate is warm. To make up for this loss, a boosting charge should be given once a month. Disconnect battery terminals to charge, then allow to stand minimum 1/2hr before re-connecting (re-check electrolyte level). If a battery is not used for a period of more than three (3) months, the terminals should be disconnected and trickle charged at two (2) amps for two (2) hours once every three (3) months or before use.

12. SEAT ADJUSTMENT: Loosen four seat mounting bolts and slide seat into desired position in slots and re-tighten bolts.

13. CLEANING AND POLISHING POLYETHYLENE BONNET AND REAR MUDGUARD: To keep scratches on bonnet and mudguard to minimum, do not rub or brush off with bare hands, use a soft cloth or a light flow of compressed air. For dirt, wash with a steady stream of water only (no detergent), then blow off excess water with air. To polish remove excess dust or dirt. When surface is dry, spray on an automotive type plastic preservative and leave on for 30 to 60 seconds. Using a dry soft cloth (i.e. cheesecloth) wipe off to bring up lustre.

GENUINE SPARE PARTS: Always use Genuine Cox Factory Made Spare Parts. Use of non-genuine COX spares will void your warranty.

SAFETY FIRST: The use of any mechanical appliance can cause injury if incorrect procedures are used. Please ensure that all family members of intended operators read this manual thoroughly.

TORQUE SETTINGS

1/4" UNC BOLT/NUT	10Nm (84lbf in)
5/16" UNC BOLT/NUT	20Nm (180lbf in)
3/8" UNC BOLT/NUT	36Nm (27lbf ft)
7/16" UNF BOLT	68Nm (50lbf ft)
6mm BOLT/NUT	9Nm (80lbf in)
20mm NUT	100Nm (74lbf ft)
5/8" UNF NUT	100Nm (74lbf ft)

We are proud that you have purchased a Cox product and urge you to follow these instructions to obtain the maximum life for your machine. If in doubt check with your supplier.

8900 MAINTENANCE SCHEDULE

BEFORE EACH USE

Check engine oil level, adjust if required
Check engine air cleaner foam pre-cleaner, service if required
Check engine rotating screen/finger guard, clean if required
Check operation of safety switches, service if required
Check engine air inlet console screen, clean if required
Check foot brake operation

Check tyre pressures, adjust if required
Check for loose fasteners, tighten if required
Lubricate stub axles
Check mowing attachment cutter blades, bolts, nuts, disc/s, housing, and guards for wear or damage, replace if required

BEFORE STORAGE

Change engine oil - Clean machine - Lubricate as per required

EVERY 5 HOURS

Check engine oil level, adjust if required
Check engine air cleaner foam pre-cleaner, service if req.
Check engine rotating screen/finger guard, clean if required
Check operation of safety switches, service if required
Check engine air inlet console screen, clean if required
Check foot brake operation

Check tyre pressures, adjust if required
Check for loose fasteners, tighten if required
Lubricate stub axles
Check mowing attachment cutter blades, bolts, nuts, disc/s, housing, and guards for wear or damage, replace if required

1 MONTH OR 5 HOURS WHICH EVER OCCURS FIRST

Change engine oil
Check engine air cleaner foam pre-cleaner, service if required
Check engine rotating screen/finger guard, clean if required
Check engine air inlet console screen, clean if required
Check foot brake operation, adjust if required
Check operation of safety switches, service if required
Check tyre pressures, adjust if required
Lubricate stub axles

Check mowing attachment cutter blades, bolts, nuts, disc/s, housing, and guards for damage, replace if required
Check and adjust engine to transmission vee belt if required.
Check for loose fasteners, tighten if required
Check transmission to cutter vee belt and adjust cutter housing level if required

DATE / / HOURS.....DEALER.....

3 MONTH OR 25 HOURS WHICH EVER OCCURS FIRST

Change engine oil if operating under heavy load or high ambient temperature
Check engine air cleaner foam pre-cleaner, service if required *
Check engine rotating screen/finger guard, clean if required *
Check engine air inlet console screen, clean if required *
Check foot brake operation
Check operation of safety switches and replace if required
Check tyre pressures, adjust if required
Lubricate stub axles

Check mowing attachment cutter blades, bolts, nuts, disc/s, housing, and guards for wear or damage, replace if required
Check and adjust engine to transmission vee belt if required..
Check battery condition, service if required
Check transmission to cutter vee belt and adjust cutter housing level if required
Check for loose fasteners, tighten if required

*Service more often under dusty conditions, or where air borne debris is present

DATE / / HOURS.....CUSTOMER.....

6 MONTH OR 50 HOURS WHICH EVER OCCURS FIRST

Change engine oil if operating under heavy load or high ambient temperature
Check engine air cleaner foam pre-cleaner, service if required *
Check engine rotating screen/finger guard, clean if required *
Check engine air inlet console screen, clean if required *
Check foot brake operation
Check operation of safety switches and replace if required
Check tyre pressures, adjust if required
Lubricate stub axles

Check mowing attachment cutter blades, bolts, nuts, disc/s, housing, and guards for wear or damage, replace if required
Check for loose fasteners, tighten if required
Check and adjust engine to transmission vee belt if required..
Check battery condition, service if required
Check transmission to cutter vee belt and adjust cutter housing level if required

*Service more often under dusty conditions, or where air borne debris is present

DATE / / HOURS.....DEALER.....

9 MONTHS OR 75 HOURS WHICH EVER OCCURS FIRST

Change engine oil if operating under heavy load or high ambient temperature
Check engine air cleaner foam pre-cleaner, service if required *
Check engine rotating screen/finger guard, clean if required *
Check engine air inlet console screen, clean if required *
Check foot brake operation
Check operation of safety switches and replace if required
Check tyre pressures, adjust if required
Lubricate stub axles

Check mowing attachment cutter blades, bolts, nuts, disc/s, housing, and guards for wear or damage, replace if required
Check for loose fasteners, tighten if required
Check battery condition, service if required
Check transmission to cutter vee belt and adjust cutter housing level if required
Check and adjust engine to transmission vee belt if required..

*Service more often under dusty conditions, or where air borne debris is present

DATE / / HOURS.....CUSTOMER/DEALER.....

12 MONTHS OR 100 HOURS WHICH EVER OCCURS FIRST

Change engine oil filter
Change engine oil
Check engine spark plug, clean, adjust, or replace if required
If fitted clean engine exhaust spark arrester
Check engine air cleaner foam pre-cleaner, service if required *
Check engine air cleaner cartridge, service if required*
Clean engine cooling system*
Replace in-line fuel filter
Check foot brake operation
Lubricate stub axles Check for loose fasteners, tighten if required
Check operation of safety switches, service if required
Check tyre pressures, adjust if required
Check steering chain an sprockets or wear, adjust if required

Check mowing attachment cutter blades, bolts, nuts, disc/s, housing, and guards for wear or damage, replace if required
Re-tension rear wheel retaining nut/s
Check battery condition, service if required
Check belts for wear or damage, replace if required
Check and adjust engine to transmission vee belt if required..
Check transmission to cutter vee belt and adjust cutter housing level if required

*Service more often under dusty conditions, or where air borne debris is present

DATE / / HOURS.....DEALER.....

15 MONTHS OR 125 HOURS WHICH EVER OCCURS FIRST

Change engine oil if operating under heavy load or high ambient temperature
Check engine air cleaner foam pre-cleaner, service if required *
Check engine rotating screen/finger guard, clean if required *
Check operation of safety switches and replace if required
Check foot brake operation
Lubricate stub axles Check tyre pressures, adjust if required
Check battery condition, service if required

Check mowing attachment cutter blades, bolts, nuts, disc/s, housing, and guards for wear or damage, replace if required
Check for loose fasteners, tighten if required
Check transmission to cutter vee belt and adjust cutter housing level if required
Check and adjust engine to transmission vee belt if required..

*Service more often under dusty conditions, or where air borne debris is present

DATE / / HOURS.....CUSTOMER/DEALER.....

18 MONTHS OR 150 HOURS WHICH EVER OCCURS FIRST

Change engine oil
If fitted clean engine exhaust spark arrester
Check engine air cleaner foam pre-cleaner, service if required *
Check engine rotating screen/finger guard, clean if required *
Check engine air inlet console screen, clean if required *
Check foot brake operation
Check operation of safety switches, service if required
Check tyre pressures, adjust if required
Lubricate stub axles
Check steering chain an sprockets or wear, adjust if required
Check mowing attachment cutter blades, bolts, nuts, disc/s, housing, and guards for wear or damage, replace if required
Check belts for wear or damage, replace if required
Check mowing attachment brake pad for wear, replace if required
Check clutch arm action, adjust if required
Check battery condition, service if required

Check for loose fasteners, tighten if required
Check and adjust engine to transmission vee belt if required..
Check Transmission to cutter vee belt and adjust cutter housing level if required

*Service more often under dusty conditions, or where air borne debris is present

DATE / / HOURS.....DEALER.....

21 MONTHS OR 175 HOURS WHICH EVER OCCURS FIRST

Change engine oil if operating under heavy load or high ambient temperature
 Check engine air cleaner foam pre-cleaner, service if required *
 Check engine rotating screen/finger guard, clean if required *
 Check foot brake operation
 Check operation of safety switches and replace if required
 Check tire pressures, adjust if required
 Lubricate stub axles

Check mowing attachment cutter blades, bolts, nuts, disc/s, housing , and guards for wear or damage, replace if required
 Check battery condition, service if required
 Check for loose fasteners, tighten if required
 Check transmission to cutter vee belt and adjust cutter housing level if required
 Check and adjust engine to transmission vee belt if required..

*Service more often under dusty conditions, or where air borne debris is present

DATE / / HOURS.....CUSTOMER/DEALER.....

24 MONTHS OR 200 HOURS WHICH EVER OCCURS FIRST

Replace engine oil filter
 Change engine oil
 Check engine spark plug, clean, adjust, or replace if required
 If fitted clean engine exhaust spark arrestor
 Check engine air cleaner foam pre-cleaner , service if required *
 Check engine air cleaner cartridge, service if required
 Clean engine cooling system*
 Check foot brake operation
 Check operation of safety switches, service if required
 Check tire pressures, adjust if required
 Lubricate stub axles
 Check steering chain and sprockets for wear, adjust if required
 Check mowing attachment cutter blades, bolts, nuts, disc/s, housing, and guards for wear or damage, replace if required

Check belts for wear or damage, replace if required
 Check battery condition, service if required
 Check for loose fasteners, tighten if required
 Check and adjust engine to transmission vee belt if required..
 Check transmission to cutter vee belt and adjust cutter housing level if required

*Service more often under dusty conditions, or where air borne debris is present

DATE / / HOURS.....DEALER.....

27 MONTHS OR 225 HOURS WHICH EVER OCCURS FIRST

Change engine oil if operating under heavy load or high ambient temperature
 Check engine air cleaner foam pre-cleaner, service if required *
 Check engine rotating screen/finger guard, clean if required *
 Check foot brake operation
 Check operation of safety switches and replace if required
 Check tire pressures, adjust if required
 Lubricate stub axles

Check mowing attachment cutter blades, bolts, nuts, disc/s, housing , and guards for wear or damage, replace if required
 Check battery condition, service if required
 Check for loose fasteners, tighten if required
 Check transmission to cutter vee belt and adjust cutter housing level if required
 Check and adjust engine to transmission vee belt if required..

*Service more often under dusty conditions, or where air borne debris is present

DATE / / HOURS.....CUSTOMER/DEALER.....

30 MONTHS OR 250 HOURS WHICH EVER OCCURS FIRST

Change engine oil
 If fitted clean engine exhaust spark arrestor
 Check engine air cleaner foam pre-cleaner , service if required *
 Check engine rotating screen/finger guard , clean if required *
 Check foot brake operation
 Check operation of safety switches, service if required
 Check tire pressures, adjust if required
 Lubricate stub axles
 Check steering chain and sprockets for wear, adjust if required
 Check mowing attachment cutter blades, bolts, nuts, disc/s, housing, and guards for wear or damage, replace if required
 Check belts for wear or damage, replace if required

Check battery condition, service if required
 Check for loose fasteners, tighten if required
 Check and adjust engine to transmission vee belt if required..
 Check transmission to cutter vee belt and adjust cutter housing level if required

*Service more often under dusty conditions, or where air borne debris is present

DATE / / HOURS.....DEALER.....

33 MONTHS OR 275 HOURS WHICH EVER OCCURS FIRST

Change engine oil if operating under heavy load or high ambient temperature
Check engine air cleaner foam pre-cleaner, service if required *
Check engine rotating screen/finger guard, clean if required *
Check foot brake operation
Check operation of safety switches and replace if required
Check tire pressures, adjust if required
lubricate stub axles

Check mowing attachment cutter blades, bolts, nuts, disc/s, housing, and guards for wear or damage, replace if required
Check battery condition, service if required
Check for loose fasteners, tighten if required
Check transmission to cutter vee belt and adjust cutter housing level if required
Check and adjust engine to transmission vee belt if required..

*Service more often under dusty conditions, or where air borne debris is present

DATE / / HOURS.....CUSTOMER/DEALER.....

36 MONTHS OR 300 HOURS WHICH EVER OCCURS FIRST

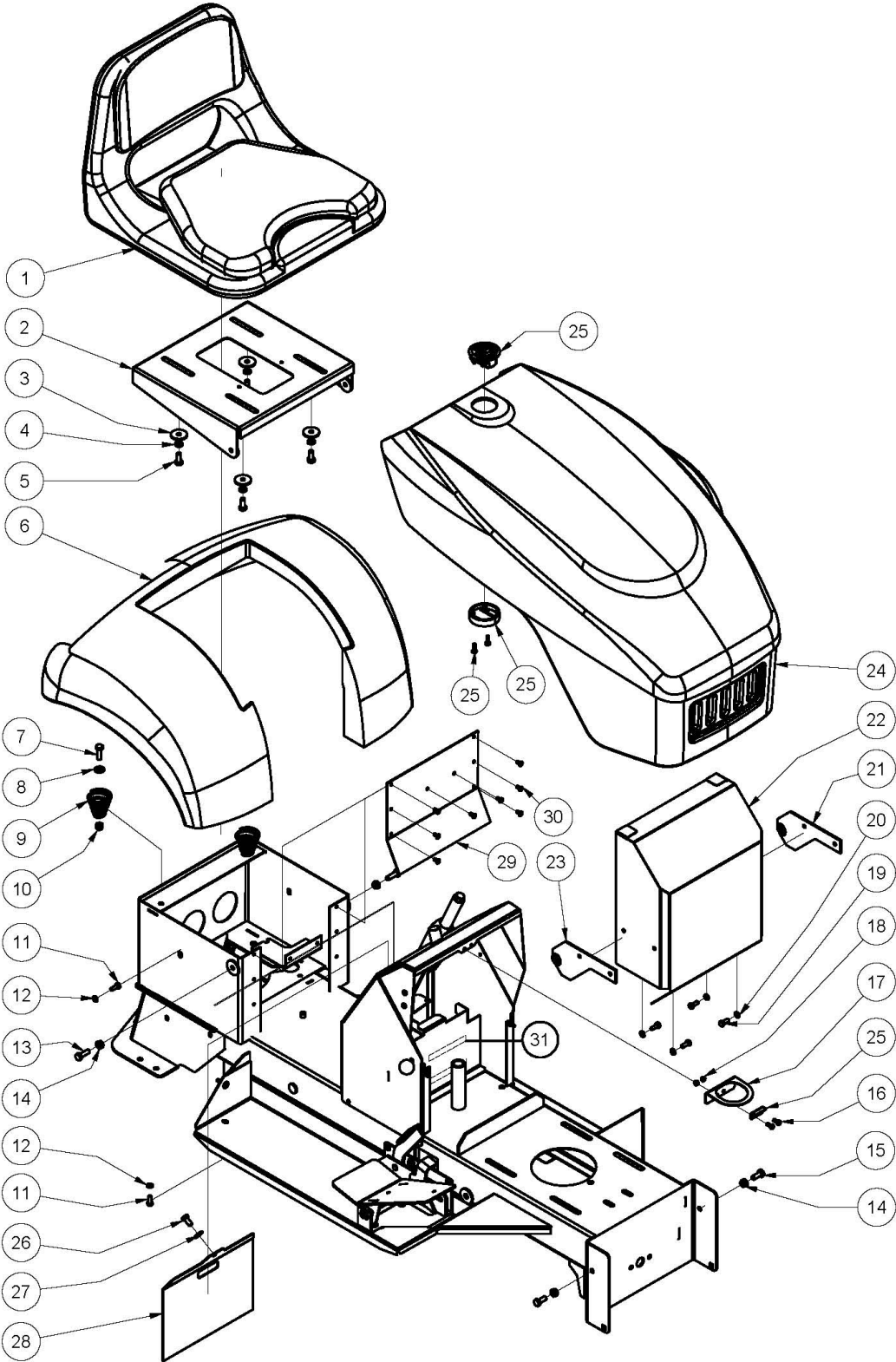
Replace engine oil filter
Change engine oil
Check engine spark plug, clean, adjust, or replace if required
If fitted clean engine exhaust spark arrestor
Check engine air cleaner foam pre-cleaner, service if required *
Check engine air cleaner cartridge, service if required
Clean engine cooling system*
Check foot brake operation
Check operation of safety switches, service if required
Check tire pressures, adjust if required
Lubricate stub axles Check steering chain an sprockets or wear, adjust if required
Check mowing attachment cutter blades, bolts, nuts, disc/s, housing, and guards for wear or damage, replace if required

Check belts for wear or damage, replace if required
Check battery condition, service if required
Check for loose fasteners, tighten if required
Check and adjust engine to transmission vee belt if required..
Check transmission to cutter vee belt and adjust cutter housing level if required

*Service more often under dusty conditions, or where air borne debris is present

DATE / / HOURS.....DEALER.....

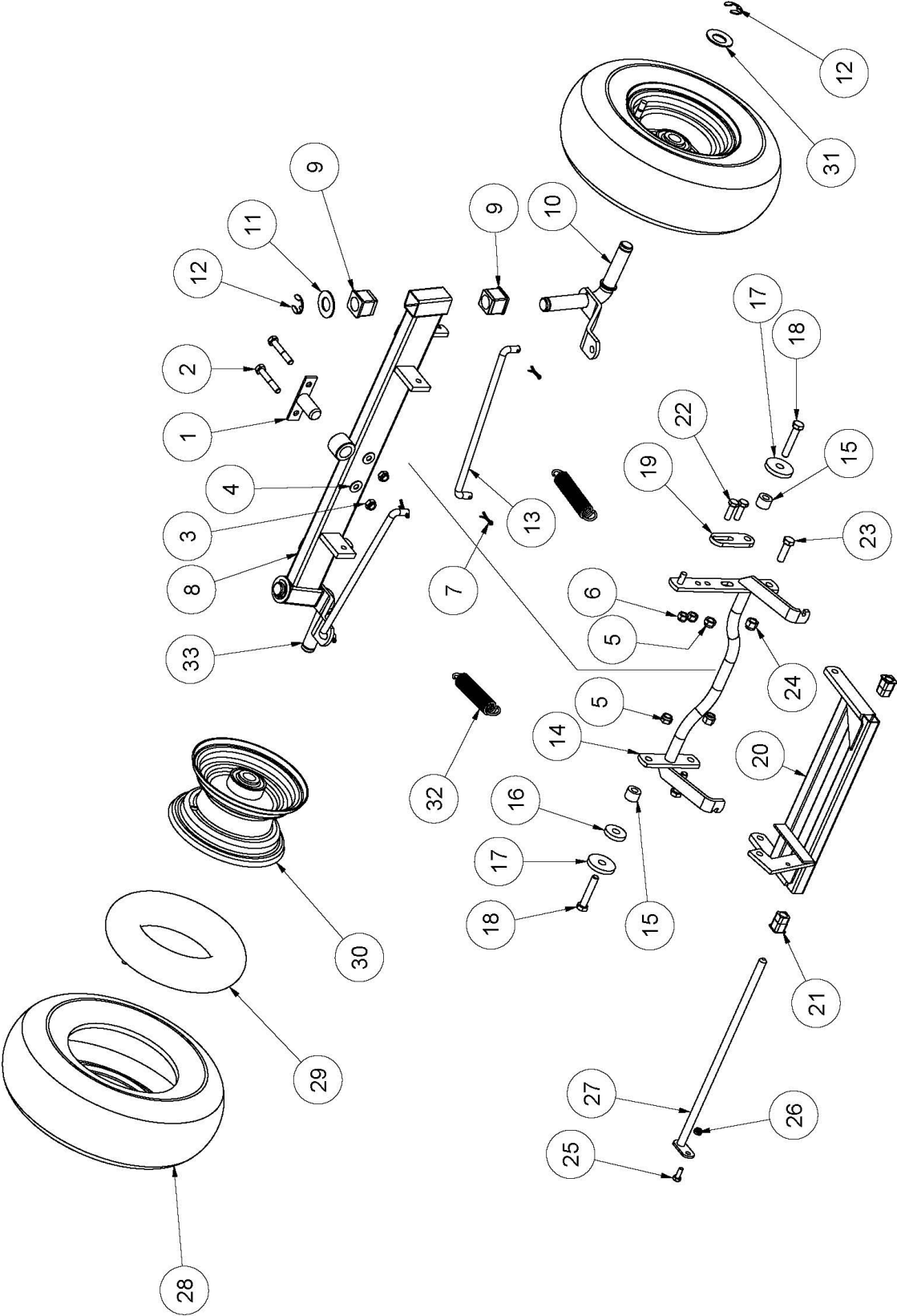
Model 8900:- Chassis & Components



Model 8900:- Chassis & Components

ITEM	PART NO.	DESCRIPTION	QTY
1	80019Y	Seat	1
2	89008	Seat Base	1
3	W052003	Washer, Flat	4
4	WS050216	Washer, Lock, Spring	4
5	SH0512C	Screw	4
6	89044	Mudguard	1
7	SH0516C	Screw	2
8	W05M202	Washer, Flat	2
9	13060	Spring, Seat	2
10	N05CN	Nut	2
11	SH0616M	Screw	4
12	WS040816	Washer, Lock, Spring	4
13	SH0516C	Screw	2
14	N05CN	Nut	2
15	SH0512C	Screw	2
16	SH0512M	Screw	2
17	80023	Bracket, Locate, Bonnet Latch	1
18	NM5NT	Nut	2
19	SH0616M	Screw	4
20	WS040816	Washer, Lock, Spring	4
21	80010L	Plate, Hinge, Bonnet, Left Hand	1
22	80011	Baffle, Hot Air	1
23	80010R	Plate, Hinge, Bonnet, Right Hand	1
24	89043	Bonnet	1
25	LO1	Latch Housing & Handle C/W Latch Plate	1
26	SH0816M	Screw	1
27	W051218	Washer, Flat	1
28	89021	Door, Console	1
29	89062	Cover, Trans Box, Front	1
30	PR0306	Rivet	8
31	89073	Strip, Battery	1

Model 8900:- FRONT AXLE COMPONENTS



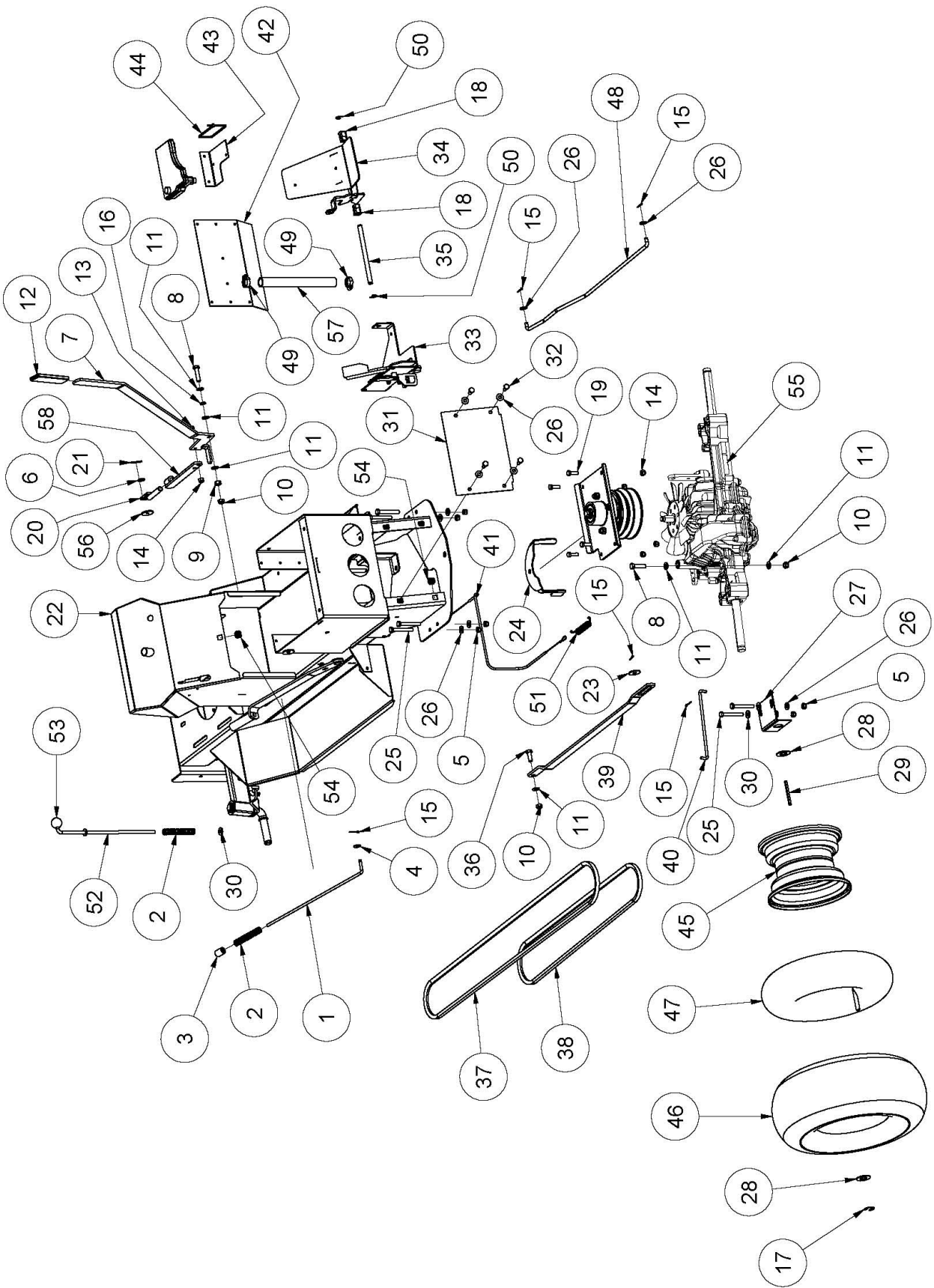
Model 8900:- FRONT AXLE COMPONENTS (PRESSED METAL HUBS)

ITEM	PART NUMBER	DESCRIPTION	QTY
1	13242	Pin, Pivot, Front Axle	1
2	B0850M	Bolt	2
3	NM8NT	Nut	2
4	W051218	Washer, Flat	2
5	N06CN	Nut	2
6	N05CN	Nut	2
7	CP3-220	Pin, Split	4
8	89005	Axle Beam Model 89	1
9	89028	Bush, Pivot, Nylon	4
10	89050	Axle, Stub, R/H	1
11	W203902	Washer, Flat	2
12	C02	Circlip, Ext, "E" Type	4
13	89020	Tie Rod	2
14	89099	Link, Connect, Axle	1
15	13155	Spacer, Connecting	2
16	W072004	Washer, Flat	1
17	W072606	Washer, Flat	2
18	B0632C	Bolt	2
19	89098	Link, Adjust	1
20	89080	Link, Connect, Cutter, Yellow	1
21	AM230	Bush - Plastic	2
22	SH0516C	Screw	2
23	B0620C	Bolt	2
24	NF06CN	Nut	2
25	SH0616M	Screw	1
26	NM6NT	Nut	1
27	13016	Pin	1
28	TT13X500-6SS	Tyre & Tube	2
29	STU13X500-6SS	Tube (Straight Stem)	2
30	89070	Wheel, Rim, Front, C/W Bearings	2
31	WSCM20402.0	Washer, Spring, Conical	2
32	AM040	Spring Extension, Cutter Belt	2
33	89057	Axle, Stub, L/H	1

Model 8900:- Steering Components from Serial No 1101

ITEM	PART NUMBER	DESCRIPTION	QTY
1	W041216	Washer, Flat	7
2	AM331	Steering Idler	1
3	AM017C1	Steering Shaft Bush With Collar	3
4	AM018	Chain, Steering	1
5	89083	Shaft, Steering, Lower	1
6	89097	Steering Shaft Yoke	2
7	89100	Fastener, Push-on	1
8	90113	Steering Idler Shaft Mtg Bracket	2
9	PLAS5-16	Screw	4
10	OC20	"O" Clip	2
11	NF06CN	Nut	8
12	AM167M8	Steering Wheel	1
13	W0620HD	Washer, Flat	2
14	AM225H04	Steering Wheel, Cover, Cap	1
15	89087	Steering Shaft Upper	1
16	C05	Circlip, Ext, "E" Type	1
17	B0625M	Bolt	6
18	AM25399J	Disc, Universal Joint	1
19	NM6NT	Nut	12

Model 8900: DRIVE COMPONENTS



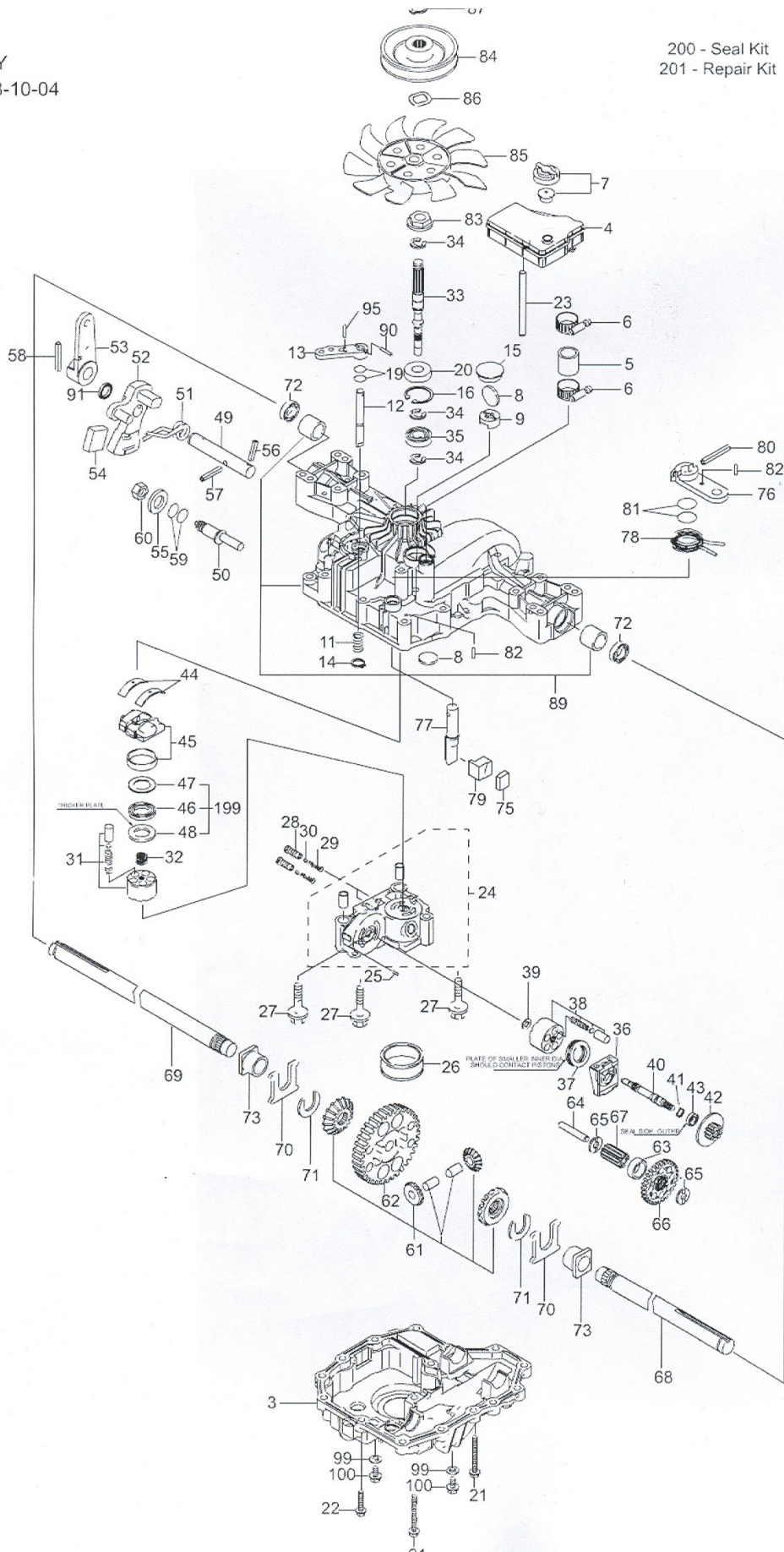
Model 8900: DRIVE COMPONENTS (pressed metal hubs)

ITEM	PART NUMBER	DESCRIPTION	QTY
1	89015	Height Adjust Rod	1
2	AM012	Height Adjustment Pawl Push Rod Spring	2
3	AM013Q2	Height Adjustment Pawl Push Rod Button	1
4	W041216	Washer, Flat	1
5	NM8NT	Nut	8
6	W051218	Washer, Flat	8
7	80016	Lever, Disengage Cutter	1
8	B0624C	Bolt	1
9	N06C	Nut	1
10	N06CN	Nut	2
11	W061216	Washer, Flat	4
12	AM009	Hand Grip	1
13	SH0512C	Screw	1
14	N05CN	Nut	5
15	CP3-220	Pin, Split	5
16	WS06081.5	Washer, Lock	1
17	C02	Circlip, Ext, "E" Type	2
18	AM230	Bush	2
19	SH0516C	Screw	4
20	AM241	Disengage Adjuster, Threaded	1
21	RP01	Pin, "R"	1
22	89090	Chassis Assembly Complete	1
23	W0620HD	Washer, Flat	1
24	89092	Belt Guide, Drive Pulley	1
25	SH0865M	Screw	8
26	W051216	Washer, Flat	12
27	14022	Hub, Thrust, Bracket	2
28	W122414	Washer, Flat	4
29	89095	Key	2
30	W05M202	Washer, Flat	5
31	89037	Door, Rear Trans	1
32	SH0820M	Screw	4
33	89012	Brake Pedal	1
34	89011	Pedal Drive	1
35	89023	Pin, Pivot, Drive	1
36	SH0616C	Screw	1
37	V39	Belt—Engine	1
38	V40	Belt—Cutter	1
39	89046	Connecting Link, Front To Rear	1
40	89051	Rod, Select Freewheel	1
41	89074	Cable, Brake	1
42	89062	Cover, Trans Box, Front	1
43	89076	Bracket, Hyd Reservoir	1
44	CABLE TIE	Cable Tie	1
45	89071	Wheel, Rim, Rear	2
46	TT16X650- 8SS	Tyre	2
47	STU16X650-8SS	Tube	2
48	89052	Control Rod, Drive	1
49	CH01	Hose Clamp	2
50	C03	Circlip, External, "E" Type	2
51	14101	Spring, Extension, Brake	1
52	89013	Pin, Locking, Park Brake	1
53	14038	Knob	1
54	NCM8X3.2	Nut	5
55	89029	Transaxle	1
56	W052003	Washer, Flat	1
57	89089	Hose Transaxle, 240 Long	1
58	AM240	Disengage Adjuster, Bushed	1

Model 8900: TRANSAXLE COMPONENTS

K46AY
Rev. 8-10-04

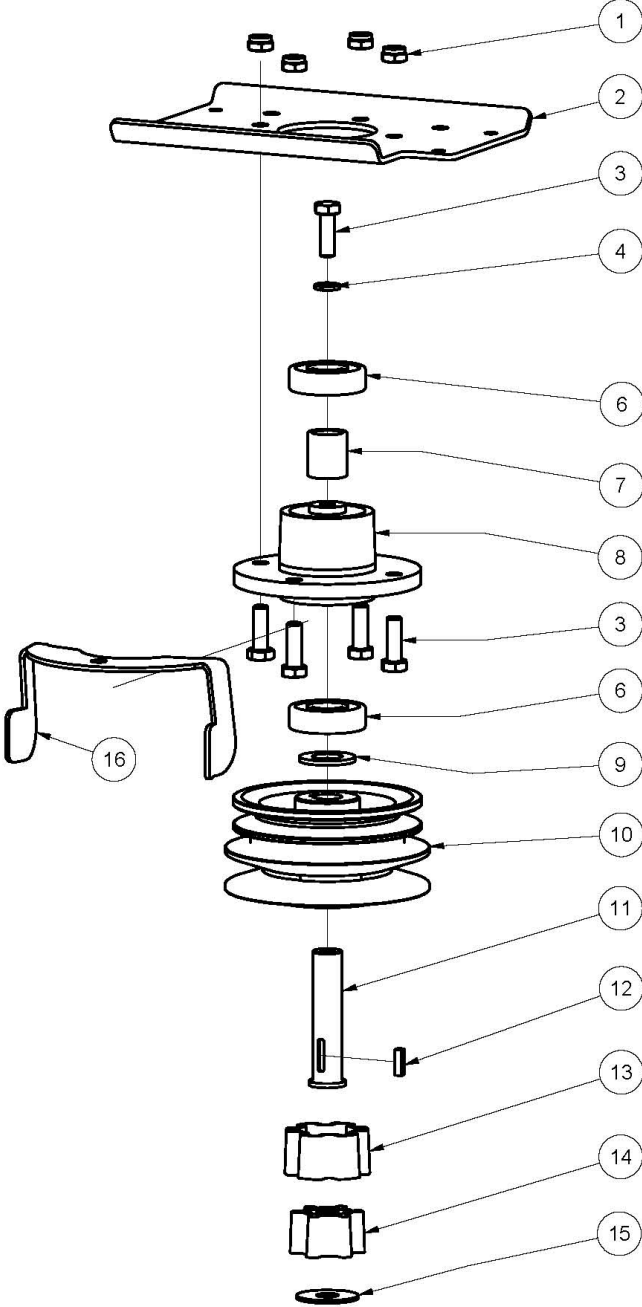
200 - Seal Kit
201 - Repair Kit



Model 8900: TRANSAXLE COMPONENTS (TUFF TORQ)

ITEM	PART NO.	DESCRIPTION	QTY	ITEM	PART NO.	DESCRIPTION	QTY
1	T7A646084080	K46ay	1	67	T1A646033531	Final Pinion Gear (10t)	1
3	T1A646084163	Lower Case	1	68	T1A646089430	Axle Shaft Left	1
4	T1A646024470	Reservoir Tank	1	69	T1A646089440	Axle Shaft Right	1
5	T1A646024201	Tube	1	70	T19216334261	Thrust Washer	1
6	T1A646024120	Cobra Clamp	1	71	T19216834270	Ring 17	1
7	T19485924252	Vent Valve 15	1	73	T19216834350	Bushing	1
9	T1A646024370	Magnet Holder	1	75	T1A646036121	Brake Shoe	1
11	T19215427281	Spring 25	1	76	T1A646036160	Brake Lever	1
12	T1A646089510	Bypass Shaft B	1	77	T1A646036171	Brake Shaft	1
13	T1A632029520	Bypass Lever	1	78	T1A646036180	Brake Return Spring	1
14	T19216829570	Ring 10	1	79	T1A646036200	Brake Actuator	1
15	T1C655036300	Sealing Cap 30	1	80	T22351050032	Pin 5 * 32	1
16	T22252000350	Snap Ring C 35	1	82	T22351040016	Spring Pin 4 * 16	1
21	T26476080552	Tapping Screw 8 * 55	1	83	T1A646025300	Spline Collar	1
22	T26476080302	Tapping Screw 8 * 30	1	84	89024	Pulley	1
23	T1A646024480	Tank Support	1	85	T1A646083050	Fan, White	1
24	T1A646024910	Center Case K	1	86	T1A646083060	Wave Washer	1
25	T19216824760	Pin 3 * 9.8	1	87	T19215489090	Snap Ring	1
26	T19216324950	Filter	1	89	T1A646024302	Upper Case Kit	1
27	T26106100752	Bolt 10 * 75	1	90	T22351030020	Pin 3.0a * 20	1
28	T1A646024800	Ids Valve	1	95	T22351030016	Spring Pin 3.0a * 16	1
29	T1A646024761	Ids Spring	1	100	T26106080122	Drain Bolt 8 * 12	1
30	T1A646024790	Ids Filter 300	1	199	T1A646088150	Bearing	1
31	T19216825111	Cylinder Block Kit	1	200	T1A646099140	K46 Seal Kit (All Models)	1
32	T1A646025200	Spring	1	201	T46005	Repair Kit	1
33	T1A646025251	Pump Shaft	1				
34	T19215485310	E-Ring 15	1				
35	T24101062020	Bearing 6202c3	1				
36	T19216824210	Motor Housing	1				
37	T19216324240	Thrust Bearing 51106	1				
38	T19216825210	Cylinder Block Kit	1				
39	T19216825230	Washer 12 * 24 * 1	1				
40	T1A646025271	Motor Shaft	1				
41	T19215425310	Snap Ring S15	1				
42	T1A646085400	Motor Gear 12t	1				
43	T24102062020	Bearing 6202 Duc3	1				
44	T19216327060	Thrust Metal	1				
45	T1A646024700	Swash Plate	1				
49	T1A646029911	Control Shaft	1				
50	T1A646029920	Fulcrum	1				
51	T1A646029800	Torsion Spring, Standard	1				
52	T1A646029900	Control Arm E	1				
53	T1A646029851	Control Lever C	1				
54	T1A646029350	Jerky Plate	1				
55	T22137120000	Washer 12	1				
56	T1A646029940	Cotter Pin 1/8" * 3/4"	1				
57	T22351060036	Spring Pin 6 * 36	1				
58	T22351060040	Roll Pin 6 * 40	1				
60	T26776120002	Nut 12	1				
61	T1A646031510	Differential Gear Kit	1				
62	T1A646033520	Final Gear (54t)	1				
63	T1A646033250	Final Pinion Collar	1				
64	T1A646033410	Reduction Shaft	1				
65	T19216833420	Washer 12 * 32 * 3.2	1				
66	T1A646083450	Reduction Gear 31t	1				

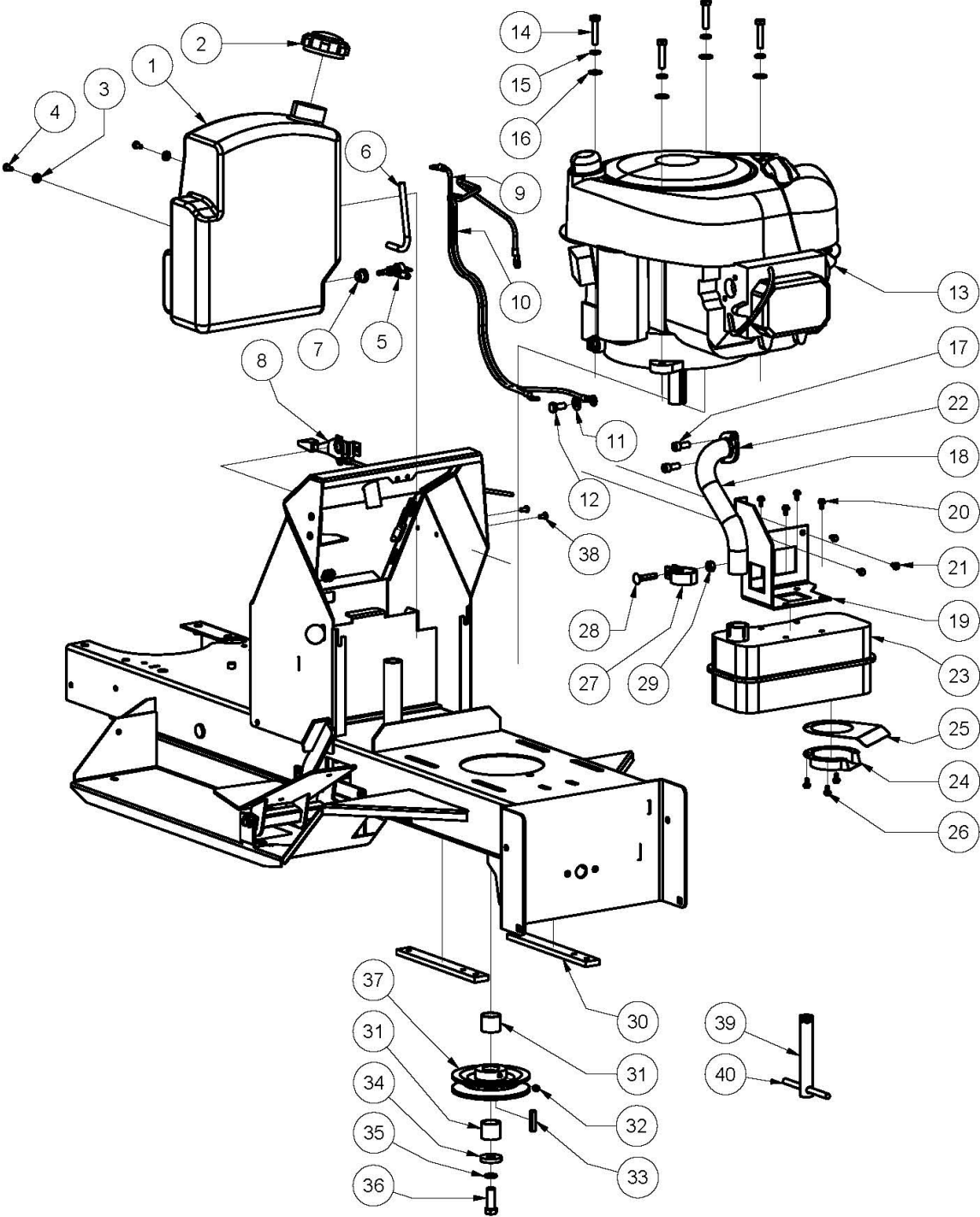
Model 8900: DRIVE PTO COMPONENTS



MODEL 8900: DRIVE PTO COMPONENTS

ITEM	PART NUMBER	DESCRIPTION	QTY
1	NM10NT	Nut	4
2	89022	Brace, Upper, Drive	1
3	SH1030M	Screw	5
4	WS071006	Washer, Lock, Spring	1
5	13107	Washer	1
6	BB205215N	Bearing	2
7	AM021	Sleeve, Spacer, Bearing	1
8	AM242	Bearing Housing	1
9	W204303	Washer, Flat	1
10	89024	Pulley, Drive	1
11	89027	Spindle, Drive Pulley	1
12	AM271	Key	1
13	89026	Cushion, Drive	1
14	89025	Spline Drive	1
15	89048	Washer, Flat	1
16	89092	Belt Guide, Drive Pulley	1

Model 8900:- Engine Ancillary Components



Model 8900:- Engine Ancillary Components

ITEM	PART NO	DESCRIPTION	QTY
1	80003J04	Fuel Tank	1
2	CF01	Cap, Fuel	1
3	WS030820	Washer Flat	2
4	NM5N	Nut	2
5	AM293	Petrol Tap	1
6	14107	Fuel Line	1
7	AM294	Grommet	1
8	13101	Control, Throttle	1
9	AM265	Battery Lead Red	1
10	15235	Battery Lead Black	1
11	W051218	Washer, Flat	4
12	SH0512C	Screw	1
13		Engine	1
14	B0524C	Bolt	4
15	WS050216	Washer, Lock, Spring	4
16	W051218	Washer, Flat	4
17	CHSS0512C	Screw	2
18	80006	Exhaust Pipe	1
19	80007	Muffler Bracket	1
20		Screw, Hex Wash, Taptite 2,1/4" x 3/8"	4
21		Screw, Hex Wash, Taptite 2,1/4" x 5/8"	3
22		Exhaust Gasket B&S	1
23		Muffler, Exhaust, B&S	1
24		Deflector, Muffler,B&S	1
25	80025	Deflector, Exhaust	1
26	ST0806	Screw	3
27	15184	Clamp, Muffler, B&S 222573	1
28	15186	Bolt B&S 93877	1
29	15185	Nut B&S 93203	1
30	AM078BO	Engine Mount Bolt Plate	2
31	89060	Engine Pulley Spacer	2
32	GS0505C	Screw	1
33	AM175	Key, Engine Pulley	1
34	W072004	Washer, Flat	1
35	WS071006	Washer, Lock, Spring	1
36	SH0720F	Bolt	1
37	AM234	Engine Pulley	1
38	PR0306	Rivet	4
39	AM295	Spanner, Tube, Spark	1
40	AM007	Bar, Tommy	1

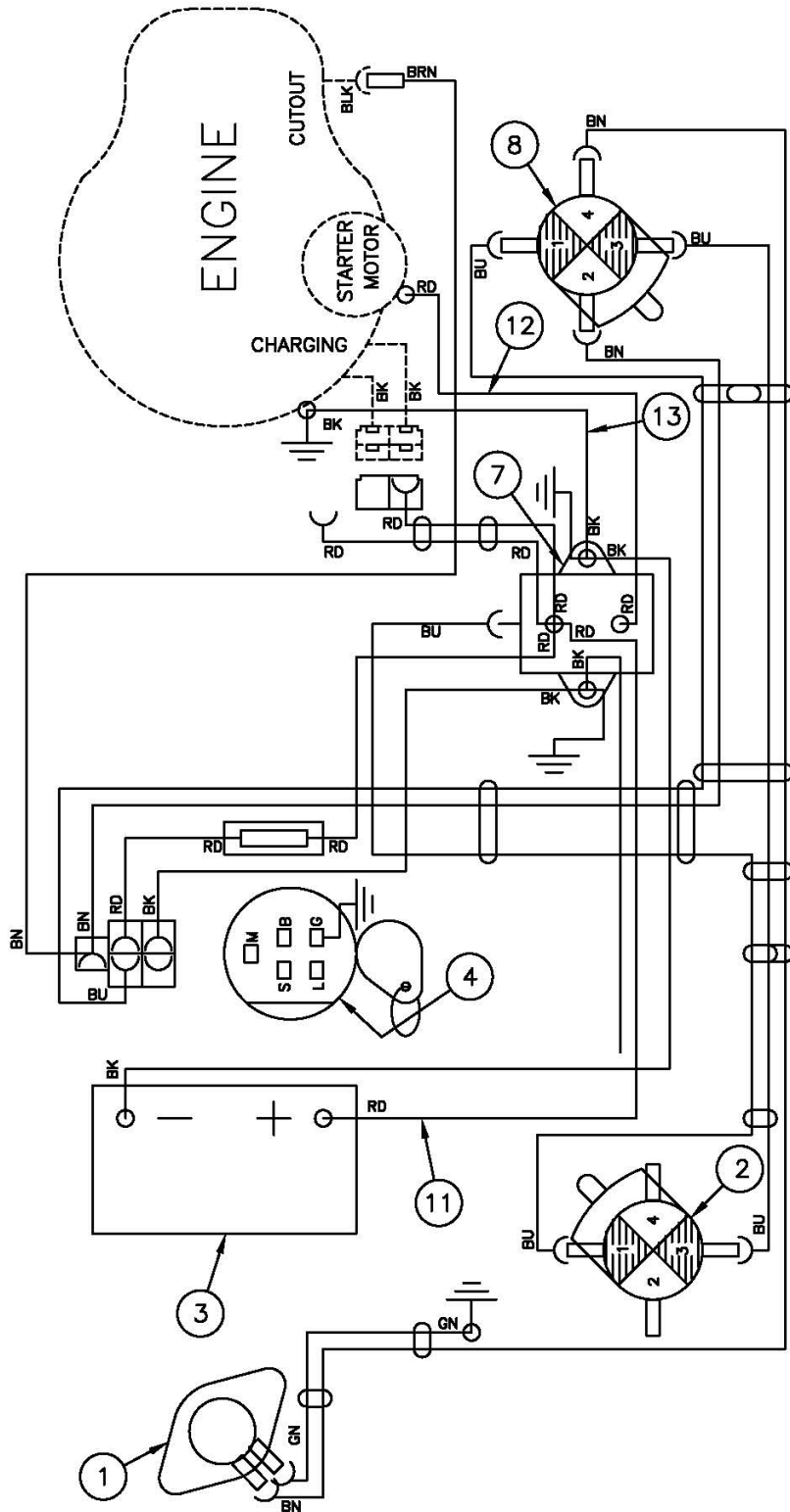
Model 8900:- ELECTRICAL COMPONENTS SCHEMATIC

CABLE COLOURS	
CODE	COLOUR
BK	BLACK
BU	BLUE
BN	BROWN
GN	GREEN
OG	ORANGE
PL	PURPLE
RD	RED

CUTTER SWITCH				
POSITION	1	2	3	4
ENGAGED		→	→	→
DISENGAGED	→			

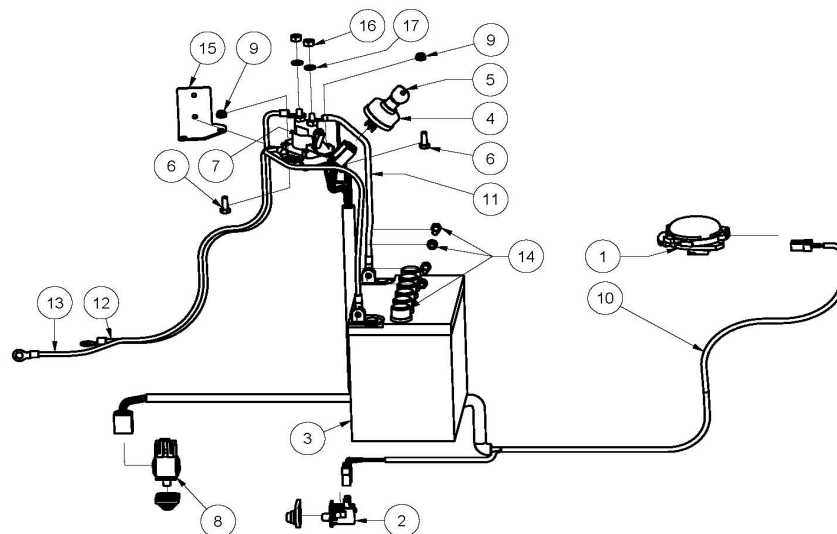
PARKING BRAKE				
POSITION	1	2	3	4
DEPRESSED	→	→		
RAISED			→	→

IGNITION SWITCH					
POSITION	M	B	G	L	S
OFF	→				
RUN		→			
START			→		

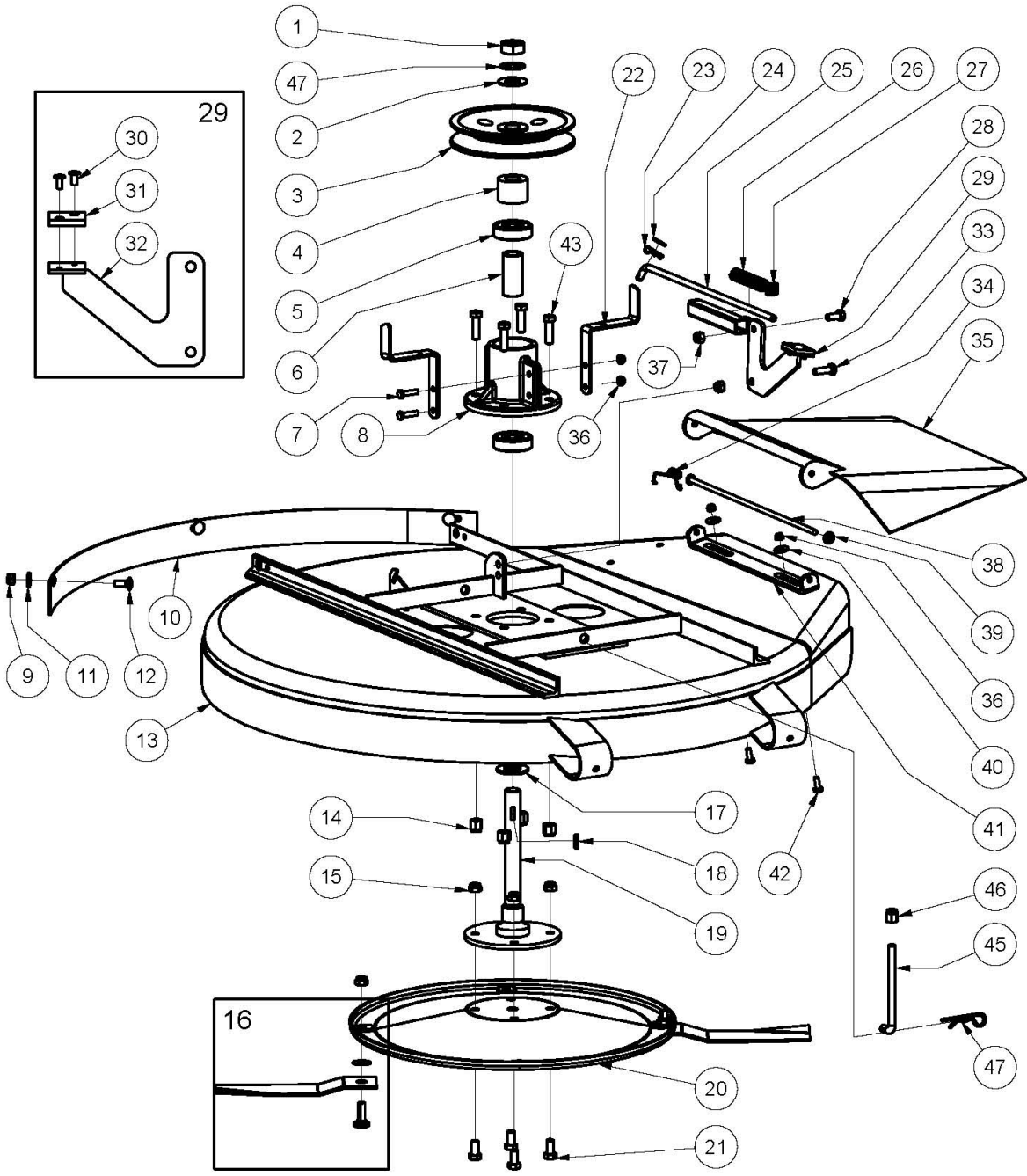


Model 8900:- ELECTRICAL COMPONENTS SCHEMATIC

ITEM	PART NO	DESCRIPTION	QTY
1	SSL	Seat Switch	1
2	SKIT132	Park Brake Switch incl Cover	1
3	AM109	Battery	1
	AM109CAP	Battery Caps	1set
4	AM014	Ignition Switch	1
5	AM015	Ignition Key	1pr
6	SH0616M	Solenoid Mounting Bolt	2
7	AM159	Solenoid	1
8	SKIT133	Disengaging Switch	1
9	NM6NT	Solenoid Mounting Bolt Nut	2
10	89081	Wiring Harness	1
11	89082	Battery To Solenoid (Red) Lead	1
12	AM265	Solenoid To Starter Motor (Red)	1
13	15235	Chassis To Engine & Battery Lead (Black)	1
14	SH0616M	Battery Terminal Bolt	2
	NM6NT	Battery Terminal Bolt Nut	2
	SAM160	Fuse Holder	1
	CABLETIES	Cable Tie	5
15	89065	Solenoid Bracket	1
16	N04C	Nut	2
17	W040816	Washer, Flat	2



Model 8900:- CUTTER ATTACHMENT & COMPONENTS

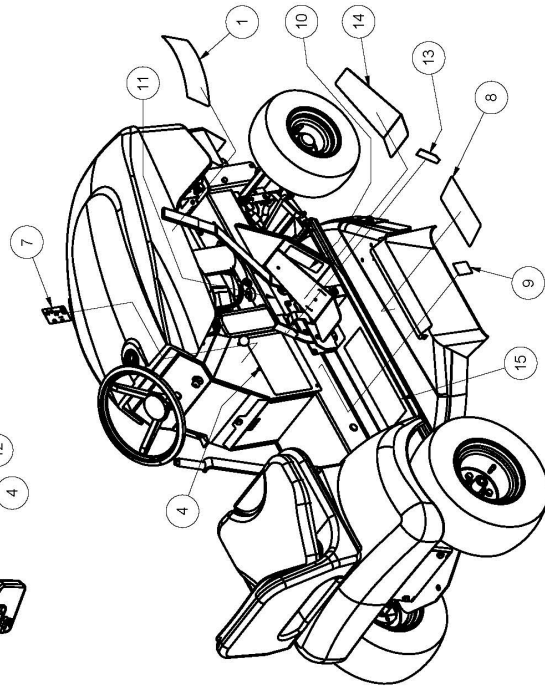
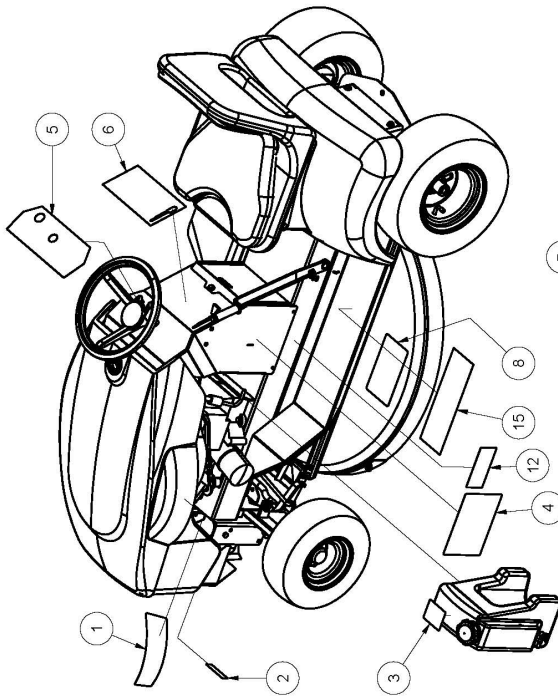


Model 8900:- CUTTER ATTACHMENT & COMPONENTS

ITEM	PART NO	DESCRIPTION	QTY
1	NHM20X1.5T	Nut	1
2	W203902	Washer, Flat	1
3	AM030	Cutter, Head, Pulley	1
4	89016B	Spacer, Cutter Spindle	1
5	BB205215N	Bearing	2
6	AM029	Sleeve, Spacer, Bearing	1
7	B0625M	Bolt	2
8	AM027	Cutter, Bearing, Housing	1
9	NM8NT	Nut	3
10	89063	Deflector, Front, Cutter	1
11	W061216	Washer, Flat	3
12	BCHSNM8X20	Bolt	3
13	89056	32" Cutter Deck Housing	1
14	NF06CN	Nut	4
15	N06CN	Nut	4
16	SKIT54	Blade, Bolt, Nut, Washer Set 32" Stepped Low Lift	1
	SKIT55	Blade, Bolt, Nut, Washer Set 32" Stepped High Lift	
	SKIT01D1	Bolt, Nut, Washer Set	
	SMB198SHD	Blade Set Stepped Low Lift	
	SMB198AHD	Blade Set Stepped High Lift	
17	13128	Washer	1
18	SK09	Key	1
19	89014	Spindle, Cutter	1
20	AM07604A	Disc, Cutter	1
21	SH0612C	Screw	4
22	89019	Cutter Bearing Housing Belt Guide	2
23	RP01	Pin, "R"	1
24	W051218	Washer, Flat	1
25	251301	Rod, Adj, Cutter Brake	1
26	AM035	Spring, Compression, Cutter Brake	1
27	NS05C	Square Nut	1
28	SH0512C	Screw	1
29	KIT166	Cutter Brake C/w Pad	1
30	PR0205	Rivet	2
31	AM033I95	Cutter Brake Pad	1
32	89058	Arm, Cutter Brake	1
33	SH0516C	Screw	1
34	AM272	Spring, Torsion, Deflector	1
35	89072	Deflector	1
36	NM6NT	Nut	4
37	N05CN	Nut	2
38	AM273	Deflector Pivot Rod	1
39	AM274	Fastener, Push-on	1
40	W041216	Washer, Flat	2
41	AM052E1	Deflector Bracket	1
42	SH0616M	Screw	2
43	B0620C	Bolt	4
44	WM20S	Washer, Shake Proof	1
45	AM185BO	Cutter Lifting Link	1
46	NF06CN	Nut	1
47	RP02	Pin 'R'	1

Model 8900:- DECALS

ITEM	PART NO	DESCRIPTION	QTY
1	DEC171	Decal, Lawn Boss Bonnet	2
2	DEC135	Decal, Caution, Hot Muffler	1
3	DEC085	Decal, Warning, Gasoline	1
4	DEC172	Decal, Lawn Boss, 13HP	2
5	DEC169	Decal, Lawn Boss, Console Top	1
6	DEC170	Decal, Lawn Boss, Console Lower	1
7	DEC173	Decal, Park Brake, Lawn Boss	1
8	DEC116	Decal, Danger, Mowing Attachment	2
9	DEC124	DECAL, BRAKE	1
10	DEC136	Decal, Drive Pedal	1
11	DEC125	Decal, Cutter Disengage	1
12	DEC127	Decal, Mount This Side Only	1
13	89067	Pad, Non-Skid, Brake Pedal	1
14	89066	Pad, Non-Skid, Drive Pedal	1
15	13094	Pad, Non-Skid, Running Board	2



COX INDUSTRIES WARRANTY POLICY

NEW MOWER:

COX INDUSTRIES warrants in respect of each new ride-on mower sold, that for a period of one (1) year (Domestic use**) or six (6) months Commercial/Contractors/Hire use***) to the original purchaser from the date of purchase, COX INDUSTRIES or an authorised dealer will repair or replace free of charge any ride-on mower parts found to be defective in materials or workmanship under normal use and operating conditions provided that:

1. The mower has been properly and reasonably used, operated, maintained and regularly serviced as per the maintenance schedule during the warranty period.

2. The replacement or repair is performed by an authorised COX INDUSTRIES Dealer.

** "Domestic/Consumer use" means the personal residential household (property use by the original retail purchaser.

*** "Commercial use" means all other uses, including income producing, rental, schools, government departments and charity operators.

PARTS INSTALLED DURING NEW MOWER WARRANTY PERIOD:

Warranty coverage for parts installed during new mower warranty period shall consist of the remainder of the new mower warranty period or ninety (90) days, whichever ever is greater, provided the installation is performed by an authorised COX INDUSTRIES Dealer.

ENGINE & TRANSAXLE:

The engine or transaxle in a new Mower is covered by the manufacturer of that specific engine or transaxle, not by COX INDUSTRIES. Refer to the engine owners manual for engine details.

BATTERY:

The battery in a new mower is covered for a period of twelve (12) months by the battery supplier and/or COX INDUSTRIES to the original purchaser from the date of purchase.

WARRANTY SERVICE :

In the event of a need for warranty service contact your local authorised COX INDUSTRIES Dealer.

Date of purchase of machine must be given before warranty claim will be accepted for processing.

WARRANTY REGISTRATION:

The warranty registration card must be completed by the dealer with the customer at the time of purchase and returned to COX INDUSTRIES or an authorised Dealer within 14 days.

WARRANTY EXCLUSIONS:

1) The rental of another machine or related equipment while unit repairs are in progress.

2) Telephone, facsimile expenses or other related communication expenses.

3) Transportation and Insurance charges during transportation of failed unit or any part thereof.

4) The labour, parts, mechanical adjustments or lubricant costs which, in the judgement of COX INDUSTRIES or their authorised dealer, are made or should be made as standard maintenance according to the COX-INDUSTRIES maintenance schedule.

5) The replacement of normal maintenance parts such as (mower discs, blades, bolts and nuts, vee belts and bearings) made in connection with normal maintenance services as opposed to manufacturing defects.

6) Any defect caused by alteration, modification, fitment of a non-genuine part or attachment not approved by COX INDUSTRIES.

7) Any defect caused by misuse, negligence, accidents or failure to carry out proper maintenance procedures.

8) Any defect caused by work carried out by other than an authorised dealer.

9) Damage caused by continued operation of the machine after it is known to be defective.

10) Damage caused by racing and similar activities or by overloading.

All implied warranties (save those preserved by statute) are excluded. Liability for consequential damages under any and all warranties are excluded to the extent exclusion is permitted by law.

To the extent that it is not prevented from doing so from statute, the manufacturer will not accept liability for costs of labour, postage, cartage or delivery to replace faulty materials or parts; or for any loss, damage or accident directly, indirectly, or consequently suffered by the purchaser, operator or any other person or property as a result of such faults whether due to defective materials or workmanship or otherwise

The careless or improper use of a machine of this type can be dangerous. The manufacturer or selling agent does not accept responsibility for accident either to the operator, to the owner or to any person directly or indirectly or to property if such accident is caused by circumstances arising other than by the negligence or default of COX INDUSTRIES.

Due to COX Industries on-going commitment to product improvement, we reserve the right to change at any time, product specifications, configurations and company policies.



Cox Industries (Australia) Pty Ltd

**70 Landseer Street
Acacia Ridge Qld 4110
P.O. Box 6266DC Acacia Ridge Q 4110
Australia
PH 07 3323 2222 FAX 07 3344 6233**

Web Site Address: www.coxmowers.com.au

Email: sales@cox-mowers.com.au