



12.5HP, 14HP & 15HP
1993 - 1994
25I3 – 25E94 – 25K94

12HP
1994 -1995
25H94

12.5HP 15HP & 16HP
1995 -1996
25C95 – 25K95

13HP & 16HP
1996-1998
25K96

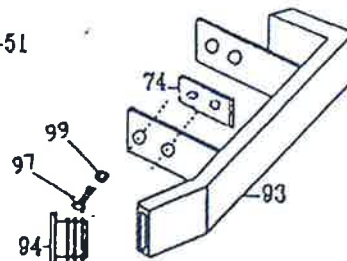
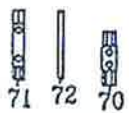
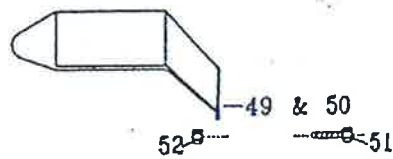
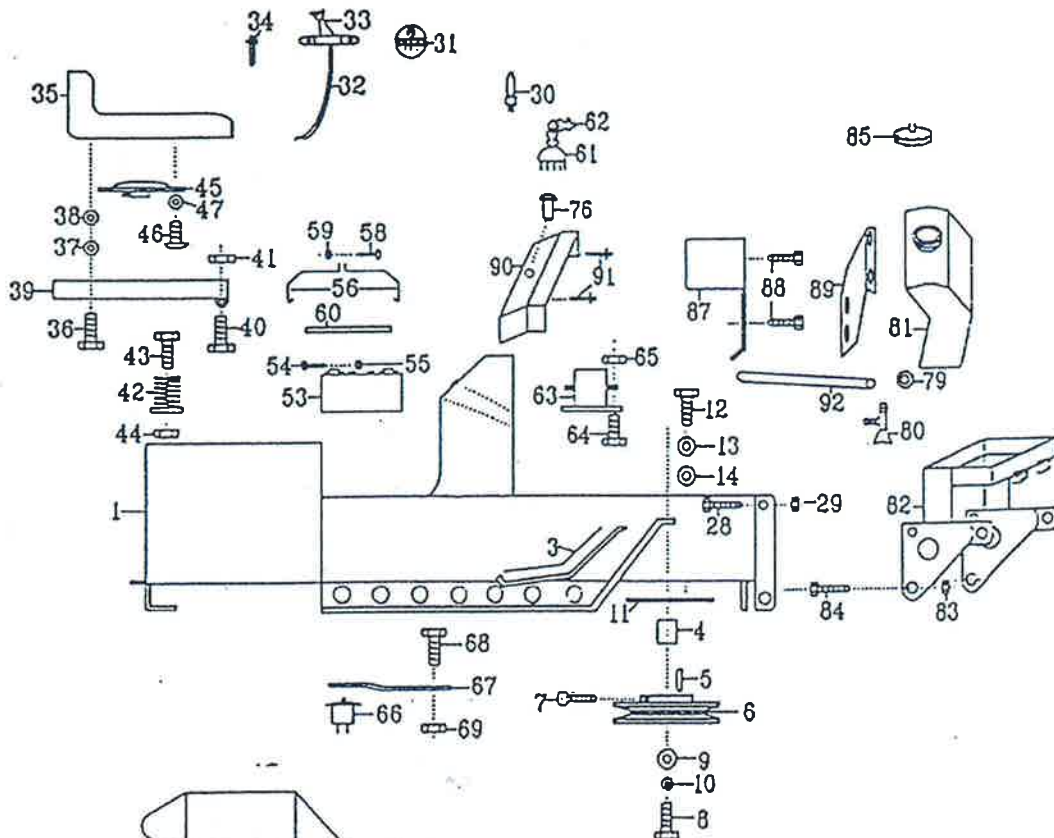
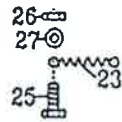
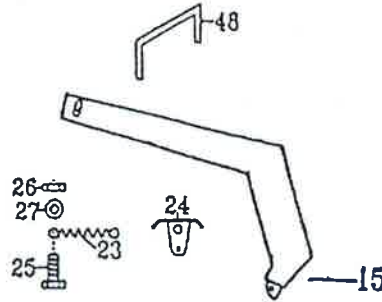
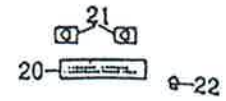
STOCKMAN 25I3-25E94-25K94 GROUP 11: CHASSIS & COMPONENTS

STOCKMAN 12.5
DECAL SET
COMPLETE

2

STOCKMAN 14HP
DECAL SET
COMPLETE

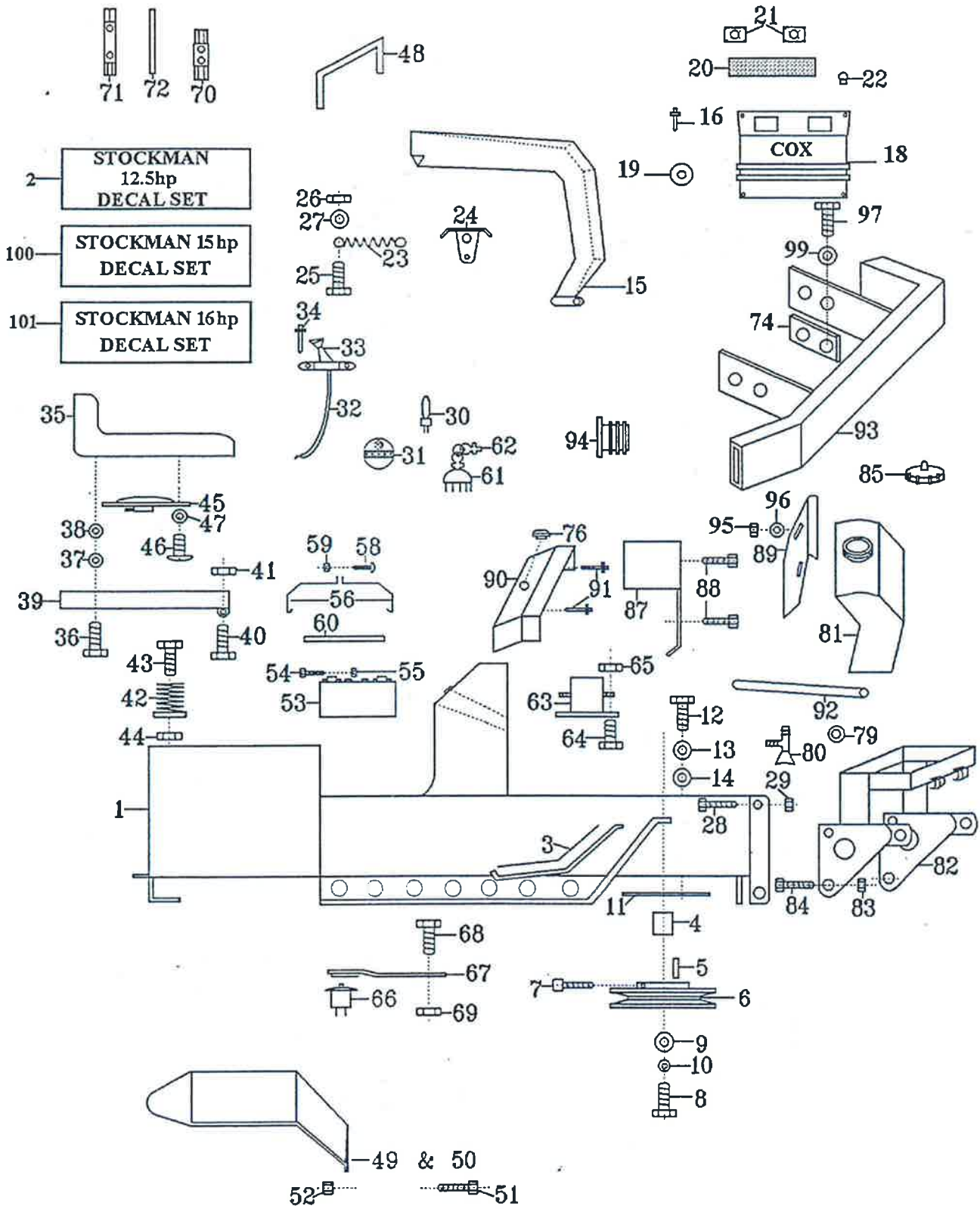
100



STOCKMAN 25I3-25E94-25K94 GROUP 11: CHASIS & COMPONENTS

Ref No.	Part No.	Description	Ref. No.	Part No.	Description
1	251101C96	Chassis NLA	50	AM303	Mudguard RH
2	DEC25K912.5	S/man 12.5HP Decal Set NLA	51	SH0412C	Mudguard Ret. Bolt (4)
3	NSM01	Non-Skid Material Clutch Pedal	52	N04CN	Mudguard Ret. Bolt Nut (4)
4	AM233	Engine Pulley Spacer	53		Battery PURCHASE LOCALLY
5	AM175	Engine Pulley Key	54	SH0412C	Terminal Bolt (2)
6	AM23405C	Engine Pulley NLA USE KIT204	55	N04C	Terminal Bolt Nut (2)
7	GS0505C	Engine Pulley Key Screw	56	AM300	Battery Clamp (2)
8	SH0720F	Engine Pulley Retaining Bolt	58	SR0420C	Battery Clamp Screw
9	W072004	Eng. Pulley Ret. Bolt Washer	59	N04C	Clamp Screw Nut
10	W07S	Ret. Bolt Shakeproof Washer	60	AM098M8	Battery Cover
11	AM078B0	Eng Mtg. Bolt Plate (2) 12.5HP	61	AM014	Ignition Switch
**	AM078B0	Eng Mtg. Bolt Plate		B&S493625	Ignition Switch 15HP
**	251114	Eng Mtg Bolt Plate (2) 14HP Pro	62	AM015	Ignition Switch Key
12	B0524C	Engine Mounting Bolt (4)	63	AM159	Solenoid
**	B0620TFS	Eng Mting Bolt (4) 14HP NLA	64	SH0412C	Solenoid Mounting Bolt (2)
	B0624C	Eng Mounting Bolt (4) 15HP	65	N04CN	Solenoid Mtg. Bolt Nut (2)
13	WS050216	Eng Mtg. Bolt Spring Washer (4)	66	AM092	Micro Switch NLA
**	W06S	Eng Mtg Bolt S/P Washer (4)	67	AM100R2	Foot Micro Spring Plate NLA
14	W051216	Engine Mtg. Bolt Washer (4)	68	SH0408C	Spring Plate Bolt
**	W061216	Engine Mtg. Bolt Washer (4)	69	N04CN	Spring Plate Bolt Nut
15	AM235H3B	Bonnet NLA	70	AM005G0	Spark Plug Spanner
16	PR0207	Bonnet Grill Rivet (4)	**	AM295	Spark Plug Spanner
18	AM224F3	Bonnet Grill	**	AM296	Spark Plug Tommy Bar
19	W020516	Bonnet Grill Rivet Washer (4)	71	AM006C1	Tube Spanner
20	AM222	Head Light Lens	72	AM007	Tommy Bar
	ST0610	Lens Ret. Screw (2)	74 **	AM278F3	Inner Plate (2)
21	AM221	Head Light Reflector NLA	76	AM289	Oil Pressure Light 14HP
22	AM228	Lamp (2)		091130	Dash Plug
23	AM180	Bonnet Spring (2)	77	AM291	Oil Drain Pipe 14HP
24	AM181	Bonnet Strap (2)	78	AM292	Oil Drain Nipple 14HP
25	SH0408C	Bonnet Spring Bolt (2)	79 **	AM294	Fuel Tank Grommet
26	N04CN	Bonnet Spring Nut (2)	80 **	AM293	Petrol Tap
27	W040816	Bonnet Spring Washer (2)	81 **	251105F3	Fuel Tank
28	SH0412C	Bonnet Hinge Bolt (2)	82 **	251106H95	Fuel Tank Bracket
29	N04CN	Bonnet Hinge Bolt Nut (2)	83 **	N06CN	Fuel Tank Brkt Nut Lower (2)
30	AM229	Light Switch	84 **	SH0616C	Fuel Tank Brkt Bolt Lower (2)
31	AM211	Hourmeter	85 **	CF01	Petrol Cap
32	KIT51S2	Throttle Cable	87 **	S251111	Muffler Heat Shield
33	AM088	Throttle Lever	88 **	B0408TFS	Muffler Heat Shield Bolt (2)
34	PR0306	Throttle Lever Rivet (2)	89 **	251110F3	Fuel Tank Heat Shield
35	AM164	Seat NLA	90 **	251112	Bonnet Extension NLA
36	SH0512C	Seat Retaining Bolt (4)	91 **	PR0306	Bonnet Extension Rivet (5)
37	W05S	Seat Ret. S/P Washer (4)	92 **	S251113	Fuel Line NLA
38	W052003	Seat Ret. Bolt Washer (4)	93 **	251107B	Bumper Bar NLA
39	AM226B99F	Seat Mount	94 **	AM277	End Cap (2)
40	SH0516C	Seat Mount Hinge Bolt (2)	95 **	N05CN	Fuel Tank Heat Shield Nut (2)
41	N05CN	Hinge Bolt Nut (2)	96 **	W051216	Heat Shield Ret. Washer (2)
42	AM177	Seat Spring (2)	97 **	SH0616C	Inner Bolt Plate Bolt (4)
43	SH0612C	Seat Spring Ret. Bolt (2)	98 **	W061216	Inner Bolt Plate Washer (4)
44	N06CN	Ret. Bolt Nut (2)	99 **	W06S	Inner Bolt S/P Washer (4)
45	AM165	Seat Micro Switch NLA	100 **	SDEC25I314.0	Stockman 14HP Decal Set NLA
46	SR0408W	Seat Micro Attach Bolt (2)		SDEC25I315.0	S/man 15HP Decal Set NLA
47	W04S	Seat Micro Att. Washer (2)			
48	AM179	Bonnet Trim	**	DENOTES	14HP and/or 15HP
49	AM302	Mudguard LH NLA			

STOCKMAN 25C95 25K95 25K96 GROUP 11: CHASSIS & COMPONENTS



STOCKMAN 25C95 25K95 25K96 GROUP 11: CHASSIS & COMPONENTS

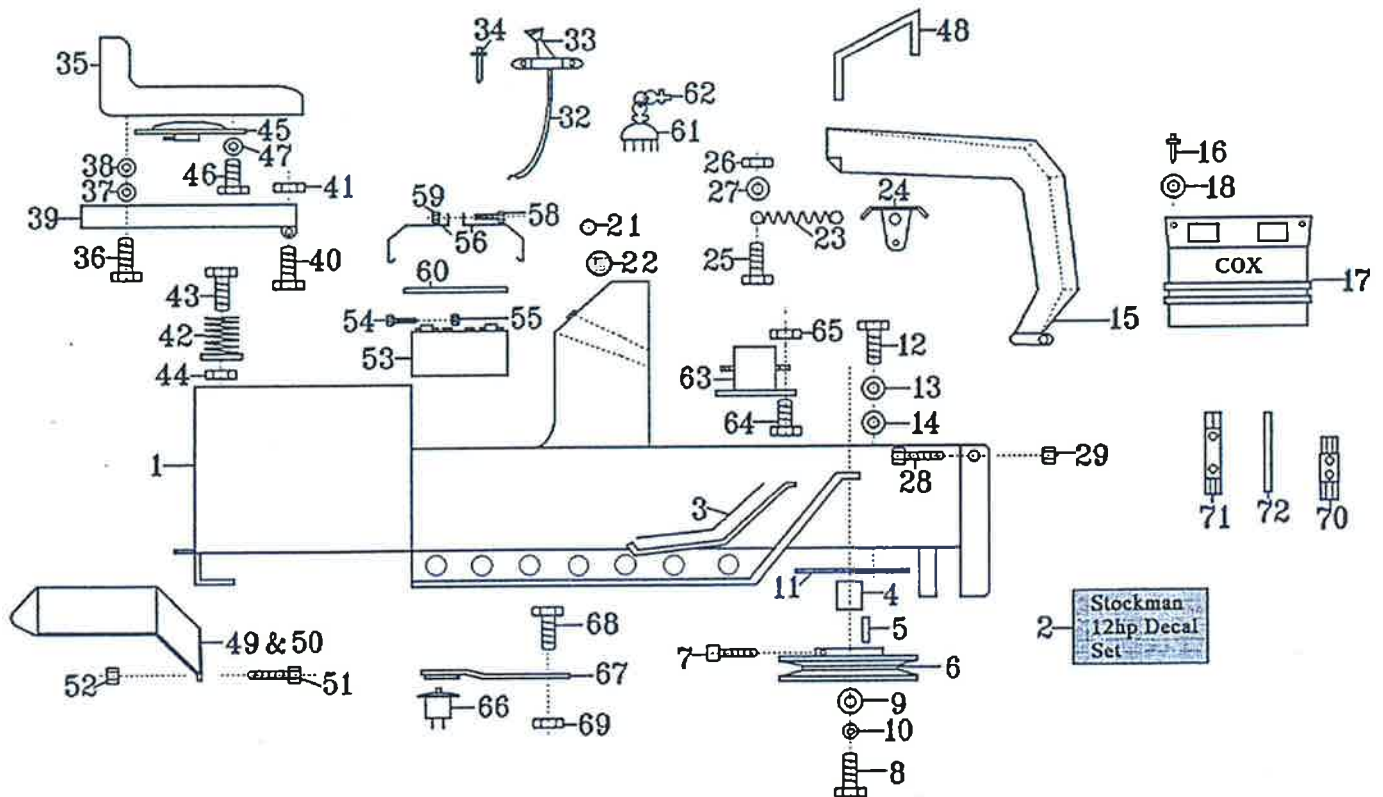
Ref.	Part No	Description	Ref.	Part No	Description
1	251101C96	Chassis NLA	47	W04S	Seat Micro Attach Washer (2)
3	NSM01	Non-Skid Material Clutch Pedal		AM096	Earth Wire Clip
4	AM233	Engine Pulley Spacer		PR0306	Earth Wire Clip Pop Rivet
5	AM175	Engine Pulley Key	48	AM179	Bonnet Trim
6	AM23405C	Engine Pulley NLA USE KIT204	49	AM302	Mudguard LH NLA
7	GS0505C	Engine Pulley Key Screw	50	AM303	Mudguard RH
8	SH0720F	Engine Pulley Retaining Bolt	51	SH0412C	Mudguard Ret. Bolt (4)
9	W072004	Eng Pulley Ret. Bolt Washer	52	N04CN	Mudguard Ret. Bolt Nut (4)
10	W07S	Ret. Bolt Shakeproof Washer	53		Battery PURCHASE LOCALLY
11	AM078B0	Eng Mounting Bolt Plate (2)	54	SH0412C	Terminal Bolt (2)
*	AM078B0	Engine Mounting Bolt Plate	55	N04C	Terminal Bolt Nut (2)
*	251114	Engine Mounting Bolt Plate	56	AM300	Battery Clamp (2)
**	251114	Eng Mounting Bolt Plate (2)	58	SR0420C	Battery Clamp Screw
12	B0524C	Engine Mounting Bolt (4)	59	N04C	Clamp Screw Nut
*	B0624C	Engine Mounting Bolt (2)	60	AM098M8	Battery Cover
**	B0624C	Engine Mounting Bolt (4)	61	AM014	Ignition Switch
13	W05S	Eng Mtg Bolt S/P Washer (4)	62	AM015	Ignition Switch Key (2)
*	W06S	Eng Mtg Bolt S/P Washer (4)	63	AM159	Solenoid
14	W051216	Engine Mting Bolt Washer (4)	64	SH0412C	Solenoid Mounting Bolt (2)
*	W061216	Engine Mting Bolt Washer (4)	65	N04CN	Solenoid Mounting Bolt Nut (2)
15	AM235H3B	Bonnet NLA	66	AM092	Micro Switch NLA
16	PR0207	Bonnet Grill Rivet (4)	67	AM100R2	Foot Micro Spring Plate NLA
	AM096	Bonnet "P" Clip	68	SH0408C	Spring Plate Bolt
	PR0306	Bonnet "P" Clip Pop Rivet	69	N04CN	Spring Plate Bolt Nut
	W030820	Bonnet "P" Clip P/Rivet Washer	70	AM005G0	Spark Plug Spanner
18	AM224F3	Bonnet Grill	*	AM295	Spark Plug Spanner
19	W020516	Bonnet Grill Rivet Washer	*	AM296	Spark Plug Tommy Bar
20	AM222	Head Light Lens	71	AM006C1	Tube Spanner
	ST0610	Lens Ret. Screw (2)	72	AM007	Tommy Bar
21	AM221	Head Light Reflector NLA	74*	AM278F3	Inner Plate (2)
	AM227	Head Light Lamp Holders (2)	76	091130	Dash Plug
22	AM228	Lamp (2)	79*	AM294	Fuel Tank Grommet
23	AM180	Bonnet Spring (2)	80*	AM293	Petrol Tap
24	AM181	Bonnet Strap (2)	81*	251105F3	Fuel Tank
25	SH0412C	Bonnet Spring Bolt (2)	82*	251106H95	Fuel Tank Bracket
26	N04CN	Bonnet Spring Nut (2)	83*	N06CN	Fuel Tank Brkt Nut Lower (2)
27	W040816	Bonnet Spring Washer (2)	84*	SH0616C	Fuel Tank Brkt Bolt Lower (2)
28	SH0412C	Bonnet Hinge Bolt (2)		N04CN	Fuel Tank Brkt Nut Upper (2)
29	N04CN	Bonnet Hinge Bolt Nut (2)		SH0412C	Fuel Tank Brkt Bolt Upper (2)
30	AM229	Light Switch	85*	CF01	Petrol Cap
31	AM211	Hourmeter	87*	251115	Muffler Heat Shield
32	KIT51S2	Throttle Cable c/w Lever	88*	B0408TFS	Muffler Heat Shield Bolt (2)
33	AM088	Throttle Lever	89*	251110F3	Fuel Tank Heat Shield
34	PR0306	Throttle Lever Rivet (2)	90*	251112	Bonnet Extension NLA
35	AM164	Seat NLA	91*	PR0306	Bonnet Extension Rivet (5)
36	SH0512C	Seat Retaining Bolt (4)	92*	251116	Fuel Line NLA
37	W05S	Seat Ret. Bolt S/P Washer (4)	93*	251107B	Bumper Bar NLA
38	W052003	Seat Ret. Bolt Washer (4)	94*	AM277	End Cap (2)
39	AM226B99F	Seat Mount	95*	N05CN	Fuel Tank Heat Shield Nut (2)
40	SH0516C	Seat Mount Hinge Bolt (2)	96*	W051216	Heat Shield Ret. Washer (2)
41	N05CN	Hinge Bolt Nut (2)	97*	SH0616C	Inner Bolt Plate Bolt (4)
42	AM177	Seat Spring (2)	99*	W06S	Inner Bolt Plate S/P Washer 4)
43	SH0612C	Seat Spring Ret. Bolt (2)	100*	DEC25I315.0	Stockman 15HP Decal Set NLA
44	N06CN	Ret. Bolt Nut (2)	101*	DEC25K9516.0	Stockman 16HP Decal Set NLA
45	AM165	Seat Micro Switch NLA	102	DEC25K9513.0	Stockman 13HP Decal Set NLA
46	SR0408W	Seat Micro Attach Bolt (2)			

* Denotes 15HP & 16HP Stockman Only

** Denotes 15HP Tecumseh Only

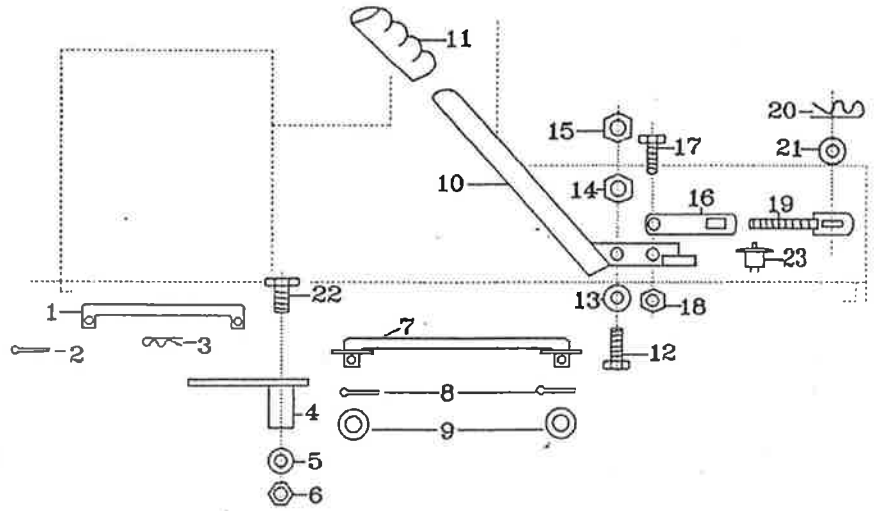
STOCKMAN 25H94 GROUP 11: CHASSIS & COMPONENTS

Ref No.	Part No.	Description	Ref No.	Part No.	Description
1	251101C96	Chassis NLA	39	AM226B99F	Seat Mount
2	SDEC09I312-0	Stockman 12HP Decal Set NLA	40	SH0516C	Seat Mount Hinge Bolt (2)
3	NSM01	Non-Skid Material-Clutch Pedal	41	N05CN	Hinge Bolt Nut (2)
4	AM233	Engine Pulley Spacer	42	AM177	Seat Spring (2)
5	AM175	Engine Pulley Key	43	SH0612C	Seat Spring Ret. Bolt (2)
6	AM23405C	Engine Pulley NLA USE KIT204	44	N06CN	Ret. Bolt Nut (2)
7	GS0505C	Engine Pulley Key Screw	45	AM165	Seat Micro Switch NLA
8	SH0720F	Engine Pulley Retaining Bolt	46	SR0408W	Seat Micro Attach Bolt (2)
9	W072004	Pulley Ret. Bolt Washer	47	W04S	Seat Micro Attach Washer (2)
10	W07S	Ret. Bolt Shakeproof Washer	48	AM179	Bonnet Trim
11	AM078B0	Engine Mtg Bolt Plate (2)	49	AM302	Mudguard LH NLA
12	B0524C	Engine Mounting Bolt (4)	50	AM303	Mudguard RH
13	WS050216	Eng. Mtg. Spring Washer (4)	51	SH0412C	Mudguard Ret. Bolt (4)
14	W051216	Engine Mtg. Bolt Washer (4)	52	N04CN	Mudguard Ret. Bolt Nut (4)
15	AM235H3B	Bonnet NLA	53		Battery PURCHASE LOCALLY
16	PR0207	Bonnet Grill Rivet (4)	54	SH0412C	Terminal Bolt (2)
17	AM224F3NL	Bonnet Grill No Lights	55	N04C	Terminal Bolt Nut (2)
18	W020516	Bonnet Grill Rivet Washer	56	AM300	Battery Clamp (2)
21	091130	Dash Plug Small	58	SR0420C	Battery Clamp Screw
22	091131	Dash Plug Large	59	N04C	Clamp Screw Nut
23	AM180	Bonnet Spring (2)	60	AM098M8	Battery Cover
24	AM181	Bonnet Strap (2)	61	AM014	Ignition Switch
25	SH0408C	Bonnet Spring Bolt (2)	62	AM015	Ignition Switch Key (2)
26	N04CN	Bonnet Spring Nut (2)	63	AM159	Solenoid
27	W040816	Bonnet Spring Washer (2)	64	SH0412C	Solenoid Mounting Bolt (2)
28	SH0412C	Bonnet Hinge Bolt (2)	65	N04CN	Solenoid Mtg. Bolt Nut (2)
29	N04CN	Bonnet Hinge Bolt Nut (2)	66	AM092	Micro Switch NLA
32	KIT5152	Throttle Cable	67	AM100R2	Foot Micro Spring Plate NLA
33	AM088	Throttle Lever	68	SH0408C	Spring Plate Bolt
34	PR0306	Throttle Lever Rivet (2)	69	N04CN	Spring Plate Bolt Nut
35	AM164	Seat NLA	70	AM005G0	Spark Plug Spanner
36	SH0512C	Seat Retaining Bolt (4)	71	AM006C1	Tube Spanner
37	W05S	Seat Ret. S/P Washer (4)	72	AM007	Tommy Bar
38	W052003	Seat Ret. Bolt Washer (4)			



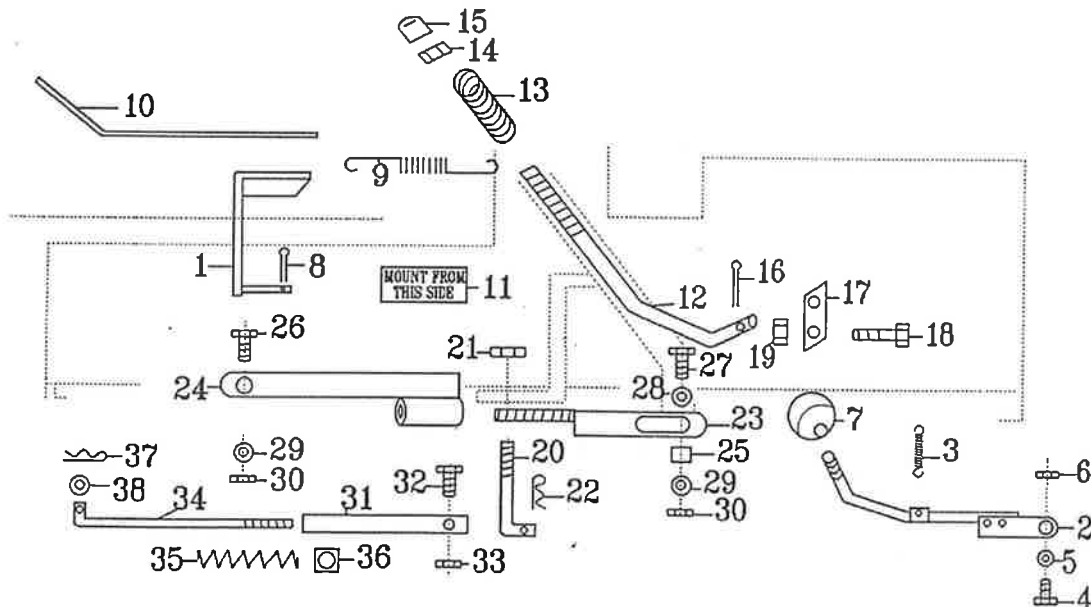
STOCKMAN GROUP 12: RIGHT HAND SIDE OF CHASSIS

Ref No.	Part No.	Description
1	AM238	Clutch Rod Short
2	CP3-220	Clutch Rod Short Split Pin
3	RP01	Clutch Rod Short 'R' Pin
4	AM182E94	Pivot Plate
5	W061216	Pivot Plate Washer
6	N06CN	Clutch Rod Pivot Plate Nut
7	251201	Clutch Rod Long
8	CP3-220	Split Pin (2)
10	AM239H0	Disengaging Handle
11	AM335	Handle Grip
12	B0624C	Diseng Handle Pivot Bolt
13	W061216	Pivot Bolt Washer (2)
14	N06C	Diseng Handle Pivot Nut
15	N06CN	Pivot Bolt Lock nut
16	AM240	Disengadjuster Bushed
17	SH0512C	Disengaging Adjuster Bolt
18	N05C	Disengaging Adj. Bolt Nut
19	AM241	Disengaging Adj. Threaded
20	RP01	Diseng Adjuster 'R' Pin
21	W051216	Diseng Adj. Washer (2)
22	B0636C	Clutch Pivot Plate Bolt
23	AM092	Disengaging Micro Switch NLA



STOCKMAN GROUP 13: LEFT HAND SIDE OF CHASSIS

Ref No.	Part No.	Description	Ref No.	Part No.	Description
1	AM285	Brake Pedal	20	AM185B0	Cutter Housing Lifting Link
2	AM284G05	Hand Park Brake	21	N06CN	Cutter Lifting Link Nut
3	AM288	Hand Brake Spring	22	RP02	Cutter Lifting Link 'R' Pin
4	SH0616C	Hand Park Brake Bolt	23	AM267	Front-Rear Conn. Rod Thred
5	W061216	Hand Park Brake Washer	24	AM268	Front-Rear Conn. Rod Bshd
6	N06CN	Hand Park Brake Nut	25	AM249	Connecting Rod Bush
7	AM290	Hand Brake Knob	26	SH0616C	Connecting Rod Bolt Front
8	CP3-220	Brake Pedal Split Pin	27	B0620C	Connecting Rod Bolt Rear
9	AM183	Brake Pedal Spring	28	W0620HD	Conn. Rod Rear Bolt Washer
10	13094	Non Skid Material-Foot Rest (2)	29	W061216	Conn. Rod Bolt Washer (2)
12	AM143M9	Height Adj. Pawl Push Rod	30	N06CN	Connecting Rod Bolt Nut (2)
13	AM012	Height Adj. Push Rod Spring	31	AM034H0	Cutter Brake Adj. Bracket
14	N04C	Hght Adj. Push Rod Lock Nut	32	SH0512C	Cutter Brake Adj. Brkt Bolt
15	AM013Q2	Height Adj. Push Rod Button	33	N05CN	Cutter Brake Adj. Brkt Nut
16	CP2-512	Hght Adj. Push Rod Split Pin	34	251301	Cutter Brake Adjusting Rod
17	AM011	Height Adjustment Pawl	35	AM035	Cutter Brake Spring
18	SH0516C	Height Adj. Pawl Pivot Bolt	36	NS05C	Cutter Brake Adj. Rod Nut
19	N05CN	Height Adj. Pivot Bolt Nut	37	RP01	Cutter Brake Adj. Rod 'R' Pin
			38	W051216	Brake Adj. Rod Washer

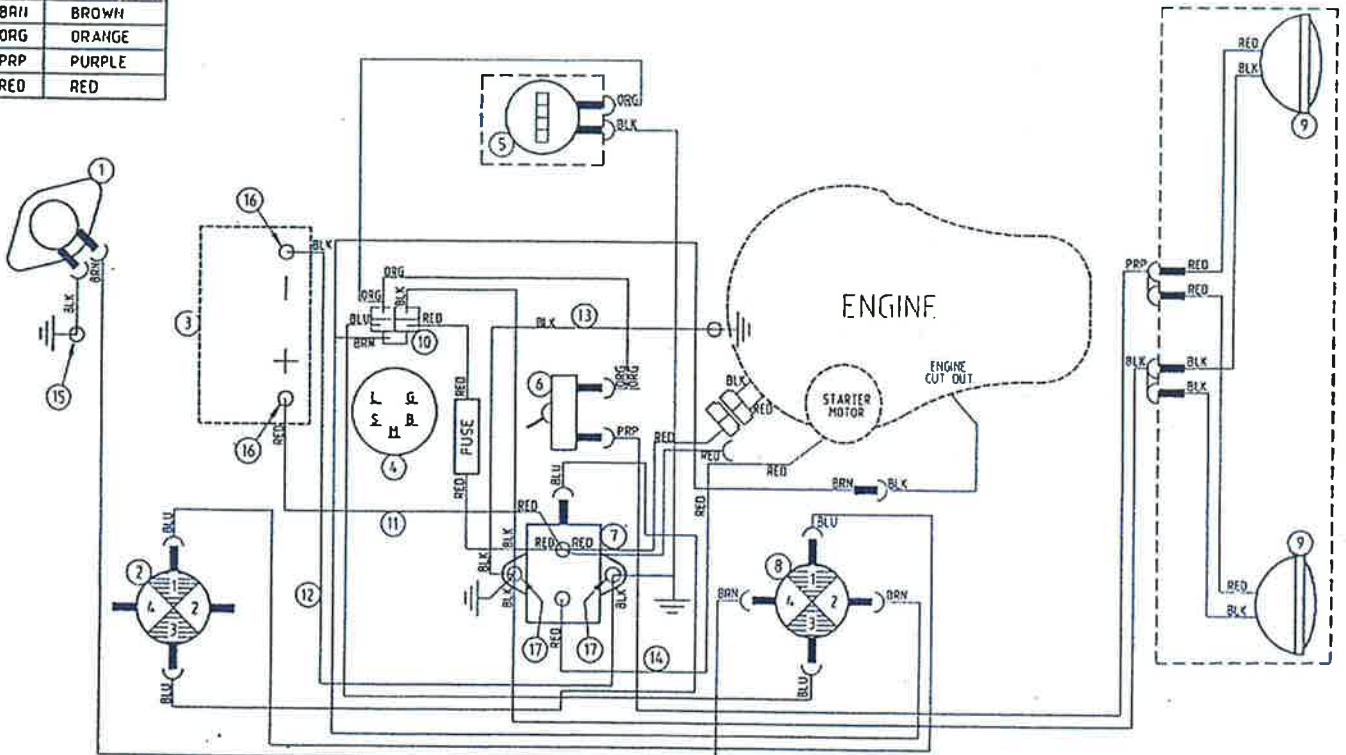


STOCKMAN 25I3-25E94-25K94-25H94 GROUP 14: ELECTRICAL 12.5 & 14HP

Ref No.	Part No.	Description
1	AM165	Seat Micro NLA
2	AM092	Foot Micro NLA
3		Battery PURCHASE LOCALLY
4	AM014	Ignition Switch
	AM015	Ignition Key (2)
5	AM211	Hourmeter
	SAM247	Hourmeter Lead NLA
6	AM229	Light Switch
7	AM159	Solenoid
8	AM092	Disengaging Micro NLA
9	AM228	Lamps (2)
10	AM244N1	Wiring Loom NLA
11	13115	Lead-Battery to Solenoid (Red)
	AM265	Lead-Battery to Solenoid (Red) 14HP
12	13116	Lead-Battery to Earth (Black)
	13117	Lead-Battery to Earth (Black) 14HP
	SAM104	Fuse NLA
	SAM160	Fuse Holder NLA
	AM096	Loom Clamp (2)
	PR0308	Loom Clamp Pop Rivet(2)
	W030820	Pop Rivet Washer (2)
	SH0408C	Earth Lead Bolt (2)
	N04CN	Earth Lead Bolt Nut (2)
13	13116	Lead-Chassis to Engine (Black)
	13117	Lead-Chassis to Engine (Black) 14HP
14	13115	Lead-Solenoid-Starter Motor (Red)
	AM265	Lead-Starter Motor to Solenoid (Tec) (Red)
	AM265	Lead-Solenoid to Starter Motor (Red) 14HP
	AM289	Oil Pressure Light 14HP
	251402	Oil Pressure Light Lead 14HP

CABLE COLOURS	
ABR.	COLOUR
BLK	BLACK
BLU	BLUE
BRN	BROWN
ORG	ORANGE
PRP	PURPLE
RED	RED

[] - OPTIONAL

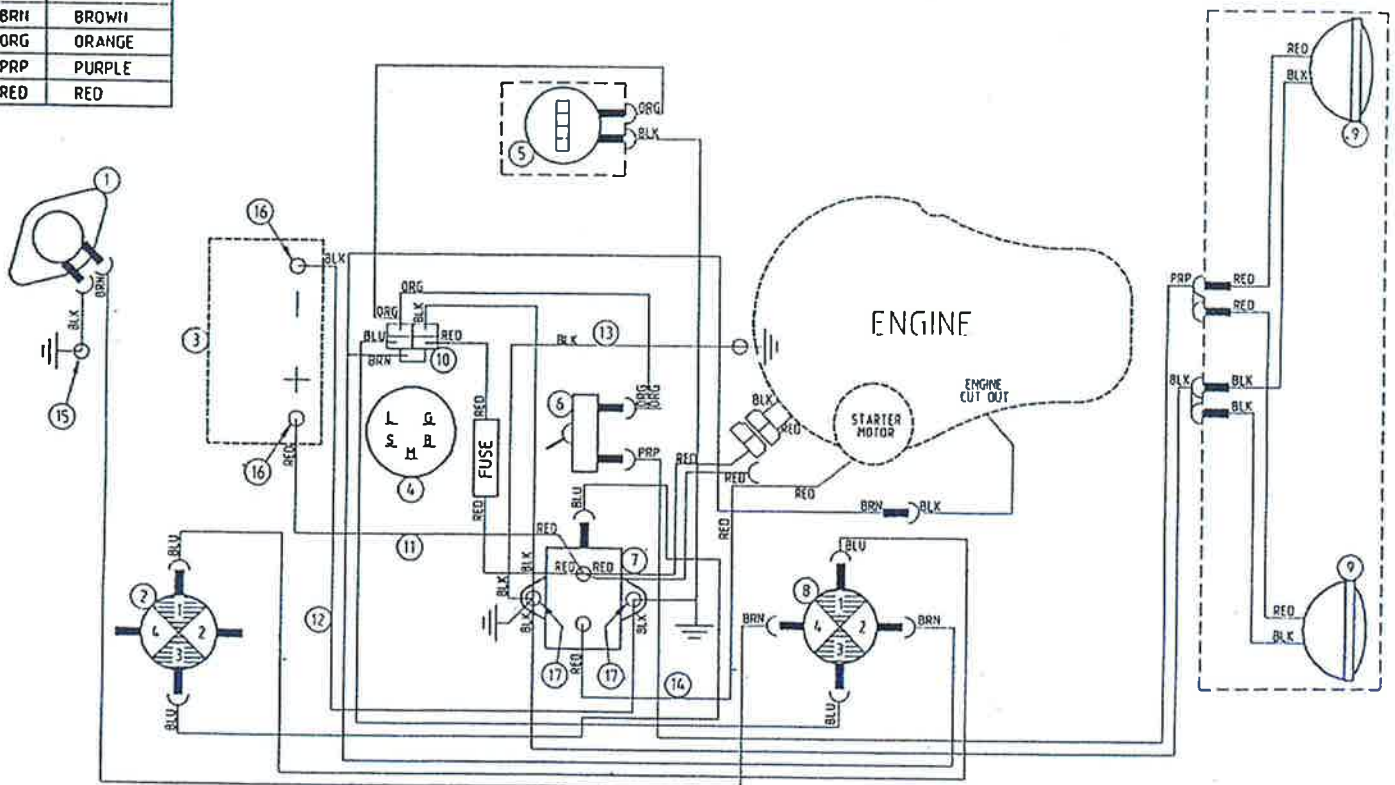


STOCKMAN 25I3-25E94-25K94 GROUP 14: ELECTRICAL 15HP

Ref No.	Part No.	Description
1	AM165	Seat Micro NLA
2	AM092	Foot Micro NLA
3		Battery PURCHASE LOCALLY
4	B&S493625	Ignition Switch
	AM015	Ignition Key
5	AM211	Hourmeter
	SAM247	Hourmeter Lead NLA
6	AM229	Light Switch
7	AM159	Solenoid
8	AM092	Disengaging Micro NLA
9	AM228	Lamps (2)
10	251403	Wiring Loom
11	13115	Lead-Battery to Solenoid (Red)
12	13116	Lead-Battery to Earth (Black)
	091130	Bonnet Extension Plug
	SAM104	Fuse NLA
	SAM160	Fuse Holder NLA
	AM096	Loom Clamp (2)
	PR0308	Loom Clamp Pop Rivet(2)
	W030820	Pop Rivet Washer (2)
	SH0408C	Earth Lead Bolt (2)
	N04CN	Earth Lead Bolt Nut (2)
13	13116	Lead-Chassis to Engine (Black)
14	13115	Lead-Solenoid to Starter Motor (Red)

CABLE COLOURS	
ABR.	COLOUR
BLK	BLACK
BLU	BLUE
BRN	BROWN
ORG	ORANGE
PRP	PURPLE
RED	RED

[-] -OPTIONAL



STOCKMAN 25C95 25K95 25K96 GROUP 14: ELECTRICAL 12.5HP (B&S) & 15HP (Tecumseh)

Ref No.	Part No.	Description
1	AM165	Seat Micro NLA
2	SH0408C	Seat Micro Earth Screw
	N04CN	Seat Micro Earth Nut
3	AM092	Cutter Disengaging Micro NLA
4	AM014	Ignition Switch
	AM015	Ignition Key
5		Battery PURCHASE LOCALLY
6	SH0412W	Battery Terminal Bolt (2)
	N04C	Battery Terminal Bolt Nut (2)
7	AM159	Solenoid
8	SH0408C	Solenoid Mounting Bolt (2)
	N04CN	Solenoid Mtg Bolt Nut (2)
9	13116	Lead Battery-Earth (Black)
10	13116	Lead-Engine-Earth (Black)
11	13115	Lead-Battery-Solenoid (Red)
12	13115	Lead-Starter-Solenoid (Red)

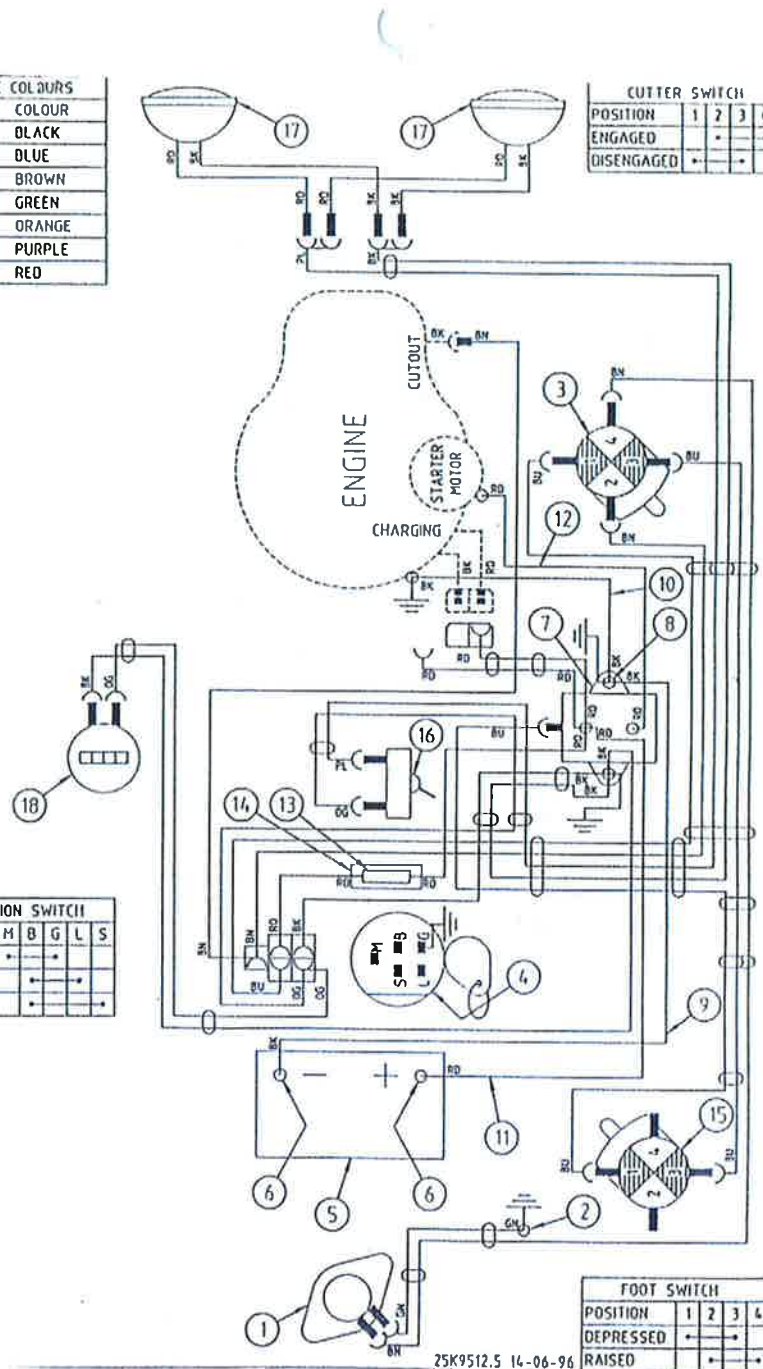
Ref No.	Part No.	Description
13 *	SAM104	Fuse NLA
14 *	SAM160	Fuse Holder NLA
15	AM092	Foot Micro NLA
16	AM229	Light Switch
17	AM228	Lamp (2)
	AM227	Head Lamp Holder (2)
18	AM211	Houmeter
	SAM247	Houmeter Lead NLA
* AM244N1 Wiring Loom NLA		
	AM096	Loom Clamp (2)
	PR0306	Loom Clamp Rivet (2)
	W030820	Rivet Washer (2)
	SH0412C	Earth Lead Bolt (2)
	N04CN	Earth Lead Bolt Nut (2)

CODE	COLOUR
BK	BLACK
BU	BLUE
BN	BROWN
GN	GREEN
OG	ORANGE
PL	PURPLE
RD	RED

POSITION	1	2	3	4
ENGAGED	+	+	+	+
DISENGAGED	-	-	-	-

POSITION: M	B	G	L	S
OFF	+	-	-	-
RUN	-	+	+	-
START	-	-	-	+

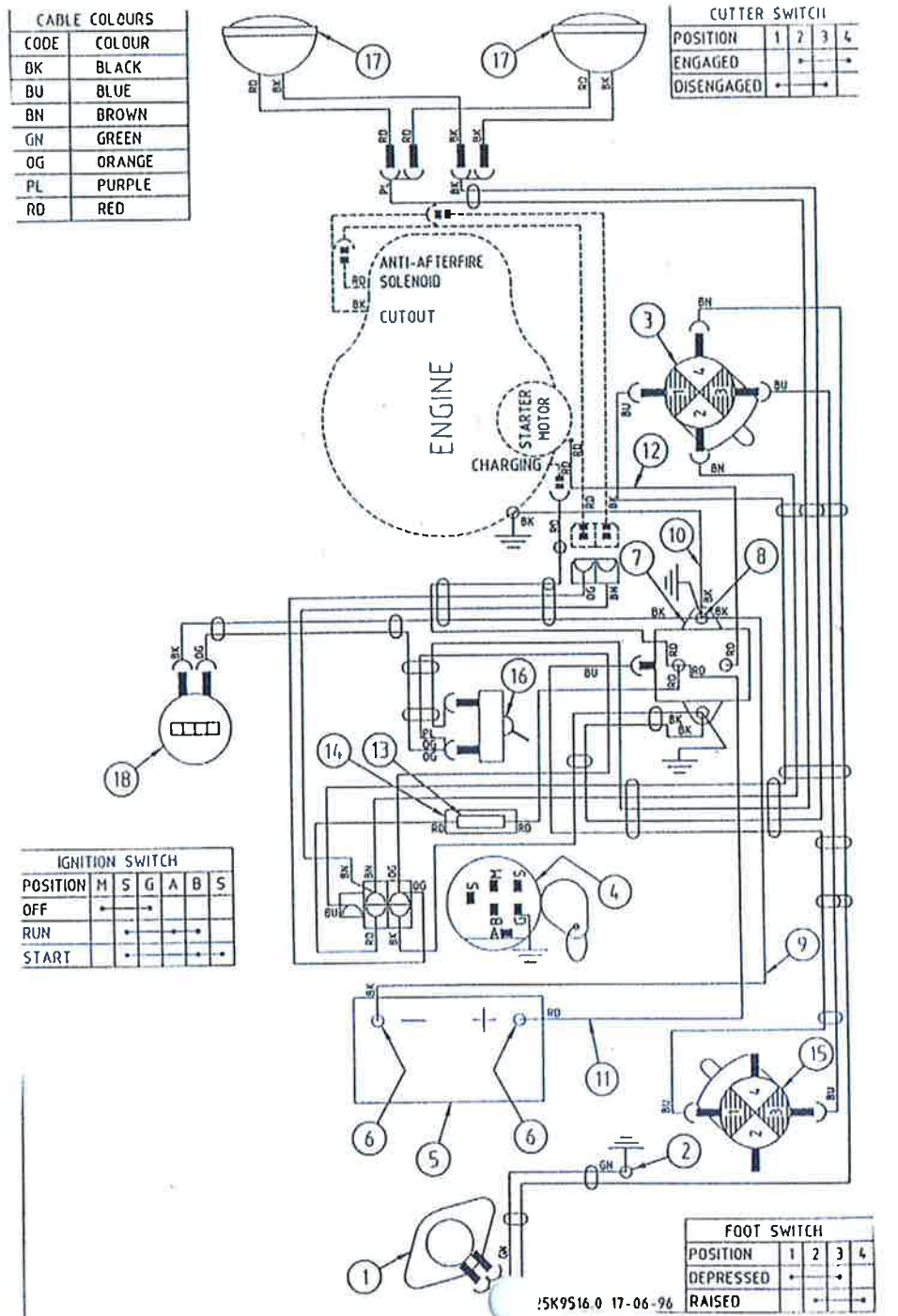
POSITION	1	2	3	4
DEPRESSED	+	+	+	+
RAISED	-	-	-	-



STOCKMAN 25C95 25K95 25K96 GROUP 14: ELECTRICAL 15HP & 16HP B&S

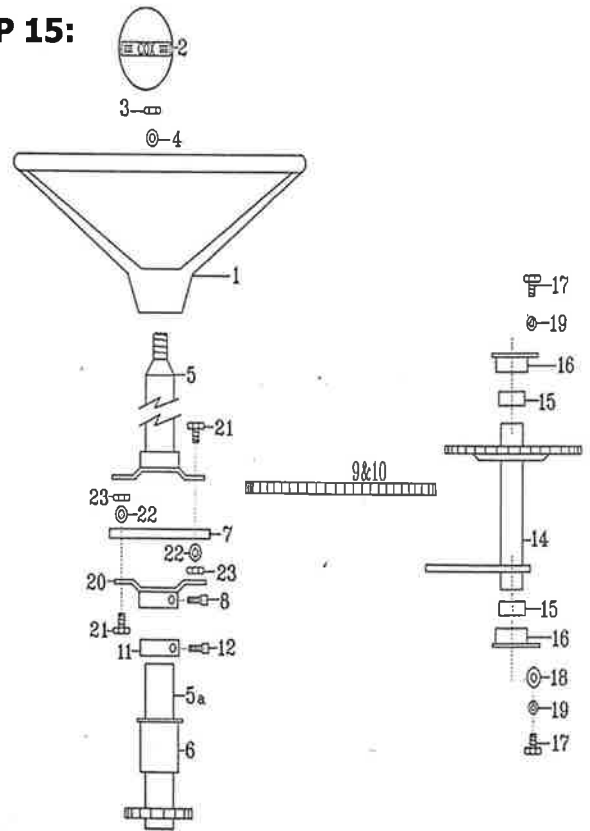
Ref No.	Part No.	Description	Ref No.	Part No.	Description
1	AM165	Seat Micro NLA	13 *	SAM104	Fuse NLA
2	SH0408C	Seat Micro Earth Screw	14 *	SAM160	Fuse Holder NLA
	N04CN	Seat Micro Earth Nut	15	AM092	Foot Micro NLA
3	AM092	Cutter Disengaging Micro NLA	16	AM229	Light Switch
4	B&S493625	Ignition Switch	17	AM228	Lamp (2)
	AM015	Ignition Key		AM227	Head Lamp Holder (2)
5		Battery PURCHASE LOCALLY	18	AM211	Hourmeter
6	SH0412W	Battery Terminal Bolt (2)		SAM247	Hourmeter Lead NLA
	N04C	Battery Terminal Bolt Nut (2)		AM096	Loom Clamp (2)
7	AM159	Solenoid		PR0306	Loom Clamp Rivet (2)
8	SH0408C	Solenoid Mounting Bolt (2)		W030820	Rivet Washer (2)
	N04CN	Solenoid Mtg Bolt Nut (2)		SH0412C	Earth Lead Bolt (2)
9	13116	Lead Battery-Earth (Black)		N04CN	Earth Lead Bolt Nut (2)
10	13116	Lead-Engine-Earth (Black)			
11	13115	Lead-Battery-Solenoid (Red)			
12	13115	Lead-Starter-Solenoid (Red)			

* **251403** **Wiring Loom**



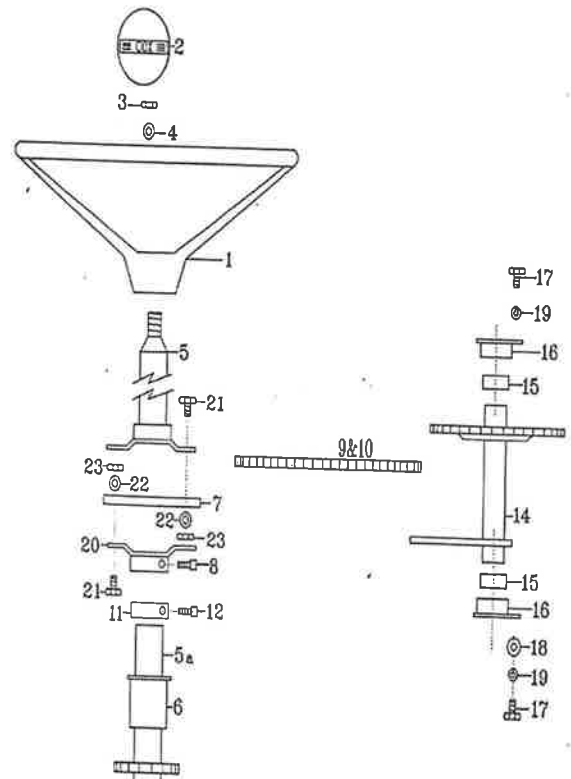
STOCKMAN 25I3-25E94-25K94-25H94 GROUP 15: STEERING COMPONENTS

Ref No.	Part No.	Description
1	SKIT37	Steering Wheel inc Emblem
	AM167M8	Steering Wheel
2	AM225	Steering Wheel Emblem
3	N06CN	Steering Wheel Nut
4	W061216	Steering Wheel Washer
5	AM250	Steering Shaft Upper
5a	AM251G4	Steering Shaft Lower
6	AM017C1	Steering Shaft Bush (3)
7	AM25399J	Steering Shaft Universal
8	GS0404C	Steering Shaft Flange Set Screw
9	AM018	Chain Incl. Link
10	SAM019	Connecting Link
11	AM066	Steering Shaft Lock Collar
12	GS0404C	Lock Collar Set Screw
14	SAM254	Steering Idler Shaft 25I3-25E94 25H94
	AM331	Steering Idler Shaft 25K94
15	AM215	Idler Shaft Mtg Brkt Bush (2)
16	AM255	Idler Shaft Mtg Brkt (2)
17	SH0512C	Idler Shaft Mtg Brkt Bolt (4)
18	W051216	Idler Shaft Mtg Brkt Washer (4)
19	W05S	Idler Shaft Mtg Brkt S/P Washer(4)
20	AM252	Steering Shaft Flange
21	SH0416C	Flange Mounting Bolt (4)
22	W041216	Flange Mting Bolt Washer (4)
23	N04CN	Flange Mounting Bolt Nut (4)



STOCKMAN 25C95 25K95 25K96 GROUP 15: STEERING COMPONENTS

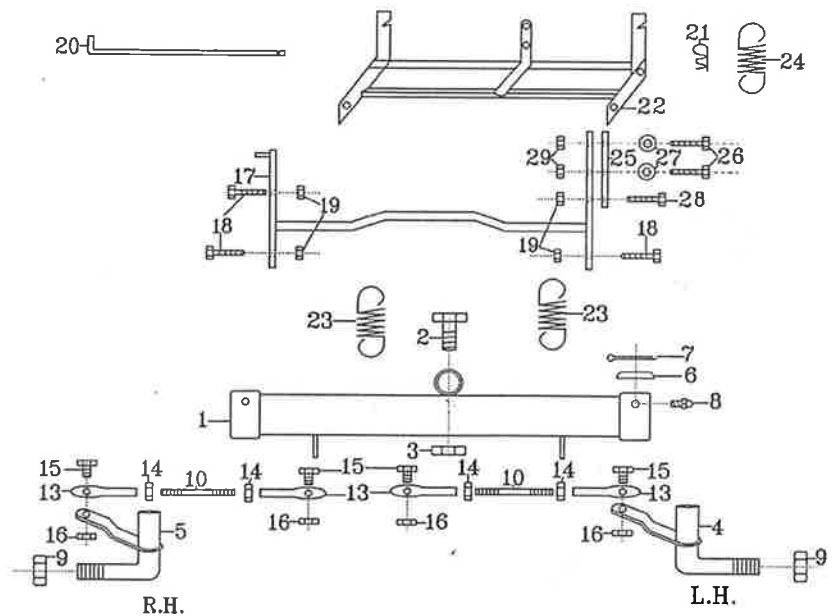
Ref No.	Part No.	Description
1 *	AM167M8	Steering Wheel
2 *	AM225	Steering Wheel Emblem
3	N06CN	Steering Wheel Nut
4	W061216	Steering Wheel Washer
5	AM250	Steering Shaft Upper
5a	AM251G4	Steering Shaft Lower
6	AM017C1	Steering Shaft Bush (3)
7	AM25399J	Steering Shaft Universal
8	GS0404C	Steering Shaft Flange Set Screw
9	AM018	Chain Incl. Link
10	SAM019	Connecting Link
11	AM066	Steering Shaft Lock Collar
12	GS0404C	Lock Collar Set Screw
14	AM331	Steering Idler Shaft
15	AM215	Steering Idler Shaft Mtg Bracket Bush (2)
16	AM255	Steering Idler Shaft Mtg Bracket (2)
17	SH0512C	Steering Idler Shaft Mtg Bracket Bolt (4)
18	W051216	Steering Idler Shaft Mtg Bracket Washer (4)
19	W05S	Idler Shaft Mtg Bracket S/P Washer (4)
20	AM252	Steering Shaft Flange
21	SH0416C	Flange Mounting Bolt (4)
22	W041216	Flange Mounting Bolt Washer (4)
23	N04CN	Flange Mounting Bolt Nut (4)
*	SKIT37	Steering Wheel Incl. Emblem



STOCKMAN 25I3-25E94 GROUP 16: FRONT AXLE COMPONENTS

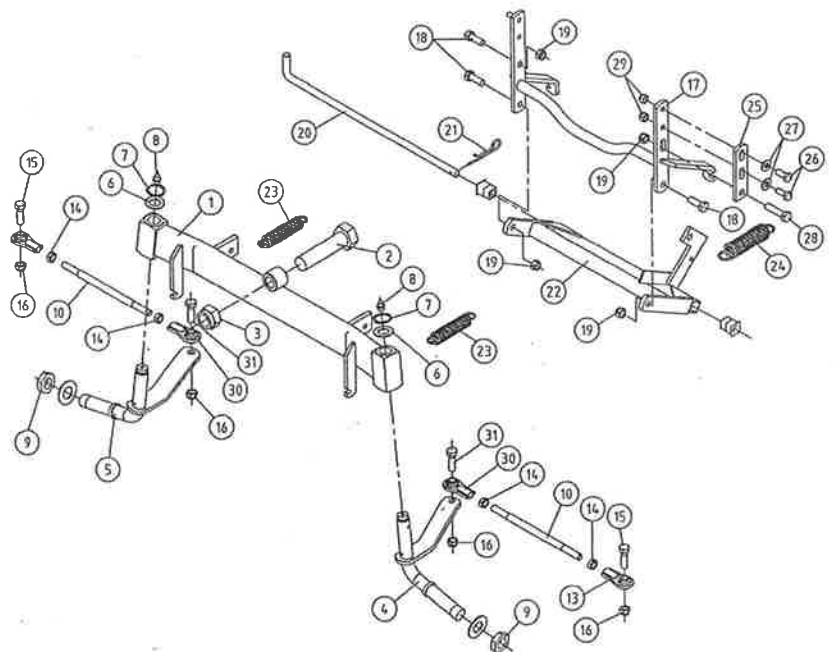
Ref No.	Part No.	Description
1	SAM190 ***	Front Axle Beam NLA
2	B1240W	Front Axle Pivot Bolt NLA
3	N12CN	Front Axle Pivot Bolt Nut
4	AM067	Stub Axle LH NLA
5	AM068	Stub Axle RH NLA
6	AM069	Stub Axle Dust Cap (2)
7	CP3-225	Stub Axle Circlip (2)
8	GNTF3	Grease Nipple (2)
9	NHM20X1.5T	Front Wheel Nut (2)
10	AM256	Tie Rod (2)
13	AM020	Tie Rod End (4)
14	N06F	Tie Rod End Lock Nut (4)
15	B0620C	Tie Rod End Bolt (4)
16	N06CN	Tie Rod End Bolt Nut (4)
17	SAM192G3**	Front Axle Conn Link NLA
18	SH0616C	Connecting Link Bolt (3)
19	N06CN	Connecting Link Bolt Nut (4)
20	AM039S2 13016	Cutter Housing Pivot Rod NLA Cutter Pin (New Type)
	NM6NT	Nut (1)
	SH0616M	Set Screw (1)
21	RP02	Cutter Hsing Pivot Rod 'R' Pin
22	SKIT62R AM230	Cutter Housing Con Link Red Cutter Hsg Con Link Bushes(2)
23	AM040	Cutter Belt Tension Spring (2)
24	AM145	Weight Compensating Spring
25	AM304	Front Axle Conn Link Adjuster
26	SH0516C	F/Axle Conn Link Adj Bolt (2)
27	W051216	F/Axle Con Link Adj Washer(2)
28	B0620C	F/Axle Con Link Adj Pivot Bolt

Ref No.	Part No.	Description
29	N05CN	F/Axle Conn Link Adj. Nut (2)
***		USE KIT163 UPDATE KIT
**		USE KIT188 UPDATE KIT



STOCKMAN 25K94 GROUP 16: FRONT AXLE COMPONENTS

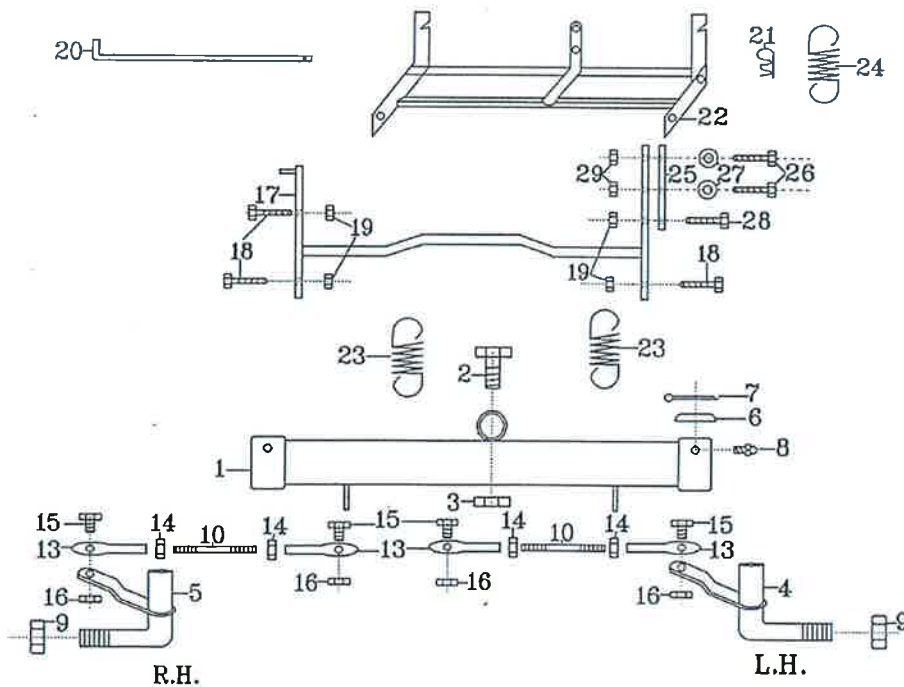
Ref No.	Part No.	Description
1	AM332	Front Axle Beam
2	B1240W	Front Axle Pivot Bolt NLA
3	N12CN	Front Axle Pivot Bolt Nut
4 *	AM333	Stub Axle LH
5 **	AM334	Stub Axle RH
6 */**	AM336	Stub Axle Dust Cap (2)
7 */**	CO2	Stub Axle Split Pin (2)
8 */**	GNTF3	Grease Nipple (2)
	W203806	Front Wheel Spacer (2)
9	NHM20X1.5T	Front Wheel Nut (2)
10	AM256	Tie Rod (2)
13	AM020	Tie Rod End (2)
14	N06F	Tie Rod End Lock Nut (4)
15	B0620C	Tie Rod End Bolt (4)
16	N06CN	Tie Rod End Bolt Nut (4)
	AM341	F/Axle Conn Link NLA
		USE KIT188
18	SH0616C	Connecting Link Bolt (3)
19	N06CN	Connecting Link Bolt Nut (4)
20	AM039S2 13016	Cutter Housing Pivot Rod NLA Cutter Pin (New Type)
	NM6NT	Nut (1)
	SH0616M	Set Screw (1)
21	RP02	Cutter Hsing Pivot Rod 'R' Pin
22	S231606 AM230	Cutter Housing Con Link Con Link Bushes (2)
23	AM040	Cutter Belt Tension Spring (2)
24	AM145	Weight Compensating Spring
25	AM304	Front Axle Conn Link Adjuster
26	SH0516C	F/Axle Conn Link Adj Bolt (2)
27	W051216	F/Axle Con Link Adj Washer (2)
28	B0624C	F/Axle Con Link Adj Pivot Bolt
29	N05CN	F/Axle Conn Link Adj. Nut (2)
30	AM337	Inner Tie Rod End (2)
31	B0624C	Inner Tie Rod End Bolt (2)
*	SKIT89	Stub Axle Left Hand
**	SKIT90	Stub Axle Right Hand



STOCKMAN 25H94 GROUP 16: FRONT AXLE COMPONENTS

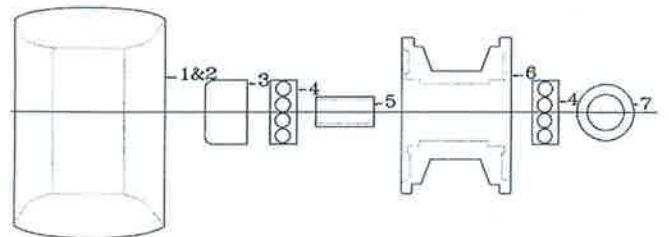
Ref No.	Part No.	Description	Ref No.	Part No.	Description
1	SAM190**	Front Axle Beam NLA	19	N06CN	Connecting Link Bolt Nut (4)
2	B1240W	Front Axle Pivot Bolt NLA	20	AM039S2	Cutter Housing Pivot Rod NLA
3	N12CN	Front Axle Pivot Bolt Nut		13016	Cutter Pin (New Type)
4	AM067	Stub Axle LH NLA		NM6NT	Nut (1)
5	AM068	Stub Axle RH NLA		SH0616M	Set Screw (1)
6	AM069	Stub Axle Dust Cap (2)	21	RP02	C/Housing Pivot Rod 'R' Pin
7	CP3-225	Stub Axle Split Pin (2)	22	SKIT62R	C/Housing C/Link & Bushes RED
8	GNTF3	Grease Nipple (2)		AM230	C/Housing C/Link Bush (2)
9	NHM20X1.5T	Front Wheel Nut (2)	23	AM040	Cutter Belt Tension Spring (2)
10	AM256	Tie Rod (2)	24	AM145	Weight Compensating Spring
13	AM020	Tie Rod End (4)	25	AM304	Front Axle Conn Link Adjuster
14	N06F	Tie Rod End Lock Nut (4)	26	SH0516C	Front Axle C/Link Adj Bolt (2)
15	B0620C	Tie Rod End Bolt (4)	27	W051216	F/Axle C/Link Adj Washer (2)
16	N06CN	Tie Rod End Bolt Nut (4)	28	B0620C	F/Axle Conn Link Adj Pivot Bolt
17	SAM192G3	F/Axle Link NLA use KIT188	29	N05CN	F/Axle Conn Link Adj. Nut (2)
18	SH0616C	Connecting Link Bolt (3)			

**USE KIT163 UPDATE KIT



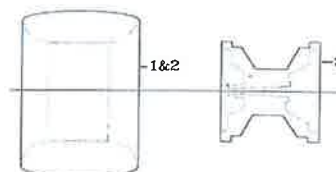
STOCKMAN GROUP 17: FRONT WHEEL COMPONENTS

Ref No.	Part No.	Description
1	TT500x6	Front Wheel Tyre & Tube (2)
	STU500X6	Front Wheel Tube (2)
3	AM07099C	Front Wheel Hub Cap (2)
4	BB204212N	Bearing (4)
5	AM021	Bearing Spacer (2)
6	AM193M9	Wheel Hub (2)
7	W203902	Inner Dust Washer (2)



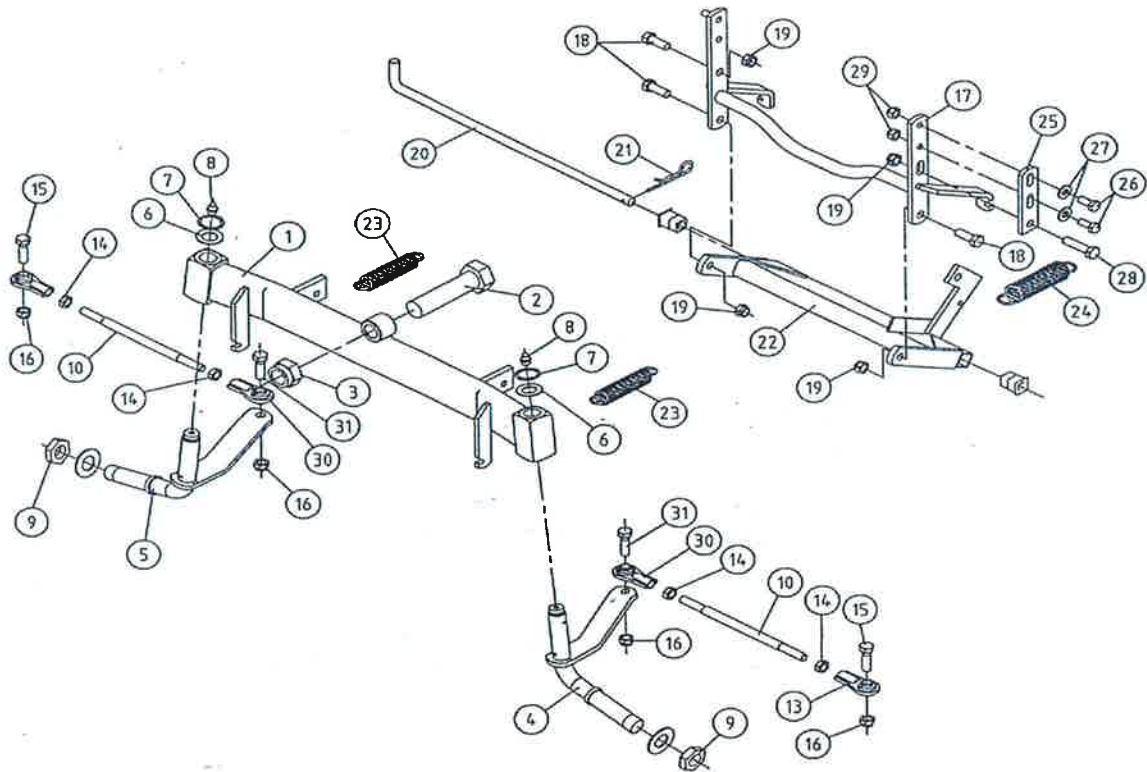
STOCKMAN GROUP 18: REAR WHEEL COMPONENTS

Ref No.	Part No.	Description
1	TT650x8	Rear Wheel Tyre & Tube (2)
2	STU650X8	Rear Wheel Tube (2)
3	AM194	Wheel Hub (2)



STOCKMAN 25C95 25K95 25K96 GROUP 16: FRONT AXLE COMPONENTS

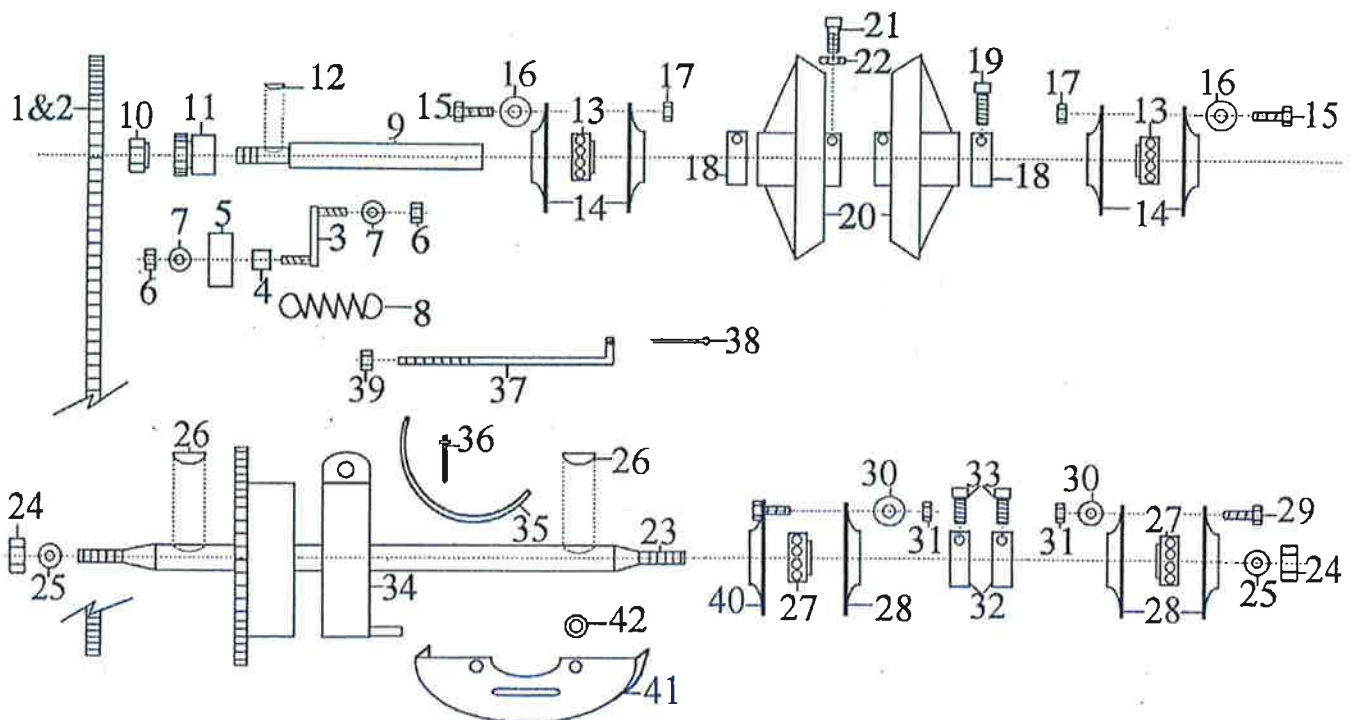
Ref. No.	Part No.	Description	Ref. No.	Part No.	Description
1	AM332	Front Axle Beam	20	AM039S2	Cutter Pivot Rod NLA
2	B1240W	Front Axle Pivot Bolt NLA	13016		Cutter Pin (New Type)
3	N12CN	Front Axle Pivot Bolt Nut		NM6NT	Nut (1)
4 *	AM333	Stub Axle LH		SH0616M	Set Screw (1)
5 <input type="checkbox"/>	AM334	Stub Axle RH	21	RP02	C/Hsing Pivot Rod 'R' Pin
6 * <input type="checkbox"/>	AM336	Stub Axle Sealing Washer (2)	22	AM342	Cutter Belt Tensioning Link
7 * <input type="checkbox"/>	C02	Stub Axle Circlip (2)		AM230	Cutter Bush (2)
8 * <input type="checkbox"/>	GNTF3	Grease Nipple (2)	23	AM040	Cutter Belt Tens. Spring (2)
9	NHM20X1.5T	Front Wheel Nut (2)	24	AM145	Wgt Compensating Spring
	W203806	Front Wheel Spacer (2)	25	AM304	Front Axle Conn Link Adj Brkt
10	AM256	Tie Rod (2)	26	SH0516C	F/Axle Con Link Adj Set Screw (2)
13	AM020	Tie Rod End (2)	27	W051216	F/Axle Con Link Adj Washer(2)
14	N06F	Tie Rod End Lock Nut (4)	28	B0624C	F/ Axle Conn Link Adj Pivot Bolt
15	B0620C	Tie Rod End Bolt (4)	29	N05CN	Front Axle Con Link Adj. Nut (2)
16	N06CN	Tie Rod End Bolt Nut (4)	30	AM337	Inner Tie Rod End (2)
17	AM341	Conn Link NLA USE KIT188	31	B0624C	Inner Tie Rod Bolt (2)
18	SH0616C	Connecting Link Set Screw (3)			
19	N06CN	Conn Link Bolt Nut (4)			
			*	SKIT89	Stub Axle Left Hand
			<input type="checkbox"/>	SKIT90	Stub Axle Right Hand



STOCKMAN 25I3-25E94-25K94-25H94 GROUP 19: DRIVE COMPONENTS

Ref No.	Part No.	Description
1	AM018	Drive Chain Incl Link
2	SAM019	Connecting Link
3 **	SAM245	Chain Tensioner (2) NLA
4	AM231	Spacer (2) 25I3-25E94 NLA
**	AM275	Spacer (2) 25K94
5	BB256217N	Bearing (2) 25I3-25E94
**	PIFBB126598A	Bearing (2) 25K94
6 **	N06CN	Ret. Nut (4)
7 **	W061216	Ret. Nut Washer (6)
8 **	AM180	Chain Tensioning Spring
9	SAM071E95	Intershaft
10	SAM022	Intershaft Nut
11	SKIT30	Intershaft Sprocket & Key
12	SK03	Intershaft Sprocket Key
13	BB25SAN	Intershaft Bearing (2)
14	AM024	Intershaft Bearing Flange (4)
15	SH0616C	Bearing Flange Bolt (6)
16	W061216	Bearing Flange Washer (6)
17	N06CN	Bearing Flange Bolt Nut (6)
18	AM025	Intershaft Lock Collar (2)
19	GS0505C	Lock Collar Set Screw (2)
20	AM197	Clutch Plate (2)
21	SS0612W	Clutch Plate Set Screw Set (4)
23	SAM198	Rear Axle NLA USE SKIT119
24	N10F	Rear Axle Nut (2)
*	N10F	Rear Axle Nut (1) 25K94

Ref No.	Part No.	Description
25	W102016	Rear Axle Washer (2)
*	W102016	Rear Axle Washer (2) 25K94
	W10S	Rear Axle S/P Washer (2)
*	W10S	R/Axle S/P Washer (2) 25K94
26	K18	Rear Axle Key (2)
*	K18	Rear Axle Key (1) 25K94
27	BB25SAN	Rear Axle Bearing (2)
28	AM024	Rear Axle Bearing Flange (3)
29	SH0616C	Bearing Flange Bolt (3)
30	W061216	Bearing Flange Bolt Washer (3)
31	N06CN	Bearing Flange Bolt Nut (6)
32	AM025	Rear Axle Lock Collar (2)
33	GS0505C	Lock Collar Set Screw (2)
34	KIT16	Drum Brake Incl Lining
35	AM200	Brake Band Lining
36	PR0205	Brake Lining Rivet (4)
37	AM266	Drum Brake Rod
38	CP3-220	Drum Brake Rod Split Pin
39	N05CN	Drum Brake Rod Nut
40	AM202	Rear Axle Bearing Flange LH
*	AM024	R/Axle Bearing Flange LH 25K94
41	AM203	Chain Guard (Optional)
42	W061216	Guard Washer (2) (Optional)
**	SKIT119	REAR AXLE KIT HEAVY DUTY
**	SKIT6898A	Chain Adj. Dual Bearing Kit
*		Differential Model Only (25K94)



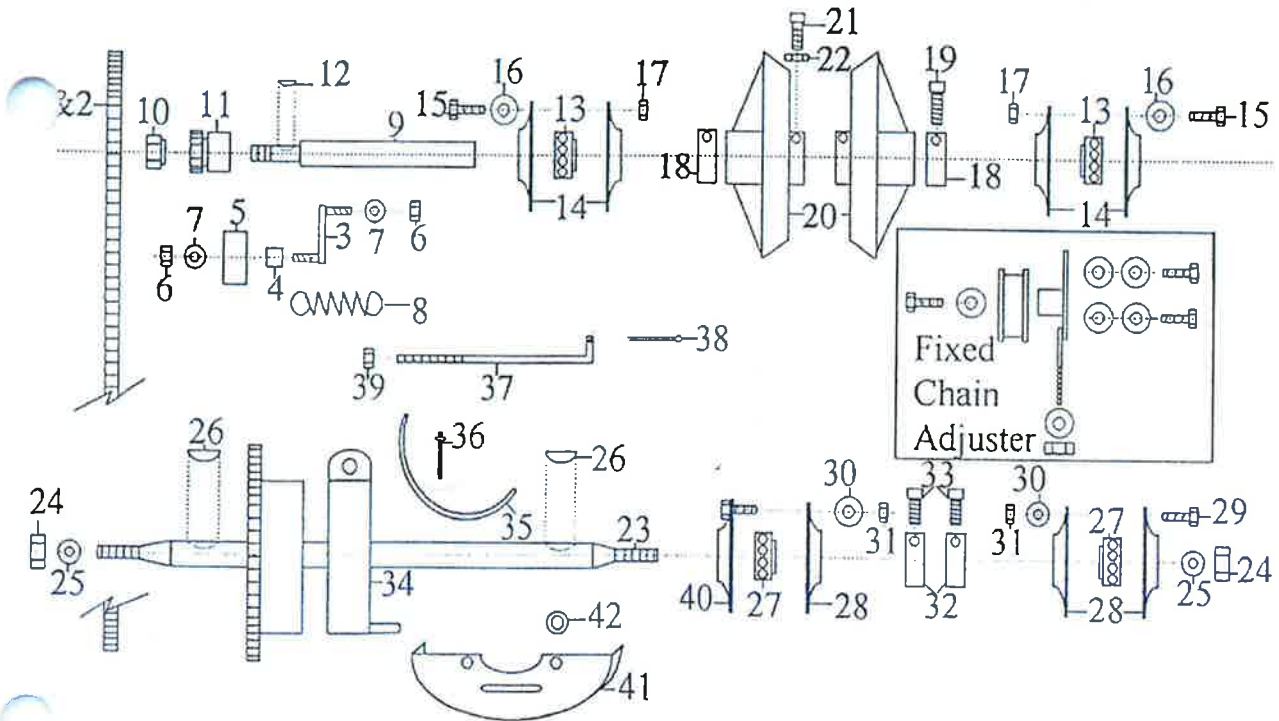
STOCKMAN 25C95 & 25K95 GROUP 19: DRIVE COMPONENTS

Ref No.	Part No.	Description
1	AM018	Drive Chain Incl Link
*	231901	Drive Chain Incl Link
2	SAM019	Connecting Link
*	S231904	Connecting Link
3	SAM347***	Chain Tensioner 25C95 NLA
	AM362	Chain Tensioner (2) 25K95
4	N05CN	Tensioner Nut 25C95
	B0516C	Retaining Bolt (2) 25K95
4a	W050816	Tensioner Washer 25C95 NLA
5	PIFBB126598A	Bearing (2) 25C95
	PIFBB126598A	Bearing (2) 25K95
6	SH0612C	Ret. Bolt (3) 25C95
	N06CN	Ret. Nut (2) 25K95
7	W061216	Ret. Nut Washer (3) 25C95
7a	W051216	Ret. Bolt Washer (2) 25K95
8	WS06081.5	Ret. Nut S/P Washer (3) 25C95
	AM288	Chain Tensioning Spring 25K95
9	SAM071E95	Intershaft
10	SAM022	Intershaft Nut
11	SKIT30	Intershaft Sprocket & Key
*	SKIT65	Intershaft Sprocket & Key
12	SK03	Intershaft Sprocket Key
13	BB25SAN	Intershaft Bearing (2)
14	AM024	Intershaft Bearing Flange (4)
	SH0612C	Bearing Flange Bolt (6)
17	N06CN	Bearing Flange Bolt Nut (6)
18	AM025	Intershaft Lock Collar (2)
19	GS0505C	Lock Collar Set Screw (4)
20	AM197	Clutch Plate (2)
21	SS0612W	Clutch Plate Set Screw Set (4)
23	SAM198	Rear Axle NLA USE SKIT119

Ref No.	Part No.	Description
24	N10F	Rear Axle Nut (2)
*	N10F	Rear Axle Nut (1)
25	W102016	Rear Axle Washer (2)
*	W102016	Rear Axle Washer (1)
	W10S	Rear Axle S/P Washer (2)
*	W10S	Rear Axle S/P Washer (1)
26	K18	Rear Axle Key (2)
*	K18	Rear Axle Key (1)
27	BB25SAN	Rear Axle Bearing (2)
28	AM024	Rear Axle Bearing Flange (8)
29	SH0616C	Bearing Flange Bolt (3)
30	W061216	Bearing Flange Washer (3)
31	N06CN	Bearing Flange Bolt Nut (6)
32	AM025	Rear Axle Lock Collar (2)
33	GS0505C	Lock Collar Set Screw (2)
34	KIT16	Drum Brake Incl Lining
35	AM200	Brake Band Lining
36	PR0205	Brake Lining Rivet (4)
37	AM266	Drum Brake Rod
38	CP3-220	Drum Brake Rod Split Pin
39	N05CN	Drum Brake Rod Nut
	W051216	Brake Drum Washer
40	AM202	Rear Axle Bearing Flange L/H
*	AM024	Rear Axle Bearing Flange L/H

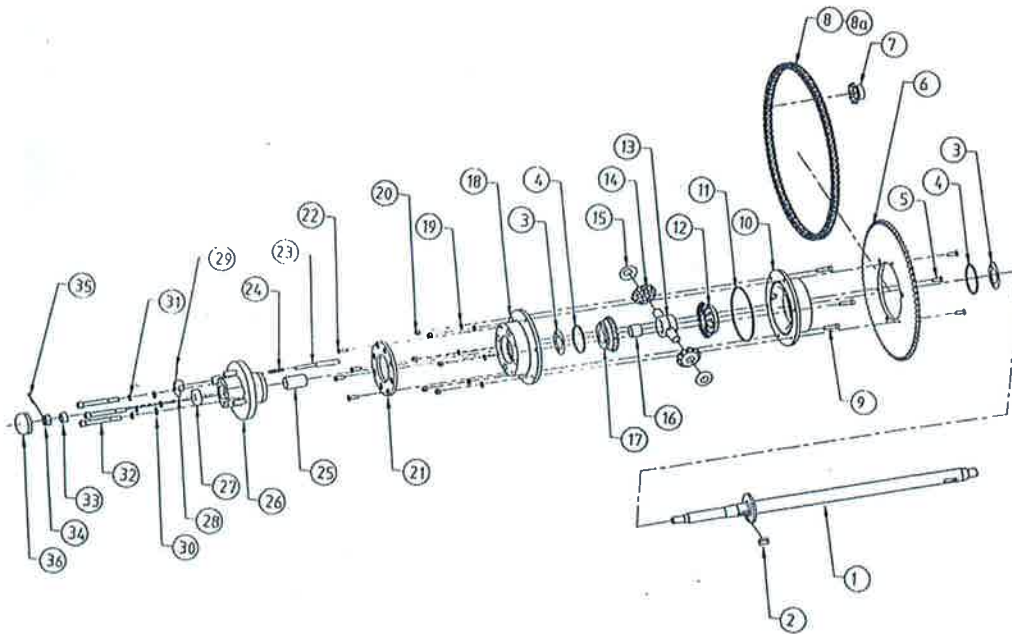
SKIT120 Intershaft Kit (New Type)
SKIT119 Sprockets & Chain H\ Duty)

*** CONVERT TO DUEL CHAIN TENSIONER
SKIT6898A



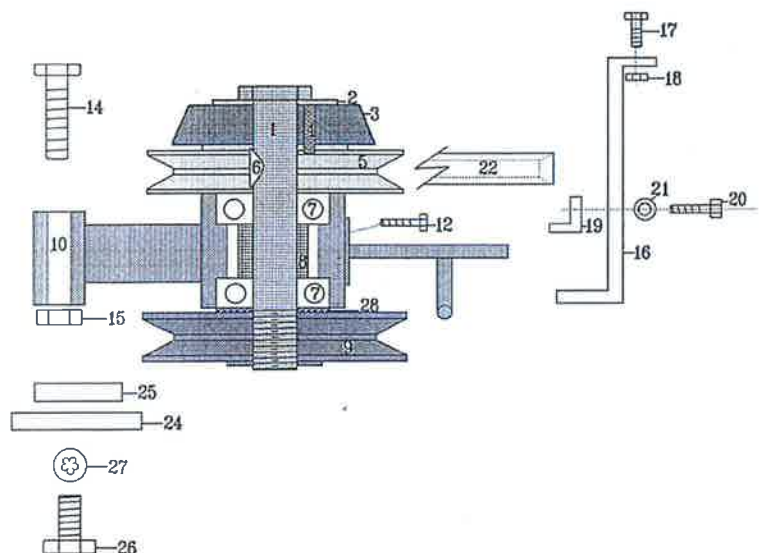
STOCKMAN GROUP 19A: DIFFERENTIAL COMPONENTS

Ref. No.	Part No.	Description	Ref. No.	Part No.	Description
1	AM322	Shaft, Differential Axle	20	NM6NT	Diff Case Locking Screw Nut
	AM338	Differential Axle	21	AM311	Locking Ring
2	AM339	Gear Key	22	CSSSM6x16	Locking Ring Screw (4)
3 *	AM323	Gasket (2)	23	AM309	Locking Pin
4 *	AM319	O-Ring (2)	24	AM308	Locking Pin Compression Spring
5	CSSSM6x35	Sprocket Locking Screw (3)	25**	AM313	Wheel Adaptor, Bronze
6	AM321	Sprocket	26	AM310	Wheel Adaptor
7	SKIT65	Intershaft Sprocket & Key	27**	BB15329N	Wheel Adaptor Bearing
8	231901	Drive Chain Inc. Link	28****	AM307	Unlocking Lever
8a	S231904	Drive Chain Link	29****	DP03	Unlocking Lever Roll Pin
9	CHSSM6x25	Differential Case Locking Screw (3)	30	AM324	Retaining Washer (3)
10	AM320	Case RH, Plain Half	31	WSM8X2X2	Retaining Bolt Spring Washer (3)
11*	AM325	O-Ring	32	CHSBM8x75	Retaining Bolt (3)
12	AM306	Gear Bevel Keyed	33	AM340	Wheel Adaptor Sleeve
13	AM318	Pinion Yoke	34	NS08F	Wheel Adaptor Axle Nut
14	AM316	Gear Bevel Pinion	35 *	CP3-225	Wheel Adaptor Axle Nut Split Pin
15**	AM317	Thrust Ring (2)	36	AM07099C	Hub Cap
16**	AM314	Gear Level Drive Bush	*	SKIT92	Seal Kit, Differential
17	AM315	Gear Bevel Drive	**	SKIT93	Bearing Kit, Differential
18	AM312	Case LH, Locking Half	****	SKIT95	Unlocking Lever Kit, Differential
19	W06MN	Diff Case Locking Screw Washer			



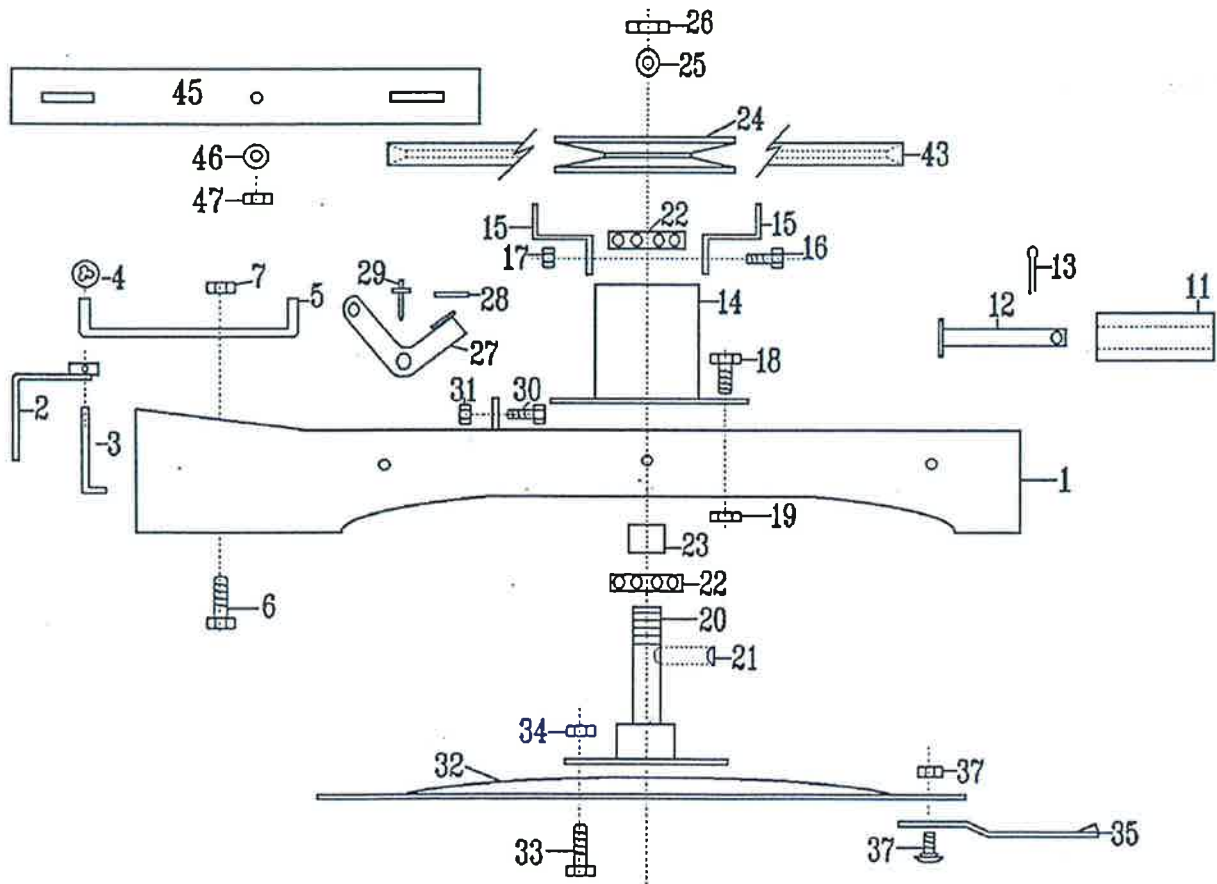
STOCKMAN GROUP 20: CLUTCH ARM & COMPONENTS

Ref. No.	Part No.	Description
1	AM204J3	Clutch Shaft
2	W204305	Clutch Cone Ret. Washer
3	KIT187	Clutch Cone
4	PDM0630	Clutch Cone Pin
5	AM326	Clutch Pulley Upper
6	SK09	Clutch Pulley Key
7	BB205215NS	Clutch Bearing (2)
8	AM072	Clutch Bearing Spacer
9	252001	Clutch Pulley Lower
10	AM207	Clutch Arm with Belt Guides
12	SH0512C	Yoke Ret. Set Screw (2)
14	B0652C	Clutch Arm Pivot Bolt
15	N06CN	Clutch Arm Pivot Bolt Nut
16	AM206	Clutch Arm Locating Bracket
17	SH0512C	Locating Bracket Set Screw (2)
18	N04CN	Locating Bracket Bolt Nut (2)
19	AM246	Clutch Arm Bracket Wear Plate
20	SH0512C	Wear Plate Set Screw (2)
21	W051216	Brkt Wear Plate Washer (2)
	W05S	Wear Plate S/P Washer (2)
22	V16	Belt - Engine to Clutch
24	AM208	Clutch Adjusting Plate
25	AM209	Clutch Adjusting Tapped Plate (2)
26	SH0616C	Adjusting Plate Set Screw (2)
27	W06S	Set Screw Lock Washer (2)
28	W203902	Clutch Pulley Bearing Washer



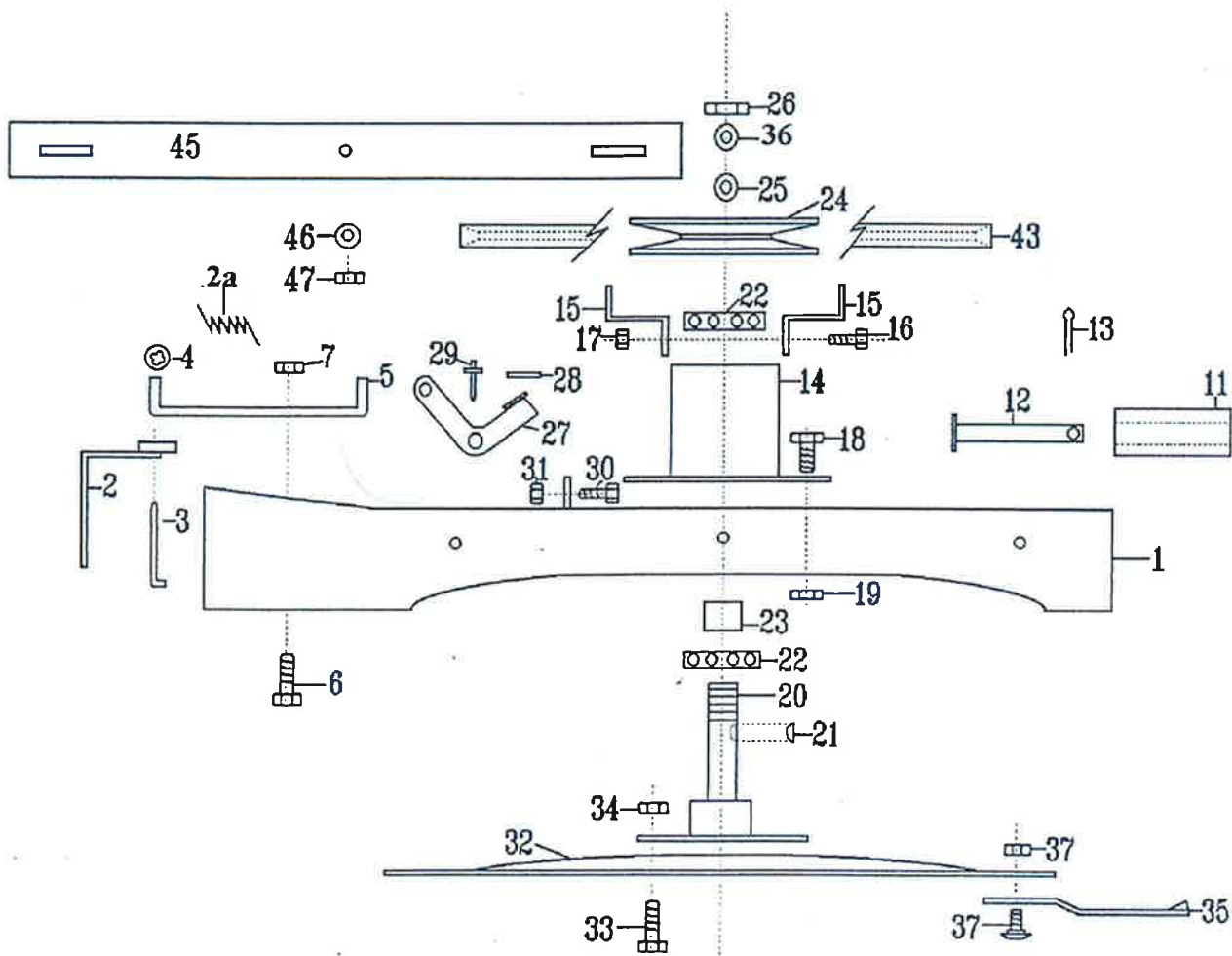
STOCKMAN 25H94 GROUP 21: 28" MOWING ATTACHMENT COMPONENTS

Ref No.	Part No.	Description	Ref No.	Part No.	Description
1	SKIT123	Cutter Housing c/w F/Cover	25	W204303	Pulley Ret. Washer
	AM230	Cutter Housing Bush (2)	26	NHM20X1.5T	Pulley Ret. Nut
2	AM259	Deflector		WM20S	Pulley Ret. Shakeproof Washer
	AM272	Deflector Spring	27	KIT15	Cutter Brake Incl. Pad
3	AM273	Deflector Rod	28	AM033I95	Cutter Brake Pad
4	AM274	Deflector Ratchet Plate	29	PR0205	Brake Pad Pop Rivet (2)
	W041216	Deflector Bracket Washer	30	B0520C	Cutter Brake Pivot Bolt
5	AM052E1	Deflector Bracket	31	N05CN	Cutter Brake Pivot Bolt Nut
6	SH0412C	Deflector Bracket Bolt (2)	32	AM07604A	Cutter Disc
7	N04CN	Deflector Bracket Bolt Nut (2)	33	SH0612C	Cutter Disc Ret. Bolt (4)
11	AM036D9	Cutter Housing Roller	34	N06CN	Cutter Disc Ret. Bolt Nut (4)
12	AM037	Cutter Roller Shaft	35	SMB150S	Blade - Stepped
13	CP3-225	Cutter Roller Shaft Split Pin		SMB150A	Blade - Air Flow (optional)
14	SKIT08	Bearing Housing	37	SKIT01D1	Blade Bolt & Nut Set
15	AM073	Belt Guides (2)	43	V13	Belt - Cutter to Clutch
16	B0416C	Belt Guide Bolt (2)	45	AM220	Cutter Front Guard
17	N04CN	Belt Guide Bolt Nut (2)	46	W051216	Cutter Guard Washer (3)
18	B0620C	Cutter Brng Housing Bolt (4)	47	N05CN	Cutter Guard Ret. Nut (3)
19	NF06CN	Bearing Hsng Bolt Nut (4)			
20	13181	Cutter Shaft			
21	SK09	Cutter Shaft Key			
22	BB205215NS	Cutter Shaft Bearing (2)			
23	AM029	Bearing Spacer			
24	AM030	Cutter Shaft Pulley			
				SKIT32N	Blade/Bolt/Nut Set - Stepped
				SKIT33N	Blade/Bolt/Nut Set - Air/Flow
				SKIT66	Deflector Kit



STOCKMAN GROUP 21: 32" MOWING ATTACHMENT COMPONENTS

Ref No.	Part No.	Description	Ref No.	Part No.	Description
1	SKIT122	Cutter Housing c/w Guard & Bushes	25	W203902	Pulley Ret. Washer (2)
	AM230	Cutter Housing Bush (2)	26	NHM20X1.5T	Pulley Ret. Nut
2 ***	AM259	Deflector	27	KIT15	Cutter Brake Incl. Pad
2a ***	AM272	Deflector Spring	28	AM033195	Cutter Brake Pad
3 ***	AM273	Deflector Rod	29	PR0205	Brake Pad Pop Rivet (2)
4 ***	AM274	Deflector Ratchet Plate	30	B0520C	Cutter Brake Pivot Bolt
	*** W041216	Deflector Bracket Washer	31	N05CN	Cutter Brake Pivot Bolt Nut
5 ***	AM052E1	Deflector Bracket	32	AM07604A	Cutter Disc
6 ***	SH0412C	Deflector Bracket Bolt (2)	33	SH0616C	Cutter Disc Ret. Bolt (4)
7 ***	N04CN	Deflector Brkt Bolt Nut (2)	34	N06CN	Cutter Disc Ret. Bolt Nut (4)
11	AM036D9	Cutter Housing Roller	35	SMB198S	Cutter Blade - Stepped
12	AM037	Cutter Roller Shaft		SMB198A	Blade - Air Flow (opt)
13	CP3-225	Roller Shaft Split Pin	36	WM20S	Pulley Ret. S/P Washer
14	SKIT08	Bearing Hsng c/w Guides	37	SKIT01D1	Blade Bolt & Nut Set
15	AM073	Belt Guides (2)	43	V10	Belt - Cutter to Clutch
16	B0416C	Belt Guide Bolt (2)	45	AM220	Cutter Front Guard
17	N04CN	Belt Guide Bolt Nut (2)	46	W051216	Cutter Guard Washer (3)
18	B0620C	Cutter Brng Hsng Bolt (4)	47	N05CN	Cutter Guard Ret. Nut (3)
19	NF06CN	Bearing Hsng Bolt Nut (4)			
20	13181	Cutter Shaft	***	SKIT66	Deflector Kit
21	SK09	Cutter Shaft Key		SKIT54N	Blade, Bolt, Nut - Stepped
22	BB205215NS	Cutter Shaft Bearing (2)		SKIT55N	Blade, Bolt, Nut - Air Flow
23	AM029	Bearing Spacer			
24	AM030	Cutter Shaft Pulley			



FOREWORD

To ensure continued efficiency of your Cox Ride-on Mower, regular maintenance at periodic intervals is essential. For your guidance this booklet contains schedules applicable to the maintenance required at the appropriate times, and a service record.

IMPORTANT

If operating in conditions such as those mentioned below, engine oil, air filtering, chassis lubrication, greasing and adjustments should be serviced at more frequent intervals than specified in this booklet.

- a) Mowing in damp or wet conditions.
- b) Mowing in rough or dusty conditions.

c) Mowing in hilly areas under heavy load.

WARRANTY SERVICE PROBLEM:

Purchase Date of machine must be given before warranty will be accepted for processing. In the event of a need for warranty service contact your local Authorised Cox Dealer/Distributor.

WARRANTY REGISTRATION:

The warranty registration card must be completed by the dealer with the customer at the time of purchase and returned to Cox Industries or an authorised Dealer/Distributor within 14 days.

SAFETY INSTRUCTIONS

- Read, understand, & follow all instructions in the Owner/Operators manual.
- Know the controls and how to stop the engine quickly in an emergency.
- Allow only responsible adults, who are familiar with the instructions in this manual, to operate the machine.
- Clear the area to be mowed of loose objects such as sticks, stones, bones, wire, toys, debris, etc., which could be picked up and thrown by the blades.
- DO NOT mow whilst people, especially children, or pets are in the mowing area.
- Exercise extreme caution on slopes.
- Reduce speed on slopes and in sharp turns to prevent overturning or loss of control.
- Start or stop slowly when on slopes.
- Mow up and down slopes, not across the slope.
- Stay alert for holes or bumps in the terrain and other hidden hazards.
- Use care when pulling loads-
Use only approved hitch point; limit loads to those you can safely control; Do not turn sharply; use care when backing up.
- Watch out for traffic when crossing or operating the mower near roadways.
- Stop the blades rotating before crossing surfaces other than grass.
- When using attachments, never direct discharge of material toward bystanders nor allow anyone near the machine while it is in operation.
- Before leaving the operators position-
Disengage all clutches and secure cutting units; Return drive pedal to neutral position and set the parking brake; Stop the engine and remove the key.
- Disengage drive to attachments and stop engine-
Before re-fueling. Before removing grass-catcher; Before clearing blockages from chute; Before checking, cleaning or working on the mower; After striking a foreign object (check the mower for damage and make repairs before restarting and operating the equipment)
- If machine starts to vibrate abnormally (check immediately).
- Disengage drive to attachments when transporting or not in use.
- A mower operator should be in good physical and mental health and not under the influence of alcohol or any drug which might impair vision, co-ordination or judgment.
- Never mow, while barefoot or wearing open sandals or thongs. Wear long trousers and heavy shoes.
- It is advisable to wear suitable eye protection when operating a mower.
- Mow only in daylight or good artificial light.
- Before using, always visually inspect to see that blades, bolts and cutter assembly are not worn or damaged. Replace worn or damaged blades and bolts in sets to preserve balance.
- Check all nuts, bolts, and screws often; always be sure the mower is in safe operating condition.
- Keep safety devices (guards and switches) in place and in working order.
- Never use the mower unless the grass catcher, or guards provided by the manufacturer, are in position.
- Ensure any replacement parts used comply with the original manufacture's recommendations and specifications.
- Replace worn or faulty silencers.
- Keep machine free of grass, leaves or other debris, excessive oil, grease, or spilt fuel. These can be a fire hazard.
- Refuel outdoors only. Do not smoke while fueling engine. Never remove the cap of the fuel tank or add petrol while the engine is running or the engine is hot. Remove fuel cap slowly to relieve any tank pressure. If fuel is spilled, do not attempt to start the engine but move machine away from the area of the spill and avoid creating any source of ignition until fuel vapors have dissipated.
- Check for fuel leaks while refueling, before and while using the mower. If a fuel leak is found, do not start or run the engine until the fuel leak is fixed and spilled fuel is wiped away.
- Do not operate engine in a confined space where exhaust fumes (carbon monoxide) can collect.
- Start the engine carefully with the cutting means disengaged.
- Do not over-speed the engine or alter governor settings. Excessive speed is dangerous and shortens mower life.
- Stop the engine whenever you leave the mower, even for a moment.
- Store the mower in a well-ventilated room away from naked flames such as may be found in hot water heaters.
- Do not lend or sell the mower, without the owners/operators Manual.

PRE-DELIVERY

INTRODUCTION:

The purpose of this procedure is to ensure the dealer/distributor has made the necessary installations, adjustments and checks, before the machine is operational. This procedure begins upon receiving the crated mower and is finalised once the mower has been either sold or leaves the dealer/distributors premises. This is the minimum amount of work required, however it should not be limited to only the areas detailed in this procedure.

RESPONSIBILITY:

It is the responsibility of the dealer/distributors to ensure that before a machine is delivered to a customer, it is in perfect operational condition.

PROCEDURE:

CHECK ACCESSORIES SUPPLIED IN SEAT PROTECTION BAG

- Engine owners manual
- Owner/Operator manual
- Tube spanner (AM006C1)
- Tommy bar (AM007)
- Ignition keys (AM015)
- Spark plug spanner (AM005G0)
- Steering wheel (AM167M8)
- Steering wheel emblem (AM225)
- Clutch Clearance Gauges x 2 (13126)

Remove the four seat bolts, shakeproof washers and plain washers to remove the plastic bag protection from around seat. Install the four seat bolts, shakeproof washers and plain washers, making sure that the seat is adjusted into the desired position by using the seat transmission slots, tighten bolts.

CHARGING THE BATTERY

Undo the battery clamp screw and nut and remove both clamps, lift battery cover from battery. Remove the tape covering the fill holes in the battery. Fill each cell of the battery until the acid levels are in between the upper and lower levels marked on the battery. (use 1.240-1.280 specific gravity) Using a 12V, 4 or 8amp battery charger, charge the battery for a period of 30 minutes.

After the charge proceed to do the following:

- Check acid levels in all battery cells (top up if necessary).
- Install battery caps. Allow battery to stand for 30 minutes before usage.

Tighten the red battery lead to the positive terminal first and then the black battery lead to the negative terminal.

Place battery in position, make sure battery leads are well clear of the steering universal, and fit battery cover. Place both battery clamps over battery and tighten the battery clamp screw and nut.

TYRE PRESSURE

Before operation ensure that all tyre pressures are equal. The maximum pressure allowed is 140 kpa (20 P.S.I.).

ENGINE OIL

Before operation ensure that engine oil level is to the full mark on the dipstick. (Check engine owners manual if oil needs to be added).

FUEL TAP

Ensure the in line fuel tap under the fuel tank is turned to the on position before attempting to start engine. (Use unleaded fuel only).
Turn off fuel tap after use.

STEERING WHEEL

Using the tommy bar (AM007) and tube spanner (AM006C1) supplied, tighten the steering wheel using the nut and washer attached to the steering shaft. Torque setting for the steering wheel nut is 20Nm (180Lbf in).

Align the three locating pins in the steering emblem with the holes supplied in the steering wheel, press the steering emblem in using hand pressure only.

SEAT SPRINGS

Install and tighten the two seat springs, bolts and nuts to the triangular brackets welded to the chassis, which are situated under the seat transmission.

CLUTCH PLATE ADJUSTMENT

Engage and disengage the cutter lever a few times and leave in the engaged position, this will centre the clutch arm assembly into the neutral position. Loosen the four square head set screws on the clutch plates using tube spanner (AM006C1) and tommy bar (AM007). Insert the clearance gauges supplied, one between the forward clutch plate and cone and the other between the reverse clutch plate and cone and hook them onto the intershaft. Slide both clutch plates against the clearance gauges and clutch cone, tighten the set screws firmly onto the flat on the intershaft. Remove gauges.

MICRO (SAFETY) SWITCHES

Foot micro - With cutter lever disengaged, attempt to start the engine without using the foot micro switch. Engine should not start.

Disengagement micro - While sitting on machine with foot on micro switch and cutter engaged, attempt to start machine. Engine should not start.

Seat micro - While sitting on machine start engine, engage cutter and lift weight from seat. Engine should cut out.

IMPORTANT

RECOMMENDED FUEL

Unleaded fuel is recommended by all manufacturers of engines fitted to Cox products.

DRIVE PRESSURE

Ensure when applying pressure to the drive pedal the wheels start rotating, failure to adhere to this will result in clutch plate and clutch cone damage.

SAFETY MICRO SWITCHES

Before operating machine, ensure that all micro-safety switches are operating correctly. Do not operate machine with faulty, missing or damaged safety micro-switches.

STARTING MACHINE

When starting machine, place right heel on micro switch located on rear of footrest. Ensure that cutter is disengaged, otherwise electric starter motor will not

engage. If engine is cold move throttle to cold start position and return to desired throttle setting when engine starts. Do not attempt to operate engine with throttle lever in cold start (choke) position. (Note electric start engines fitted with recoil can be manually started with cutter disengaged and ignition on).

BLADE WARNING

Do not use mowing attachment with broken or bent blades, damaged or worn bolts and nuts or damaged cutter disc, otherwise damage and premature wear will result from vibration. Replace blades, bolts and nuts only in pairs to maintain correct balance. Recommended blade nut torque is 36-40Nm. Do not over tighten.

Keep both feet and hands clear at all times of the mowing attachment while attempting to start or operate the machine.

WARNING

DO NOT OPERATE WITHOUT MOWING ATTACHMENT DEFLECTOR FITTED & DOWN ON SIDE DISCHARGE MODELS. FOR REAR DISCHARGE MODELS DO NOT OPERATE WITHOUT GRASS CATCHER FITTED OR GRASS DEFLECTOR FITTED.

Safety footwear is recommended when operating machine. Mount and dismount only from left hand side of machine.

Reference to left or right hand side of machine is determined by sitting in the operating position on the machine.

Ensure machine has hand brake engaged when attempting to start engine.

Never allow engine revs to exceed more than 3600 RPM.

TO OPERATE

BEFORE STARTING/SWITCHING OFF:

See Engine Maintenance/Instruction Sheet. When stopping engine disengage cutter return throttle to slow position and switch off

DISENGAGING MOWING ATTACHMENT:

The Disengaging lever is situated on the right hand side by the steering column. Before starting, disengage mowing attachment by pulling lever fully to the operator. For safety it is advisable at all times, other than when mowing, that the mowing attachment be kept in the disengaged position.

TO DRIVE FORWARD/REVERSE:

Power is regulated by the throttle, set throttle control to desired engine power. Press down on the forward section of the clutch pedal for forward movement, on the rear of the clutch pedal for reverse. The amount of pressure can be used to control the ground speed, especially in heavier conditions.

N.B. Ensure that when pressure is applied to the drive pedal wheels start rotating or damage will occur to clutch plates.

MANOEUVRING:

Owing to the heel and toe type action of the drive pedal, it is possible to take the machine straight from forward to reverse and vice versa. This instant forward and reverse operation makes the machine very manoeuvrable and the sharpest turns can be negotiated easily and quickly.

TO BRAKE (WITH ENGINE RUNNING):

The clutch may be used to stop the machine. If travelling forward push the pedal into reverse until machine stops, then bring the pedal back to neutral position or vice versa if travelling in reverse. Should a failure occur during operation use the emergency stop brake pedal situated on the left hand side and forward of where your foot would normally rest during normal operation.

TO BRAKE (WITH ENGINE STOPPED):

Use foot brake pedal only.

Damage to clutch cone will occur if clutch pedal is used to brake the machine with the engine stationary.

PARKING AND TRANSPORTATION BRAKE:

Depress the lever protruding out of the left hand mudguard downward and shift the lever to the left to engage the brake. Depress and shift to the right to release.

Do not engage parking brake unless the machine has completely stopped.

Do not attempt to drive with park brake engaged damage will occur to clutch plates and/or large drive sprockets.

CUTTING HEIGHT ADJUSTMENT:

The height adjustment lever is located on the left hand side of the machine and may be altered to suit varying conditions, while the machine is in motion.

NOTE: When mowing slopes, keep clutch pedal in forward or reverse, depending on direction of travel. The low gearing will prevent it from picking up excessive speed. If very steep it may be necessary to throttle back slightly and/or, apply light clutch pedal pressure to the opposite clutch plate. I.e. move clutch pedal into reverse when going forward down slope or into forward when reversing down slope.

AVOID HOLDING MACHINE STATIONARY ON SLOPES USING CLUTCH WITH ENGINE RUNNING AS DAMAGE WILL OCCUR TO CLUTCH PLATES.

**BLOCKED CATCHER CHUTE (30" REAR DISCHARGE):
DISENGAGE CUTTER, STOP ENGINE REMOVE
CATCHER TO CLEAR DISCHARGE CHUTE**

MAINTENANCE INSTRUCTIONS

It is the owner's responsibility to ensure that all-periodical checks, necessary adjustments and services are carried out.

STOP ENGINE - Never attempt any maintenance with the engine running, remove spark plug lead and ensure the blades have stopped rotating.

1. OIL CHANGING (ENGINE):

See Engine Maintenance/Instructions Sheet and carry out as per Engine Manufacturers Recommendation. (SAE 30 Oil)

2. LUBRICATION OF MACHINE:

Lubrication of machine must be carried out every 25 hours of operation or once a month, whichever falls first. More frequently when operated under adverse conditions.

A. OILING: A few drops of oil should be placed at the following points:

Steering linkage, disengaging linkages, height adjustment mechanism, pivot bolt and linkages on clutch arm and clutch pedal.

B. CHAIN:

Use only chain lube for lubrication of the drive and steering chains.

C. GREASE POINTS:

Grease nipples are located on top of the front wheel stub axle.

Under no circumstances allow grease or oil to come into contact with the Clutch Cone or Clutch Plates. Should this problem occur, clean off immediately with petrol whilst surface areas are cool and allow to dry before operating machine.

3. TO CHECK BLADES:

Stop engine. Remove spark plug lead. Side Discharge Only, lift deflector and height adjustment control to highest position. If necessary simply remove the blade bolt and nut using a suitable spanner and replace worn parts.

4. ENGINE TO CLUTCH VEE BELT ADJUSTMENT:

Loosen the four engine mounting bolts. Move engine forward and adjust belt firmly. Do not over tension. While maintaining tension on the engine re-tighten bolts. Check belt tension at machine service period (25hrs) or more frequently under heavy mowing conditions.

5. CLUTCH TO CUTTER VEE BELT ADJUSTMENT:

Tension is automatically adjusted by the belt tensioning springs. However, as the belt stretches it will be necessary to lower the rear of the cutter housing by loosening the rear lifting link nut, and vice versa when a new belt is fitted.

6. CUTTER BRAKE ASSEMBLY ADJUSTMENT:

With disengagement handle in engaged position and mowing attachment in low cut, normal clearance between cutter head pulley and cutter head brake pad is approximately 3mm (1/8"). To adjust clearance, remove 'R' pin from brake pull rod, adjust to give required clearance, replace brake pull rod and 'R' pin. Check operation after adjustment.

7. CLUTCH PLATE ADJUSTMENT:

Periodically it will be found necessary to adjust the clutch plates as the clutch cone wears. Carry out this operation, with engine off and cutter in the engaged position. Engage and disengage the cutter lever a few times and leave in the engaged position, this will centre the clutch arm assembly into the neutral position. Loosen the four square head set screws on the clutch plates using tube spanner (AM006C1)

and tommy bar (AM007). Insert the clearance gauges supplied, one between the forward clutch plate and cone and the other between the reverse clutch plate and cone and hook them onto the intershaft. Slide both clutch plates against the clearance gauges and clutch cone. Tighten the set screws firmly onto the flat on the intershaft. Remove gauges.

8. DISENGAGING ADJUSTMENT:

With the engine switched off, engage the mowing attachment, then fully lower. Place a straight edge vertically against the front of the front axle beam and in line with the disengagement lever. Measure the distance between the straight edge and the 8mm dia pin fitted with the small 'R' pin for the threaded adjuster. Disengage mowing attachment and using the same method, check the new distance. The difference should be 20 - 22mm. Engage mowing attachment, remove 'R' pin and adjust threaded adjuster accordingly. Install 'R' pin and re-check measurement. Due to normal wear in clutch to cutter vee belt, the disengagement lever will move lower and touch the foot rest. When this occurs the amount of travel will need to be re-adjusted. If a new vee belt is installed the above settings will apply.

Start engine and raise cutter to full height stop, cutter belt should not engage. If this occurs switch off engine, engage cutter then screw adjuster out 1 - 2 turns then retest.

9. DRIVE CHAIN:

Machines are fitted with automatic chain adjusters. No adjustment is required. Replace chain when chain has sagged enough to expose half the depth of the teeth on the bottom of the large sprocket. Failure to replace worn chain will cause premature wear of sprockets.

10. TO ADJUST STEERING CHAIN:

Adjust chain by loosening the four bolts which hold the steering idler shaft mounting brackets (AM255) in position, slide forward to tension chain then retighten bolts.

11. TO REMOVE MOWING ATTACHMENT:

Fully lower mowing attachment and engage, remove weight compensating spring, remove 'R' pin from rear lifting link and disconnect, remove 'R' pin from cutter brake adjusting rod and disconnect, disengage mowing attachment, remove belt, remove front pivot pin. Turn steering wheel to the left to slide out mowing attachment. To refit, reverse the above.

12. TYRE PRESSURE:

140 Kpa (20.P.S.I.) approximately front and rear. Uneven pressure can give an uneven finish when mowing and may cause damage to tyres and/or tubes.

13. BATTERY MAINTENANCE:

Maintain electrolyte fluid level just above plates by topping regularly with distilled water. When not in use, a battery discharges by as much as 1% a day, more when the climate is warm. To make up for this loss, a boosting charge should be given once a month. Disconnect battery terminals to charge, then allow to stand minimum 1/2hr before re-connecting (re-check electrolyte level). If a battery is not used for a period of more than three (3) months, the terminals should be disconnected and trickle charged at two (2) amps for two (2) hours once every three (3) months or before use.

14. SEAT ADJUSTMENT:

Loosen four seat mounting bolts and slide seat into desired position in slots and re-tighten bolts.

15. GENUINE SPARE PARTS:

Always use Genuine Cox Factory Made Spare Parts. Use of non-genuine COX spares will void your warranty.

16. SAFETY FIRST:

The use of any mechanical appliance can cause injury if incorrect procedures are used. Please ensure that all family members of intended operators read this manual thoroughly.

CHECK FOR LOOSE FASTENERS - TORQUE SETTINGS

1/4" UNC BOLT/NUT	10Nm (84lbf in)	6mm BOLT/NUT	9Nm (80lbf in)
5/16" UNC BOLT/NUT	20Nm (180lbf in)	20mm NUT	100Nm (74lbf ft)
3/8" UNC BOLT/NUT	36Nm (27lbf ft)	5/8" UNF NUT	100Nm (74lbf ft)
7/16" UNF BOLT	68Nm (50lbf ft)		

MAINTENANCE SCHEDULE

BEFORE EACH USE

- | | |
|---|---|
| Check engine oil level, adjust if required | Check engine air cleaner foam pre-cleaner, service if req |
| Check engine rotating screen/finger guard, clean if required | Check operation of safety switches, service if req |
| Check engine air inlet console screen, clean if required | Check foot brake operation, adjust if required. |
| Check tyre pressures, adjust if required | Check for loose fasteners, tighten if required |
| Grease stub axles (make sure grease exudes stub axle bush). | |
| Check mowing attachment cutter blades, bolts, nuts, disc/s, housing, and guards for wear or damage, replace if required | |

BEFORE STORAGE

Change engine oil - Clean machine - Lubricate as required

EVERY 5 HOURS

- | | |
|---|---|
| Check engine oil level, adjust if required | Check engine air cleaner foam pre-cleaner, service if required. |
| Check engine rotating screen/finger guard, clean if required. | |
| Check engine air inlet console screen, clean if required* | |
| Lubricate machine as per maintenance instructions section 2 | |
- *Service more often under dusty conditions, or where air born debris is present

1 MONTH OR 5 HOURS which ever occurs first

- | | |
|---|---|
| Change engine oil | Check engine air cleaner foam pre-cleaner, service if required |
| Check engine rotating screen/finger guard, clean if required | Check engine air inlet console screen, clean if required |
| Check foot brake operation, adjust if required | Check operation of safety switches, service if required |
| Check tyre pressures, adjust if required | Grease stub axles (make sure grease exudes top & bottom stub axle bush). |
| Check mowing attachment cutter blades, bolts, nuts, disc/s, housing, and guards for damage, replace if required | Check clutch arm action, adjust if required |
| Check for loose fasteners, tighten if required | Check and adjust engine to clutch vee belt if required. |
| | Check clutch to cutter vee belt and adjust cutter housing level if required |

DATE / / HOURS.....DEALER.....

3 MONTHS OR 25 HOURS which ever occurs first

- | | |
|---|---|
| Change engine oil if operating under heavy load or high ambient temperature | Check engine air cleaner foam pre-cleaner, service if required * |
| Check engine rotating screen/finger guard, clean if required * | Check engine air inlet console screen, clean if required * |
| Check foot brake operation, adjust if required | Check operation of safety switches and replace if required |
| Check tyre pressures, adjust if required | Grease stub axles (make sure grease exudes top & bottom stub axle bush). |
| Check mowing attachment cutter blades, bolts, nuts, disc/s, housing, and guards for wear or damage, replace if required | Check for loose fasteners, tighten if required |
| Check battery condition, service if required | Check and adjust engine to clutch vee belt if required.. |
| | Check clutch to cutter vee belt and adjust cutter housing level if required |

*Service more often under dusty conditions, or where air borne debris is present

DATE / / HOURS.....DEALER/ CUSTOMER.....

6 MONTHS OR 50 HOURS which ever occurs first

- | | |
|---|---|
| Change engine oil | If fitted clean engine exhaust spark arrester |
| Check engine air cleaner foam pre-cleaner, service if required * | Check engine rotating screen/finger guard, clean if required * |
| Check foot brake operation and lining for wear, adjust or replace if required | Check for loose fasteners, tighten if required |
| Check operation of safety switches, service if required | Check tyre pressures, adjust if required |
| Grease stub axles (make sure grease exudes top & bottom stub axle bush) | Check steering chain and sprockets for wear, adjust if required |
| Check mowing attachment cutter blades, bolts, nuts, disc/s, housing, and guards for wear or damage, replace if required | Check clutch arm action, adjust if required |
| Check drive chain and sprockets for wear, replace if required | Check belts for wear or damage, replace if required |
| Check drive clutch plates and cone for wear or damage, adjust or service if required | If fitted check mowing attachment brake pad for wear, replace if required |
| | Check battery condition, service if required |
| | Check and adjust engine to clutch vee belt if required.. |
| | Check clutch to cutter vee belt and adjust cutter housing level if required |

* Service more often under dusty conditions, or where air borne debris is present

DATE / / HOURS.....DEALER.....

9 MONTHS OR 75 HOURS which ever occurs first

- Change engine oil if operating under heavy load or high ambient temperature
- Check engine rotating screen/finger guard, clean if required *
- Check foot brake operation, adjust if required
- Check tyre pressures, adjust if required (bush).
- Check mowing attachment cutter blades, bolts, nuts, disc/s, housing, and guards for wear or damage, replace if required
- Check clutch to cutter vee belt and adjust cutter housing level if required

- Check engine air cleaner foam pre-cleaner, service if required *
- Check engine air inlet console screen, clean if required *
- Check operation of safety switches and replace if required
- Grease stub axles (make sure grease exudes top & bottom stub axle)
- Check battery condition, service if required
- Check for loose fasteners, tighten if required
- Check and adjust engine to clutch vee belt if required.

*Service more often under dusty conditions, or where air borne debris is present

DATE / / HOURS.....DEALER/ CUSTOMER.....

12 MONTHS OR 100 HOURS which ever occurs first

- If fitted replace engine oil filter
- Check engine spark plug, clean, adjust, or replace if required
- Check engine air cleaner foam pre-cleaner, service if required *
- Clean engine cooling system*
- Replace in-line fuel filter
- Grease stub axles (make sure grease exudes top & bottom stub axle bush).
- Check operation of safety switches, service if required
- Check drive chain and sprockets for wear, replace if required
- Check mowing attachment cutter blades, bolts, nuts, disc/s, housing, and guards for wear or damage, replace if required
- Re-tension rear wheel adaptor retaining nuts
- Check drive clutch plates and cone for wear or damage, adjust or service if required

- Change engine oil
- If fitted clean engine exhaust spark arrester
- Check engine air cleaner cartridge, service if required*
- Check clutch arm action, adjust if required
- Check foot brake operation and lining for wear, adjust or replace if req
- Check for loose fasteners, tighten if required
- Check tyre pressures, adjust if required
- Check steering chain on sprockets or wear, adjust if required
- Check belts for wear or damage, replace if required
- Check clutch arm action, adjust if required
- Check battery condition, service if required
- Check and adjust engine to clutch vee belt if required.
- Check clutch to cutter vee belt and adjust cutter housing level if required

* Service more often under dusty conditions, or where air borne debris is present

DATE / / HOURS.....DEALER.....

15 MONTHS OR 125 HOURS which ever occurs first

- Change engine oil if operating under heavy load or high ambient temperature
- Check engine rotating screen/finger guard, clean if required *
- Check foot brake operation, adjust if required (bush).
- Check tyre pressures, adjust if required
- Check mowing attachment cutter blades, bolts, nuts, disc/s, housing, and guards for wear or damage, replace if required
- Check for loose fasteners, tighten if required

- Check engine air cleaner foam pre-cleaner, service if required *
- Check operation of safety switches and replace if required
- Grease stub axles (make sure grease exudes top & bottom stub axle)
- Check battery condition, service if required
- Check clutch to cutter vee belt and adjust cutter housing level if required
- Check and adjust engine to clutch vee belt if required.

*Service more often under dusty conditions, or where air borne debris is present

DATE / / HOURS.....DEALER/ CUSTOMER.....

18 MONTHS OR 150 HOURS which ever occurs first

- Change engine oil
- If fitted clean engine exhaust spark arrester
- Check engine air cleaner foam pre-cleaner, service if required *
- Check engine rotating screen/finger guard, clean if required *
- Check engine air inlet console screen, clean if required *
- Check foot brake operation and lining for wear, adjust or replace if required
- Check operation of safety switches, service if required
- Check tyre pressures, adjust if required
- Grease stub axles (make sure grease exudes top & bottom stub axle bush)
- Check steering chain on sprockets or wear, adjust if required
- Check mowing attachment cutter blades, bolts, nuts, disc/s, housing, and guards for wear or damage, replace if required

- Check belts for wear or damage, replace if required
- Check drive chain and sprockets for wear, replace if required
- If fitted dismantle, clean, re-grease, and reassemble differential
- If fitted check mowing attachment brake pad for wear, replace if required
- Check drive clutch plates and cone for wear or damage, adjust or service if required
- Check clutch arm action, adjust if required
- Check battery condition, service if required
- Check for loose fasteners, tighten if required
- Check and adjust engine to clutch vee belt if required.
- Check clutch to cutter vee belt and adjust cutter housing level if required

* Service more often under dusty conditions, or where air borne debris is present

DATE / / HOURS.....DEALER.....

21 MONTHS OR 175 HOURS which ever occurs first

- Change engine oil if operating under heavy load or high ambient temperature
- Check engine air cleaner foam pre-cleaner, service if required *
- Check engine rotating screen/finger guard, clean if required *
- Check foot brake operation, adjust if required
- Check operation of safety switches and replace if required
- Check tire pressures, adjust if required

- Grease stub axles (make sure grease excludes top & bottom stub axle bush)
- Check mowing attachment cutter blades, bolts, nuts, discs, housing, and guards for wear or damage, replace if required
- Check battery condition, service if required
- Check for loose fasteners, tighten if required
- Check clutch to cutter vee belt and adjust cutter housing level if required
- Check and adjust engine to clutch vee belt if required.

*Service more often under dusty conditions, or where air borne debris is present

DATE / / HOURS.....DEALER/ CUSTOMER.....

24 MONTHS OR 200 HOURS which ever occurs first

- If fitted replace engine oil filter
- Change engine oil
- Check engine spark plug, clean, adjust, or replace if required
- If fitted clean engine exhaust spark arrestor
- Check engine air cleaner foam pre-cleaner, service if required *
- Check engine air cleaner cartridge, service if required
- Clean engine cooling system*
- Check foot brake operation and lining for wear, adjust or replace if required
- Check operation of safety switches, service if required
- Check tire pressures, adjust if required
- Grease stub axles (make sure grease excludes top & bottom stub axle bush)
- Check steering chain an sprockets or wear, adjust if required

- Check mowing attachment cutter blades, bolts, nuts, discs, housing, and guards for wear or damage, replace if required
- Check belts for wear or damage, replace if required
- Check drive chain and sprockets for wear, replace if required
- Check drive clutch plates and cone for wear or damage, adjust or service if required
- Check clutch arm action, adjust if required
- Check battery condition, service if required
- Check for loose fasteners, tighten if required
- Check and adjust engine to clutch vee belt if required.
- Check clutch to cutter vee belt and adjust cutter housing level if required

* Service more often under dusty conditions, or where air borne debris is present

DATE / / HOURS.....DEALER.....

27 MONTHS OR 225 HOURS which ever occurs first

- Change engine oil if operating under heavy load or high ambient temperature
- Check engine air cleaner foam pre-cleaner, service if required *
- Check engine rotating screen/finger guard, clean if required *
- Check foot brake operation, adjust if required
- Check operation of safety switches and replace if required
- Check tire pressures, adjust if required

- Grease stub axles (make sure grease excludes top & bottom stub axle bush)
- Check mowing attachment cutter blades, bolts, nuts, discs, housing, and guards for wear or damage, replace if required
- Check battery condition, service if required
- Check for loose fasteners, tighten if required
- Check clutch to cutter vee belt and adjust cutter housing level if required
- Check and adjust engine to clutch vee belt if required.

*Service more often under dusty conditions, or where air borne debris is present

DATE / / HOURS.....DEALER/ CUSTOMER.....

30 MONTHS OR 250 HOURS which ever occurs first

- Change engine oil
- If fitted clean engine exhaust spark arrestor
- Check engine air cleaner foam pre-cleaner, service if required *
- Check engine rotating screen/finger guard, clean if required *
- Check foot brake operation and lining for wear, adjust or replace if required
- Check operation of safety switches, service if required
- Check tire pressures, adjust if required
- Grease stub axles (make sure grease excludes top & bottom stub axle bush)
- Check steering chain an sprockets or wear, adjust if required
- Check mowing attachment cutter blades, bolts, nuts, discs, housing, and guards for wear or damage, replace if required

- Check belts for wear or damage, replace if required
- Check drive chain and sprockets for wear, replace if required
- Check drive clutch plates and cone for wear or damage, adjust or service if required
- Check clutch arm action, adjust if required
- Check battery condition, service if required
- Check for loose fasteners, tighten if required
- Check and adjust engine to clutch vee belt if required.
- Check clutch to cutter vee belt and adjust cutter housing level if required

* Service more often under dusty conditions, or where air borne debris is present

DATE / / HOURS.....DEALER.....

33 MONTHS OR 275 HOURS which ever occurs first

- Change engine oil if operating under heavy load or high ambient temperature
- Check engine air cleaner foam pre-cleaner, service if required *
- Check engine rotating screenvfinger guard, clean if required *
- Check foot brake operation, adjust if required
- Check operation of safety switches and replace if required
- Check tire pressures, adjust if required

- Grease stub axles (make sure grease exudes top & bottom stub axle bush)
- Check mowing attachment cutter blades, bolts, nuts, discs, housing, and guards for wear or damage, replace if required
- Check battery condition, service if required
- Check for loose fasteners, tighten if required
- Check clutch to cutter vee belt and adjust cutter housing level if required
- Check and adjust engine to clutch vee belt if required.

*Service more often under dusty conditions, or where air borne debris is present

DATE / / HOURS.....DEALER/ CUSTOMER.....

36 MONTHS OR 300 HOURS which ever occurs first

- If fitted replace engine oil filter
- Change engine oil
- Check engine spark plug, clean, adjust, or replace if required
- If fitted clean engine exhaust spark arrestor
- Check engine air cleaner foam pre-cleaner, service if required *
- Check engine air cleaner cartridge, service if required
- Clean engine cooling system*
- Check foot brake operation and lining for wear, adjust or replace if required
- Check operation of safety switches, service if required
- Check tire pressures, adjust if required
- Grease stub axles (make sure grease exudes top & bottom stub axle bush)
- Check steering chain and sprockets for wear, adjust if required

- Check mowing attachment cutter blades, bolts, nuts, discs, housing, and guards for wear or damage, replace if required
- Check bolts for wear or damage, replace if required
- Check drive chain and sprockets for wear, replace if required
- Check drive clutch plates and cone for wear or damage, adjust or service if required
- Check clutch arm action, adjust if required
- Check battery condition, service if required
- Check for loose fasteners, tighten if required
- Check and adjust engine to clutch vee belt if required.
- Check clutch to cutter vee belt and adjust cutter housing level if required

* Service more often under dusty conditions, or where air borne debris is present

DATE / / HOURS.....DEALER.....

We are proud that you have purchased a Cox product and urge you to follow these instructions to obtain the maximum life for your machine. If in doubt check with your supplier.