



RIDE-ON MOWER

OWNER/OPERATORS MANUAL

Model A14311M

C1632BS-16.5hp Briggs & Stratton 805mm (32") Cut
C1638BS-16.5hp Briggs & Stratton 960mm (38") Cut
C1932BS-19.5hp Briggs & Stratton 805mm (32") Cut
C1938BS-19.5hp Briggs & Stratton 960mm (38") Cut

Model A14511M

C1332HS-13.0hp Honda 805mm (32") Cut
C1632HS-16.0hp Honda 960mm (32") Cut
C1638HS-16.0hp Honda 960mm (38") Cut

Model A14411M

C1632BRBS-16.5hp Briggs & Stratton 805mm (32") Cut Rear Bagger

READ THIS MANUAL BEFORE OPERATING MACHINE

DEATH, PERSONAL INJURY AND/OR PROPERTY DAMAGE MAY OCCUR UNLESS INSTRUCTIONS IN THIS MANUAL ARE FOLLOWED

NOTE: Bring this Manual when Service & or Warranty work is required.

TABLE OF CONTENTS

OWNERS INFORMATION	3
SAFETY INSTRUCTIONS	4
REAR BAGGER LOOSE PARTS	5
PRE-DELIVERY INSTRUCTIONS.....	6
REAR BAGGER CATCHER ASSEMBLY	7
OPERATING INSTRUCTIONS.....	8
MAINTENANCE INSTRUCTIONS	9
MAINTENANCE SCHEDULE	10

PARTS LISTS

Body Components	14
16.5HP, 19.5HP B&S & 13HP Honda Only (not rear discharge C1632BRBS)	
Body Components 16HP Honda Only	16
Body Components Rear Discharge Only	18
Engine Ancillary Components B&S Engines ONLY	20
Engine Ancillary Components 13HP Honda.....	22
Engine Ancillary Components 16HP Honda.....	24
16.5HP, 19.5HP B&S and 13HP HONDA Electrical Components Schematic	26
16HP Honda Only Electrical Components Schematic	28
Steering Components	30
Model A14311M, A14511M:- Rear Axle Drive Components	32
Model A14411M:- 16.5HP Rear Discharge—Control and Drive Components.....	34
Transmission Components	36
Model A14311M:- Clutch Arm Components (C1632BS Only).....	38
Model A14311M, A14511M & A14411M:-Clutch Arm Components	40
(C1632BRBS, C1332HS, C1638HS, C1832BS ONLY—NOT C1632BS)	
Cutter Control Components.....	42
Model A11308F:- 805 mm (32") Mowing Attachment.....	44
Model A12808G:- 805mm (32") Rear Discharge Mowing Attachment.....	46
Model A12908K:- Rear Catcher Components	48
Model A15211M:- 960 mm (38") Mowing Attachment.....	50
Model A15211M:- 960mm (38") Cutter Attachment Drive Components	52
Decals	54

OWNERS INFORMATION

COX MODEL NO: _____

COX INVENTORY CODE NO: _____

COX SERIAL NO: _____

Located on Label inside Transmission Housing

B&S ENGINE MODEL NO: _____ TYPE: _____ CODE: _____

Located on Engine refer Engine Owners Manual

HONDA ENGINE MODEL NO: _____ SERIAL NO: _____

Located on Engine refer Engine Owners Manual

DATE OF PURCHASE: _____

OWNERS NAME: _____

ADDRESS: _____

TOWN/CITY: _____ STATE: _____

AUTHORISED COX DEALER/
DISTRIBUTOR: _____

ADDRESS: _____

TOWN/CITY: _____ STATE: _____

PRE DELIVERY CHECK LIST

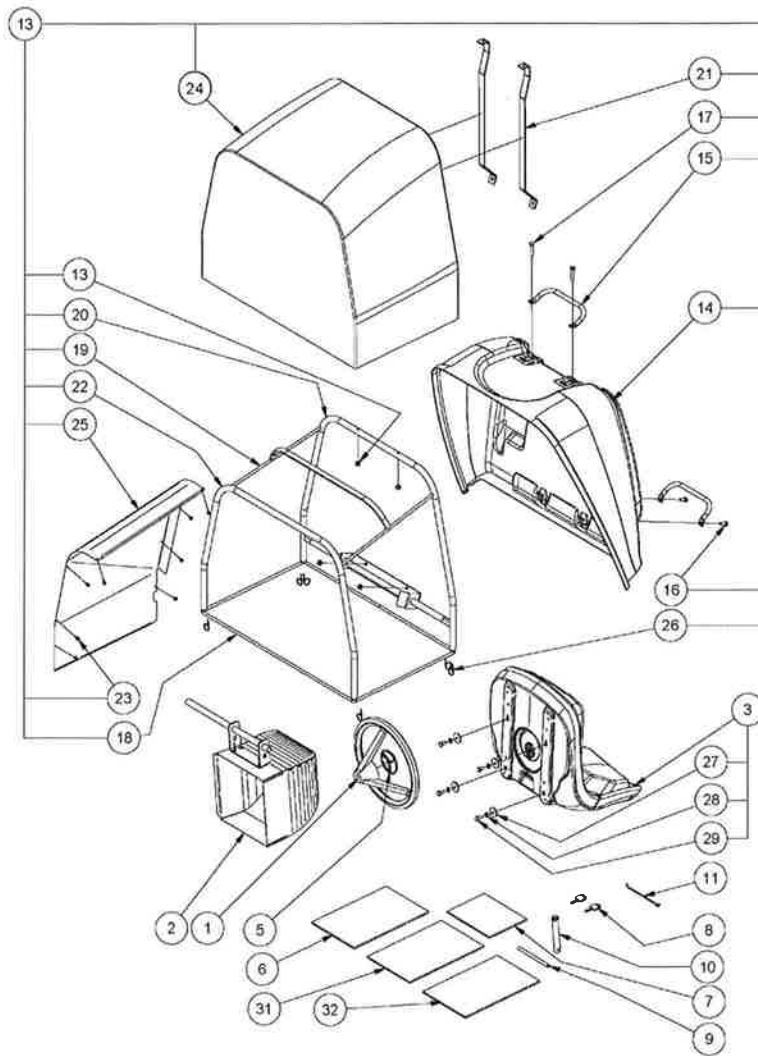
Check parts Assemble Service Instruction

ALWAYS KEEP THIS MANUAL IN A SAFE PLACE.

SAFETY INSTRUCTIONS

- Read, understand, & follow all instructions in the Owner/Operators manual.
- Know the controls and how to stop the engine quickly in an emergency.
- Allow only responsible adults, who are familiar with the instructions in this manual, to operate the machine.
- Clear the area to be mowed of loose objects such as sticks, stones, bones, wire, toys, debris, etc., which could be picked up and thrown by the blades.
- DO NOT mow whilst people, especially children, or pets are in the mowing area.
- DO NOT mow either direction on slopes beyond 15 degrees, (1 in 3.75), (27%).
- Exercise extreme caution on slopes.
- Reduce speed on slopes and in sharp turns to prevent overturning or loss of control.
- Start or stop slowly when on slopes.
- Mow up and down slopes, not across the slope.
- Stay alert for holes or bumps in the terrain and other hidden hazards.
- Use care when pulling loads-
 - a] Use only approved hitch point;
 - b] limit loads to those you can safely control;
 - c] Do not turn sharply;
 - d] use care when backing up.
- Watch out for traffic when crossing or operating the mower near roadways.
- Stop the blades rotating before crossing surfaces other than grass.
- When using attachments, never direct discharge of material toward bystanders nor allow anyone near the machine while it is in operation.
- Before leaving the operators position-
 - a] Disengage all clutches and secure cutting units;
 - b] Return drive pedal to neutral position and set the parking brake;
 - c] Stop the engine and remove the key.
- Disengage drive to attachments and stop engine-
 - a] Before refueling.
 - b] Before removing grass-catcher;
 - c] Before clearing blockages from chute;
 - d] Before checking, cleaning or working on the mower;
 - e] After striking a foreign object (check the mower for damage and make repairs before restarting and operating the equipment);
 - f] If machine starts to vibrate abnormally (check immediately).
- Disengage drive to attachments when transporting or not in use.
- A mower operator should be in good physical and mental health and not under the influence of alcohol or any drug which might impair vision, co-ordination or judgment.
- Never mow while barefoot or wearing open sandals or thongs. Wear long trousers and heavy shoes.
- It is advisable to wear suitable eye protection when operating a mower.
- Mow only in daylight or good artificial light.
- Before using, always visually inspect to see that blades, bolts and cutter assembly are not worn or damaged. Replace worn or damaged blades and bolts in sets to preserve balance.
- Check all nuts, bolts, and screws often; always be sure the mower is in safe operating condition.
- Keep safety devices (guards and switches) in place and in working order.
- Never use the mower unless the grass catcher, or guards provided by the manufacturer, are in position.
- Ensure any replacement parts used comply with the original manufacture's recommendations and specifications.
- Replace worn or faulty silencers.
- Keep machine free of grass, leaves or other debris, excessive oil, grease, or spilt fuel. These can be a fire hazard.
- Refuel outdoors only. Do not smoke while fueling engine. Never remove the cap of the fuel tank or add petrol while the engine is running or the engine is hot. Remove fuel cap slowly to relieve any tank pressure. If fuel is spilled, do not attempt to start the engine but move machine away from the area of the spill and avoid creating any source of ignition until fuel vapors have dissipated.
- Check for fuel leaks while refueling, before and while using the mower. If a fuel leak is found, do not start or run the engine until the fuel leak is fixed and spilled fuel is wiped away.
- Do not operate engine in a confined space where exhaust fumes (carbon monoxide) can collect.
- Always mount the mower from the left or the opposite side to the discharge chute.
- Start the engine carefully with the cutting means disengaged.
- Do not over-speed the engine or alter governor settings. Excessive speed is dangerous and shortens mower life.
- Stop the engine whenever you leave the mower, even for a moment.
- Store the mower in a well-ventilated room away from naked flames such as may be found in hot water heaters.
- Do not lend or sell the mower, without the owners/operators Manual.

Loose Parts A12808L 16.5HP Rear Bagger



ITEM	PART NUMBER	DESCRIPTION	QTY
1	SW13	Steering Wheel	1
2	A128060	Deflector, Discharge, Rear, 805(32")	1
3	A122110	Seat	1
4	95112	Cushion, Bottom, Seat, Medium, Red	1
5		Steering Wheel, Cover	1
6		Manual, Owner, Ride-On Mower, Stockman 3	1
7		Warranty Card-Reply Paid	1
8	90134	Key, Ignition Switch, Vinyl Covered, Steel	2
9	AM007	Bar, Tommy, 9.5x150, Znpl	1
10	AM295	Spanner, Tube, Spark Plug, 5/8"Af, Znpl	1
11	13127	Hook, Spring Pull	1
12	A129000	Sub-Assy, Catcher, Grass, Bag, Rear, 200l	1
13	NM8NT	Nut, Hex, Nyloc, Thin, M 8, Pc6, Znpl	4
14	A102003	Cover, Catcher, Plastic, Red	1
15	14154	Handle, Front, Grass Catcher, Black	2
16	SH0825M	Screw, Hex, M 8x 20, Pc8.8, Znpl	2
17	B0840M	Bolt, Hex, M8x40, Pc8, Znpl	2
18	13312	Front, Catcher Frame, 150l	1
19	A129018	Frame, Rear, Black	1
20	A129005B	Frame, Upper, 165l, Black	1
21	A129021B	Bar, Tunnel, Top, Black	2
22	A129002B	Frame, Lower, 165l, Black	1
23	ST0808D	Screw, Hex Washer, Seal, Drill, #8-18x12, Gal	8
24	A129014	Bag, Catcher, Grass, Rear, 165l	1
25	A129061B	Deflector, Inner, Side, Black	1
26	CABLETTIES	Cable Ties 100mm X 2.5 Black	6
27	W052003	Washer, Flat, Black, 5/16"X1-1/4"X3, Znpl	4
28	WS050216	Washer, Lock, Spring, 5/16"X1/8"X1/16", Znpl	4
29	SH0816M	Screw, Hex, M 8x 16, Pc8.8, Znpl	4
30	PD006	Instruct, Pre-Delivery	1
31		Manual, Engine, Owner/Operator	1

PRE-DELIVERY INSTRUCTIONS

INTRODUCTION:

The purpose of this procedure is to ensure the dealer/distributor has assembled & made the necessary checks, & adjustments, before the mower is operational, and instructed the owner in its safe operation & maintenance. This procedure begins upon receiving the crated mower and is finalised once the mower has been either sold or leaves the dealer/distributors premises. This is the minimum amount of work required, however it should not be limited to only the areas detailed in this procedure.

RESPONSIBILITY:

It is the responsibility of the dealer/distributors to ensure that before a mower is delivered to a customer, it is in perfect operational condition.

PROCEDURE:

CHECK SHIPPING CRATE & CONTENTS FOR DAMAGE

UNCRATE THE MOWER

CHECK COMPONENTS SUPPLIED IN SEAT PROTECTION BAG

Engine owners Manual	1
Owner/Operator Manual	1
Tube Spanner (AM006C1)	1
Tommy Bar (AM007)	1
Ignition Keys (AM015)	2
Spark plug tube Spanner (AM295 B&S or AM005G0 16HP Honda)	1
Spark plug Spanner 13HP Honda	1
Steering Wheel (SW13)	1
Roll Pin (DP10)	1
Drive cone clearance Gauges (13126)	2
Seat Springs (13060)	2
Screws M 8X 20	2
Seat spring Washers 5/16"	2
Nuts M 8 Nyloc	2
Warranty Card	1
Pre-delivery instruction Sheet	1

REMOVE SEAT PROTECTION BAG

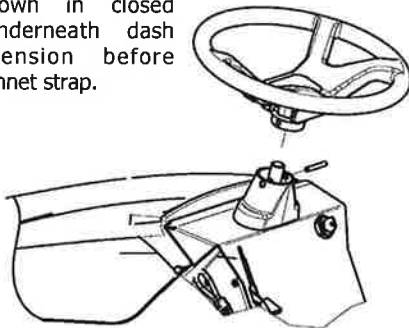
Remove the four screws, lock washers and plain washers securing the seat to the seat mount & remove the plastic bag from the seat. Install the four screws, spring washers, and plain washers, through the slots in the seat mount and adjusted the seat to the desired position using the slots provided, & tighten screws.

ASSEMBLE STEERING WHEEL TO MOWER

Roll Pin Type—To attach the steering wheel, align the hole in the steering wheel boss to the hole in the steering shaft and use a hammer and suitable punch to drive the DP10 roll pin in, through the hole in the steering shaft cover into the steering wheel and shaft. Ensure that the pin is situated centrally in the steering wheel boss and that the steering is free to turn.

Keyed Type— Remove tape attaching woodruff key to steering shaft. Remove the screw & washers attached to the steering shaft. Lubricate taper on steering shaft with grease or anti-seize. Place steering wheel with keyway aligned with woodruff key on shaft.

Bonnet shown in closed position underneath dash panel extension before attaching bonnet strap.



Roll Pin type steering wheel

Assemble the screw and washers onto the shaft with 1/2" a/f socket, extension & wrench & tighten to 23Nm. Press the steering wheel center cover into place using hand pressure only.

ASSEMBLE SEAT MOUNT & SEAT SPRINGS TO MOWER

Install the two seat springs using the screws, washers, nuts, to the brackets at the top rear of the Transmission Housing, and tighten the screws, and nuts.

Install the Seat & Mounting to the Transmission Housing using the Screws and Nuts.

CHECK TYRE PRESSURE

Before operation ensure that all tyre pressures are equal. The recommended pressure is 140 kpa (20 P.S.I.).

CHECK ENGINE OIL

Before operation ensure that engine oil level is to the full mark on the dipstick. (Refer engine owners manual for procedure & if some oil needs to be added refer Engine owners Manual for Correct Grade).

CHECK FUEL

Ensure the fuel tap at the bottom left side of fuel tank is turned to the on position before attempting to start engine. (Use unleaded fuel only).

Turn off fuel tap after use.

CHECK CLUTCH PLATE ADJUSTMENT

Engage and disengage the cutter disengage lever a few times and leave in the engaged position, this will centre the clutch arm assembly in the neutral position. Loosen the four square head set screws on the clutch plates using tube spanner (AM006C1) and tommy bar (AM007). Insert the clearance gauges supplied, one between the forward clutch plate and cone and the other between the reverse clutch plate and cone and hook them onto the intershaft. Slide both clutch plates against the clearance gauges and drive cone, tighten the set screws firmly onto the flat on the intershaft. Remove gauges.

CHECK SAFETY SWITCH OPERATION

Foot Switch - With cutter disengage lever in disengaged position, attempt to start the engine without depressing the foot switch. Engine should not start.

Disengagement Switch - While sitting on seat with foot on foot switch and cutter lever in engaged position, attempt to start the engine. Engine should not start.

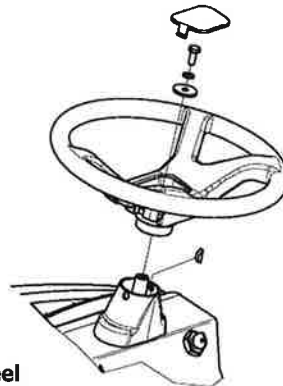
Start Switch

With Cutter Lever in disengaged position & foot switch depressed start engine.

Seat Switch - While sitting on seat with engine running engage cutter and lift weight from seat. Engine should cut out.

CHECK CUTTER BELT DISENGAGEMENT

Ensure that when the cutter belt is in the disengaged position that the belt does not overlap when squeezed together, if this occurs adjust the cutter engage lever until correct disengagement is achieved.



Keyed type steering wheel

A12808L 16.5HP Rear Bagger Catcher Assembly



1/ Clean tubes with emery paper. Place the front frame with the short tubes in each corner on a flat surface with the short tubes up.



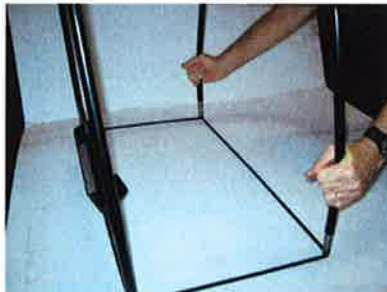
2/ Fit the upper frame over the outward leaning front frame short tubes. **Note: The two holes in the upper frame near the bent corners must face inwards.**



3/ Install the rear frame by inserting hook side of rear frame into upper frame, opposite side to tilt lever mount bracket.



4/ Insert hook side into lower frame.



5/ Fit the lower frame over the two short tubes of the front frame which lean inwards. **Note: Make sure the two holes in the sides of the lower frame**



6/ Ensure tilt lever is angled toward front frame before fitting M8x20 screws and nyloc nuts.



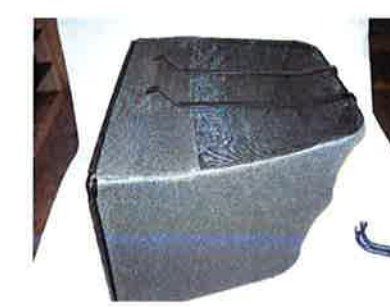
8/ Feed the bag over the assembled frame with the plain plastic base against the lower frame (bottom of the catcher).



9/ Turn catcher over then clip the bag onto the front frame.



10/ Using a small soldering iron melt through the mesh at the four bolt holes in the upper frame to suit the handle bolts.



11/ Fit braces as shown.

12/ Place the catcher cover over the assembled bag and frame, line up bolt holes. Using the two M8x40 screws & nyloc nuts fit one handle to the rear of the catcher with the handle holes facing down and handle leaning toward the rear.



13/ Using the two M8x20 screws and nyloc nuts fit the other handle to the front of the catcher with the handle holes facing forward. Tighten all four handle screws.

14/ Use the cable ties in the top & bottom corners if necessary to close any gaps which may occur between the bag and frame.

15/ Install catcher onto the machine and adjust the mounting brackets so the top front edge of the catcher bag makes contact with the top lip of the mounting panel when the catcher is closed.

OPERATING INSTRUCTIONS

IMPORTANT

RECOMMENDED FUEL

Unleaded fuel is recommended by all manufacturers of engines fitted to Cox products.

DRIVE PRESSURE

Ensure when applying pressure to the drive pedal the wheels start rotating, failure to adhere to this will result in clutch plate and clutch cone damage.

SAFETY SWITCHES

Before operating machine, ensure that all safety switches are operating correctly. Do not operate machine with faulty, missing or damaged safety switches.

STARTING MACHINE

When starting machine, place right heel on foot switch located on rear of footrest. Ensure that cutter is disengaged, otherwise electric starter motor will not engage. If engine is cold move engine speed control to choke start position and return to desired engine speed setting when engine starts. Do not attempt to operate engine with engine speed control lever in choke position. (Note electric start engines fitted with recoil can be manually started with cutter disengaged and ignition on).

BLADE WARNING

Do not use mowing attachment with broken or bent blades, damaged or worn bolts and nuts or damaged cutter disc, otherwise damage and premature wear will result from vibration. Replace blades, bolts and nuts only in pairs to maintain correct balance. Recommended blade nut torque is 36-40Nm. Do not over tighten.

Keep both feet and hands clear of the mowing attachment at all times while attempting to start or operate the machine.

WARNING

DO NOT OPERATE WITHOUT MOWING ATTACHMENT DEFLECTOR FITTED & DOWN OR DO NOT OPERATE WITHOUT GRASS CATCHER FITTED.

Safety footwear is recommended when operating machine. Mount and dismount only from left hand side of machine. Reference to left or right hand side of machine is determined by sitting in the operating position on the machine. Ensure machine has park brake engaged when attempting to start engine. Never allow engine revs to exceed more than 3600 RPM.

TO OPERATE

BEFORE STARTING/STOPPING:

See Engine Maintenance/Instruction Sheet. When stopping engine, disengage cutter, return engine speed control to slow position and switch off

DISENGAGING MOWING ATTACHMENT:

The cutter disengaging lever is situated on the right hand side by the steering column. Before starting, disengage mowing attachment by pulling lever fully back towards the operator.

For safety it is advisable at all times, other than when mowing, that the mowing attachment be kept in the disengaged position.

TO DRIVE FORWARD/REVERSE:

Engine speed is regulated by the engine speed control, set engine speed control to desired engine power. Press down on the forward section of the drive pedal for forward movement, on the rear of the drive pedal for reverse. The amount of pressure can be used to control the ground speed, especially in heavier conditions. When operating the mower on slopes greater than 10 degrees but less than 15 degrees for a prolonged period, you may experience minor clutch fade, should this occur, vary your mowing style eg: mow around some flat areas, then the slope followed by the flat area again. This will allow the drive to cool before travelling up the slope again.

N.B. Ensure that when pressure is applied to the drive pedal wheels are rotating or damage will occur to clutch plates.

MANOEUVRING:

Owing to the heel and toe type action of the drive pedal, it is possible to take the machine straight from forward to reverse and vice versa. This instant forward and reverse operation makes the machine very manoeuvrable and the sharpest turns can be negotiated easily and quickly.

TO BRAKE (WITH ENGINE RUNNING):

The drive pedal may be used to stop the machine. If travelling forward push the pedal into reverse until machine stops, then bring the pedal back to neutral position or vice versa if travelling in reverse. Should a drive failure occur during operation use the brake pedal situated on the left hand side and forward of where your foot would rest during normal operation.

TO BRAKE (WITH ENGINE STOPPED):

Use foot brake pedal only. Damage to drive cone will occur if drive pedal is used to brake the machine with the engine stopped.

PARKING AND TRANSPORTATION BRAKE:

Depress the lever protruding out of the left hand mudguard downward and shift the lever to the left to engage the park brake. Depress and shift to the right to release.

Do not engage parking brake unless the machine has completely stopped.

Do not attempt to drive with park brake engaged damage will occur to clutch plates and or large drive sprockets.

CUTTING HEIGHT ADJUSTMENT:

The height adjustment lever is located on the left hand side of the machine and may be altered to suit varying conditions, while the machine is in motion.

NOTE: When mowing slopes, keep drive pedal in forward or reverse, depending on direction of travel. The low gearing will prevent it from picking up excessive speed. If very steep it may be necessary to slow engine speed slightly and /or, apply light drive pedal pressure to the opposite drive direction. i.e. move drive pedal into reverse when going forward down slope or into forward when reversing down slope.

AVOID HOLDING MACHINE STATIONARY ON SLOPES USING DRIVE PEDAL WITH ENGINE RUNNING AS DAMAGE WILL OCCUR TO CLUTCH PLATES.

MAINTENANCE INSTRUCTIONS

It is the owner's responsibility to ensure that all-periodical checks, necessary adjustments, services and repairs are carried out.

STOP ENGINE - Never attempt any maintenance with the engine running, remove spark plug lead and ensure the blades have stopped rotating.

Before servicing, disconnect spark plug wire and ground it, disconnect battery at negative terminal, to prevent accidental starting.

1. OIL CHANGING & FILTER REPLACEMENT (ENGINE): See Engine Maintenance/Instructions Sheet and carry out as per Engine Manufacturers Recommendations.

SERVICING ENGINE AIR CLEANER FOAM PRE-CLEANER— See engine owners manual for correct method to check and service engine air cleaner foam pre-cleaner.

2. LUBRICATION OF MACHINE: Lubrication of machine must be carried out every 25 hours of operation or once a month, whichever occurs first. More frequently when operated under adverse conditions.

A. OILING: A few drops of oil should be placed at the following points: Steering linkage, disengaging linkages, height adjustment mechanism, pivot bolt and linkages on clutch arm and clutch pedal.

B. CHAIN: Use only chain lube for lubrication of the drive and steering chains.

C. GREASE POINTS: Grease nipples are located on top of the front wheel stub axle.

Under no circumstances allow grease or oil to come into contact with the Drive Cone or Clutch Plates. Should this problem occur, clean off immediately with petrol whilst surface areas are cool and allow to dry before operating machine.

3. TO CHECK BLADES: Stop engine. Remove spark plug lead. Side Discharge Only, lift deflector and height adjustment control to highest position. If necessary simply remove the blade bolt and nut using a suitable spanner and replace worn parts.

4. ENGINE TO CLUTCH VEE BELT ADJUSTMENT: Loosen the four engine mounting bolts. Move engine forward and adjust belt firmly. Do not over tension belt. While maintaining tension on the engine re-tighten bolts. Check belt tension at machine service period (25hrs) or more frequently under heavy mowing conditions.

5. CLUTCH TO CUTTER VEE BELT ADJUSTMENT: Tension is automatically adjusted by the belt tensioning springs.

6. CUTTER HEIGHT ADJUSTMENT: If the Mowing Attachment can not be positioned to give a satisfactory grass cut height using the available notches on the chassis the adjustable link can be used to raise the Mowing Attachment to the desired height. Position the mower on a smooth level surface and engage the mowing attachment, lock the park brake on, and lower the Mowing Attachment to the notch above the desired cut height. Place equal height spacers of the desired height under the mowing attachment that can support the mowing attachments weight and lower the Mowing Attachment onto them. Loosen the 2 Screws located together on the front of the Rear Link located below the front of the left foot rest. Push the Rear Link rearwards until it stops and retighten the 2 screws. Adjust the rear lifting link located on the middle rear of the mowing attachment by tightening the nut until it just lifts the rear of the mowing attachment of the spacers. Lift the Mowing attachment off the spacers and remove the spacers and check the cut height is as desired and the deck is level to slightly higher (3–5 mm) at the back. Adjust height again if required.

7. CUTTER BRAKE ADJUSTMENT: With disengagement handle in engaged position and mowing attachment in low cut, normal clearance between cutter head pulley and cutter head brake pad is approximately 3mm (1/8"). To adjust clearance, remove 'R' pin from brake pull rod, adjust to give required clearance, replace brake pull rod and 'R' pin. Check operation after adjustment.

8. CLUTCH PLATE ADJUSTMENT: Periodically it will be found necessary to adjust the clutch plates as the clutch cone wears. Carry out this operation, with engine off and cutter in the engaged position. Engage and disengage the cutter lever a few times and leave in the engaged position, this will centre the clutch arm assembly into the neutral position. Loosen the four square head set screws on the clutch plates using tube spanner (AM006C1) and tommy bar (AM007). Insert the clearance gauges supplied, one between the forward clutch plate and cone and the other between the reverse clutch plate and cone and hook them onto the intershaft. Slide both clutch plates against the clearance gauges and clutch cone, tighten the set screws firmly onto the flat on the intershaft. Remove gauges.

9. CUTTER DISENGAGING ADJUSTMENT: With the engine switched off, engage the mowing attachment, then fully lower. Place a straight edge vertically against the front of the front axle beam and in line with the disengagement lever. Measure the distance between the straight edge and the 8mm dia pin fitted with the small 'R' pin for the threaded adjuster. Disengage mowing attachment and using the same method, check the new distance. The difference should be 20 – 22mm. Engage mowing attachment, remove 'R' pin and adjust threaded adjuster accordingly. Install 'R' pin and re-check measurement. Due to normal wear in clutch to cutter vee belt, the cutter disengagement lever will move lower and touch the foot rest. When this occurs the amount of travel will need to be re-adjusted. If a new vee belt is installed the above settings will apply.

Start engine and raise cutter to full height stop, cutter belt should not engage. If this occurs switch off engine, engage cutter then screw adjuster out 1 – 2 turns then retest.

10. DRIVE CHAIN: Machines are fitted with automatic chain adjusters. No adjustment is required. Replace chain when chain has sagged enough to expose half the depth of the teeth on the bottom of the large sprocket. Failure to replace worn chain will cause premature wear of sprockets.

11. TO ADJUST STEERING CHAIN: Adjust chain by loosening the four bolts which hold the steering idler shaft mounting brackets (AM255) in position, slide forward to tension chain then retighten bolts.

12. TO REMOVE MOWING ATTACHMENT: Fully lower mowing attachment and engage, remove weight compensating spring, remove 'R' pin from rear lifting link and disconnect, remove 'R' pin from cutter brake adjusting rod and disconnect, disengage mowing attachment, remove belt, remove front pivot pin, Turn steering wheel to the left to slide out mowing attachment. To refit, reverse the above.

13. TYRE PRESSURE: 140 Kpa (20.P.S.I.) approximately front and rear. Uneven pressure can give an uneven finish when mowing and may cause damage to tyres and/or tubes.

14. BATTERY MAINTENANCE: When not in use, a battery discharges by as much as 1% a day, more when the climate is warm. To make up for this loss, a boosting charge should be given once a month. Disconnect battery terminals to charge, then allow to stand minimum 1/2hr before re-connecting (re-check electrolyte level). If a battery is not used for a period of more than three (3) months, the terminals should be disconnected and trickle charged at two (2) amps for two (2) hours once every three (3) months or before use.

15. SEAT ADJUSTMENT: Loosen four seat mounting bolts and slide seat into desired position in slots and re-tighten bolts.

16. REPLACE DRIVE CHAIN: Engage park brake, jack up rear of machine, and remove L/H wheel. Push chain tensioner arms, one at a time, away from chain and using a suitable spanner tighten pivot bolt lock nuts to hold them out. Release park brake then turn rear axle to bring chain into a suitable position for removal of the chain connecting link. Remove connecting link and chain. Inspect both sprockets for wear or damage, replace if necessary. Install new chain and connecting link with the link clip between the wheel and chain. Release pivot arm nuts until arm moves freely back to chain. Engage park brake, install wheel and lower machine.

17. CLEANING AND POLISHING POLYETHYLENE BONNET AND REAR MUDGUARD: To keep scratches on bonnet and mudguard to minimum, do not rub or brush off with bare hands, use a soft cloth or a light flow of compressed air. For dirt, wash with a steady stream of water only (no detergent), then blow off excess water with air. To polish remove excess dust or dirt. When surface is dry, spray on an automotive type plastic preservative and leave on for 30 to 60 seconds. Using a dry soft cloth (i.e. cheesecloth) wipe off to bring up lustre.

GENUINE SPARE PARTS: Always use Genuine Cox Factory Made Spare Parts. Use of non-genuine COX spares will void your warranty.

SAFETY FIRST: The use of any mechanical device can cause injury if incorrect procedures are used. Please ensure that all family members of intended operators read safety section of this manual thoroughly.

TORQUE SETTINGS

1/4" UNC BOLT/NUT	10Nm (84lbf in)
5/16" UNC BOLT/NUT	20Nm (180lbf in)
3/8" UNC BOLT/NUT	36Nm (27lbf ft)
7/16" UNF BOLT	68Nm (50lbf ft)
6mm BOLT/NUT	9Nm (80lbf in)
20mm NUT	100Nm (74lbf ft)
5/8" UNF NUT	100Nm (74lbf ft)

MAINTENANCE SCHEDULE

BEFORE EACH USE

Check engine oil level, adjust if required
Check engine air cleaner foam pre-cleaner, service if required
Check engine rotating screen/finger guard, clean if required
Check operation of safety switches, service if required
Check foot brake operation, adjust if required.
Check tyre pressures, adjust if required

Check for loose fasteners, tighten if required
Lubricate stub axles
Check mowing attachment cutter blades, bolts, nuts, disc/s, housing, and guards for wear or damage, replace if required

BEFORE STORAGE

Change engine oil - Clean machine - Lubricate as per required

EVERY 5 HOURS

Check engine oil level, adjust if required
Check engine air cleaner foam pre-cleaner, service if req.
Check engine rotating screen/finger guard, clean if required
Check operation of safety switches, service if required
Check foot brake operation, adjust if required.
Check tyre pressures, adjust if required

Check for loose fasteners, tighten if required
Lubricate stub axles
Check mowing attachment cutter blades, bolts, nuts, disc/s, housing, and guards for wear or damage, replace if required

1 MONTH OR 5 HOURS WHICH EVER OCCURS FIRST

Change engine oil
Check engine air cleaner foam pre-cleaner, service if required
Check engine rotating screen/finger guard, clean if required
Check foot brake operation, adjust if required
Check operation of safety switches, service if required
Check tyre pressures, adjust if required
Lubricate stub axles
Check mowing attachment cutter blades, bolts, nuts, disc/s, housing, and guards for damage, replace if required

Check clutch arm action, adjust if required
Check and adjust engine to clutch vee belt if required..
Check for loose fasteners, tighten if required
Check clutch to cutter vee belt and adjust cutter housing level if required

DATE / / HOURS.....DEALER.....

3 MONTH OR 25 HOURS WHICH EVER OCCURS FIRST

Change engine oil if operating under heavy load or high ambient temperature
Check engine air cleaner foam pre-cleaner, service if required *
Check engine rotating screen/finger guard, clean if required *
Check foot brake operation, adjust if required
Check operation of safety switches and replace if required
Check tyre pressures, adjust if required
Lubricate stub axles

Check mowing attachment cutter blades, bolts, nuts, disc/s, housing, and guards for wear or damage, replace if required
Check and adjust engine to clutch vee belt if required..
Check battery condition, service if required
Check clutch to cutter vee belt and adjust cutter housing level if required
Check for loose fasteners, tighten if required

*Service more often under dusty conditions, or where air borne debris is present

DATE / / HOURS.....CUSTOMER.....

6 MONTH OR 50 HOURS WHICH EVER OCCURS FIRST

Change engine oil if operating under heavy load or high ambient temperature
Check engine air cleaner foam pre-cleaner, service if required *
Check engine rotating screen/finger guard, clean if required *
Check foot brake operation, adjust if required
Check operation of safety switches and replace if required
Check tyre pressures, adjust if required
Lubricate stub axles

Check mowing attachment cutter blades, bolts, nuts, disc/s, housing, and guards for wear or damage, replace if required
Check for loose fasteners, tighten if required
Check and adjust engine to clutch vee belt if required..
Check battery condition, service if required
Check clutch to cutter vee belt and adjust cutter housing level if required

*Service more often under dusty conditions, or where air borne debris is present

DATE / / HOURS.....DEALER.....

9 MONTHS OR 75 HOURS WHICH EVER OCCURS FIRST

Change engine oil if operating under heavy load or high ambient temperature
Check engine air cleaner foam pre-cleaner, service if required *
Check engine rotating screen/finger guard, clean if required *
Check foot brake operation, adjust if required
Check operation of safety switches and replace if required
Check tyre pressures, adjust if required
Lubricate stub axles
Check mowing attachment cutter blades, bolts, nuts, disc/s, housing, and guards for wear or damage, replace if required

Check for loose fasteners, tighten if required
Check battery condition, service if required
Check clutch to cutter vee belt and adjust cutter housing level if required
Check and adjust engine to clutch vee belt if required..

*Service more often under dusty conditions, or where air borne debris is present

DATE / / HOURS.....CUSTOMER/DEALER.....

12 MONTHS OR 100 HOURS WHICH EVER OCCURS FIRST

Change engine oil filter
Change engine oil
Check engine spark plug, clean, adjust, or replace if required
If fitted clean engine exhaust spark arrester
Check engine air cleaner foam pre-cleaner, service if required *
Check engine air cleaner cartridge, service if required*
Clean engine cooling system*
Check clutch arm action, adjust if required
Replace in-line fuel filter
Check foot brake operation and lining for wear, adjust or replace if req
Lubricate stub axles
Check for loose fasteners, tighten if required
Check operation of safety switches, service if required
Check tyre pressures, adjust if required

Check drive chain and sprockets for wear, replace if required
Check steering chain an sprockets or wear, adjust if required
Check mowing attachment cutter blades, bolts, nuts, disc/s, housing, and guards for wear or damage, replace if required
Check clutch arm action, adjust if required
Re-tension rear wheel retaining nut/s
Check battery condition, service if required
Check drive clutch plates and cone for wear or damage, adjust or service if required
Check belts for wear or damage, replace if required
Check and adjust engine to clutch vee belt if required..
Check clutch to cutter vee belt and adjust cutter housing level if required

*Service more often under dusty conditions, or where air borne debris is present

DATE / / HOURS.....DEALER.....

15 MONTHS OR 125 HOURS WHICH EVER OCCURS FIRST

Change engine oil if operating under heavy load or high ambient temperature
Check engine air cleaner foam pre-cleaner, service if required *
Check engine rotating screen/finger guard, clean if required *
Check operation of safety switches and replace if required
Check foot brake operation, adjust if required
Lubricate stub axles
Check tyre pressures, adjust if required
Check battery condition, service if required

Check mowing attachment cutter blades, bolts, nuts, disc/s, housing, and guards for wear or damage, replace if required
Check for loose fasteners, tighten if required
Check clutch to cutter vee belt and adjust cutter housing level if required
Check and adjust engine to clutch vee belt if required..

*Service more often under dusty conditions, or where air borne debris is present

DATE / / HOURS.....CUSTOMER/DEALER.....

18 MONTHS OR 150 HOURS WHICH EVER OCCURS FIRST

Change engine oil
If fitted clean engine exhaust spark arrester
Check engine air cleaner foam pre-cleaner, service if required *
Check engine rotating screen/finger guard, clean if required *
Check foot brake operation and lining for wear, adjust or replace if required
Check operation of safety switches, service if required
Check tyre pressures, adjust if required
Lubricate stub axles
Check steering chain an sprockets or wear, adjust if required
Check mowing attachment cutter blades, bolts, nuts, disc/s, housing, and guards for wear or damage, replace if required
Check belts for wear or damage, replace if required
Check drive chain and sprockets for wear, replace if required
If fitted check mowing attachment brake pad for wear, replace if required

Check drive clutch plates and cone for wear or damage, adjust or service if required
Check clutch arm action, adjust if required
Check battery condition, service if required
Check for loose fasteners, tighten if required
Check and adjust engine to clutch vee belt if required..
Check clutch to cutter vee belt and adjust cutter housing level if required

*Service more often under dusty conditions, or where air borne debris is present

DATE / / HOURS.....DEALER.....

21 MONTHS OR 175 HOURS WHICH EVER OCCURS FIRST

Change engine oil if operating under heavy load or high ambient temperature
Check engine air cleaner foam pre-cleaner, service if required *
Check engine rotating screen/finger guard, clean if required *
Check foot brake operation, adjust if required
Check operation of safety switches and replace if required
Check tyre pressures, adjust if required
Lubricate stub axles

Check mowing attachment cutter blades, bolts, nuts, disc/s, housing, and guards for wear or damage, replace if required
Check battery condition, service if required
Check for loose fasteners, tighten if required
Check clutch to cutter vee belt and adjust cutter housing level if required
Check and adjust engine to clutch vee belt if required..

*Service more often under dusty conditions, or where air borne debris is present

DATE / / HOURS.....CUSTOMER/DEALER.....

24 MONTHS OR 200 HOURS WHICH EVER OCCURS FIRST

Replace engine oil filter
Change engine oil
Check engine spark plug, clean, adjust, or replace if required
If fitted clean engine exhaust spark arrestor
Check engine air cleaner foam pre-cleaner, service if required *
Check engine air cleaner cartridge, service if required
Clean engine cooling system*
Check foot brake operation and lining for wear, adjust or replace if required
Check operation of safety switches, service if required
Check tyre pressures, adjust if required
Lubricate stub axles
Check steering chain and sprockets or wear, adjust if required

Check mowing attachment cutter blades, bolts, nuts, disc/s, housing, and guards for wear or damage, replace if required
Check belts for wear or damage, replace if required
Check drive chain and sprockets for wear, replace if required
Check drive clutch plates and cone for wear or damage, adjust or service if required
Check clutch arm action, adjust if required
Check battery condition, service if required
Check for loose fasteners, tighten if required
Check and adjust engine to clutch vee belt if required..
Check clutch to cutter vee belt and adjust cutter housing level if required

*Service more often under dusty conditions, or where air borne debris is present

DATE / / HOURS.....DEALER.....

27 MONTHS OR 225 HOURS WHICH EVER OCCURS FIRST

Change engine oil if operating under heavy load or high ambient temperature
Check engine air cleaner foam pre-cleaner, service if required *
Check engine rotating screen/finger guard, clean if required *
Check foot brake operation, adjust if required
Check operation of safety switches and replace if required
Check tyre pressures, adjust if required
Lubricate stub axles

Check mowing attachment cutter blades, bolts, nuts, disc/s, housing, and guards for wear or damage, replace if required
Check battery condition, service if required
Check for loose fasteners, tighten if required
Check clutch to cutter vee belt and adjust cutter housing level if required
Check and adjust engine to clutch vee belt if required..

*Service more often under dusty conditions, or where air borne debris is present

DATE / / HOURS.....CUSTOMER/DEALER.....

30 MONTHS OR 250 HOURS WHICH EVER OCCURS FIRST

Change engine oil
If fitted clean engine exhaust spark arrestor
Check engine air cleaner foam pre-cleaner, service if required *
Check engine rotating screen/finger guard, clean if required *
Check foot brake operation and lining for wear, adjust or replace if required
Check operation of safety switches, service if required
Check tyre pressures, adjust if required
Lubricate stub axles
Check steering chain and sprockets or wear, adjust if required
Check mowing attachment cutter blades, bolts, nuts, disc/s, housing, and guards for wear or damage, replace if required

Check belts for wear or damage, replace if required
Check drive chain and sprockets for wear, replace if required
Check drive clutch plates and cone for wear or damage, adjust or service if required
Check clutch arm action, adjust if required
Check battery condition, service if required
Check for loose fasteners, tighten if required
Check and adjust engine to clutch vee belt if required..
Check clutch to cutter vee belt and adjust cutter housing level if required

*Service more often under dusty conditions, or where air borne debris is present

DATE / / HOURS.....DEALER.....

33 MONTHS OR 275 HOURS WHICH EVER OCCURS FIRST

Change engine oil if operating under heavy load or high ambient temperature
Check engine air cleaner foam pre-cleaner, service if required *
Check engine rotating screen/finger guard, clean if required *
Check foot brake operation, adjust if required
Check operation of safety switches and replace if required
Check tyre pressures, adjust if required
Lubricate stub axles

Check mowing attachment cutter blades, bolts, nuts, disc/s, housing, and guards for wear or damage, replace if required
Check battery condition, service if required
Check for loose fasteners, tighten if required
Check clutch to cutter vee belt and adjust cutter housing level if required
Check and adjust engine to clutch vee belt if required..

*Service more often under dusty conditions, or where air borne debris is present

DATE / / HOURS.....CUSTOMER/DEALER.....

36 MONTHS OR 300 HOURS WHICH EVER OCCURS FIRST

Replace engine oil filter
Change engine oil
Check engine spark plug, clean, adjust, or replace if required
If fitted clean engine exhaust spark arrestor
Check engine air cleaner foam pre-cleaner, service if required *
Check engine air cleaner cartridge, service if required
Clean engine cooling system*
Check foot brake operation and lining for wear, adjust or replace if required
Check operation of safety switches, service if required
Check tyre pressures, adjust if required
Lubricate stub axles
Check steering chain and sprockets for wear, adjust if required

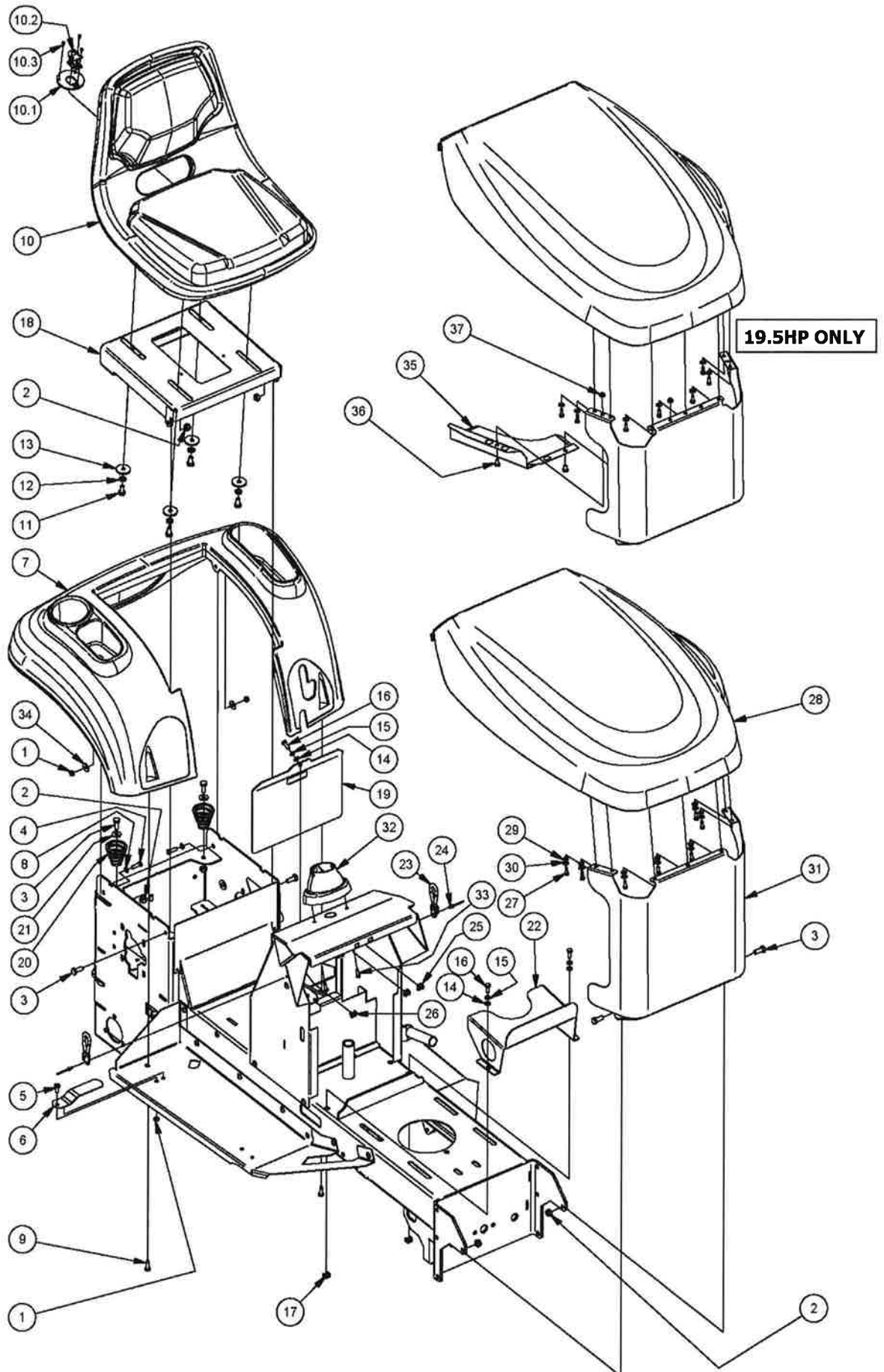
Check mowing attachment cutter blades, bolts, nuts, disc/s, housing, and guards for wear or damage, replace if required
Check belts for wear or damage, replace if required
Check drive chain and sprockets for wear, replace if required
Check drive clutch plates and cone for wear or damage, adjust or service if required
Check clutch arm action, adjust if required
Check battery condition, service if required
Check for loose fasteners, tighten if required
Check and adjust engine to clutch vee belt if required..
Check clutch to cutter vee belt and adjust cutter housing level if required

*Service more often under dusty conditions, or where air borne debris is present

DATE / / HOURS.....DEALER.....

We are proud that you have purchased a Cox product and urge you to follow these instructions to obtain the maximum life for your machine. If in doubt check with your supplier.

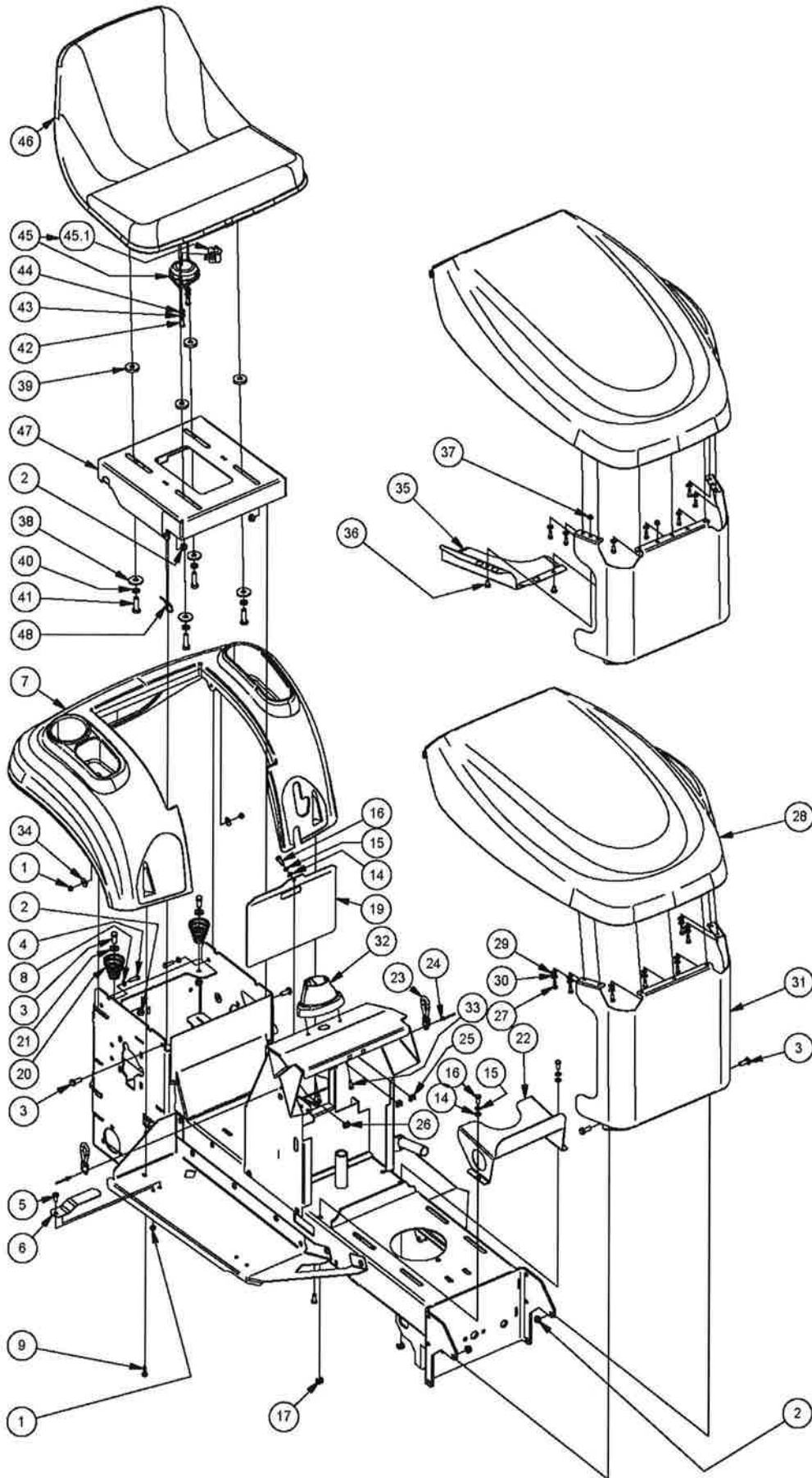
Body Components 16.5HP, 19.5HP B&S & 13HP Honda Only
(not rear discharge C1632BRBS) for serial nos before C1332HS S/N 2378,C1632BS S/N 5981,C1638BS S/N 3016,C1932BS S/N 2026,C1938BS S/N 1111



Body Components 16.5HP, 19.5HP B&S & 13HP Honda Only
(not rear discharge C1632BRBS) for serial nos before C1332HS S/N
2378,C1632BS S/N 5981,C1638BS S/N 3016,C1932BS S/N 2026,C1938BS S/N 1111

ITEM	PART NUMBER	DESCRIPTION	QTY
1	NM6NT	Nut	10
2	NM8NT	Nut	7
3	SH0820M	Screw	6
4	SH0620M	Screw	3
5	SPM6X16	Screw, Pan	1
6	13096	Depressor, Foot Switch	1
7	95044	Mudguard	1
8	W06MN	Washer	3
9	SPPK6X20	Screw, Pan	2
10	A122110	Seat	1
10.1	90112	Seat Switch Mounting Plate	1
10.2	SP1PNCMSM	Switch, Plunger	1
10.3	SPST04GX0.37	Screw, Pan	3
11	SH0816M	Screw	4
12	WS050216	Washer, Lock, Spring	4
13	W052003	Washer	4
14	W040818	Washer	2
15	WS040816	Washer, Lock, Spring	3
16	SH0616M	Screw	5
17	NCM6x2.6x9.5	Nut, Cage	2
18	A122009R	Mount, Seat	1
19	A131021R	Door, Console	1
20	13060	Spring, Seat	2
21	W05M202	Washer	2
22	A107014R08L	Stand, Tank, Fuel	1
23	96114	Strap, Bonnet	2
24	PR04M4.8	Rivet	2
25	NCM5X2.5X9.5	Nut, Cage	2
26	NCM6X1.6X9.5	Nut, Cage	1
27	SPPK5X16	Screw, Pan	7
28	95043	Cowl, Bonnet	1
29	WSR12	Washer	7
30	W030820	Washer	7
31	A145073R	Nose, Bonnet 13HP Honda	1
	A143073R11M	Nose, Bonnet B&S Only	1
32	A131009	Cover, Shaft, Steering	1
33	SPPK5X16	Screw, Pan	2
34	W041216	Washer	6
35	A140075B	Baffle, Hot Air, Bonnet, B&S, 19.5, Black 19.5 Hp Only	1
36	SPM6X12	Screw, Pan 19.5 Hp Only	2
37	NM6NT	Nut 19.5 Hp Only	2

**Body Components 16.5HP, 19.5HP B&S & 13HP Honda Only
(not rear discharge C1632BRBS) for serial nos from C1332HS S/N 2378,C1632BS
S/N 5981,C1638BS S/N 3016,C1932BS S/N 2026,C1938BS S/N 1111**

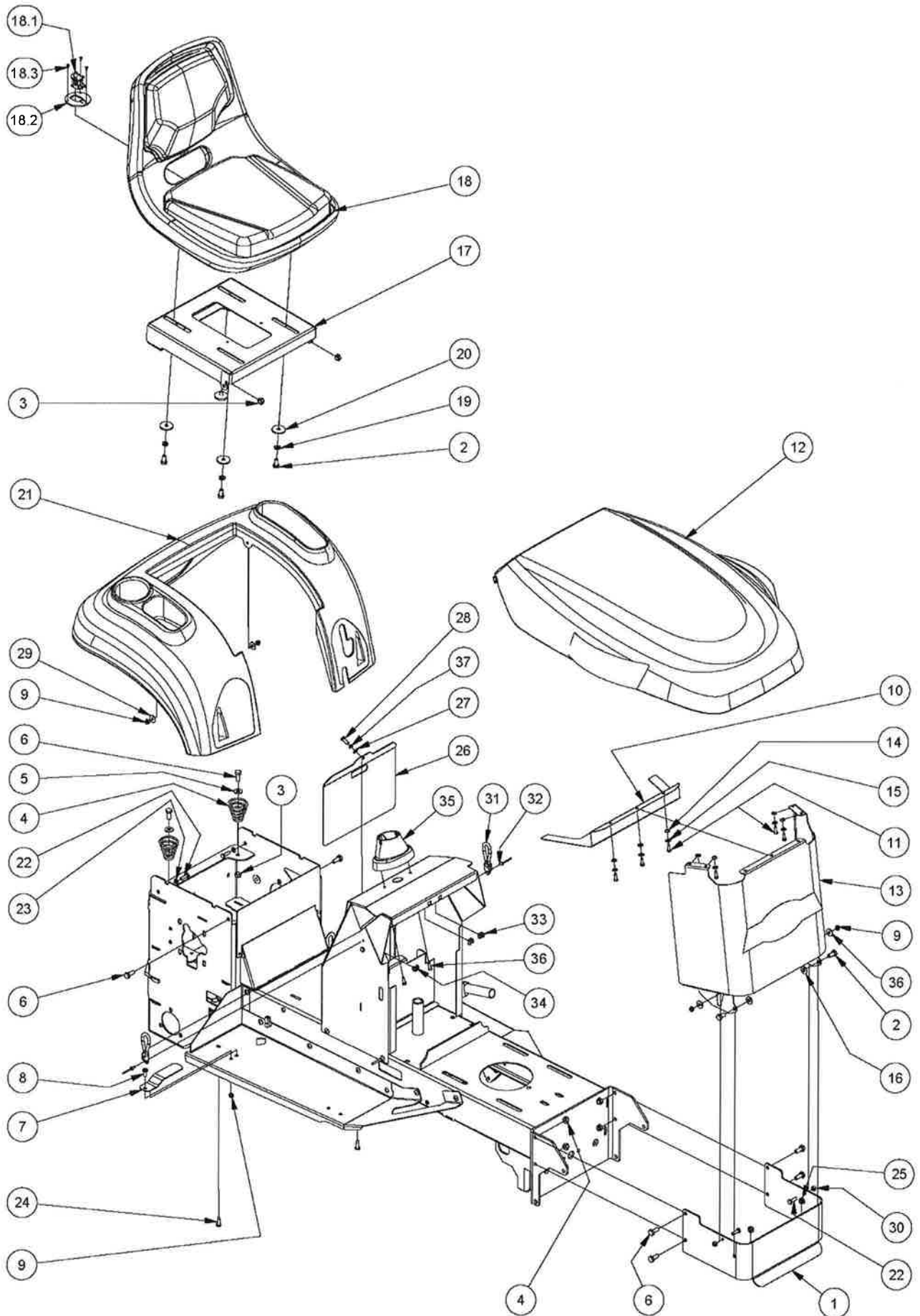


Body Components 16.5HP, 19.5HP B&S & 13HP Honda Only
(not rear discharge C1632BRBS) for serial nos from C1332HS S/N 2378,C1632BS
S/N 5981,C1638BS S/N 3016,C1932BS S/N 2026,C1938BS S/N 1111

ITEM	PART NUMBER	DESCRIPTION	QTY
1	NM6NT	Nut	10
2	NM8NT	Nut	7
3	SH0820M	Screw	6
4	SH0620M	Screw	3
5	SPM6X16	Screw, Pan	1
6	13096	Depressor, Foot Switch	1
7	95044	Mudguard	1
8	W06MN	Washer	3
9	SPPK6X20	Screw, Pan	2
14	W040818	Washer	2
15	WS040816	Washer, Lock, Spring	3
16	SH0616M	Screw	5
17	NCM6x2.6x9.5	Nut, Cage	2
19	A131021R	Door, Console	1
20	13060	Spring, Seat	2
21	W05M202	Washer	2
22	A107014R08L	Stand, Tank, Fuel	1
23	96114	Strap, Bonnet	2
24	PR04M4.8	Rivet	2
25	NCM5X2.5X9.5	Nut, Cage	2
26	NCM6X1.6X9.5	Nut, Cage	1
27	SPPK5X16	Screw, Pan	7
28	95043	Cowl, Bonnet	1
29	WSR12	Washer, Seal, Epdm Rubber	7
30	W030820	Washer	7
31	A145073R	Nose, Bonnet 13HP Honda	1
	A143073R11M	Nose, Bonnet B&S Only	1
32	A131009	Cover, Shaft, Steering	1
33	SPPK5X16	Screw, Pan	2
34	W041216	Washer	6
35	A140075B	Baffle, Hot Air, Bonnet, B&S, 19.5 Hp Only	1
36	SPM6X12	Screw, Pan 19.5 Hp Only	2
37	NM6NT	Nut	2
38	W0620HD	Washer	4
39	13247	Washer	4
40	WS06081.5	Washer, Lock, Spring	4
41	B0620C	Bolt	4
42	BHSSC0410	Screw, Button, Hex Soc	2
43	WS040816	Washer, Lock, Spring	2
44	W040818	Washer	2
45	AM16512F	Switch, Seat	1
45.1	SP1PNCSM	Switch, Plunger, 1 Pole, Nc, Snap Mtg	1
46	A140110	Seat	1
47	A143009R	Mount, Seat	1
48	CABLETIES	Cable Ties	1

OWNERS MANUAL FOR MODELS A14311M, A14411M, A14511M

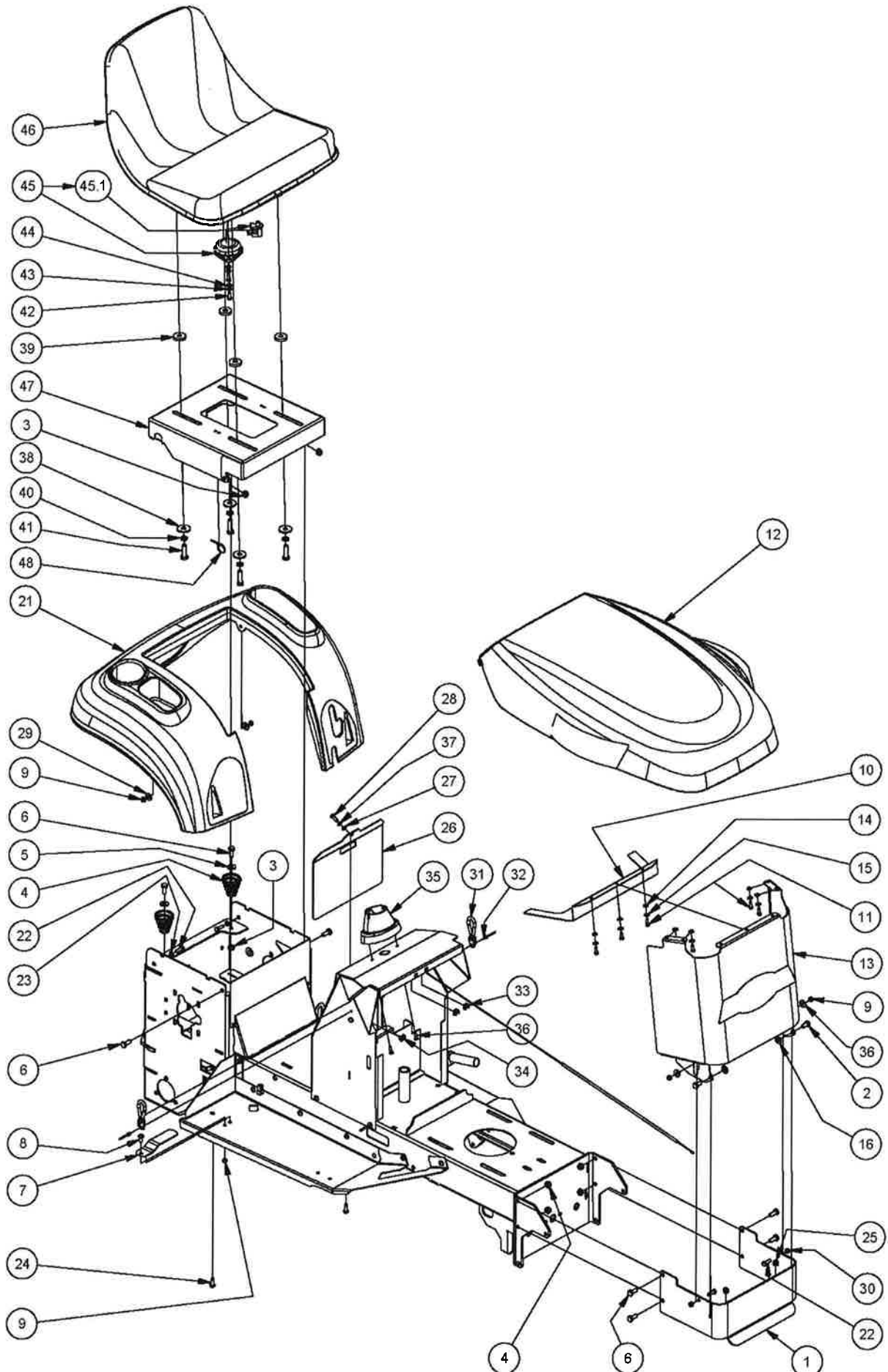
**Body Components 16HP Honda Only for serial nos before C1632HS S/N 8183,
C1638HT S/N 6580**



**Body Components 16HP Honda Only for serial nos before C1632HS S/N 8183,
C1638HT S/N 6580**

ITEM	PART NUMBER	DESCRIPTION	QTY
1	A145040R	Bumper, Front, Red	1
2	SH0816M	Screw	6
3	NM8NT	Nut	8
4	13060	Spring, Seat	2
5	W05M202	Washer	2
6	SH0820M	Screw	2
7	13096	Depressor, Foot Switch	1
8	SPM6X16	Screw, Pan	1
9	NM6NT	Nut	5
10	A119075B	Baffle, Hot Air, Bonnet, Front	1
11	SPPK5X16	Screw, Pan	7
12	95043	Cowl, Bonnet	1
13	A123073R10G	Nose, Bonnet, Sloping	1
14	WSR12	Washer, Seal, Epdm Rubber	7
15	W030820	Washer	7
16	W051216	Washer	2
17	A122009R11D	Mount, Seat	1
18	A122110	Seat, Medium	1
18.1	SP1PNC5M	Switch, Plunger	1
18.2	9011208G	Mounting, Switch, Seat	1
18.3	SPST04CX0.37	Screw, Pan, Self Tap	3
19	WS050216	Washer, Lock, Spring	4
20	W052003	Washer	4
21	95044	Mudguard	1
22	SH0620M	Screw	4
23	W06MN	Washer	2
24	SPPK6X20	Screw, Pan	2
25	NHCM8	Nut, Hex, Conelok	2
26	A131021R	Door, Console	1
27	W040816	Washer	1
28	SH0616M	Screw	1
29	W041216	Washer	4
30	NHM6	Nut	2
31	96114	Strap, Bonnet	2
32	PR04M4.8	Rivet	2
33	NCM5X2.5X9.5	Nut, Cage	2
34	NCM6X1.6X9.5	Nut, Cage	1
35	A131009	Cover, Shaft, Steering	1
36	SPPK5X16	Screw, Pan	2
37	WS040816	Washer, Lock, Spring	1

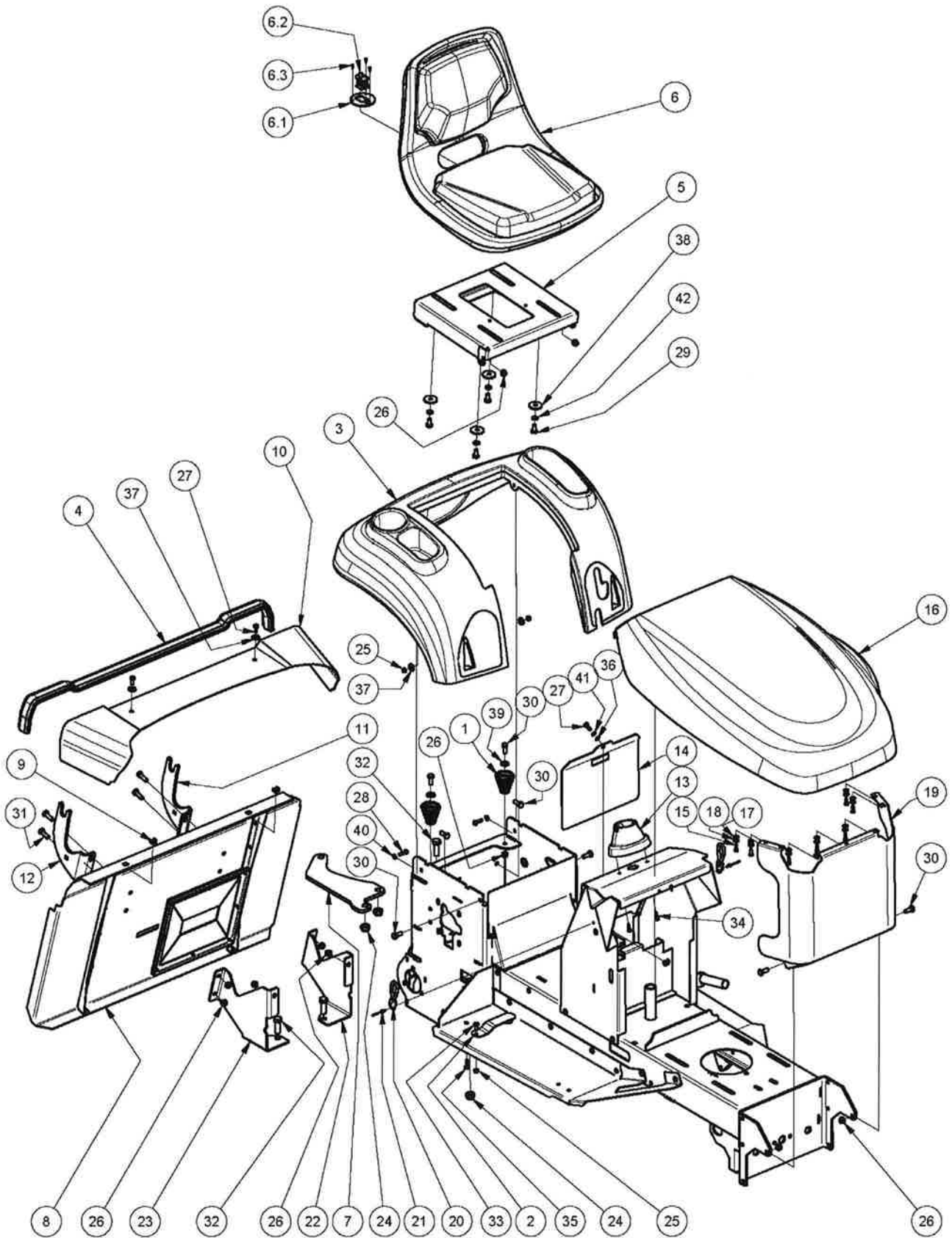
Body Components 16HP Honda Only for serial nos from C1632HS S/N 8183, C1638HT S/N 6580



Body Components 16HP Honda Only for serial nos from C1632HS S/N 8183, C1638HT S/N 6580

ITEM	PART NUMBER	DESCRIPTION	QTY
1	A145040R	Bumper, Front	1
2	SH0816M	Screw	2
3	NM8NT	Nut	8
4	13060	Spring, Seat	2
5	W05M202	Washer	2
6	SH0820M	Screw	2
7	13096	Depressor, Foot Switch	1
8	SPM6X16	Screw, Pan	1
9	NM6NT	Nut	5
10	A119075B	Baffle, Hot Air, Bonnet, Front	1
11	SPPK5X16	Screw, Pan	7
12	95043	Cowl, Bonnet	1
13	A123073R10G	Nose, Bonnet, Sloping	1
14	WSR12	Washer, Seal, Epdm Rubber	7
15	W030820	Washer	7
16	W051216	Washer	2
21	95044	Mudguard	1
22	SH0620M	Screw	4
23	W06MN	Washer	2
24	SPPK6X20	Screw, Pan	2
25	NHCM8	Nut, Hex, Conelok	2
26	A131021R	Door, Console	1
27	W040816	Washer	1
28	SH0616M	Screw	1
29	W041216	Washer	4
30	NHM6	Nut	2
31	96114	Strap, Bonnet	2
32	PR04M4.8	Rivet	2
33	NCM5X2.5X9.5	Nut, Cage	2
34	NCM6X1.6X9.5	Nut, Cage	1
35	A131009	Cover, Shaft, Steering	1
36	SPPK5X16	Screw, Pan	2
37	WS040816	Washer, Lock, Spring	1
38	W0620HD	Washer	4
39	13247	Washer	4
40	WS06081.5	Washer, Lock, Spring	4
41	B0620C	Bolt	4
42	BHSSC0410	Screw, Button, Hex Soc	2
43	WS040816	Washer, Lock, Spring	2
44	W040818	Washer	2
45	AM16512F	Switch, Seat	1
45.1	SP1PNCSM	Switch, Plunger, 1 Pole, Nc, Snap Mtg	1
46	A140110	Seat	1
47	A143009R	Mount, Seat	1
48	CABLETIES	Cable Ties	1

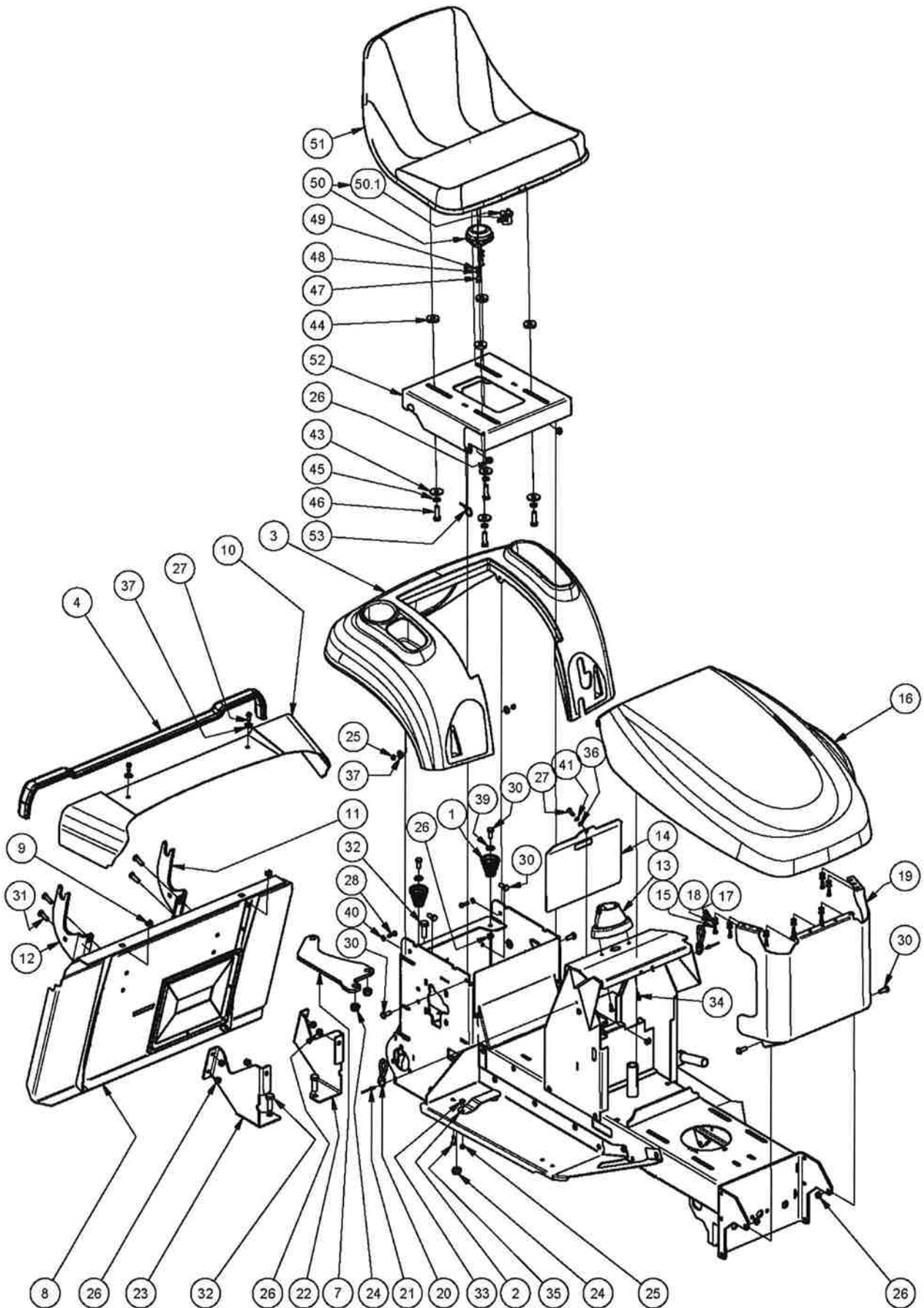
Body Components Rear Discharge Only for serial numbers before C1632BRBS s/n9271



Body Components Rear Discharge Only for serial numbers before C1632BRBS s/n9271

ITEM	PART NUMBER	DESCRIPTION	QTY
1	13060	Spring, Seat	2
2	13096	Depressor, Foot Switch	1
3	95044	Mudguard	1
4	A102128	Seal, Mudguard, Catcher Cover	1
5	A122009R11D	Mount, Seat, Medium	1
6	A122110	Seat, Medium	1
6.1	9011208G	Mounting, Switch, Seat	1
6.2	SP1PNC5M	Switch, Plunger	1
6.3	SPST04CX0.37	Screw, Pan	3
7	A125203R	Extension, Towbar	1
8		Sub-Assy, Wall, Catcher	1
9	NCM6X1.6X9.5	Nut, Cage	2
10	A128051R	Infill, Mudguard-Catcher	1
11	A129035B	Bracket, Catcher, Left	1
12	A129037B	Bracket, Catcher, Right	1
13	A131009	Cover, Shaft, Steering	1
14	A131021R	Door, Console	1
15	SPPK5X16	Screw, Pan	7
16	95043	Cowl, Bonnet	1
17	WSR12	Washer, Seal, Epdm Rubber	7
18	W030820	Washer	7
19	A143073R	Nose, Bonnet	1
20	96114	Strap, Bonnet, Bunji_Loop	2
21	PR04M4.8	Rivet	2
22	A144031B	Bracket, Chassis, Left	1
23	A144033B	Bracket, Chassis, Right	1
24	NM12NT	Nut	3
25	NM6NT	Nut	3
26	NM8NT	Nut	10
27	SH0616M	Screw	3
28	SH0620M	Screw	2
29	SH0816M	Screw	4
30	SH0820M	Screw	8
31	SH0825M	Screw,	4
32	SH1235M	Screw	3
33	SPM6X16	Screw, Pan	1
34	SPPK5X16	Screw, Pan	2
35	SPPK6X20	Screw, Pan	2
36	W040818	Washer	1
37	W041216	Washer	2
38	W052003	Washer	4
39	W05M202	Washer	2
40	W06MN	Washer	2
41	WS040816	Washer, Lock, Spring	1
42	WS050216	Washer, Lock, Spring	4

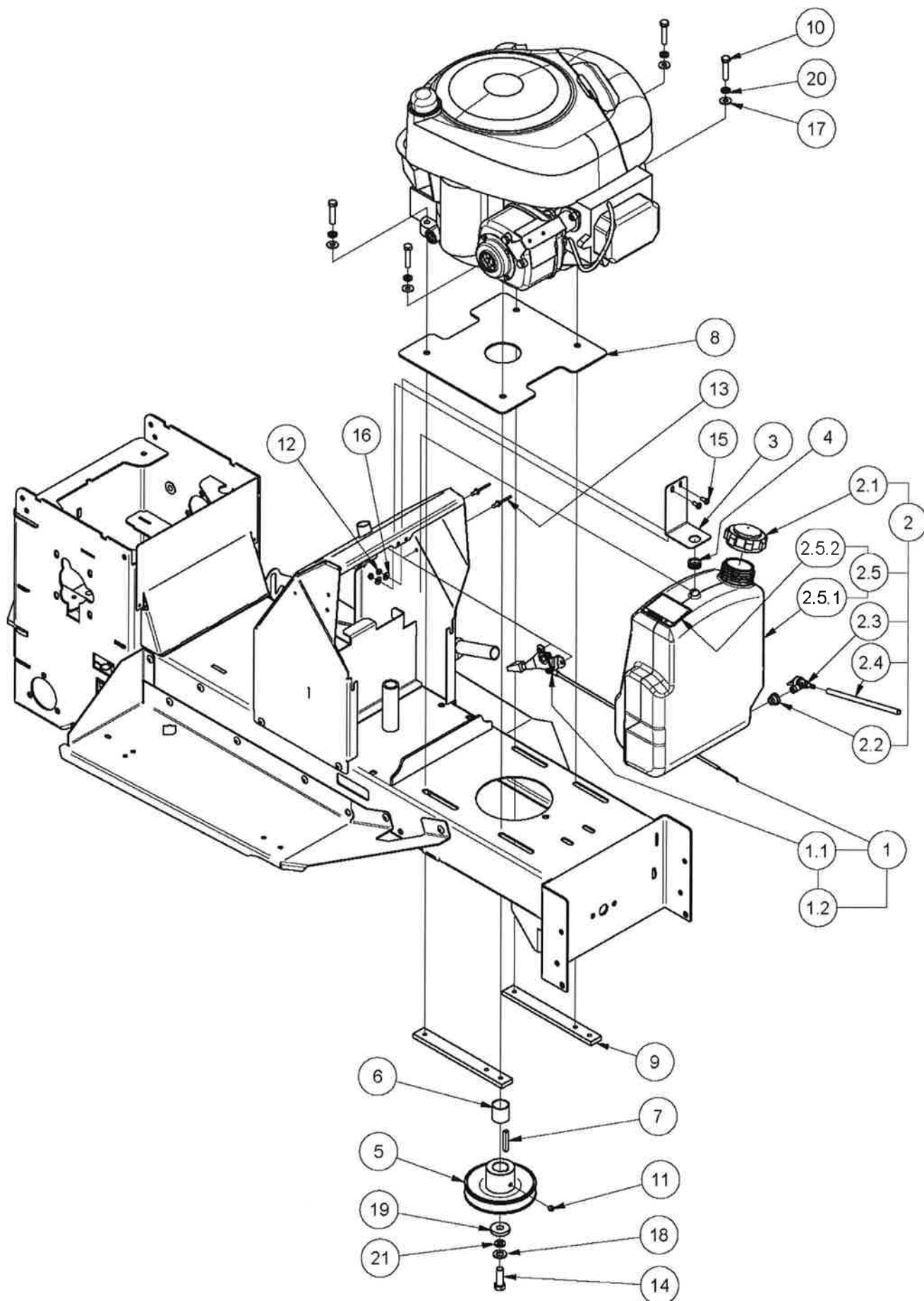
Body Components Rear Discharge Only for serial numbers from C1632BRBS s/n9271



Body Components Rear Discharge Only for serial numbers from C1632BRBS s/n9271

ITEM	PART NUMBER	DESCRIPTION	QTY
1	13060	Spring, Seat	2
2	13096	Depressor, Foot Switch	1
3	95044	Mudguard	1
4	A102128	Seal, Mudguard, Catcher Cover	1
7	A125203R	Extension, Towbar	1
8	A128020	Sub-Assy, Wall, Catcher	1
9	NCM6X1.6X9.5	Nut, Cage	2
10	A128051R	Infill, Mudguard-Catcher	1
11	A129035B	Bracket, Catcher, Left	1
12	A129037B	Bracket, Catcher, Right	1
13	A131009	Cover, Shaft, Steering	1
14	A131021R	Door, Console	1
15	SPPK5X16	Screw, Pan	7
16	95043	Cowl, Bonnet	1
17	WSR12	Washer, Seal, Epdm Rubber	7
18	W030820	Washer	7
19	A143073R11M	Nose, Bonnet	1
20	96114	Strap, Bonnet	2
21	PR04M4.8	Rivet	2
22	A144031B	Bracket, Chassis, Left	1
23	A144033B	Bracket, Chassis, Right	1
24	NM12NT	Nut	3
25	NM6NT	Nut	3
26	NM8NT	Nut	10
27	SH0616M	Screw	3
28	SH0620M	Screw	2
30	SH0820M	Screw	8
31	SH0825M	Screw	4
32	SH1235M	Screw	3
33	SPM6X16	Screw, Pan	1
34	SPPK5X16	Screw, Pan	2
35	SPPK6X20	Screw, Pan	2
36	W040818	Washer	1
37	W041216	Washer	2
39	W05M202	Washer	2
40	W06MN	Washer	2
41	WS040816	Washer, Lock, Spring	1
42	WS050216	Washer, Lock, Spring	4
43	W0620HD	Washer	4
44	13247	Washer	4
45	WS06081.5	Washer, Lock, Spring	4
46	B0620C	Bolt	4
47	BHSSC0410	Screw, Button, Hex Soc	2
48	WS040816	Washer, Lock, Spring	2
49	W040818	Washer	2
50	AM16512F	Switch, Seat	1
50.1	SP1PNCM	Switch, Plunger, 1 Pole, Nc, Snap Mtg	1
51	A140110	Seat	1
52	A143009R	Mount, Seat	1
53	CABLETIES	Cable Ties	1

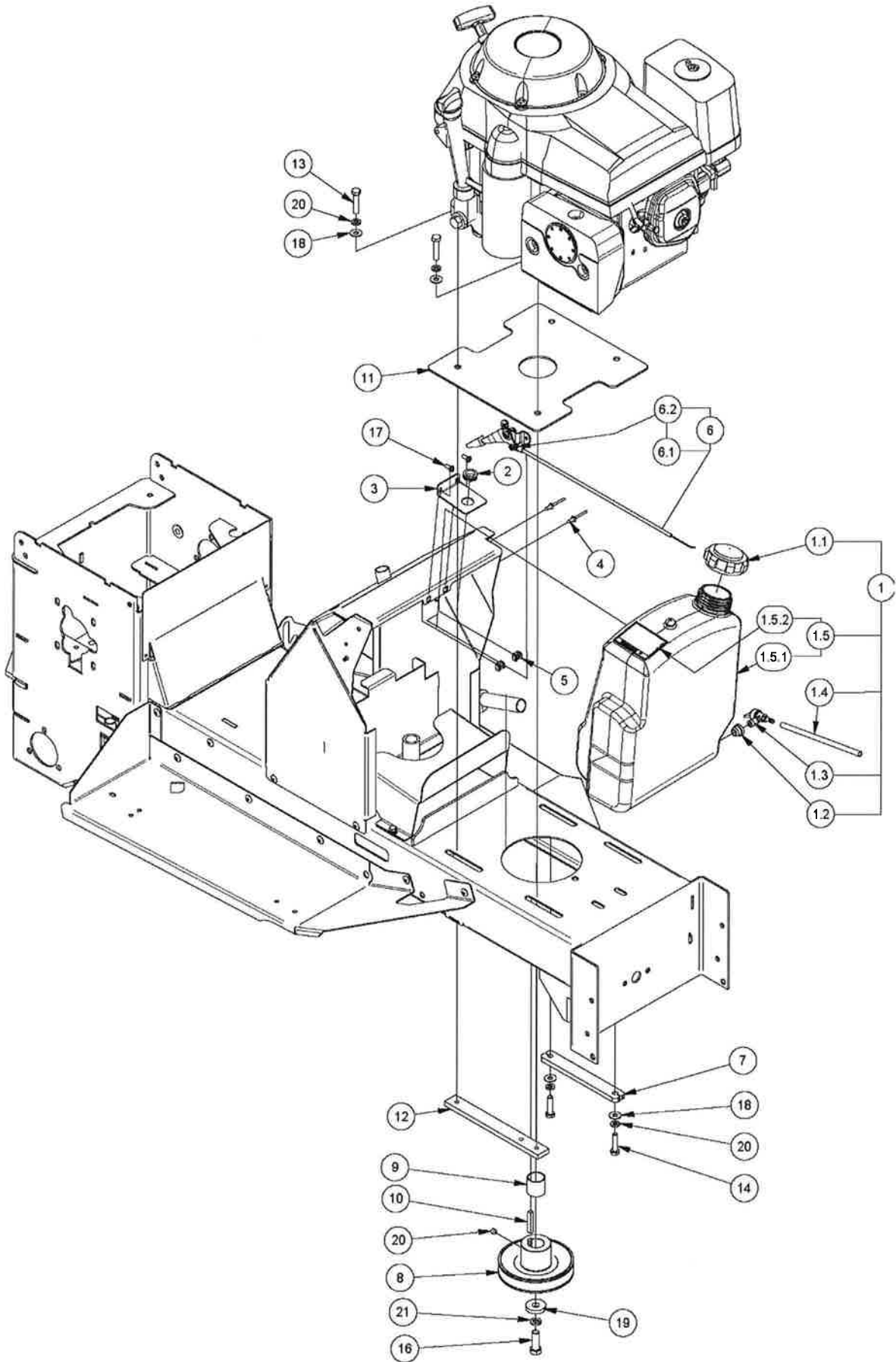
Engine Ancillary Components B&S Engines ONLY



Engine Ancillary Components B&S Engines ONLY

ITEM	PART NUMBER	DESCRIPTION	QTY
1	A131101	Assy, Control, Throttle	1
2		Sub-Assy, Tank	1
2.1	CF01	Cap, Fuel	1
2.2	AM294	Grommet, Fuel Tap	1
2.3	AM293	Petrol Tap	1
2.4	14107	Line, Fuel	1
2.5.1	80033	Tank, Fuel	1
2.5.2	DEC08505K	Decal, Warning, Fuel	1
3	A131007B	Bracket, Restrain, Fuel Tank, Black	1
4	80037	Grommet	1
5	A108101	Pulley, Engine	1
6	A108103	Spacer, Pulley, Engine	1
7	A108104	Key	1
8	A108109B09H	Plate, Base, Engine	1
9	AM078B0	Engine Mount Bolt Plate	2
10	B0524C	Bolt, Hex	4
11	GS0505C	Screw, Set	1
12	NM5NT	Nut, Hex	2
13	BHSSM5X12	Screw, Control, Throttle	2
	NM5NT	Nut, Control, Throttle	2
14	SH0724F	Bolt, Hex	1
15	SPM5X12	Screw, Pan	2
16	W030820	Washer, Flat	2
17	W051218	Washer, Flat	4
18	W071416	Washer, Flat	2
19	W072004	Washer, Flat	1
20	WS050216	Washer, Lock, Spring	4
21	WS071008	Washer, Lock, Spring	1
	AM295	Spark Plug Spanner	1

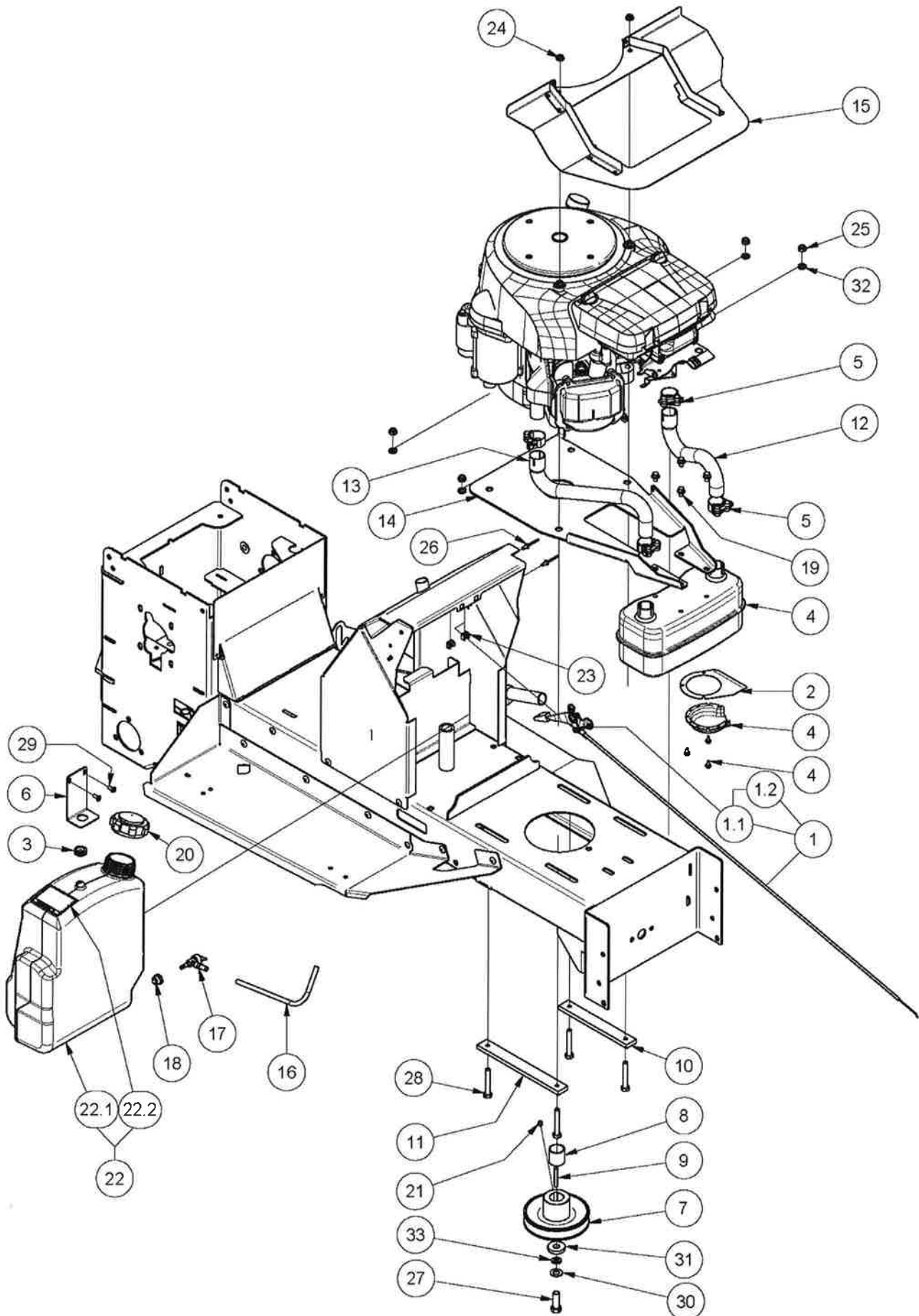
Engine Ancillary Components 13HP Honda



Engine Ancillary Components 13HP Honda

ITEM	PART NUMBER	DESCRIPTION	QTY
1		Sub-Assy, Tank, Fuel	1
1.1	CF01	Cap, Fuel	1
1.2	AM294	Grommet, Fuel Tap	1
1.3	AM293	Petrol Tap	1
1.4	14107	Line, Fuel	1
1.5.1	80033	Tank, Fuel	1
1.5.2	DEC08505K	Decal, Warning, Fuel	1
2	80037	Grommet	1
3	A107007B	Bracket, Restrain	1
4	BHSSM5X12	Screw, Control, Throttle	2
	NM5NT	Nut, Control, Throttle	2
5	NCM5X2.5X9.5	Nut, Cage	2
6	A133033	Control, Speed, Engine	1
7	A107114Z	Plate, Mount, Engine, 13.0 Hon, Left	1
8	A108101	Pulley, Engine	1
9	A108103	Spacer, Pulley, Engine	1
10	A108104	Key	1
11	A108109B09H	Plate, Base, Engine	1
	CP07	Clip	1
	BHSSM5X12	Screw	1
	NM5N	Nut	1
12	AM078B0	Engine Mount Bolt Plate	1
13	B0524C	Bolt	2
14	B0520F	Bolt	2
15	DEC203	Decal, Lawn Boss Console, Lower	1
16	SH0724F	Bolt	1
	W071416	Washer, Flat	2
17	SPM5X12	Screw, Pan	2
18	W051218	Washer, Flat	6
19	W072004	Washer, Flat	1
20	WS050216	Washer, Lock, Spring	4
21	WS071008	Washer, Lock, Spring	1
	AM295	Spark Plug Spanner	1

Engine Ancillary Components 16HP Honda



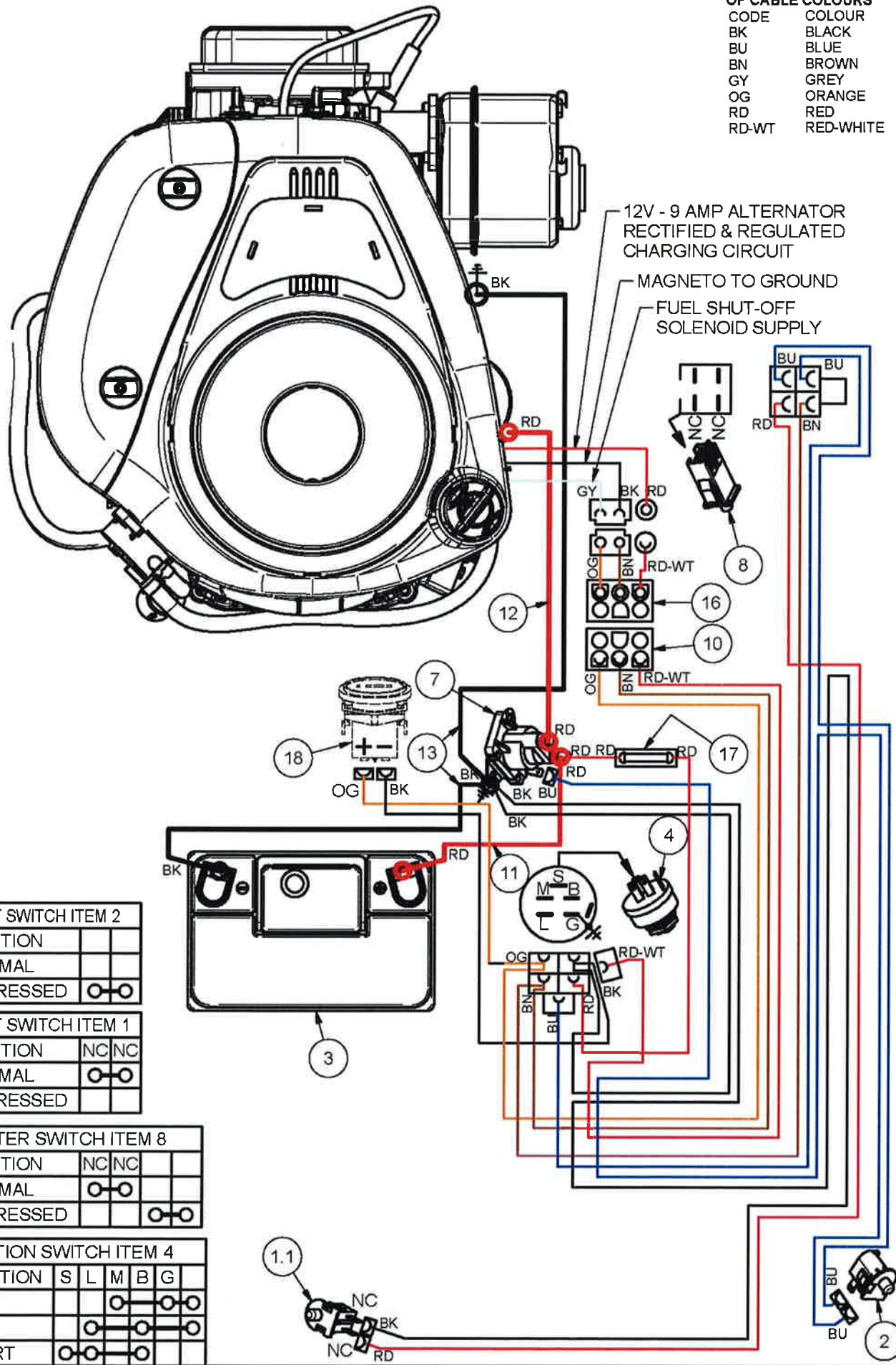
Engine Ancillary Components 16HP Honda

ITEM	PART NUMBER	DESCRIPTION	QTY
1	A133133	Control, Speed, Engine	1
	A119135	Clamp, Cable	1
	NM8NT	Nut	1
	SH0616M	Screw	1
	W041216	Washer	1
2	80025	Deflector, Exhaust Gas	1
3	80037	Grommet	1
4	90167	Muffler, Exhaust	1
5	90168	Clamp, Hose, T-Bolt	4
6	A131007B	Bracket, Restrain, Fuel Tank	1
7	A108101	Pulley, Engine	1
8	A108103	Spacer, Pulley, Engine	1
9	A108104	Key	1
10	A116207Z	Plate, Mounting, Engine, Left	1
11	A116208Z	Plate, Mounting, Engine, Right	1
12	A119121C	Pipe, Exhaust, Hon	1
13	A119123C	Pipe, Exhaust, Hon	1
14	A119125Z	Bracket, Muffler	1
15	A119127B09G	Baffle, Hot Air, Engine, Front	1
16	A119129	Fuel Line, 240l	1
17	AM293	Petrol Tap	1
18	AM294	Grommet	1
19	B0408TFS	Screw	4
20	CF01	Cap, Fuel	1
21	GS0505C	Screw, Set	1
22		Kit, Tank, Fuel	1
22.1	80033	Tank, Fuel	1
22.2	DEC08505K	Decal, Warning, Fuel	1
23	NCM5X2.5X9.5	Nut, Cage	2
24	NFM6	Nut, Hex, Flange	2
25	NHCM8	Nut, Hex, Conelok	4
26	BHSSM5X12	Bolt	2
	NM5NT	Nut	2
27	SH0724F	Bolt	1
28	SH0850M	Screw	4
29	SPM5X12	Screw, Pan	2
30	W071416	Washer, Flat	2
31	W072004	Washer, Flat	1
32	WS050216	Washer, Lock, Spring	4
33	WS071008	Washer, Lock, Spring	1
	AM005G0	Spark Plug Spanner	1

WIRING DIAGRAM - A14311M & A14411M, STOCKMAN 3, BRIGGS & STRATTON ENGINE NEW CONNECTOR

GLOSSARY OF CABLE COLOURS

CODE	COLOUR
BK	BLACK
BU	BLUE
BN	BROWN
GY	GREY
OG	ORANGE
RD	RED
RD-WT	RED-WHITE



FOOT SWITCH ITEM 2

POSITION		
NORMAL		
DEPRESSED	○	○

SEAT SWITCH ITEM 1

POSITION	NC	NC
NORMAL	○	○
DEPRESSED		

CUTTER SWITCH ITEM 8

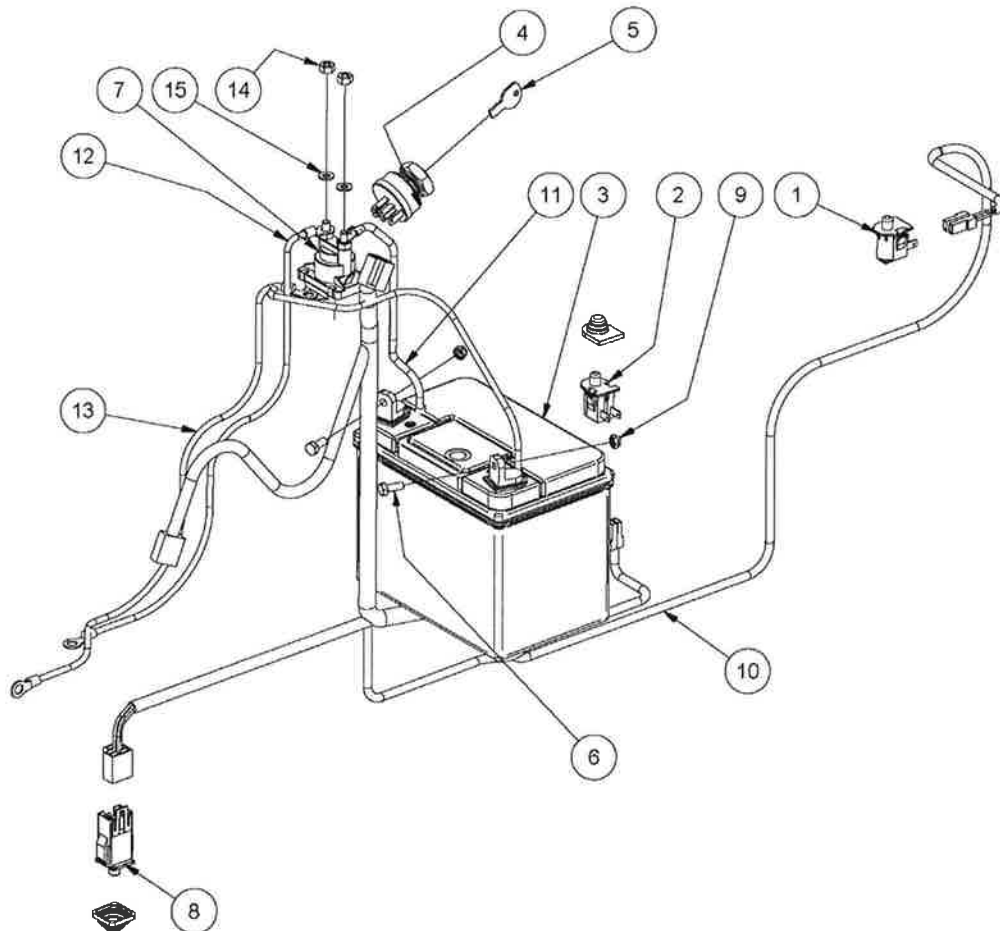
POSITION	NC	NC
NORMAL	○	○
DEPRESSED		

IGNITION SWITCH ITEM 4

POSITION	S	L	M	B	G
OFF			○	○	○
ON	○	○	○	○	○
START	○	○	○	○	○

16.5HP, 19.5HP B&S Electrical Components Schematic

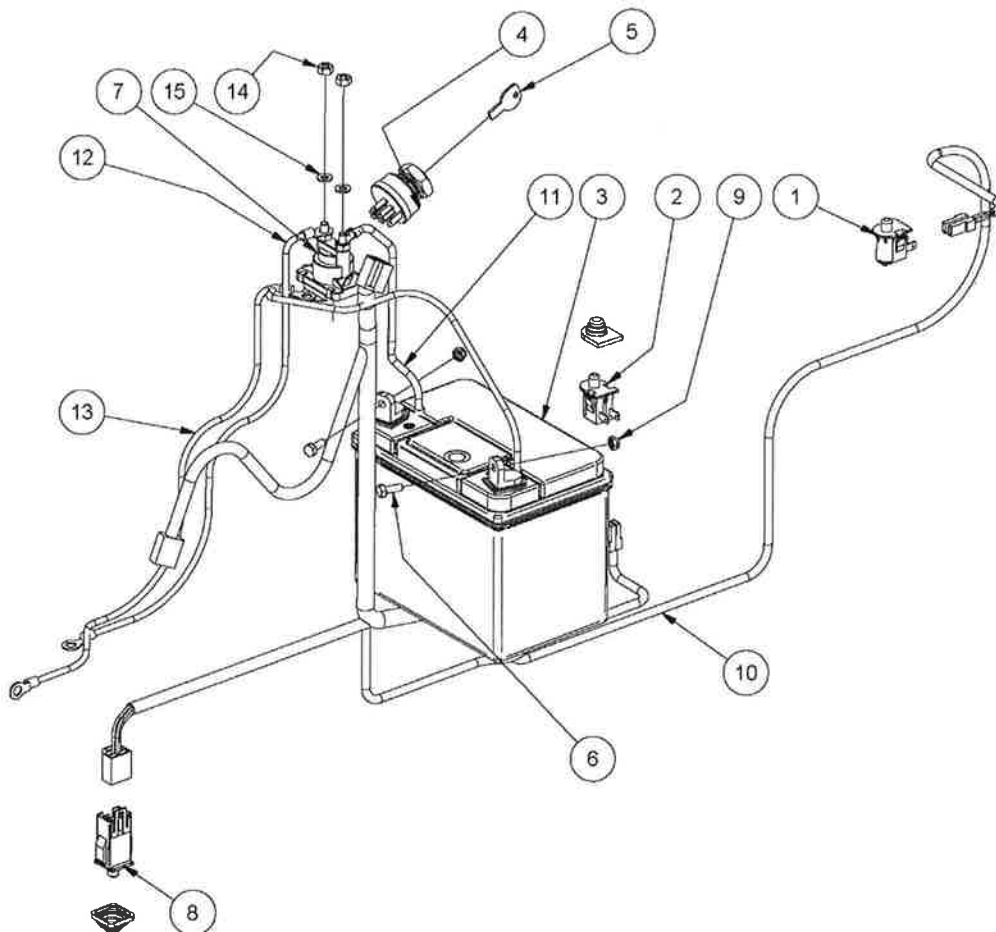
ITEM	PART NUMBER	DESCRIPTION	QTY
		Engine, B&S	1
1	AM16512F	Switch, Seat	1
1.1	SP1PNCM	Switch, Plunger	1
2	SKIT132	Switch, Plunger , Inc Cover	1
3		Battery, Automotive, 12V, CMFU1, 9PL, 240CCA	1
4	13125	Switch, Key	1
5	AM015	Pair, Key, Ignition	1
6	SH0616M	Screw	2
7	AM159	Solenoid, Starter	1
	NM6NT	Nut	2
	SH0620M	Screw	2
8	SKIT133	Switch, Plunger, Inc Cover	1
9	NHM6	Nut	2
10	A143026	Harness, Wiring, Main	1
11	89082	Lead, Battery, Red, L= 295	1
12	AM265	Lead, Battery, Red, L= 490	1
13	15235	Lead, Battery, Black, 3term	1
14	N04C	Nut	2
15	W040818	Washer	2
16	A143112	Harness, Wiring, Engine, B&S	1
17		Fuse, Glass, 3ag, 15 Amp	1
18	AM211	Hour Meter, Optional	1



OWNERS MANUAL FOR MODELS A14311M, A14411M, A14511M

13HP HONDA Electrical Components Schematic

ITEM	PART NUMBER	DESCRIPTION	QTY
		Engine, Honda, 13.0 Hp	
1	AM16512F	Switch, Seat	1
1.1	SP1PNC5M	Switch, Plunger	1
2	SKIT132	Switch, Plunger , Inc Cover	1
3		Battery, Automotive, 12V, CMFU1, 9PL, 240CCA	1
4	13125	Switch, Key	1
5	AM015	Pair, Key, Ignition	1
6	SH0620M	Screw	2
7	AM159	Solenoid	1
	NM6NT	Nut	2
	SH0616M	Screw	2
8	SKIT133	Switch, Plunger , Inc Cover	1
9	NHM6	Nut	2
10	A143026	Harness, Wiring, Main	1
11	89082	Lead, Battery, Red, L= 295	1
12	AM265	Lead, Battery, Red, L= 490	1
13	15235	Lead, Battery, Black, 3term	1
14	N04C	Nut	2
15	W040818	Washer	2
16	A143111	Harness, Wiring, Engine, Hon, 13.0 Hp	1
17	13149	Lead, Earth, Fuel Pump	1
18		Fuse, Glass, 3ag, 15 Amp	1
19	AM211	Hour Meter, Optional	

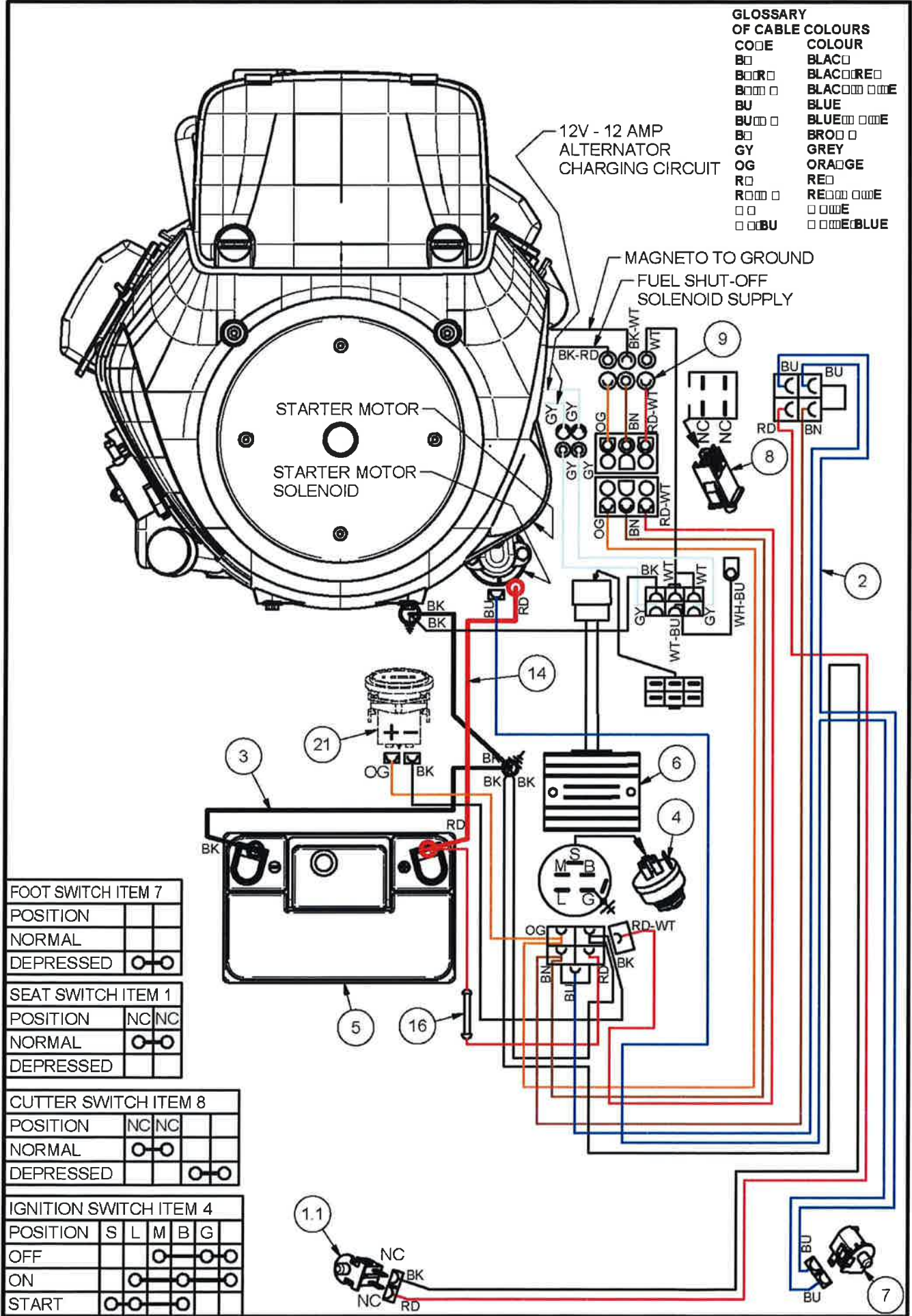


OWNERS MANUAL FOR MODELS A14311M, A14411M, A14511M

WIRING DIAGRAM - A14511M, STOCKMAN 3, HONDA 16.0 HP ENGINE NEW CONNECTOR

GLOSSARY OF CABLE COLOURS

CODE	COLOUR
BK	BLACK
BK-RD	BLACK/RED
BK-WT	BLACK/WHITE
BU	BLUE
BU-WT	BLUE/WHITE
BN	BROWN
OG	ORANGE
RD	RED
RD-WT	RED/WHITE
WT	WHITE
WT-BU	WHITE/BLUE
WH-BU	WHITE/BLUE



FOOT SWITCH ITEM 7	
POSITION	
NORMAL	
DEPRESSED	○

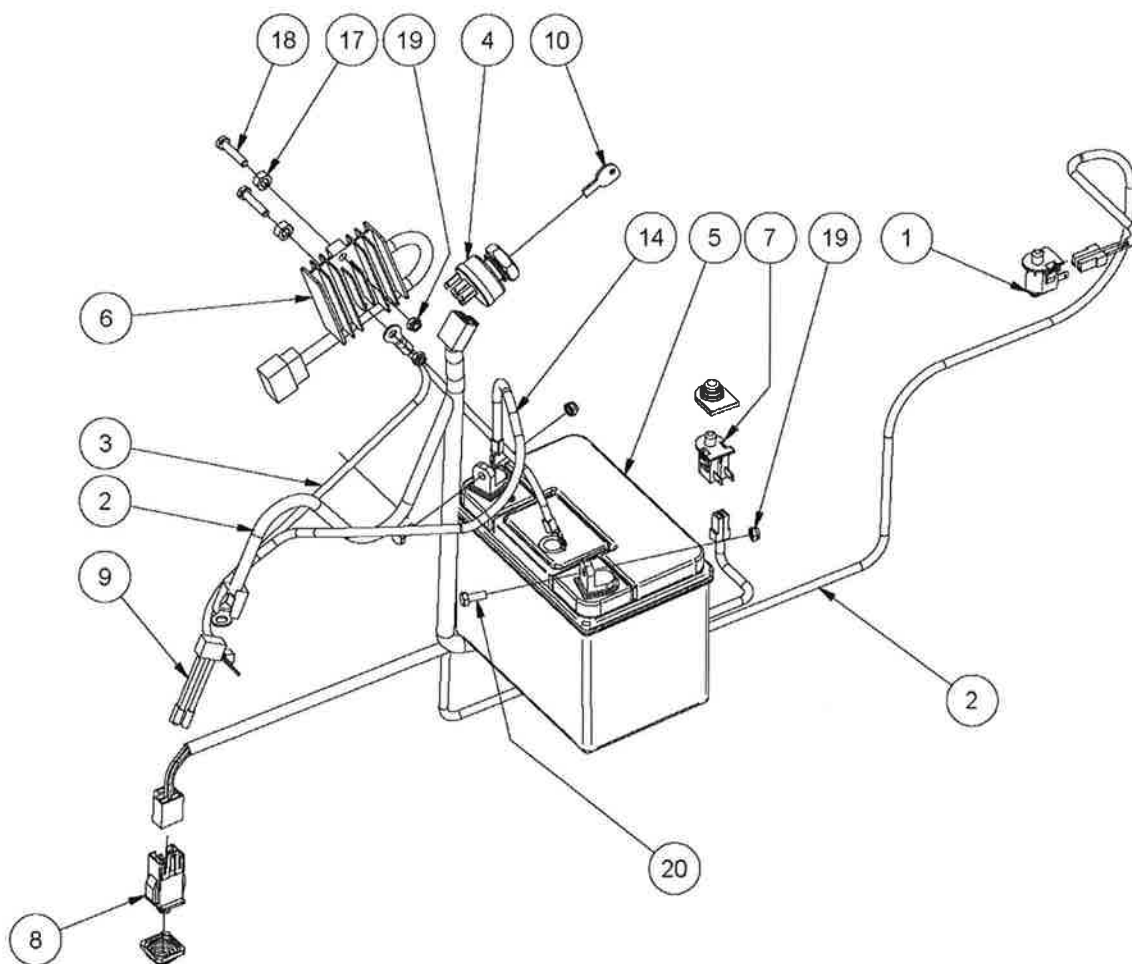
SEAT SWITCH ITEM 1		
POSITION	NC	NC
NORMAL	○	○
DEPRESSED		

CUTTER SWITCH ITEM 8		
POSITION	NC	NC
NORMAL	○	○
DEPRESSED		

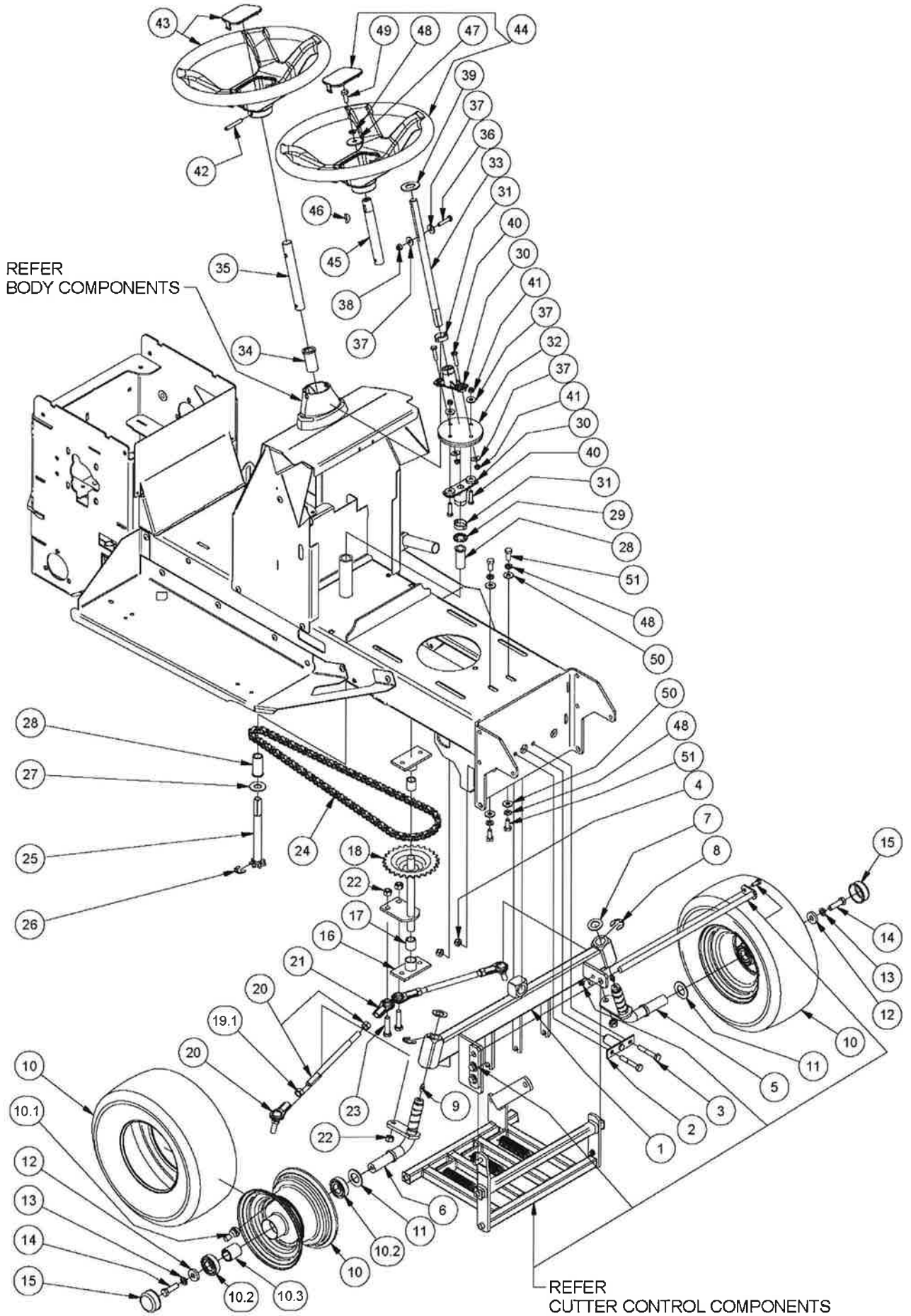
IGNITION SWITCH ITEM 4					
POSITION	S	L	M	B	G
OFF				○	○
ON		○	○	○	○
START	○	○	○		

16HP Honda Only Electrical Components Schematic

ITEM	PART NUMBER	DESCRIPTION	QTY
		Engine, 16.0hp, V2cyl, Elec, Hon, GXV530	
1	AM16512F	Switch, Seat	1
1.1	SP1PNC5M	Switch, Plunger	1
2	A143026	Harness, Wiring, Main	1
3	13369	Lead, Battery, Black, 3term	1
4	13125	Switch, Key	1
5		Battery, Automotive, 12V, CMFU1, 9PL, 240CCA	1
6		Regulator/Rectifier, Honda	1
7	SKIT132	Switch, Plunger, Inc Cover	1
8	SKIT133	Switch, Plunger, Inc Cover	1
9	A143113	Harness, Wiring, Engine, Hon, 16.0 Hp	1
10	AM015	Pair, Key, Ignition	1
14	84132	Lead, Battery, Red	1
16		Fuse, Glass, 3 Ag, 15 Amp	1
17	NHM8	Nut	2
18	B0635M	Bolt	2
19	NHM6	Nut	2
	NM6NT	Nut	2
20	SH0616M	Screw	2
21	AM211	Hour Meter, Optional	



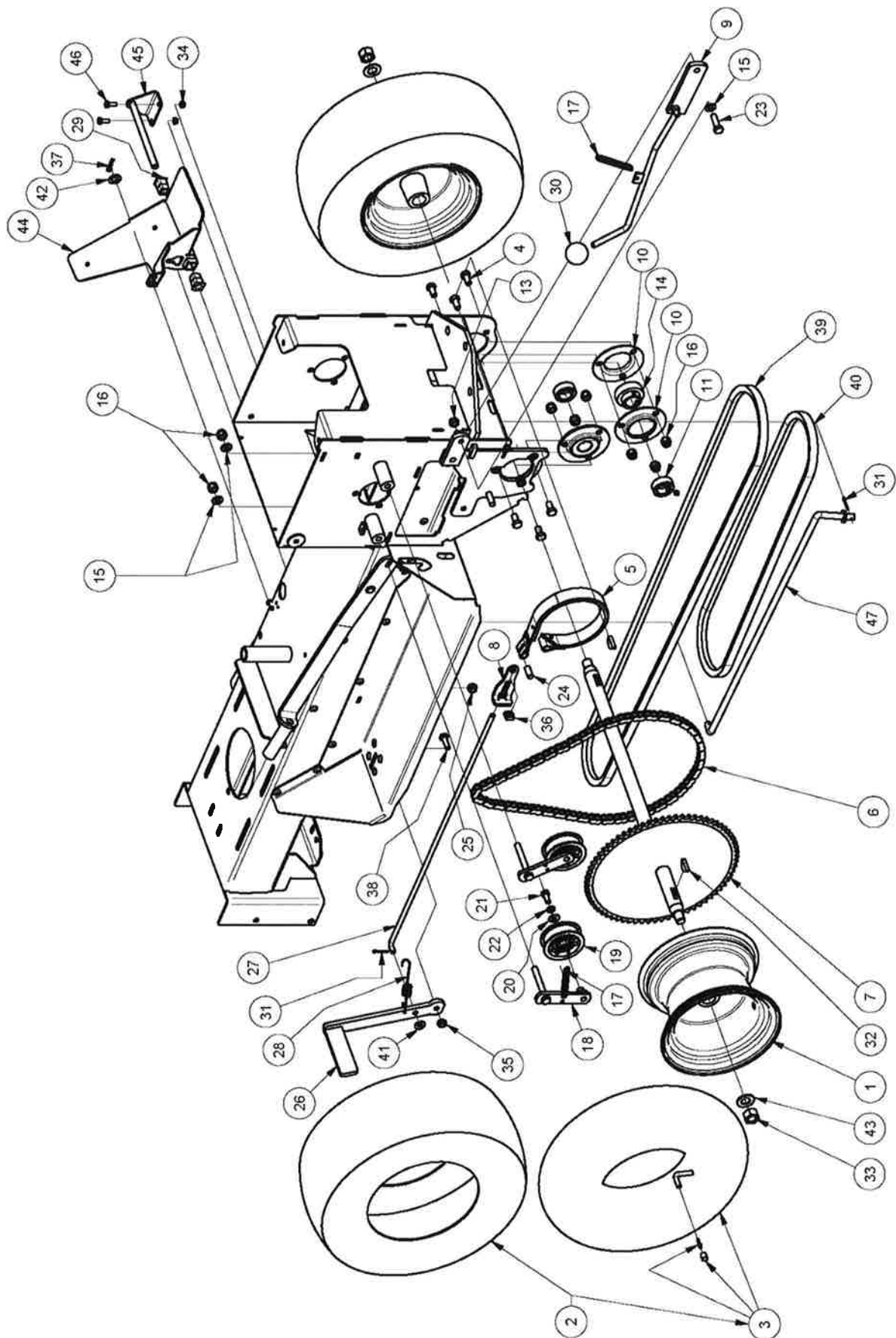
Steering Components



Steering Components

ITEM	PART NUMBER	DESCRIPTION	QTY	ITEM	PART NUMBER	DESCRIPTION	QTY
1	A142103R	Beam, Axle, Front, Red	1	40	B0625M	Bolt	4
2	13242	Pin, Pivot, Front Axle	1	41	NM6NT	Nut	6
3	B0850M	Bolt	2	42	DP10	Pin, Roll, Spring	1
4	NM8NT	Nut	4	43	SW13	Wheel, Steering Incl Cover	1
5	13203	Axle, Stub, Left	1	44	SW13T	Wheel, Steering Incl Cover	1
6	13204	Axle, Stub, Right	1	45	A131109Z	Shaft, Steering, Top	1
7	AM336	Washer, Sealing, Shaft	2	46	SK09	Key	1
8	C02	Circlip, Ext, 'E' Type	2	47	W052003	Washer	1
9	GNTF3	Nipple, Grease	2	48	WS050216	Washer, Lock, Spring	5
10	A139032	Wheel	2	49	SH0512F	Screw	1
10.1	VSS	Valve, Tubeless, Snap-In	1	50	W05M202	Washer	6
10.2	BB204212N	Bearing, Ball	2	51	SH0512C	Screw	4
10.3	AM021	Sleeve, Spacer, Bearing	1				
11	W20MN	Washer	2				
12	13107	Washer	2				
13	WS06081.5	Washer, Lock, Spring	2				
14	SH0620F	Screw	2				
15	A116060	Cap, Hub	2				
16	AM255	Steering Idler Shaft Mtg Brkt	2				
17	AM215	Idler Bush	2				
18	90271	Idler, Steering	1				
19	AM256	Tie Rod Inc. Nuts	2				
19.1	N06F	Nut	2				
20	RE38INTSTUD	End, Rod, Stamp, Unf, 3/8"Int, Stud Ball	2				
21	AM337	End, Rod, Stamp, 3/8"Int, Shoulder Ball	2				
22	N06FC	Nut, Hex, Conelok	4				
23	B0624F	Bolt	2				
24	AM018	Chain, Steering Incl Link	1				
	SAM019	Connecting Link					
25	95006	Shaft, Steering, Lower	1				
26	C05	Circlip, Ext, "E"Type	1				
27	W092016	Washer	1				
28	AM017C1	Steering Shaft Bush With Collar	2				
29	89100	Fastener, Push on, Round	1				
30	89097	Steering Shaft Yoke	2				
31	OC21	"O" Clip	2				
32	AM25399J	Disc, Universal Joint	1				
33	A131087Z	Shaft, Steering, Upper	1				
34	13012	Bush, Flanged, Nylon	1				
35	A131089Z	Shaft, Steering, Top	1				
36	B0630M	Bolt	1				
37	W041216	Washer	6				
38	NM6N	Nut	1				
39	W122414	Washer	1				

Model A14311M, A14511M:- Rear Axle Drive Components

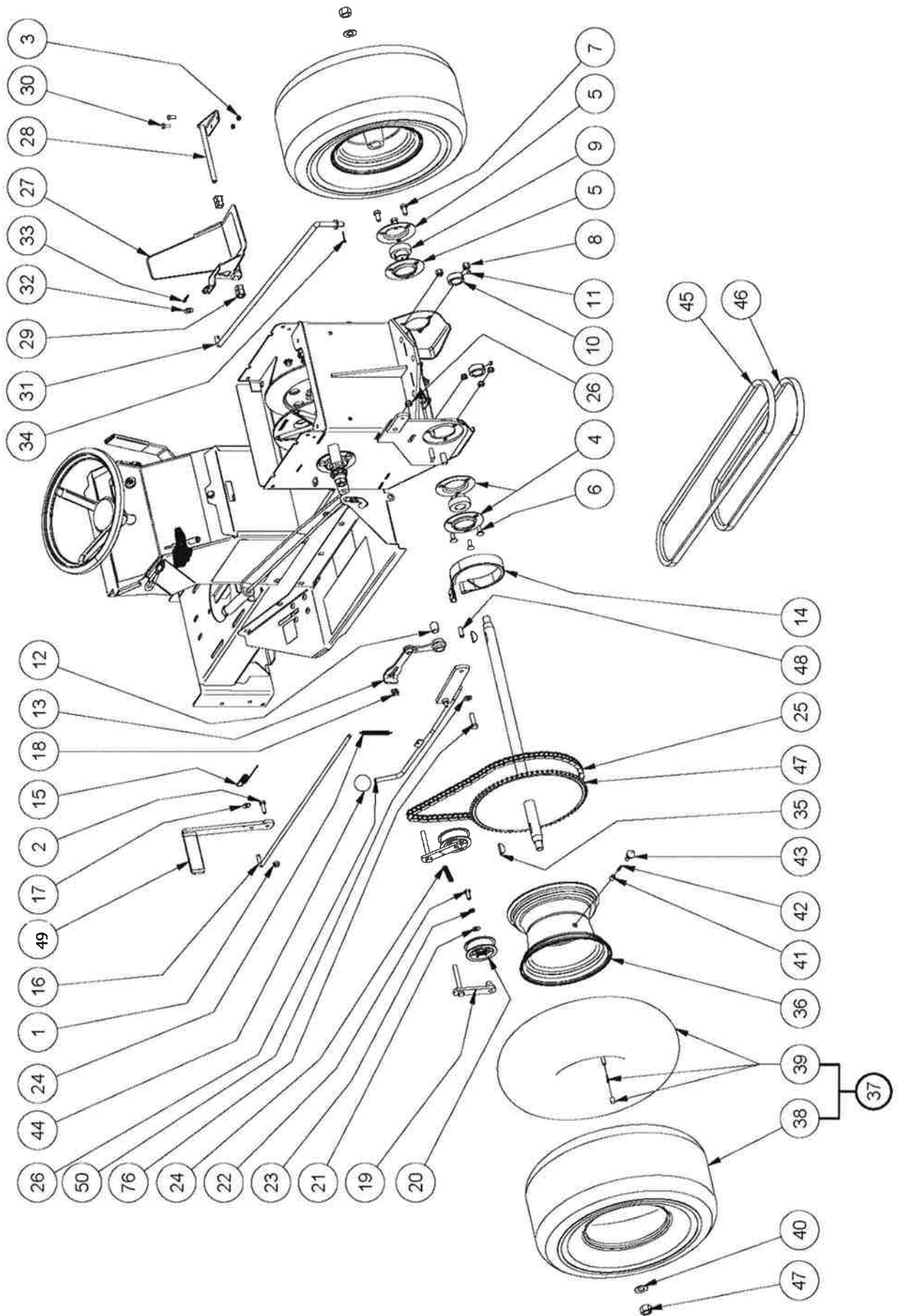


Model A14311M, A14511M:- Rear Axle Drive Components

ITEM	PART NUMBER	DESCRIPTION	QTY
1	AM194	Rim	2
2	TT650X8	Tyre & Tube	2
3	STU650X8	Tube	1
4	SH0612C	Screw, Set	12
5	1302305E	Brake, Ext, Drum Type	1
	13023-02	Lining	1
	PR0207ALCSK	Rivet	2
6	231901	Drive Chain Incl Con Link	1
	S231904	Connecting Link	1
7	23190308J	Rear Axle	1
8	95106	Bracket, Brake Actuator	1
9	A122109Z12C	Lever, Brake, Park	1
10	AM024	Flangette 25mm	4
11	AM0251	Lock Collar 25mm	2
13	N06CN	Nut	1
14	BB25SAN	Bearing, Ball	2
15	W061216	Washer	10
16	NF06CN	Nut	8
17	AM288	Spring, Extension	3
18	A142362Z	Arm, Chain Tensioner	2
19	PIFBB126598A	Idler, Flat	2
20	W051218	Washer	2
21	SH0512C	Screw	2
22	WS050216	Washer, Lock, Spring	2
23	B0620C	Bolt	1
24	95104	Pin, Brake, Actuator	1
25	N06CN	Nut	1
26	95103	Pedal, Brake	1
27	A122105Z	Drum Brake, Rod	1
28	AM183	Spring, Extension, Park Brake	1
29	AM230	Bush - Plastic	2
30	AM290	Hand Brake Knob	1
31	CP3-220	Pin, Split	2
32	K18	Key	2
33	N10F	Nut	2
34	NM6NT	Nut	2
35	NM8NT	Nut	1
36	NS05C	Nut, Sqr	1
37	RP01	Pin, 'R'	1
38	SH0825M	Screw	1
39	V42	Belt, V	1
40	V44	Belt, V (32" Cut Only)	1
	V60	Belt, V (38" Cut Only)	1
41	W051218	Washer	1
42	W071416	Washer	1
43	W102015	Washer	2
44	A108013R	Pedal, Drive	1
45	A116015Z	Pivot, Pedal, Drive	1
46	SH0616M	Screw	2
47	A108011Z	Link, Drive, Long	1

OWNERS MANUAL FOR MODELS A14311M, A14411M, A14511M

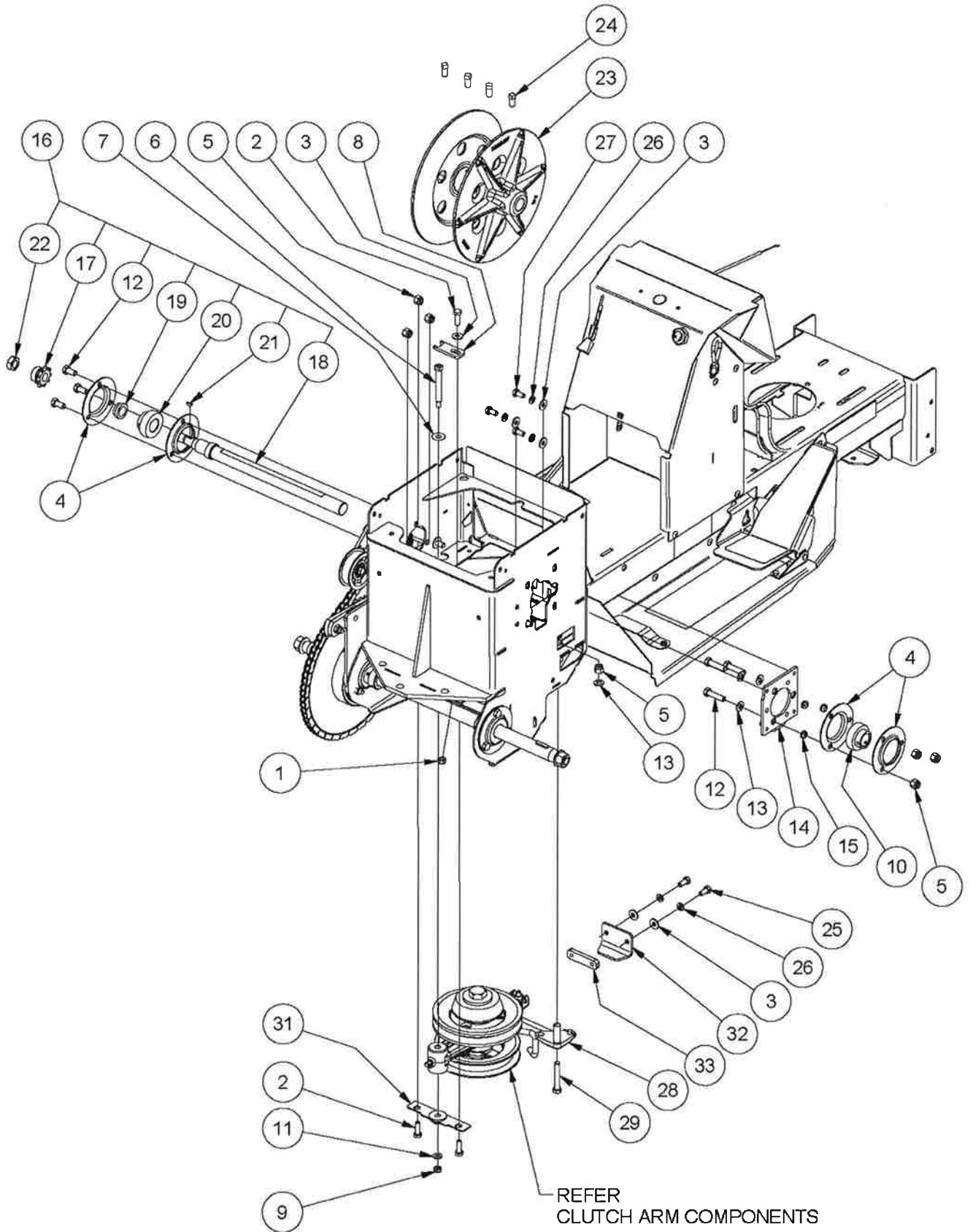
Model A14411M:- 16.5HP Rear Discharge—Control and Drive Components



Model A14411M:- 16.5HP Rear Discharge—Control and Drive Components

ITEM	PART NUMBER	DESCRIPTION	QTY
1	NM8NT	Nut	1
2	SH0825M	Screw	1
3	NM6NT	Nut	2
4	A125010	Flangette 25mm	2
5	AM024	Flangette 25mm	2
6	BCHSNM8X20	Bolt	3
7	SH0612C	Screw	3
8	NF06CN	Nut	6
9	BB25SAN	Bearing	2
10	AM025	Lock Collar	2
11	GS0505C	Screw	2
12	13025	Nylon Bush, Brake Lever	1
13	A125007Z	Lever, Brake Actuator	1
14	1302305E	Brake, Ext, Drum Type c/w Lining	1
	13023-02	Lining	1
15	AM183	Spring, Extension, Park Brake	1
16	A122105Z	Drum Brake Rod	1
17	W051218	Washer	1
18	NS05C	Nut, Sqr	1
19	A142362Z	Arm, Chain Tensioner	2
20	PIFBB126598A	Idler, Flat, Flg, Brg, Sealed	2
21	W051218	Washer, Flat	2
22	SH0512C	Screw	2
23	WS050216	Washer, Lock, Spring	2
24	AM288	Spring	2
25	231901	Drive Chain Incl Con Link	1
	S231904	Chain Conn Link	
26	A125109Z	Lever, Brake, Park	1
27	A108013R	Pedal, Drive	1
28	A116015Z	Pivot, Pedal, Drive	1
29	AM230	Bush - Plastic	2
30	SH0616M	Screw	2
31	A108011Z	Link	1
32	W071416	Washer, Flat	1
33	RP01	Pin, 'R'	5
34	CP3-220	Pin, Split	2
35	K18	Key	2
36	AM194	Rim	2
37	TT850X8	Tyre And Tube	1
39	STU850X8	Tube	2
40	W102015	Washer, Flat	2
44	AM290	Hand Brake Knob	1
45	V42	Belt, V	1
46	V44	Belt, V 32" Cut only	1
47	231903B08J	Axle, Rear, Inc Nuts	1
48	95104	Pin, Brake, Actuator	1
49	95103	Pedal, Brake	1

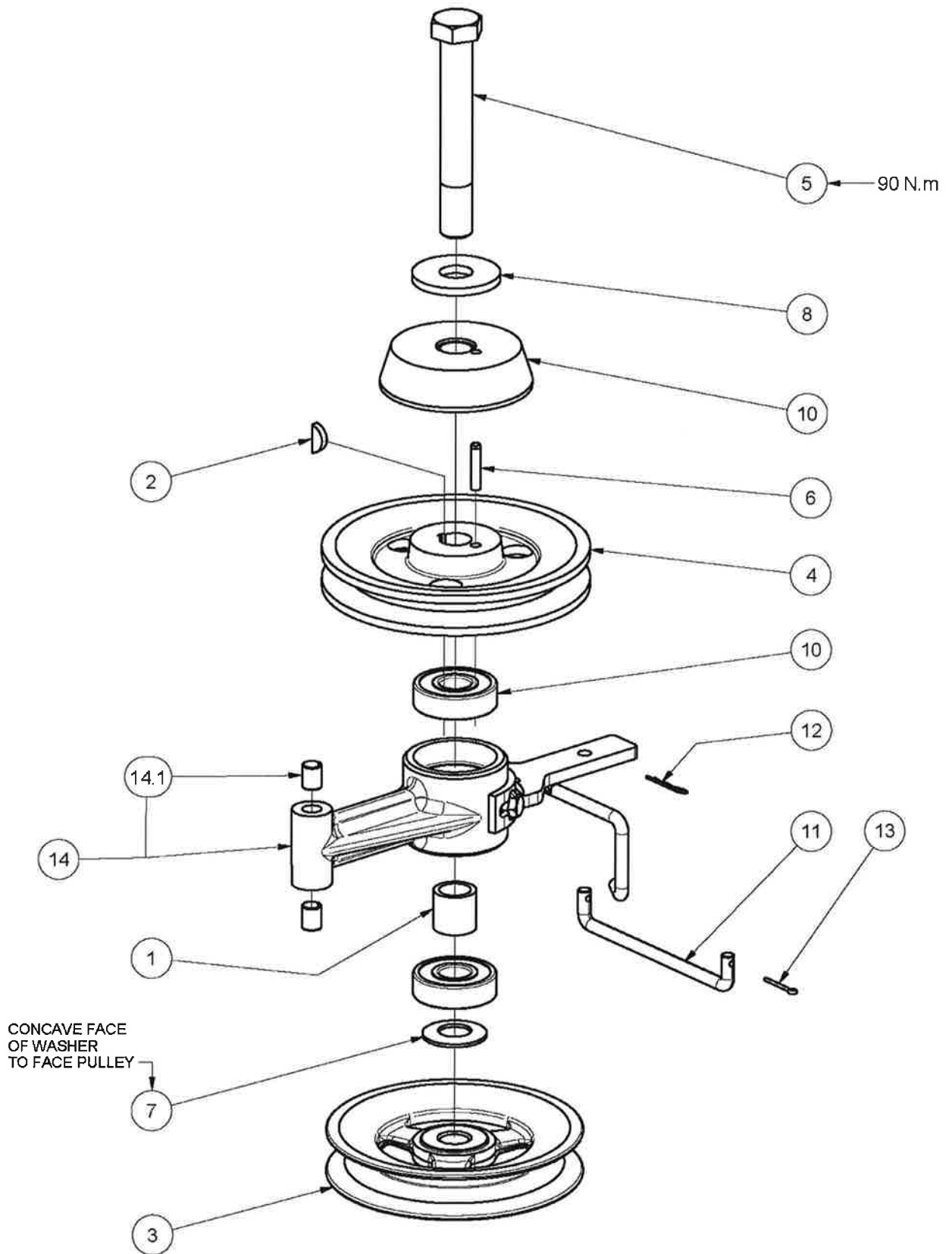
Transmission Components



Transmission Components

ITEM	PART NUMBER	DESCRIPTION	QTY
1	NM8NT	Nut	1
2	SH0825M	Screw	3
3	W05M202	Washer	4
4	AM024	Flangette	4
5	NF06CN	Nut	7
6	90276	Bolt, Pivot, Arm, Clutch	1
7	WW0616	Washer, Wave	1
8	90297	Keeper, Bolt, Pivot	1
9	NHCM8	Nut, Hex, Conelok	1
10	BB25SAN	Bearing	1
11	W08MN	Washer	1
12	B0624C	Bolt	3
13	W061216	Washer	3
14	9029808H	Mount, Adjust, Alignment	1
15	WG06x08	Grommet, Wiring	3
16		Sub-Assy, Intershaft	1
17	SKIT65	Intershaft Sprocket Incl Key	1
18	AM363	Shaft, Mounting, Clutch Plate	1
19	AM364	Sleeve, Spacer, Shaft	1
20	BB25SAN	Bearing, Ball	1
21	SK03	Key	1
22	N10FT	Nut	1
23	AM197	Clutch Plate	2
24	SS0612W	Screw, Set, Sq Hd	4
25	SH0820M	Screw	2
26	WS050216	Washer, Lock, Spring	5
27	SH0816M	Screw	3
28	AM182	Clutch Rod Pivot Lever	1
29	B0636C	Bolt	1
31	A125005Z	Mount, Pivot, Lower, Rear Bagger Only	1
	90289	Mount, Pivot, Lower	1
32	A126038Z10G	Bracket, Adjust, Support, Tang	1
33	A126170Z	Restraint, Tang	1
	A126040Z	Restraint, Tang, Used With 9028510G Only	1

Model A14311M:- Clutch Arm Components (C1632BS & C1638BS Only)

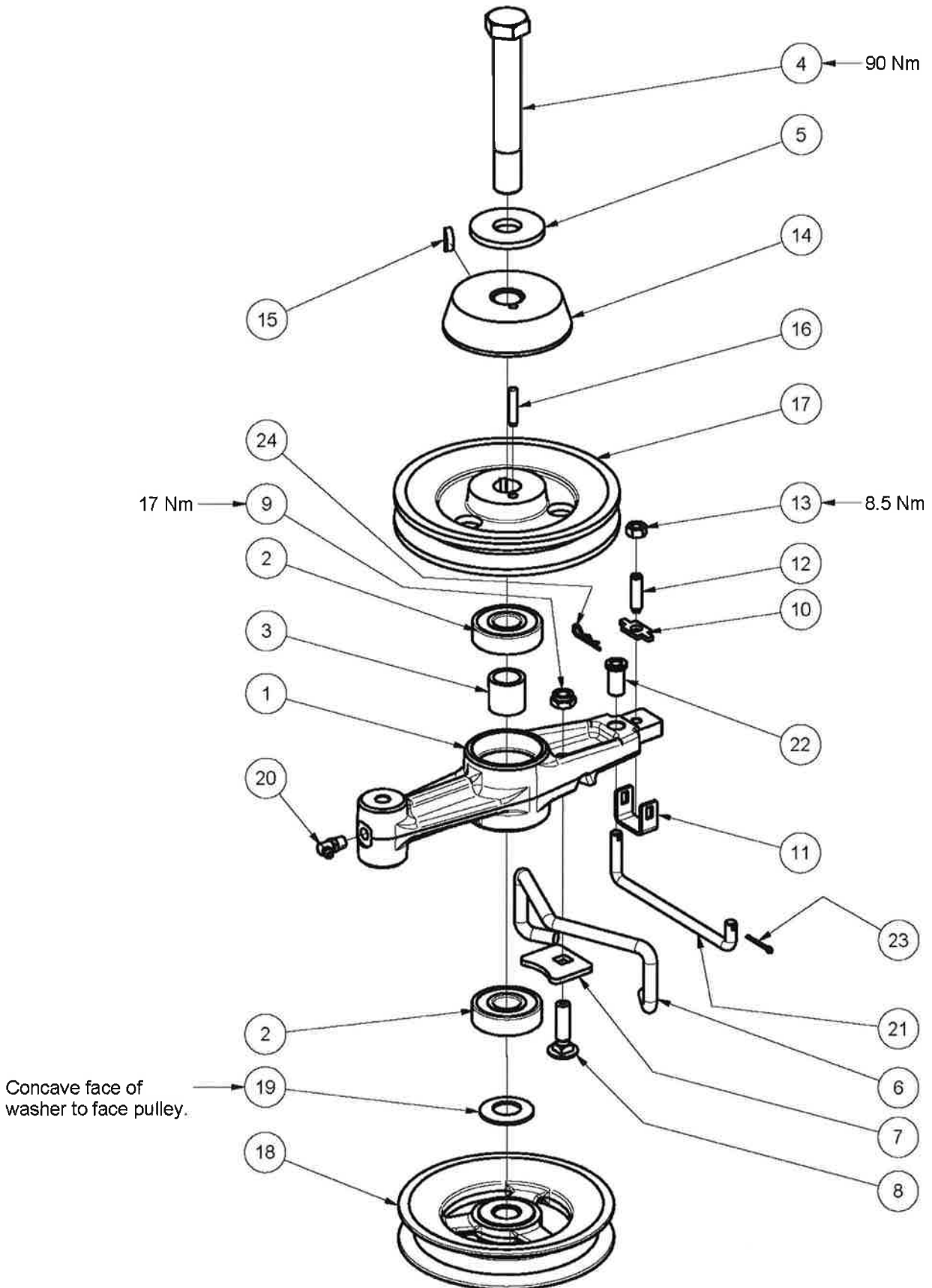


Model A14311M:- Clutch Arm Components (C1632BS & C1638BS Only)

ITEM	PART NUMBER	DESCRIPTION	QTY
1	AM072	Sleeve, Spacer, Bearing	1
2	SK09	Key	1
3	25200109B	Clutch Pulley Lower	1
4	AM326	Clutch Pulley	1
5	AM204J3	Clutch Shaft	1
6	PDM0630	Pin	1
7	WSCM20402.0	Washer, Spring, Conical	1
8	W205505B	Washer	1
9	BB205215NS	Bearing, Ball	2
10	CC2095L	Cone, Clutch	1
11	AM238	Rod, Clutch, Short	1
12	RP01	Pin, 'R'	1
13	CP3-220	Pin, Split	1
14	9028610G	Arm, Clutch, Inc Bushes	1
14.1	BBC101215	Bearing, Bush	2

Model A14311M, A14511M & A14411M:-Clutch Arm Components (C1632BRBS, C1332HS, C1638HT, C1932BS, C1938BS ONLY—NOT C1632BS or C1638BS)

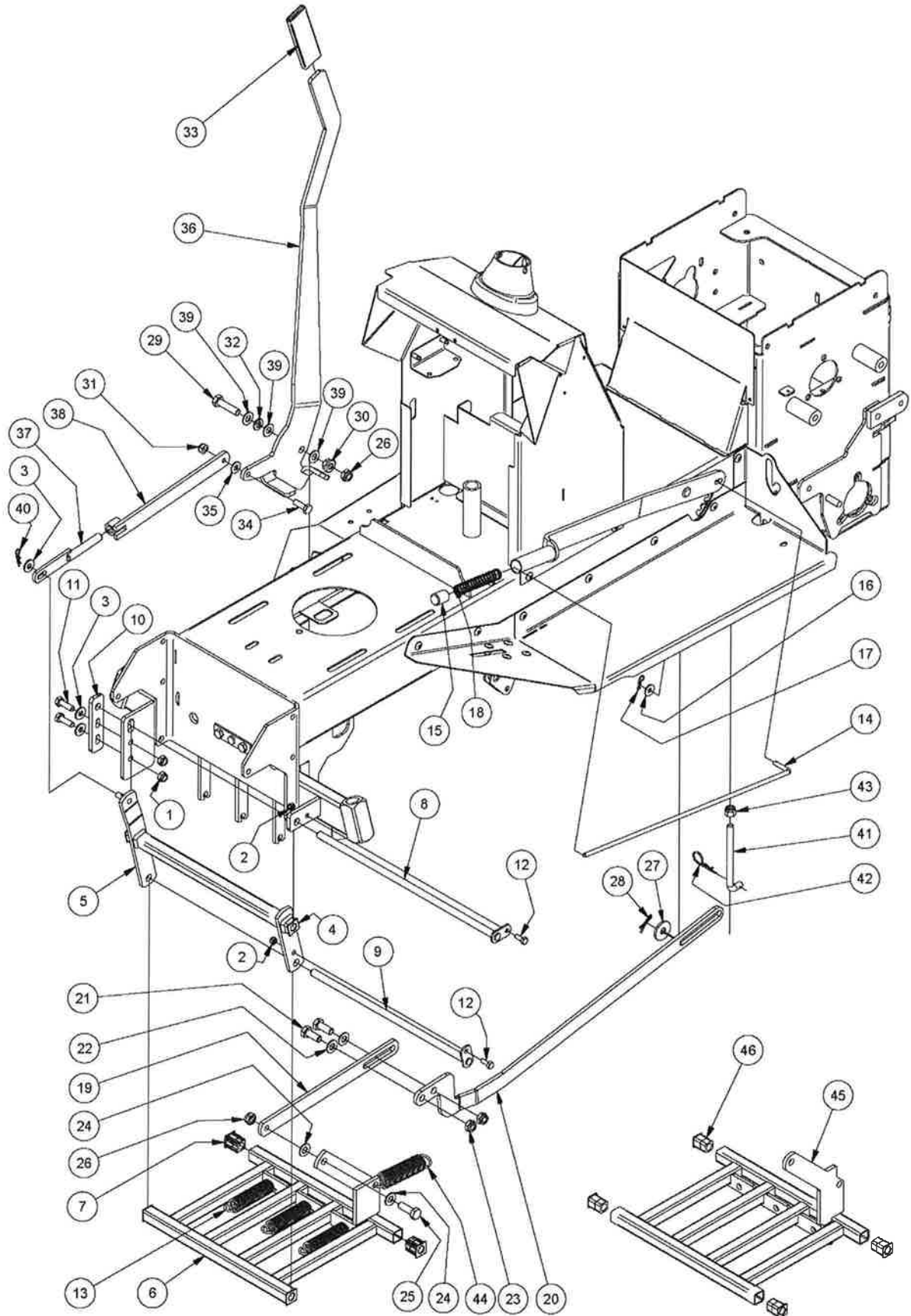
A132012 Clutch Assembly Components



Model A14311M, A14511M & A14411M:-Clutch Arm Components (C1632BRBS, C1332HS, C1638HT, C1932BS, C1938BS ONLY—NOT C1632BS or C1638BS)

ITEM	PART NUMBER	DESCRIPTION	QTY
1	A132013B	Arm, Clutch	1
2	BB205215NS	Bearing	2
3	AM072	Sleeve, Spacer, Bearing	1
4	AM204J3	Clutch Shaft	1
5	W205505B	Washer	1
6	A132015Z	Guide, Belt	1
7	A132017Z	Clamp, Guide, Belt	1
8	BCHSNM10X40	Bolt	1
9	NM10NT	Nut	1
10	A132021Z	Retainer, Shoe	1
11	A132019H	Shoe	1
12	GS0830M	Screw	1
13	NHM8	Nut	1
14	CC2095L	Cone, Drive	1
15	SK09	Key	1
16	PDM0630	Pin	1
17	AM326	Clutch Pulley	1
18	25200109B	Pulley, Pto	1
19	WSCM20402.0	Washer, Spring, Conical	1
20	GNTF7	Nipple, Grease	1
21	A132025Z	Link, Drive, Short	1
22	A132027Z	Sleeve, Withdrawal, Link	1
23	CP3-220	Pin, Split	1
24	RP01	Pin, 'R'	1

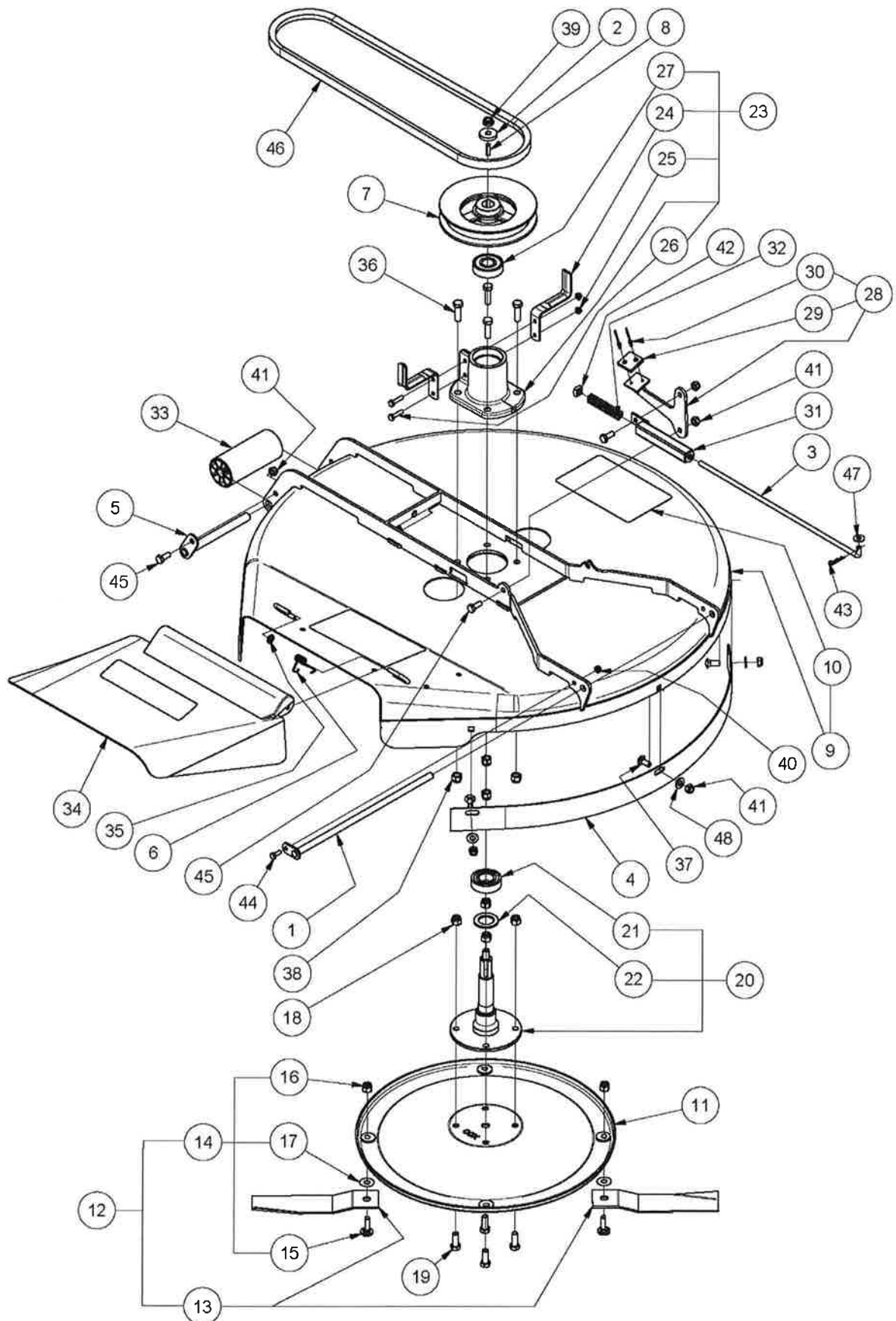
Cutter Control Components



Cutter Control Components

ITEM	PART NUMBER	DESCRIPTION	QTY
1	NM8NT	Nut	4
2	NM6NT	Nut	3
3	W05M202	Washer	3
4	AM369	Bush	2
5	A142104R	Link, Drop, Disengagement, Cutter	1
6	KIT234	Kit, Link, Drag, Attachment, Mowing, Red, Inc Bushes	1
7	AM369	Bush	4
8	90022	Pin, Pivot	1
9	13016	Pin	2
10	90012	Connecting Link Adjuster Bracket	1
11	SH0825M	Screw	2
12	SH0616M	Screw	3
13	AM040	Spring, Extension, Cutter Belt	3
14	A108003Z	Rod, Adjust, Height, Cut	1
15	AM013Q2	Height Adjustment Pawl Push Rod Button	1
16	W041216	Washer	1
17	RP04	Pin, 'R'	1
18	AM012	Height Adjustment Pawl Push Rod Spring	1
19	A139008Z	Link, Adjust, Suspend, Front	1
20	A139010Z	Link, Float, Suspend, Rear	1
21	SH1025M	Screw	2
22	W10MN	Washer	2
23	NM10NT	Nut	2
24	W10MN	Washer	2
25	SH1030M	Screw	1
26	NHCM10	Nut	2
27	W0620HD	Washer	1
28	CP3-220	Pin, Split	1
29	B1040M	Bolt	1
30	NFM10	Nut, Hex, Flange	1
31	NM8NT	Nut	1
32	WSM10X3.7X2.5	Washer, Lock, Spring	1
33	AM009	Hand Grip	1
34	SH0825M	Screw	1
35	W051218	Washer	1
36	A131105R	Lever, Disengage, Cutter	1
37	A139020Z	Link, Adjust, Disengagement	1
38	A139018Z	Link, Disengagement	1
39	W10M	Washer	3
40	RP01	Pin, 'R'	1
41	AM185BO	Cutter Lifting Link	1
42	RP03	Pin, 'R'	1
43	NF06CN	Nut	1
44	AM145	Spring, Extension	1
	A118039	Spring, Extension, 38" Mowing Attachment	1
45	A142107R	Link, Drag, Attachment, Mowing	1
46	AM230	Bush	4

Model A11308F:- 805 mm (32") Mowing Attachment



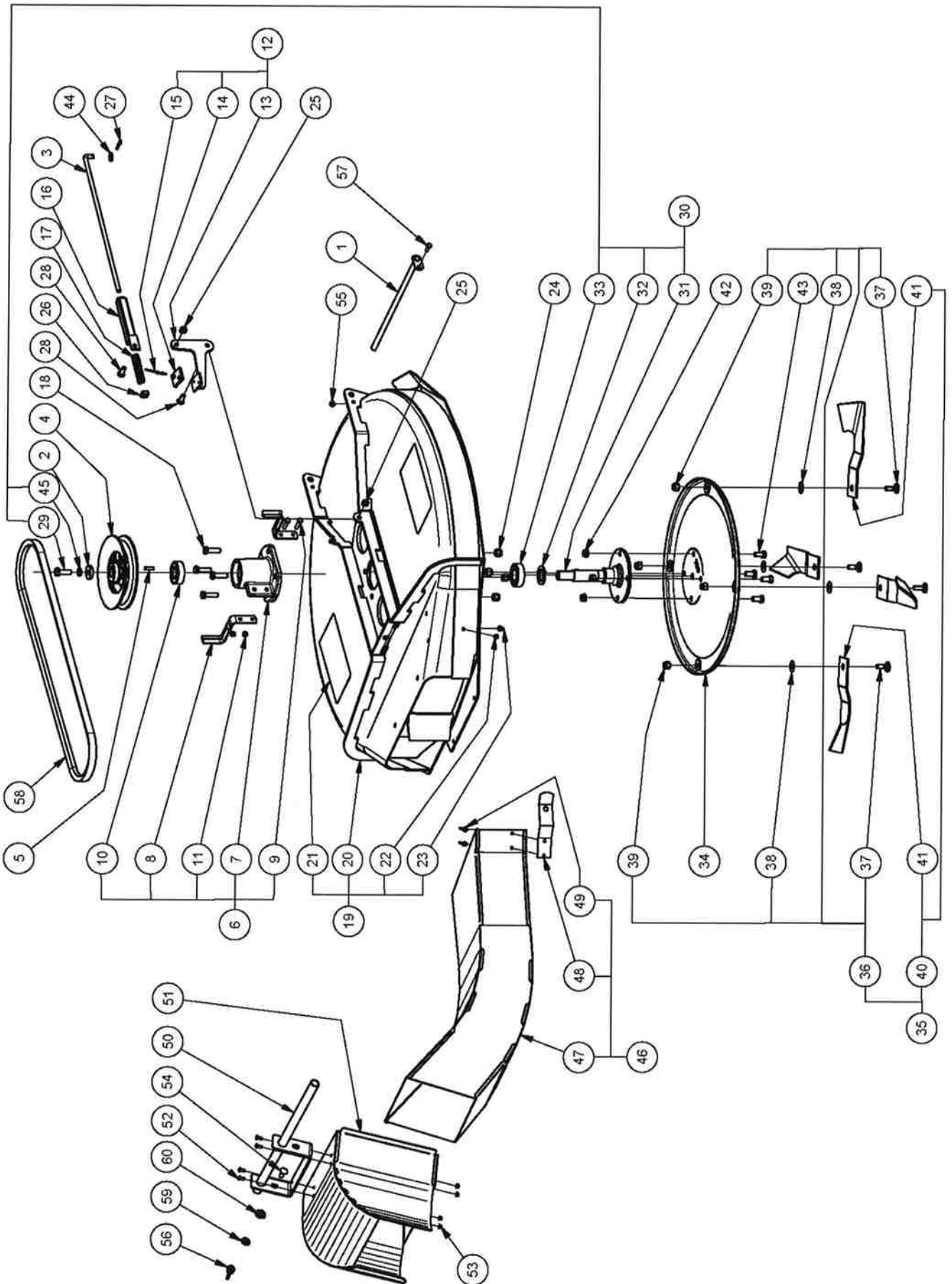
**** Optional Accessory—C94 Mulching Kit**

Model A11308F :- 805 mm (32") Mowing Attachment Side Discharge

ITEM	PART NUMBER	DESCRIPTION	QTY
1	13016	Pin	1
2	13247	Washer	1
	WSM10X3.7X2.5	Washer	1
3	251301	Rod, Adj, Cutter Brake	1
4	91002	Guard, Cutter	1
5	92102	Pin, Roller, Rear	1
6	A100003	Spring, Torsion, Deflector	1
7	A100017	Pulley, Cutter	1
8	A100025	Key	1
9	KIT212	Kit, Deck, Cutter	1
10	DEC116	Decal, Danger, Mowing Attachment	2
11	AM07604A	Disk, Cutter	1
12	SKIT54N	32" Hd Stepped Blade/Bolt/Nut Set	1
13	SMB198S	Set, Blade, Heavy Duty, Stepped	2
14	SKIT01D1	Blade Bolt & Nut Set	1
18	N06CN	Nut	4
19	SH0612C	Screw, Hex	4
20	A11300712B	Sub-Assy, Spindle, Flanged	1
21	BB255215NN	Bearing, Ball	1
22	A100021Z	Washer, Flat	1
23	A113009	Sub-Assy, Housing, Bearing Cutter	1
24	AM073	Belt Guides	2
25	NM6NT	Nut	2
26	B0625M	Bolt	2
27	BB205215NS	Bearing, Ball	1
28	A113010	Lever, Brake, Cutter	1
29	AM033I95	Pad, Brake, Cutter	1
30	PR0205	Rivet	2
31	AM034H0	Cutter Head Brake Adj Brkt	1
32	AM035	Spring, Compression, Cutter Brake	1
33	AM036D9	Roller Plastic	1
34	AM259	Deflector, Cox Logo	1
35	AM274	Fastener, Push on, Round	1
36	B0620C	Bolt	4
37	BCHSNM8X20	Bolt, Cup, Sq Neck	3
38	NF06CN	Nut	4
39	SH1030M	Screw	1
40	NM6NT	Nut	1
41	NM8NT	Nut	6
42	NS05C	Nut, Sqr	1
43	RP01	Pin, 'R'	1
44	SH0616M	Screw	1
45	SH0820M	Screw	3
46	V44	Belt, V	1
47	W051218	Washer	1
48	W061216	Washer	3

OWNERS MANUAL FOR MODELS A14311M, A14411M, A14511M

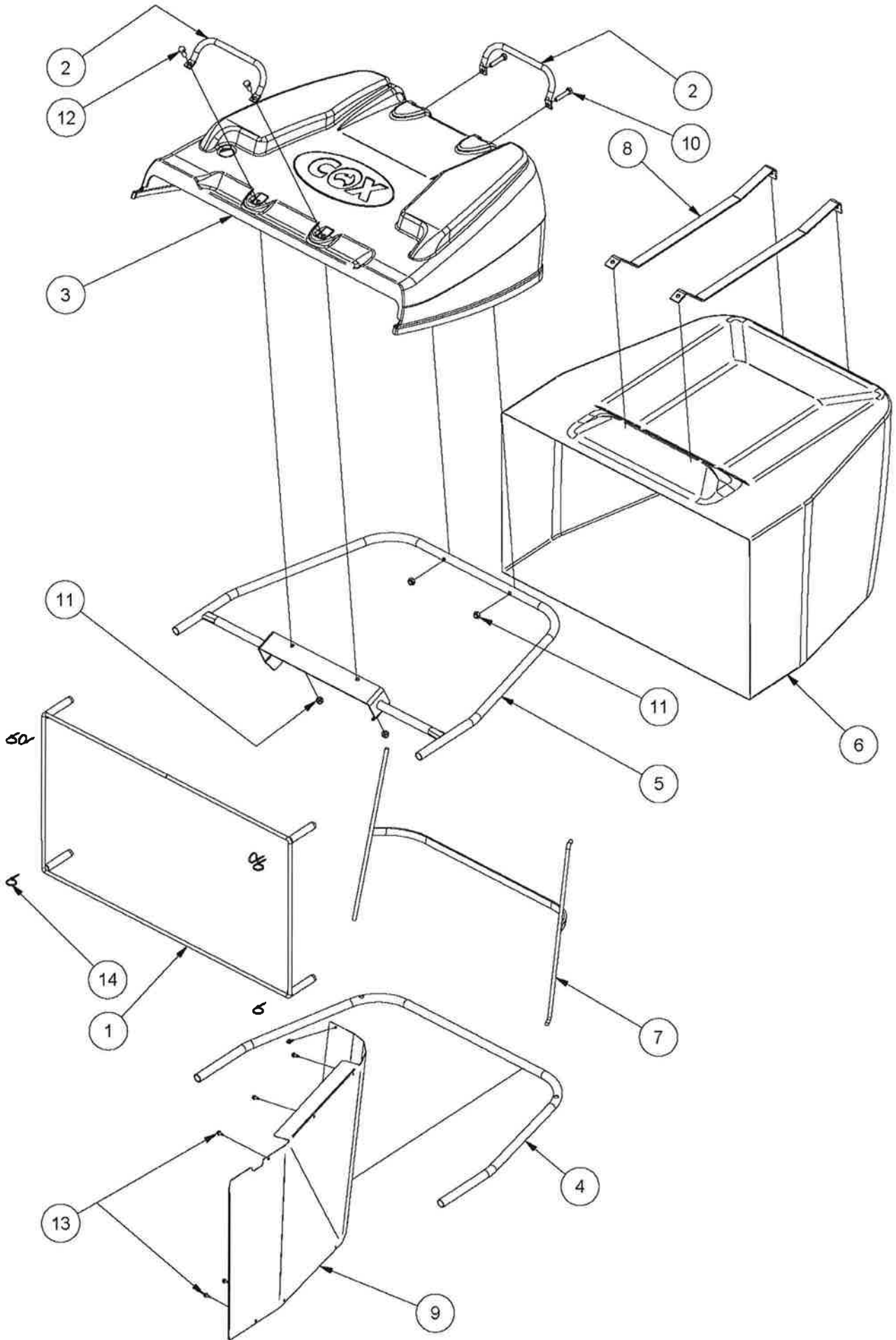
Model A12808K:- A12808K 805mm (32") Rear Discharge Mowing Attachment



Model A12808K:- 805mm (32") Rear Discharge Mowing Attachment

ITEM	PART NUMBER	DESCRIPTION	QTY
1	13016	Pin	1
2	13247	Washer	1
3	251301	Rod, Adj, Cutter Brake 387mm	1
4	A100017	Pulley, Cutter, CI	1
5	A100025	Key	1
6,7	A113009	Sub-Assy, Housing, Bearing, Cutter	1
8	AM073	Belt Guides	2
9	B0625M	Bolt	2
10	BB205215NS	Bearing	1
11	NM6NT	Nut	2
12,13	A113010	Lever, Brake, Cutter	1
14	AM033I95	Pad, Brake, Cutter	1
15	PR0205	Rivet	2
16	AM034H0	Cutter Head Brake Adj Brkt	1
17	AM035	Spring, Compression, Cutter Brake	1
18	B0620C	Bolt	4
19,20,21	KIT213	Kit, Deck, Cutter, 805(32"), Rear	1
21	DEC116	Decal, Danger, Mowing Attachment	2
22	NM5NT	Nut	1
23	SPM5X20	Screw, Pan	1
24	NF06CN	Nut	4
25	NM8NT	Nut	2
26	NS05C	Nut, Sqr	1
27	RP01	Pin, 'R'	1
28	SH0820M	Screw	2
29	SH1030M	Screw	1
30,31	A11300712B	Sub-Assy, Spindle, Flanged	1
32	A100021Z	Washer	1
33	BB255215NN	Bearing	1
34	AM07604A	Disk, Cutter	1
35	KIT248	Pair, Blade+Bolt+Washer+Nut, Air, Extra	2
36,37,38,39	SKIT01D1	Blade Bolt & Nut Set	1
40,41	SMB198H	Pair, Blade, Mower, Swingback, Airflow, Extra	1
42	N06CN	Nut	4
43	SH0612C	Screw	4
44	W051218	Washer	1
45	WS103.52.2	Washer, Lock, Spring	1
46,47	A128010	Chute, Discharge, Rear, 805(32")	1
48	AM080	Plate, Lock, Catcher Chute	1
49	PR0306	Rivet	2
50	A128061B	Bracket, Deflector, Rear	1
51	A128065B	Chute, Deflector	1
52	BHSSM5X12	Screw, Button, Hex Soc	4
53	NM5NT	Nut	4
54	BCHSNM8X20	Bolt, Cup, Sq Neck	1
55	NM6NT	Nut	1
56	NW08M	Nut, Wing	1
57	SH0616M	Screw	1
58	V44	Belt, V	1
59	W051218	Washer	1
60	W10102225	Washer, Flat, Nylon	1

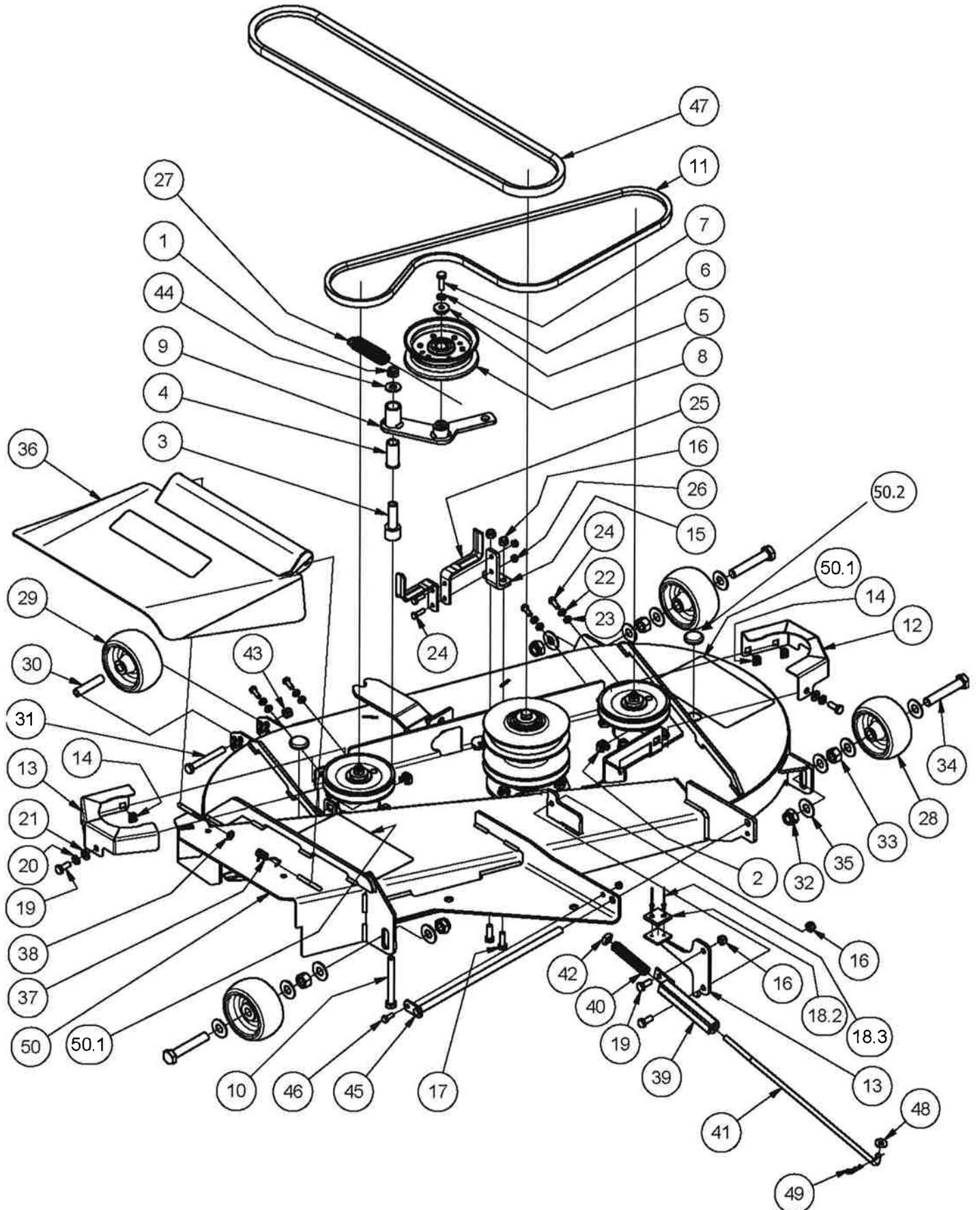
Model A12908K:- Rear Catcher Components



Model A12908K:- Rear Catcher Components

ITEM	PART NUMBER	DESCRIPTION	QTY
1	13312	Front, Catcher Frame	1
2	14154	Handle, Front, Grass Catcher,	2
3	A102003	Cover, Catcher, Plastic, Red	1
4	A129002B	Frame, Lower	1
5	A129005B	Frame, Upper	1
6	A129014	Bag, Catcher, Grass, Rear	1
7	A129018	Frame, Rear	1
8	A129021B	Bar, Tunnel, Top	2
9	A129061B	Deflector, Inner, Side	1
10	B0840M	Bolt,	2
11	NM8NT	Nut	4
12	SH0825M	Screw	2
13	ST0808D	Screw	8
14	CABLETIES	Cable Ties	6

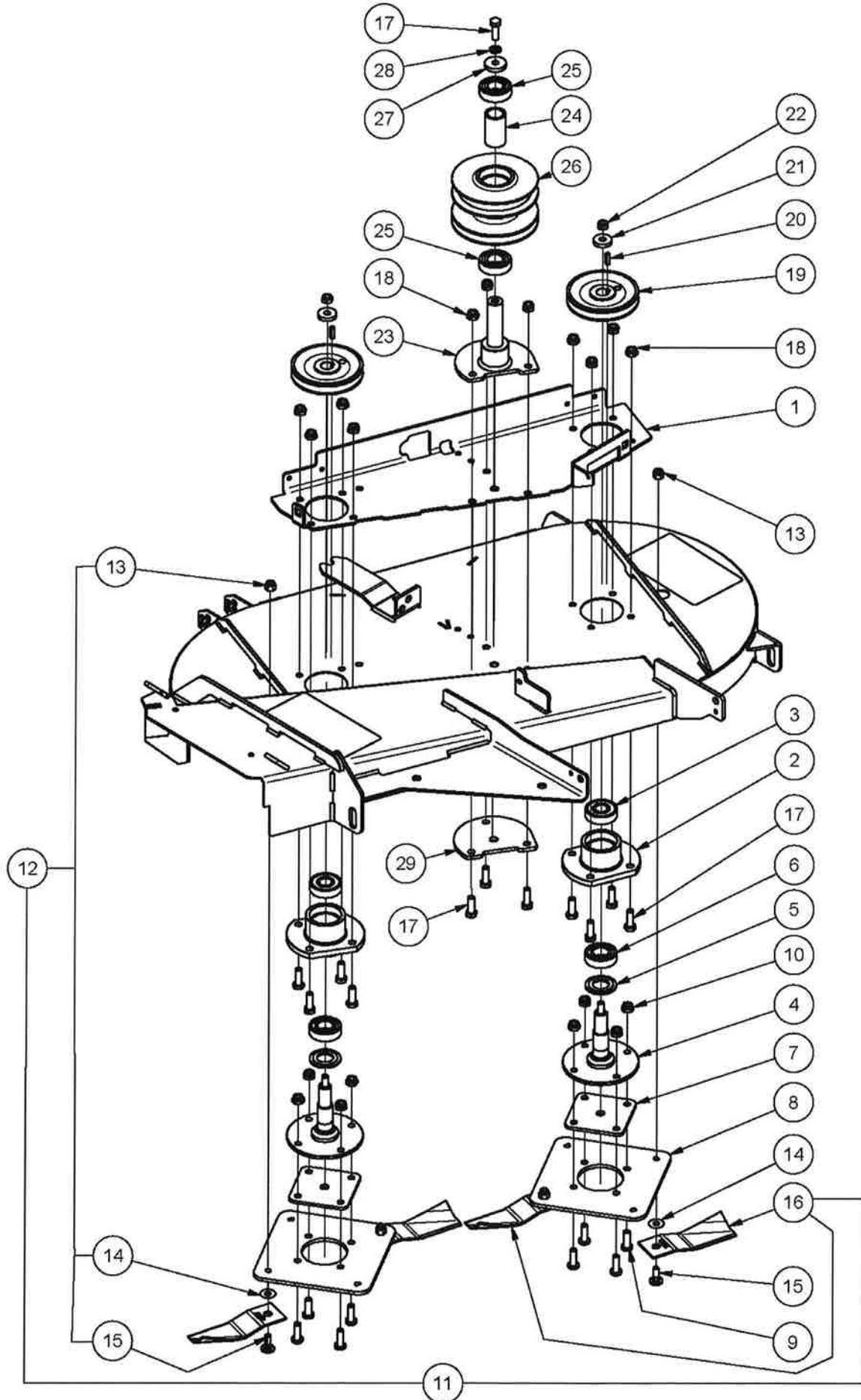
Model A15211M:- 960 mm (38") Mowing Attachment



Model A15211M:- 960 mm (38") Mowing Attachment

ITEM	PART NUMBER	DESCRIPTION	QTY
1	NM10NT	Nut	1
2	NCM8X4.75	Nut, Cage	2
3	A152043Z	Axle, Tensioner	1
4	AM017C1	Steering Shaft Bush With Collar	1
5	14025	Boss, Idler	1
6	WS050216	Washer, Lock, Spring	1
7	SH0825M	Screw	1
8	PIFBB03	Idler, Flat, Flg, Brg	1
9	A152017Z	Arm, Tensioner, Belt	1
10	B1090M	Bolt	1
11	V59	Belt, V	1
12	A152253R	Guard, Pulley, Left, Red	1
13	A152255R	Guard, Pulley, Right, Red	1
14	NCM6X1.6X9.5	Nut, Cage	4
15	98004	Bracket, Guide, Belt	1
16	NM8NT	Nut	4
17	SH0825M	Screw	2
18	A152272	Arm, Brake, Cutter	1
18.2	AM033I95	Pad, Brake, Cutter	1
18.3	PR0205	Rivet	2
19	SH0820M	Screw	4
20	WS050216	Washer, Lock, Spring	2
21	W08MN	Washer	2
22	WS040816	Washer, Lock, Spring	4
23	W06MN	Washer	4
24	SH0620M	Screw	6
25	AM073	Belt Guides	2
26	NM6NT	Nut	3
27	AM264	Spring, Extension	1
28	A152062	Wheel	3
29	AM25703H	Wheel	1
30	AM258	Flotation Wheel Bush	1
31	B0648C	Bolt	1
32	N14MN	Nut	3
33	NHM14	Nut	3
34	B1480M	Bolt,	3
35	W092016	Washer	12
36	AM259	Deflector	1
37	A100003	Spring, Torsion, Deflector	1
38	AM274	Fastener, Pushon	1
39	AM034H0	Cutter Head Brake Adj Brkt	1
40	AM035	Spring, Compression	1
41	13317	Rod, Adjust, Brake, Cutter	1
42	NS05C	Nut, Sqr	1
43	N06CN	Nut	1
44	W10M	Washer	1
45	13016	Pin	1
46	SH0616M	Screw	1
47	V60	Belt, V	1
48	W051218	Washer	1
49	RP01	Pin, 'R'	1
50	KIT242	Deck Incl Decals	1
50.1	DEC116	Decal, Danger, Mowing Attachment	2
50.2	A121512	Grommet	2

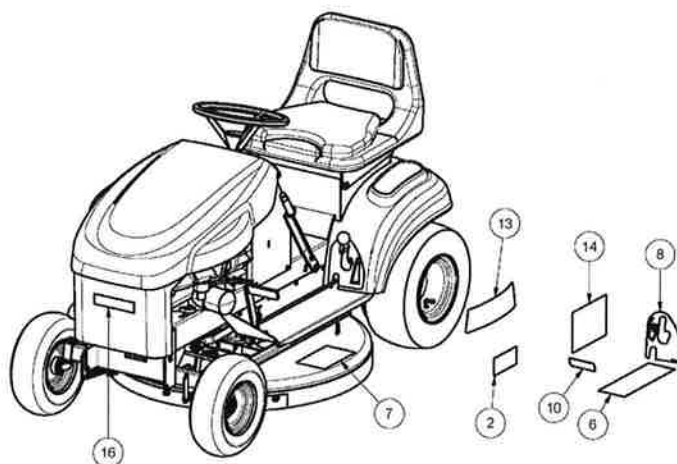
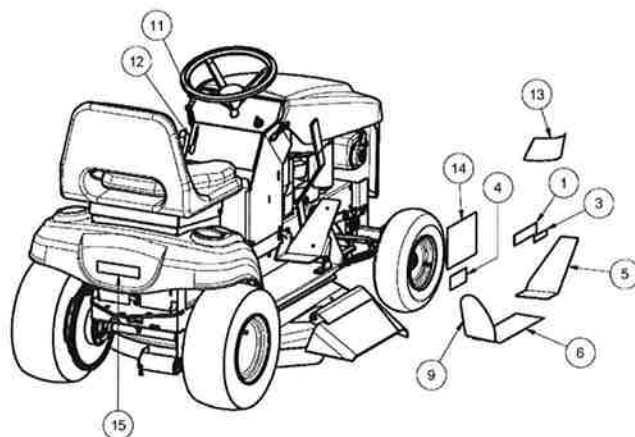
Model A15211M:- 960mm (38") Cutter Attachment Drive Components



Model A15211M:- 960mm (38") Cutter Attachment Drive Components

ITEM	PART NUMBER	DESCRIPTION	QTY
1	A152203R	Frame, Reinforce, Red	1
2	A152005B	Housing, Bearing, Flange, Short	2
3	BB205215NS	Bearing, Ball	2
4	A152008	Spindle, Flanged, Cutter	2
5	A118012Z	Shield, Bearing	2
6	BB255215NN	Bearing, Ball	2
7	A152011B	Spacer, Disc, Cutter	2
8	A152013B	Disc, Cutter	2
9	BHSSM10X30	Screw, Button	8
10	NM10NT	Nut	8
11	SKIT41N	Pair, Blade+Bolt+Washer+Nut	2
12	SKIT01D1	Blade Bolt & Nut Set	2
13		Nut	1
14		Washer, Wave	1
15		Blade Bolt Grade 8	1
16	SMB137A	Pair, Blade, Mower	1
17	SH1030M	Screw	11
18	NM10NT	Nut	11
19	A118003	Pulley, Cutter	2
20	A100025	Key	2
21	13247	Washer	2
22	NHCM10	Nut, Hex, Conelok	2
23	9800311M	Axle, Flanged	1
24	98009	Sleeve, Spacer, Bearing	1
25	BB255215NN	Bearing, Ball	2
26	98010	Pulley, Transfer	1
27	W103506	Washer	1
28	WS103.52.2	Washer, Lock, Spring	1
29	9801611M	Flange	1

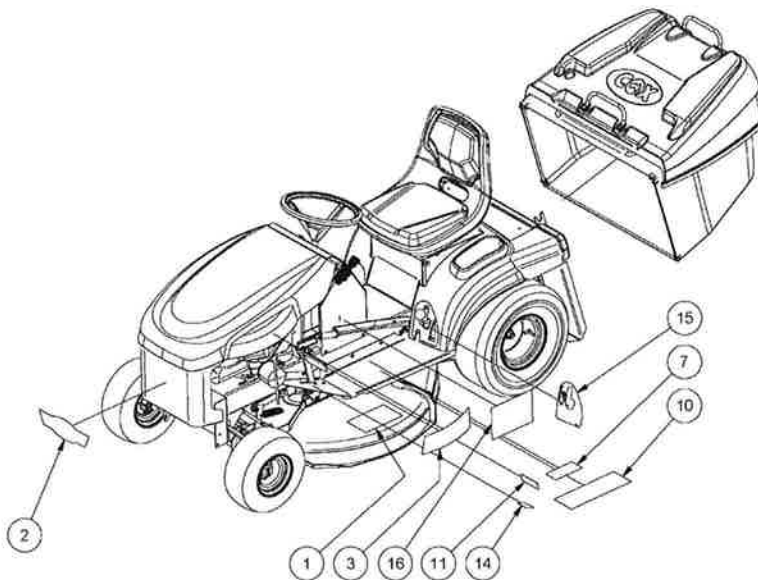
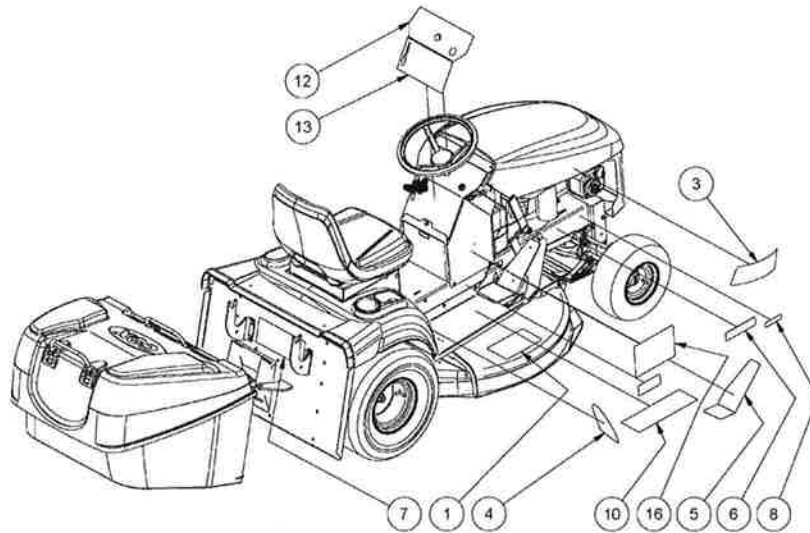
Decals Side Discharge



ITEM	PART NUMBER	DESCRIPTION	QTY
1	DEC125	Decal, Cutter Disengage	1
2	DEC127	Decal, Mount This Side Only	1
3	DEC135	Decal, Caution, Hot Muffler	1
	DEC135	Decal, Caution, Hot Muffler 16HP Honda Only	3
4	DEC136	Decal, Drive Pedal	1
5	8906608A	Non-Slip, Drive Pedal	1
6	13094	Pad, Non-Slip, Running Board	2
7	DEC116	Decal, Danger, Mowing Attachment	2
8	DEC231	Decal, Park Brake	1
9	DEC198	Decal, Depress to Start	1
10	95067	Non-Slip, Brake Pedal	1
11	DEC247	Decal, Console Top	1
12	DEC244	Decal, Dash	1
13	DEC228	Decal, Bonnet, Side, S/Man SERIES 3	2
14	DEC260	Decal, Console Side 16.5HP	2
	DEC234	Decal, Console Side 16HP	2
	DEC261	Decal, Console Side 19.5HP	2
	DEC295	Decal, Console Side 19.5HP	2
15	DEC205	Decal, Cox Logo, Rear	1
16	DEC230	Decal, Bonnet, Front	1
	DEC240	Decal, Proudly Australian	2
	DEC246	Decal, Instruct, Wiring, Switch, Seat	1

OWNERS MANUAL FOR MODELS A14311M, A14411M, A14511M

Decals Rear Discharge



ITEM	PART NUMBER	DESCRIPTION	QTY
1	DEC116	Decal, Danger, Mowing Attachment	2
2	DEC230	Decal, Cox, Bonnet Front	1
3	DEC228	Decal, Bonnet, Side, S/Man Series 3	2
4	DEC198	Decal, Depress To Start	1
5	8906608A	Non-Skid, Pedal, Drive	1
6	DEC125	Cutter Disengage	1
7	DEC127	Mount This Side Only	1
8	DEC135	Decal, Caution, Hot Muffler	1
9	DEC136	Decal, Drive Pedal	1
10	13094	Pad, Non-Skid, Running Board	2
11	95067	Non-Slip, Brake Pedal	1
12	DEC247	Decal, Console Top	1
13	DEC244	Decal, Dash	1
14	DEC124	Decal, Brake	1
15	DEC231	Decal, Brake, Park, Stockman 3	1
16	DEC260	Decal, Console Side, 16.5HP	2
	DEC240	Decal, Proudly Australian	2
	DEC246	Decal, Instruct, Wiring, Switch, Seat	1



COX INDUSTRIES MOWER WARRANTY POLICY

DEFINITIONS:

"Commercial Use" means all uses other than Domestic use, including any use that is income producing, rental, or is in relation to use in schools, by government departments or charity operators.

"COX INDUSTRIES" means Cox Industries (Australia) Pty Ltd ACN 050 991 038.

"Dealer" means an authorised COX INDUSTRIES dealer a list of which can be found on our website: www.coxmowers.com.au or freecall us on 1800 330 444.

"Domestic Use" means use for a personal, residential or household (property) purpose.

"Mower" means any ride-on mower manufactured by COX INDUSTRIES.

"Parts" means all parts that can be found in a Mower.

"Warranty Period" means:

- 1) for Domestic Use, a period of two (2) years; or
- 2) for Commercial Use, a period of six (6) months, from the original date of purchase.

NEW MOWER:

Our goods come with guarantees that cannot be excluded under the Australian Consumer Law. You are entitled to a replacement or refund for a major failure and compensation for any other reasonably foreseeable loss or damage. You are also entitled to have the goods repaired or replaced if the goods fail to be of acceptable quality and the failure does not amount to a major failure.

Nothing in this Warranty purports to modify or exclude the conditions, warranties and undertakings, and other legal rights, under the Australian Consumer Law. This Warranty gives you additional protection for your Mower, and identifies a preferred approach to resolving warranty claims which will be quickest and simplest for all parties, subject to the exclusions, terms and conditions below.

WARRANTY PERIOD:

COX INDUSTRIES warrants in respect of each new Mower sold that, subject to the exclusions below, for the Warranty Period COX INDUSTRIES or a Dealer will repair or replace free of charge any Parts found to be defective in materials or workmanship under normal use and operating conditions. Other than for major failure, it is at COX INDUSTRIES sole discretion as to whether the Mower or Part is repaired or replaced.

MOWER PARTS INSTALLED DURING NEW MOWER WARRANTY PERIOD:

Warranty coverage for Parts installed during the new Mower Warranty Period shall consist of the remainder of the new mower Warranty Period or ninety (90) days, whichever ever is greater, provided the installation is performed by an authorised Dealer.

TO CLAIM THE WARRANTY:

To make a claim under this Warranty, please bring or send the Mower to an authorised Dealer with a copy of your proof of purchase of the Mower. A claim under this Warranty is not formally made unless and until that proof of purchase is provided. This does not detract from your statutory rights.

WARRANTY REGISTRATION:

The warranty registration card must be completed by the Dealer with the customer at the time of purchase and returned to COX INDUSTRIES within 14 days.

This Warranty is transferable to a subsequent owner of a Mower, in the event of the sale of that product, provided that COX INDUSTRIES is informed in writing within a reasonable time of the sale of the subsequent owner's name and contact details, such notice to be provided to COX INDUSTRIES. The notice should identify the name of the previous owner of the Mower, place and date of purchase, model, make and serial number of the Mower. The effective transfer of this Warranty does not otherwise alter the terms of this Warranty in any way.

WARRANTY EXCLUSIONS:

This Warranty does not cover:

- 1) the costs of rental of another machine or related equipment while repairs are in progress;
- 2) telephone, facsimile or other related communication expenses.
- 3) transportation and insurance charges during transportation of failed Mower or any part thereof;
- 4) the labour, parts, mechanical adjustments or lubricant costs which, in the judgement of COX INDUSTRIES or their Dealer, should have been made as standard maintenance according to the COX INDUSTRIES maintenance schedule;
- 5) the replacement of or service costs relating to replacing and maintaining consumable parts which have ceased working through normal wear and tear such as, but not limited to, normal maintenance parts such as mower discs, blades, bolts and nuts, vee belts, bearings, chains and clutch cones;
- 6) any damage or defect caused by alteration, modification, fitment of a non-genuine part or attachment not approved by COX INDUSTRIES or repair, modification or work carried out on the Mower other than by a Dealer;
- 7) any defect caused by misuse, negligence, accidents or failure to carry out proper maintenance procedures;
- 8) damage caused by continued operation of the machine after it is known to be defective;
- 9) any other expenses incurred by the consumer in making the warranty claim;
- 10) damage caused by incorrect or improper operation (including racing or similar activities), maintenance or not following the instructions or maintenance requirements of the Mower in accordance with the instructions provided with the Mower;
- 11) damage caused by failure to clean or improper cleaning of the product;
- 12) damage caused by adverse external conditions such as thunderstorm activity, acts of God, acts of terrorism, damage caused by vermin, or any other act or circumstance beyond COX INDUSTRIES' control; or
- 13) damage caused by exposure to excessive heat, moisture or dampness, or exposure to abnormally corrosive conditions.

For the avoidance of any doubt, any and all warranties or conditions which are not guaranteed under the Australian Consumer Law or the Australian Competition and Consumer Regulations 2010 and which are not expressly included in this Warranty as additional warranties or conditions are excluded.

To the extent applicable by law, COX INDUSTRIES will not accept liability for costs of labour, postage, cartage or delivery to replace faulty materials or parts, or for any loss, damage or accident directly, indirectly, or consequentially suffered by the purchaser, operator or any other person or property as a result of such faults whether due to defective materials or workmanship or otherwise.

Due to COX INDUSTRIES on-going commitment to product improvement, we reserve the right to change at any time, product specifications, configurations and company policies.



Cox Industries (Australia) Pty Ltd

**70 Landseer Street
Acacia Ridge Qld 4110
Australia**

PH 07 3323 2222 FAX 07 3344 6233

Web Site Address: www.coxmowers.com.au

Email: sales@cox-mowers.com.au