



Stockman

SERIES 2

RIDE-ON MOWER

Models

8002G 8004F 8004K

2002-2005

CR8001 11.5HP B&S 28" Cut

CR8002 13HP B&S 30" Rear Catcher 150L

CR8003 13HP B&S 32" Cut

CR8004 16.5HP B&S 32" Cut

CR8005 14.5HP B&S 32" Cut



OWNER/OPERATORS MANUAL

READ THIS MANUAL BEFORE OPERATING MACHINE

DEATH, PERSONAL INJURY AND/OR PROPERTY DAMAGE MAY OCCUR UNLESS INSTRUCTIONS IN THIS MANUAL ARE FOLLOWED

NOTE: Bring this Manual when Service & or Warranty work is required.

THE MOWERS COVERED BY THIS MANUAL ARE AS FOLLOWS

CR8001 11.5HP B&S 28" CUT
CR8002 13 HP B&S 30" REAR CATCHER 150L
CR8003 13 HP B&S 32" CUT

CR8004 16.5 HP B&S 32" CLT
CR8005 14.5 HP B&S 32" CUT

OWNERS INFORMATION

MACHINE CODE NO: _____

SERIAL NO: _____

Located on label inside transmission housing

B&S ENGINE MODEL NO: _____ TYPE _____ CODE _____

DATE OF PURCHASE: _____

ISSUED TO:

OWNERS NAME: _____

ADDRESS: _____

TOWN/CITY: _____ STATE: _____

ISSUED BY:

AUTHORISED COX DEALER/
DISTRIBUTOR: _____

ADDRESS: _____

TOWN/CITY: _____ STATE: _____

PRE DELIVERY CHECK LIST

Check parts Assemble Service Instruction

ALWAYS KEEP THIS MANUAL IN A SAFE PLACE.

TABLE OF CONTENTS

OWNERS INFORMATION	2
SAFETY INSTRUCTIONS	4
PRE-DELIVERY INSTRUCTIONS	5
REAR DISCHARGE GRASS CATCHER ASSEMBLY INSTRUCTIONS	6
OPERATING INSTRUCTIONS	7
MAINTENANCE INSTRUCTIONS	8
MAINTENANCE SCHEDULE	9
PARTS LIST - CHASSIS & COMPONENTS SIDE DISCHARGE (CR8001 & CR8003)	13
PARTS LIST - CHASSIS & COMPONENTS SIDE DISCHARGE (CR8004 & CR8005)	15
PARTS LIST- CHASSIS & COMPONENTS REAR DISCHARGE	17
PARTS LIST - ENGINE ANCILLARY COMPONENTS	19
PARTS LIST - LEFT HAND SIDE OF CHASSIS COMPONENTS	23
PARTS LIST - RIGHT HAND SIDE OF CHASSIS COMPONENTS	25
PARTS LIST - FRONT AXLE COMPONENTS	27
PARTS LIST - STEERING COMPONENTS	29
PARTS LIST- WHEEL COMPONENTS	31
PARTS LIST- DRIVE COMPONENTS	33
PARTS LIST - CLUTCH ARM COMPONENTS	35
PARTS LIST - ELECTRICAL COMPONENTS (CR8001 & CR8003)	37
PARTS LIST - ELECTRICAL COMPONENTS (CR8004 & CR8005)	39
PARTS LIST - 094398H 28" MOWING ATTACHMENT	41
PARTS LIST - C262598F 32" MOWING ATTACHMENT	43
PARTS LIST - C918004J 32" MOWING ATTACHMENT	45
PARTS LIST - 30" MOWING ATTACHMENT	47
PARTS LIST - 150 LITRE BAG CATCHER	49
COX INDUSTRIES WARRANTY POLICY	51

SAFETY INSTRUCTIONS

- Read, understand, & follow all instructions in the Owner/Operators manual.
- Know the controls and how to stop the engine quickly in an emergency.
- Allow only responsible adults, who are familiar with the instructions in this manual, to operate the machine.
- Clear the area to be mowed of loose objects such as sticks, stones, bones, wire, toys, debris, etc., which could be picked up and thrown by the blades.
- DO NOT mow whilst people, especially children, or pets are in the mowing area.
- DO NOT mow either direction on slopes beyond 15 degrees (1 in 3.75)
- Exercise extreme caution on slopes.
- Reduce speed on slopes and in sharp turns to prevent overturning or loss of control.
- Start or stop slowly when on slopes.
- Mow up and down slopes, not across the slope.
- Stay alert for holes or bumps in the terrain and other hidden hazards.
- Use care when pulling loads-
 - a) Use only approved hitch point;
 - b) limit loads to those you can safely control;
 - c) Do not turn sharply;
 - d) use care when backing up.
- Watch out for traffic when crossing or operating the mower near roadways.
- Stop the blades rotating before crossing surfaces other than grass.
- When using attachments, never direct discharge of material toward bystanders nor allow anyone near the machine while it is in operation.
- Before leaving the operators position-
 - a) Disengage all clutches and secure cutting units;
 - b) Return drive pedal to neutral position and set the parking brake;
 - c) Stop the engine and remove the key.
- Disengage drive to attachments and stop engine-
 - a) Before refueling.
 - b) Before removing grass-catcher;
 - c) Before clearing blockages from chute;
 - d) Before checking, cleaning or working on the mower;
 - e) After striking a foreign object (check the mower for damage and make repairs before restarting and operating the equipment);
 - f) If machine starts to vibrate abnormally (check immediately).
- Disengage drive to attachments when transporting or not in use.
- A mower operator should be in good physical and mental health and not under the influence of alcohol or any drug which might impair vision, co-ordination or judgment.
- Never mow while barefoot or wearing open sandals or thongs. Wear long trousers and heavy shoes.
- It is advisable to wear suitable eye protection when operating a mower.
- Mow only in daylight or good artificial light.
- Before using, always visually inspect to see that blades, bolts and cutter assembly are not worn or damaged. Replace worn or damaged blades and bolts in sets to preserve balance.
- Check all nuts, bolts, and screws often; always be sure the mower is in safe operating condition.
- Keep safety devices (guards and switches) in place and in working order.
- Never use the mower unless the grass catcher, or guards provided by the manufacturer, are in position.
- Ensure any replacement parts used comply with the original manufacture's recommendations and specifications.
- Replace worn or faulty silencers.
- Keep machine free of grass, leaves or other debris, excessive oil, grease, or spill fuel. These can be a fire hazard.
- Refuel outdoors only. Do not smoke while fueling engine. Never remove the cap of the fuel tank or add petrol while the engine is running or the engine is hot. Remove fuel cap slowly to relieve any tank pressure. If fuel is spilled, do not attempt to start the engine but move machine away from the area of the spill and avoid creating any source of ignition until fuel vapors have dissipated.
- Check for fuel leaks while refueling, before and while using the mower. If a fuel leak is found, do not start or run the engine until the fuel leak is fixed and spilled fuel is wiped away.
- Do not operate engine in a confined space where exhaust fumes (carbon monoxide) can collect.
- Always mount the mower from the left or the opposite side to the discharge chute.
- Start the engine carefully with the cutting means disengaged.
- Do not over-speed the engine or alter governor settings. Excessive speed is dangerous and shortens mower life.
- Stop the engine whenever you leave the mower, even for a moment.
- Store the mower in a well-ventilated room away from naked flames such as may be found in hot water heaters.
- Do not lend or sell the mower, without the owners/operators Manual.

PRE-DELIVERY INSTRUCTIONS

INTRODUCTION:

The purpose of this procedure is to ensure the dealer/distributor has made the necessary installations, adjustments and checks, before the machine is operational. This procedure begins upon receiving the crated mower and is finalised once the mower has been either sold or leaves the dealer/distributors premises. This is the minimum amount of work required, however it should not be limited to only the areas detailed in this procedure.

RESPONSIBILITY:

It is the responsibility of the dealer/distributors to ensure that before a machine is delivered to a customer, it is in perfect operational condition.

PROCEDURE:

CHECK ACCESSORIES SUPPLIED IN SEAT PROTECTION BAG

- Engine owners manual
- Owner/Operator manual
- Tube spanner (AM006C1)
- Tommy bar (AM007)
- Ignition keys (AM015)
- Spark plug spanner (AM295)
- Tommy bar (AM296)
- Steering wheel (AM167M8)
- Steering wheel emblem (AM225)
- Clutch Clearance Gauges x 2 (13126)
- Battery caps x 6 Terminal screws & nuts x 2
- Set Screws 3/8" x 3/4" UNC x 2
- Nuts 3/8" UNC Nyloc x 2
- Seat Springs x 2 (AM177)
- Warranty Card
- Pre-delivery Instruction Sheet

Remove the four seat bolts, shakeproof washers and plain washers to remove the plastic bag protection from around seat. Install the four seat bolts, shakeproof washers and plain washers, making sure that the seat is adjusted into the desired position by using the seat transmission slots, tighten bolts.

CHARGING THE BATTERY

Undo the battery clamp screw and nut and remove both clamps, lift battery cover from battery. Remove the tape covering the fill holes in the battery. Fill each cell of the battery until the acid levels are in between the upper and lower levels marked on the battery. (use 1.240-1.260 specific gravity) Using a 12V, 4 or 8amp battery charger, charge the battery for a period of 30 minutes.

After the charge proceed to do the following:

Check acid levels in all battery cells (top up if necessary). Install battery caps. Allow battery to stand for 30 minutes before usage.

Tighten the red battery lead to the positive terminal first and then the black battery lead to the negative terminal.

Place battery in position, make sure battery leads are well clear of the steering universal, and fit battery cover. Place both battery clamps over battery and tighten the battery

clamp screw and nut.

TYRE PRESSURE

Before operation ensure that all tyre pressures are equal. The maximum pressure allowed is 140 kpa (20 P.S.I.).

ENGINE OIL

Before operation ensure that engine oil level is to the full mark on the dipstick. (Check engine owners manual if oil needs to be added).

FUEL TAP

Ensure the fuel tap at the bottom of the LH side of fuel tank is turned to the on position before attempting to start engine. (Use unleaded fuel only). Turn off fuel tap after use.

STEERING WHEEL

Using the tommy bar (AM007) and tube spanner (AM006C1) supplied, tighten the steering wheel using the nut and washer attached to the steering shaft. Torque setting for the steering wheel nut is 20Nm (180Lbf in).

Align the three locating pins in the steering emblem with the holes supplied in the steering wheel, press the steering emblem in using hand pressure only.

SEAT SPRINGS

Install and tighten the two seat springs, bolts and nuts to the triangular brackets welded to the chassis, which are situated under the seat transmission.

CLUTCH PLATE ADJUSTMENT

Engage and disengage the cutter lever a few times and leave in the engaged position, this will centre the clutch arm assembly into the neutral position. Loosen the four square head set screws on the clutch plates using tube spanner (AM006C1) and tommy bar (AM007). Insert the clearance gauges supplied, one between the forward clutch plate and cone and the other between the reverse clutch plate and cone and hook them onto the intershaft. Slide both clutch plates against the clearance gauges and clutch cone, tighten the set screws firmly onto the flat on the intershaft. Remove gauges.

MICRO (SAFETY) SWITCHES

Foot micro - With cutter lever disengaged, attempt to start the engine without using the foot micro switch. Engine should not start.

Disengagement micro - While sitting on machine with foot on micro switch and cutter engaged, attempt to start machine. Engine should not start.

Seat micro - While sitting on machine start engine, engage cutter and lift weight from seat. Engine should cut out.

Rear Discharge Grass Catcher Assembly and Mounting Instructions for 13HP 30" Rear Discharge Model Only

1/ Place the frame with the short tubes facing up, on a level surface.

2/ Fit the lower plain tube bow over the two tubes that lean inwards.

Note: Make sure the two drilled holes on the sides of the bow are also facing inwards as the spreader rods fit into these.

Fit the upper tube bow (with welded bracket) over the outward facing frame tubes. Note: Spreader rod holes must face inwards.

3/ Install the spreader rods.

4/ Feed the bag over the assembled frame with the plain plastic to the plain tube bow (bottom of the catcher). Turn the catcher over and clip the bag onto the frame.

5/ Using a small soldering iron, melt through the mesh at the four bolt holes in the top of the frame to suit the handle bolts.

6/ Using the two M8x40 screws & nyloc nuts, fit the large lifting hand to the rear of the catcher with the handle facing forward.

Using two M8x20 screws and nyloc nuts, fit the small handle to the front of the catcher with the handle facing to the rear.

7/ Fasten catcher bracket mount to the mower using one 3/8" x 1" UNC screw at the top hole and fasten with one 3/8" HD Washer and 3/8" nyloc nut. Using two M12 x 30 screws and two M12 nyloc nuts, fasten bottom of mount.

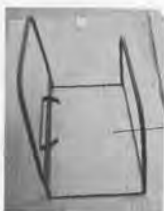
8/ Slide catcher chute into position, ensuring the clip plate has engaged the rivet on the cutter housing.

9/ Position catcher backing plate and push plate opening over the chute opening.

10/ Fit catcher mounting brackets to backing plate and mount bracket using four M8 x 25 screws, four washers, secure to mount bracket with four nyloc nuts.

NOTE:

When fitting the catcher, the mounting brackets may need adjusting. The top of the catcher should make contact with the top lip of the mounting panel when catcher is closed.



8002G 8004F 8004K OPERATING INSTRUCTIONS

IMPORTANT RECOMMENDED FUEL

Unleaded fuel is recommended by all manufacturers of engines fitted to Cox products.

DRIVE PRESSURE

Ensure when applying pressure to the drive pedal the wheels start rotating, failure to adhere to this will result in clutch plate and clutch cone damage.

SAFETY MICRO SWITCHES

Before operating machine, ensure that all micro-safety switches are operating correctly. Do not operate machine with faulty, missing or damaged safety micro-switches.

STARTING MACHINE

When starting machine, place right heel on micro switch located on rear of footrest. Ensure that cutter is disengaged, otherwise electric starter motor will not engage. If engine is cold move throttle to cold start position and return to desired throttle setting when engine starts. Do not attempt to operate engine with throttle lever in cold start (choke) position. (Note electric start engines fitted with recoil can be manually started with cutter disengaged and ignition on).

BLADE WARNING

Do not use mowing attachment with broken or bent blades, damaged or worn bolts and nuts or damaged cutter disc, otherwise damage and premature wear will result from vibration. Replace blades, bolts and nuts only in pairs to maintain correct balance. Recommended blade nut torque is 36-40Nm. Do not over tighten.

Keep both feet and hands clear at all times of the mowing attachment while attempting to start or operate the machine.

WARNING

DO NOT OPERATE WITHOUT MOWING ATTACHMENT DEFLECTOR FITTED & DOWN ON SIDE DISCHARGE MODELS. FOR REAR DISCHARGE MODELS DO NOT OPERATE WITHOUT GRASS CATCHER FITTED OR GRASS DEFLECTOR FITTED.

Safety footwear is recommended when operating machine. Mount and dismount only from left hand side of machine. Reference to left or right hand side of machine is determined by sitting in the operating position on the machine. Ensure machine has hand brake engaged when attempting to start engine.

Never allow engine revs to exceed more than 3600 RPM.

TO OPERATE

BEFORE STARTING/SWITCHING OFF:

See Engine Maintenance/Instruction Sheet. When stopping engine disengage cutter return throttle to slow position and switch off.

DISENGAGING MOWING ATTACHMENT:

The Disengaging lever is situated on the right hand side by the steering column. Before starting, disengage mowing attachment by pulling lever fully to the operator. For safety it is ad-

visable at all times, other than when mowing, that the mowing attachment be kept in the disengaged position.

TO DRIVE FORWARD/REVERSE:

Power is regulated by the throttle, set throttle control to desired engine power. Press down on the forward section of the clutch pedal for forward movement, on the rear of the clutch pedal for reverse. The amount of pressure can be used to control the ground speed, especially in heavier conditions. When operating the mower on slopes greater than 10 degrees but less than 15 degrees for a prolonged period, you may experience minor clutch fade, should this occur, vary your mowing style eg: mow around some flat areas, then the slope followed by the flat area again. This will allow the drive to cool before travelling up the slope again.

N.B. Ensure that when pressure is applied to the drive pedal wheels start rotating or damage will occur to clutch plates.

MANOEUVRING:

Owing to the heel and toe type action of the drive pedal, it is possible to take the machine straight from forward to reverse and vice versa. This instant forward and reverse operation makes the machine very manoeuvrable and the sharpest turns can be negotiated easily and quickly.

TO BRAKE (WITH ENGINE RUNNING):

The clutch may be used to stop the machine. If travelling forward push the pedal into reverse until machine stops, then bring the pedal back to neutral position or vice versa if travelling in reverse. Should a failure occur during operation use the emergency stop brake pedal situated on the left hand side and forward of where your foot would normally rest during normal operation.

TO BRAKE (WITH ENGINE STOPPED):

Use foot brake pedal only. Damage to clutch cone will occur if clutch pedal is used to brake the machine with the engine stationary.

PARKING AND TRANSPORTATION BRAKE:

Depress the lever protruding out of the left hand mudguard downward and shift the lever to the left to engage the brake. Depress and shift to the right to release.

Do not engage parking brake unless the machine has completely stopped.

Do not attempt to drive with park brake engaged damage will occur to clutch plates and/or large drive sprockets.

CUTTING HEIGHT ADJUSTMENT:

The height adjustment lever is located on the left hand side of the machine and may be altered to suit varying conditions, while the machine is in motion.

NOTE: When mowing slopes, keep clutch pedal in forward or reverse, depending on direction of travel. The low gearing will prevent it from picking up excessive speed. If very steep it may be necessary to throttle back slightly and /or, apply light clutch pedal pressure to the opposite clutch plate. i.e. move clutch pedal into reverse when going forward down slope or into forward when reversing down slope.

AVOID HOLDING MACHINE STATIONARY ON SLOPES USING CLUTCH WITH ENGINE RUNNING AS DAMAGE WILL OCCUR TO CLUTCH PLATES.

BLOCKED CATCHER CHUTE (30" REAR DISCHARGE):

Disengage cutter, stop engine remove catcher to clear discharge chute.

MAINTENANCE INSTRUCTIONS

It is the owner's responsibility to ensure that all-periodical checks, necessary adjustments and services are carried out.

STOP ENGINE - Never attempt any maintenance with the engine running, remove spark plug lead and ensure the blades have stopped rotating. Before servicing, disconnect spark plug wire and ground it, disconnect battery at negative terminal, to prevent accidental starting.

1. OIL CHANGING & FILTER REPLACEMENT (ENGINE): See Engine Maintenance/Instructions Sheet and carry out as per Engine Manufacturers Recommendations.

SERVICING ENGINE AIR CLEANER FOAM PRE-CLEANER— See engine owners manual for correct method to check and service engine air cleaner foam pre-cleaner.

2. LUBRICATION OF MACHINE: Lubrication of machine must be carried out every 25 hours of operation or once a month, whichever falls first. More frequently when operated under adverse conditions.

A. OILING: A few drops of oil should be placed at the following points: Steering linkage, disengaging linkages, height adjustment mechanism, pivot bolt and linkages on clutch arm and clutch pedal.

B. CHAIN: Use only chain lube for lubrication of the drive and steering chains.

C. GREASE POINTS: Grease nipples are located on top of the front wheel stub axle.

Under no circumstances allow grease or oil to come into contact with the Clutch Cone or Clutch Plates. Should this problem occur, clean off immediately with petrol whilst surface areas are cool and allow to dry before operating machine.

3. TO CHECK BLADES: Stop engine. Remove spark plug lead. Side Discharge Only, lift deflector and height adjustment control to highest position. If necessary simply remove the blade bolt and nut using a suitable spanner and replace worn parts.

4. ENGINE TO CLUTCH VEE BELT ADJUSTMENT: Loosen the four engine mounting bolts. Move engine forward and adjust belt firmly. Do not over tension. While maintaining tension on the engine re-tighten bolts. Check belt tension at machine service period (25hrs) or more frequently under heavy mowing conditions.

5. CLUTCH TO CUTTER VEE BELT ADJUSTMENT: Tension is automatically adjusted by the belt tensioning springs. However, as the belt stretches it will be necessary to lower the rear of the cutter housing by loosening the rear lifting link nut, and visa versa when a new belt is fitted.

6. CUTTER BRAKE ASSEMBLY ADJUSTMENT: With disengagement handle in engaged position and mowing attachment in low cut, normal clearance between cutter head pulley and cutter head brake pad is approximately 3mm (1/8"). To adjust clearance, remove 'R' pin from brake pull rod, adjust to give required clearance, replace brake pull rod and 'R' pin. Check operation after adjustment.

7. CLUTCH PLATE ADJUSTMENT: Periodically it will be found necessary to adjust the clutch plates as the clutch cone wears. Carry out this operation, with engine off and cutter in the engaged position. Engage and disengage the cutter lever a few times and leave in the engaged position, this will centre the clutch arm assembly into the neutral position. Loosen the four square head set screws on the clutch plates using tube spanner (AM006C1) and tommy bar (AM007). Insert the clearance gauges supplied, one between the forward clutch plate and cone and the other between the reverse clutch plate and cone and hook them onto the intershaft. Slide both clutch plates against the clearance gauges and clutch cone, tighten the set screws firmly onto the flat on the intershaft. Remove gauges.

8. DISENGAGING ADJUSTMENT: With the engine switched off, engage the mowing attachment, then fully lower. Place a straight edge vertically against the front of the front axle beam and in line with the disengagement lever. Measure the distance between the straight edge and the 8mm dia pin fitted with the small 'R' pin for the threaded adjuster. Disengage mowing attachment and using the same method, check the new distance. The difference should be 20 - 22mm. Engage mowing attachment, remove 'R' pin and adjust threaded adjuster accordingly. Install 'R' pin and re-check measurement. Due to normal wear in clutch to cutter vee belt, the disengagement lever will move

lower and touch the foot rest. When this occurs the amount of travel will need to be re-adjusted. If a new vee belt is installed the above settings will apply.

Start engine and raise cutter to full height stop, cutter belt should not engage. If this occurs switch off engine, engage cutter then screw adjuster out 1 - 2 turns then retest.

9. DRIVE CHAIN: Machines are fitted with automatic chain adjusters. No adjustment is required. Replace chain when chain has sagged enough to expose half the depth of the teeth on the bottom of the large sprocket. Failure to replace worn chain will cause premature wear of sprockets.

10. TO ADJUST STEERING CHAIN: Adjust chain by loosening the four bolts which hold the steering idler shaft mounting brackets (AM255) in position, slide forward to tension chain then retighten bolts.

11. TO REMOVE MOWING ATTACHMENT: Fully lower mowing attachment and engage, remove weight compensating spring, remove 'R' pin from rear lifting link and disconnect, remove 'R' pin from cutter brake adjusting rod and disconnect, disengage mowing attachment, remove belt, remove front pivot pin, Turn steering wheel to the left to slide out mowing attachment. To refit, reverse the above.

12. TYRE PRESSURE: 140 Kpa (20.P.S.I.) approximately front and rear. Uneven pressure can give an uneven finish when mowing and may cause damage to tyres and/or tubes.

13. BATTERY MAINTENANCE: Maintain electrolyte fluid level just above plates by topping regularly with distilled water. When not in use, a battery discharges by as much as 1% a day, more when the climate is warm. To make up for this loss, a boosting charge should be given once a month. Disconnect battery terminals to charge, then allow to stand minimum 1/2hr before re-connecting (re-check electrolyte level). If a battery is not used for a period of more than three (3) months, the terminals should be disconnected and trickle charged at two (2) amps for two (2) hours once every three (3) months or before use.

14. SEAT ADJUSTMENT: Loosen four seat mounting bolts and slide seat into desired position in slots and re-tighten bolts.

15. REPLACE DRIVE CHAIN: Engage park brake, jack up rear of machine, and remove L/H wheel. Push chain tensioner arms, one at a time, away from chain and using a suitable spanner tighten pivot bolt lock nuts to hold them out. Release park brake then turn rear axle to bring chain into a suitable position for removal of the chain connecting link. Remove connecting link and chain. Inspect both sprockets for wear or damage, replace if necessary. Install new chain and connecting link with the link dip between the wheel and chain. Release pivot arm nuts until arm moves freely back to chain. Engage park brake, install wheel and lower machine.

16. CLEANING AND POLISHING POLYETHYLENE BONNET AND REAR MUDGUARD: To keep scratches on bonnet and mudguard to minimum, do not rub or brush off with bare hands, use a soft cloth or a light flow of compressed air. For dirt, wash with a steady stream of water only (no detergent), then blow off excess water with air. To polish remove excess dust or dirt. When surface is dry, spray on an automotive type plastic preservative and leave on for 30 to 60 seconds. Using a dry soft cloth (i.e. cheesecloth) wipe off to bring up lustre.

GENUINE SPARE PARTS: Always use Genuine Cox Factory Made Spare Parts. Use of non-genuine COX spares will void your warranty.

SAFETY FIRST: The use of any mechanical appliance can cause injury if incorrect procedures are used. Please ensure that all family members of intended operators read this manual thoroughly.

TORQUE SETTINGS

1/4" UNC BOLT/NUT	10Nm (84lbf in)
5/16" UNC BOLT/NUT	20Nm (180lbf in)
3/8" UNC BOLT/NUT	36Nm (270lbf ft)
7/16" UNF BOLT	68Nm (50lbf ft)
6mm BOLT/NUT	9Nm (80lbf in)
20mm NUT	100Nm (74lbf ft)
5/8" UNF NUT	100Nm (74lbf ft)

We are proud that you have purchased a Cox product and urge you to follow these instructions to obtain the maximum life for your machine. If in doubt check with your supplier.

MAINTENANCE SCHEDULE

BEFORE EACH USE

Check engine oil level, adjust if required
Check engine air cleaner foam pre-cleaner, service if required
Check engine rotating screen/finger guard, clean if required
Check operation of safety switches, service if required
Check engine air inlet console screen, clean if required
Check foot brake operation, adjust if required.

Check tyre pressures, adjust if required
Check for loose fasteners, tighten if required
Grease stub axles (make sure grease exudes stub axle bush)
Check mowing attachment cutter blades, bolts, nuts, disc/s, housing, and guards for wear or damage, replace if required

BEFORE STORAGE

Change engine oil - Clean machine - Lubricate as per required

EVERY 5 HOURS

Check engine oil level, adjust if required
Check engine air cleaner foam pre-cleaner, service if req.
Check engine rotating screen/finger guard, clean if required
Check operation of safety switches, service if required
Check engine air inlet console screen, clean if required
Check foot brake operation, adjust if required.

Check tyre pressures, adjust if required
Check for loose fasteners, tighten if required
Grease stub axles (make sure grease exudes stub axle bush)
Check mowing attachment cutter blades, bolts, nuts, disc/s, housing, and guards for wear or damage, replace if required

1 MONTH OR 5 HOURS WHICH EVER OCCURS FIRST

Change engine oil
Check engine air cleaner foam pre-cleaner, service if required
Check engine rotating screen/finger guard, clean if required
Check engine air inlet console screen, clean if required
Check foot brake operation, adjust if required
Check operation of safety switches and replace if required
Check tyre pressures, adjust if required
Grease stub axles (make sure grease exudes top & bottom stub axle bush).

Check mowing attachment cutter blades, bolts, nuts, disc/s, housing, and guards for wear or damage, replace if required
Check clutch arm action, adjust if required
Check and adjust engine to clutch vee belt if required.
Check for loose fasteners, tighten if required
Check clutch to cutter vee belt and adjust cutter housing level if required

DATE / / HOURS.....DEALER.....

3 MONTH OR 25 HOURS WHICH EVER OCCURS FIRST

Change engine oil if operating under heavy load or high ambient temperature
Check engine air cleaner foam pre-cleaner, service if required *
Check engine rotating screen/finger guard, clean if required *
Check engine air inlet console screen, clean if required *
Check foot brake operation, adjust if required
Check operation of safety switches and replace if required
Check tyre pressures, adjust if required
Grease stub axles (make sure grease exudes top & bottom stub axle bush).

Check mowing attachment cutter blades, bolts, nuts, disc/s, housing, and guards for wear or damage, replace if required
Check and adjust engine to clutch vee belt if required.
Check battery condition, service if required
Check clutch to cutter vee belt and adjust cutter housing level if required
Check for loose fasteners, tighten if required

*Service more often under dusty conditions, or where air borne debris is present

DATE / / HOURS.....CUSTOMER.....

6 MONTH OR 50 HOURS WHICH EVER OCCURS FIRST

Change engine oil if operating under heavy load or high ambient temperature
Check engine air cleaner foam pre-cleaner, service if required *
Check engine rotating screen/finger guard, clean if required *
Check engine air inlet console screen, clean if required *
Check foot brake operation, adjust if required
Check operation of safety switches and replace if required
Check tyre pressures, adjust if required
Grease stub axles (make sure grease exudes top & bottom stub axle bush).

Check mowing attachment cutter blades, bolts, nuts, disc/s, housing, and guards for wear or damage, replace if required
Check for loose fasteners, tighten if required
Check and adjust engine to clutch vee belt if required.
Check battery condition, service if required
Check clutch to cutter vee belt and adjust cutter housing level if required

*Service more often under dusty conditions, or where air borne debris is present

DATE / / HOURS.....DEALER.....

9 MONTHS OR 75 HOURS WHICH EVER OCCURS FIRST

Change engine oil if operating under heavy load or high ambient temperature

Check engine air cleaner foam pre-cleaner, service if required *

Check engine rotating screen/finger guard, clean if required *

Check engine air inlet console screen, clean if required *

Check foot brake operation, adjust if required

Check operation of safety switches and replace if required

Check tyre pressures, adjust if required

Grease stub axles (make sure grease exudes top & bottom stub axle bush).

Check mowing attachment cutter blades, bolts, nuts, discs, housing, and guards for wear or damage, replace if required

Check for loose fasteners, tighten if required

Check battery condition, service if required

Check clutch to cutter vee belt and adjust cutter housing level if required

Check and adjust engine to clutch vee belt if required.

*Service more often under dusty conditions, or where air borne debris is present

DATE / / HOURS.....CUSTOMER/DEALER.....

12 MONTHS OR 100 HOURS WHICH EVER OCCURS FIRST

Change engine oil filter

Change engine oil

Check engine spark plug, clean, adjust, or replace if required

If fitted clean engine exhaust spark arrester

Check engine air cleaner foam pre-cleaner, service if required *

Check engine air cleaner cartridge, service if required*

Clean engine cooling system*

Check clutch arm action, adjust if required

Replace in-line fuel filter

Check foot brake operation and lining for wear, adjust or replace if req

Grease stub axles (make sure grease exudes top & bottom stub axle bush)

Check for loose fasteners, tighten if required

Check operation of safety switches, service if required

Check tyre pressures, adjust if required

Check drive chain and sprockets for wear, replace if required

Check steering chain sprockets or wear, adjust if required

Check mowing attachment cutter blades, bolts, nuts, discs, housing, and guards for wear or damage, replace if required

Check clutch arm action, adjust if required

Re-tension rear wheel retaining nuts

Check battery condition, service if required

Check drive clutch plates and cone for wear or damage, adjust or service if required

Check belts for wear or damage, replace if required

Check and adjust engine to clutch vee belt if required.

Check clutch to cutter vee belt and adjust cutter housing level if required

*Service more often under dusty conditions, or where air borne debris is present

DATE / / HOURS.....DEALER.....

15 MONTHS OR 125 HOURS WHICH EVER OCCURS FIRST

Change engine oil if operating under heavy load or high ambient temperature

Check engine air cleaner foam pre-cleaner, service if required *

Check engine rotating screen/finger guard, clean if required *

Check operation of safety switches and replace if required

Check foot brake operation, adjust if required

Grease stub axles (make sure grease exudes top & bottom stub axle bush).

Check tyre pressures, adjust if required

Check battery condition, service if required

Check mowing attachment cutter blades, bolts, nuts, discs, housing, and guards for wear or damage, replace if required

Check for loose fasteners, tighten if required

Check clutch to cutter vee belt and adjust cutter housing level if required

Check and adjust engine to clutch vee belt if required.

*Service more often under dusty conditions, or where air borne debris is present

DATE / / HOURS.....CUSTOMER/DEALER.....

18 MONTHS OR 150 HOURS WHICH EVER OCCURS FIRST

Change engine oil

If fitted clean engine exhaust spark arrester

Check engine air cleaner foam pre-cleaner, service if required *

Check engine rotating screen/finger guard, clean if required *

Check engine air inlet console screen, clean if required *

Check foot brake operation and lining for wear, adjust or replace if required

Check operation of safety switches, service if required

Check tyre pressures, adjust if required

Grease stub axles (make sure grease exudes top & bottom stub axle bush).

Check steering chain sprockets or wear, adjust if required

Check mowing attachment cutter blades, bolts, nuts, discs, housing, and guards for wear or damage, replace if required

Check belts for wear or damage, replace if required

Check drive chain and sprockets for wear, replace if required

If fitted check mowing attachment brake pad for wear, replace if required

Check drive clutch plates and cone for wear or damage, adjust or service if required

Check clutch arm action, adjust if required

Check battery condition, service if required

Check for loose fasteners, tighten if required

Check and adjust engine to clutch vee belt if required.

Check clutch to cutter vee belt and adjust cutter housing level if required

*Service more often under dusty conditions, or where air borne debris is present

DATE / / HOURS.....DEALER.....

21 MONTHS OR 175 HOURS WHICH EVER OCCURS FIRST

Change engine oil if operating under heavy load or high ambient temperature

Check engine air cleaner foam pre-cleaner, service if required *

Check engine rotating screen/finger guard, clean if required *

Check foot brake operation, adjust if required

Check operation of safety switches and replace if required

Check tire pressures, adjust if required

Grease stub axles (make sure grease exudes top & bottom stub axle bush)

Check mowing attachment cutter blades, bolts, nuts, disc/s, housing,

and guards for wear or damage, replace if required

Check battery condition, service if required

Check for loose fasteners, tighten if required

Check clutch to cutter vee belt and adjust cutter housing level if required

Check and adjust engine to clutch vee belt if required

*Service more often under dusty conditions, or where air borne debris is present.

DATE / / HOURS.....CUSTOMER/DEALER.....

24 MONTHS OR 200 HOURS WHICH EVER OCCURS FIRST

Replace engine oil filter

Change engine oil

Check engine spark plug, clean, adjust, or replace if required

If fitted clean engine exhaust spark arrester

Check engine air cleaner foam pre-cleaner, service if required *

Check engine air cleaner cartridge, service if required

Clean engine cooling system*

Check foot brake operation and lining for wear, adjust or replace if required

Check operation of safety switches, service if required

Check tire pressures, adjust if required

Grease stub axles (make sure grease exudes top & bottom stub axle bush)

Check steering chain air sprockets or wear, adjust if required

Check mowing attachment cutter blades, bolts, nuts, disc/s, housing,

and guards for wear or damage, replace if required

Check belts for wear or damage, replace if required

Check drive chain and sprockets for wear, replace if required

Check drive clutch plates and cone for wear or damage,

adjust or service if required

Check clutch arm action, adjust if required

Check battery condition, service if required

Check for loose fasteners, tighten if required

Check and adjust engine to clutch vee belt if required

Check clutch to cutter vee belt and adjust cutter housing level if required

*Service more often under dusty conditions, or where air borne debris is present.

DATE / / HOURS.....DEALER.....

27 MONTHS OR 225 HOURS WHICH EVER OCCURS FIRST

Change engine oil if operating under heavy load or high ambient temperature

Check engine air cleaner foam pre-cleaner, service if required *

Check engine rotating screen/finger guard, clean if required *

Check foot brake operation, adjust if required

Check operation of safety switches and replace if required

Check tire pressures, adjust if required

Grease stub axles (make sure grease exudes top & bottom stub axle bush)

Check mowing attachment cutter blades, bolts, nuts, disc/s, housing,

and guards for wear or damage, replace if required

Check battery condition, service if required

Check for loose fasteners, tighten if required

Check clutch to cutter vee belt and adjust cutter housing level if required

Check and adjust engine to clutch vee belt if required

*Service more often under dusty conditions, or where air borne debris is present.

DATE / / HOURS.....CUSTOMER/DEALER.....

30 MONTHS OR 250 HOURS WHICH EVER OCCURS FIRST

Change engine oil

If fitted clean engine exhaust spark arrester

Check engine air cleaner foam pre-cleaner, service if required *

Check engine rotating screen/finger guard, clean if required *

Check foot brake operation and lining for wear, adjust or replace if required

Check operation of safety switches, service if required

Check tire pressures, adjust if required

Grease stub axles (make sure grease exudes top & bottom stub axle bush)

Check steering chain air sprockets or wear, adjust if required

Check mowing attachment cutter blades, bolts, nuts, disc/s, hous-

ing, and guards for wear or damage, replace if required

Check belts for wear or damage, replace if required

Check drive chain and sprockets for wear, replace if required

Check drive clutch plates and cone for wear or damage,

adjust or service if required

Check clutch arm action, adjust if required

Check battery condition, service if required

Check for loose fasteners, tighten if required

Check and adjust engine to clutch vee belt if required

Check clutch to cutter vee belt and adjust cutter housing level if required

*Service more often under dusty conditions, or where air borne debris is present.

DATE / / HOURS.....DEALER.....

33 MONTHS OR 275 HOURS WHICH EVER OCCURS FIRST

Change engine oil if operating under heavy load or high ambient temperature

Check engine air cleaner foam pre-cleaner, service if required *

Check engine rotating screen/finger guard, clean if required *

Check foot brake operation, adjust if required

Check operation of safety switches and replace if required

Check tire pressures, adjust if required

Grease stub axles (make sure grease exudes top & bottom stub

axle bush).

Check mowing attachment cutter blades, bolts, nuts, disc/s, housing, and guards for wear or damage, replace if required

Check battery condition, service if required

Check for loose fasteners, tighten if required

Check clutch to cutter vee belt and adjust cutter housing level if required

Check and adjust engine to clutch vee belt if required.

*Service more often under dusty conditions, or where air borne debris is present.

DATE / / HOURS.....CUSTOMER/DEALER.....

36 MONTHS OR 300 HOURS WHICH EVER OCCURS FIRST

Replace engine oil filter

Change engine oil

Check engine spark plug, clean, adjust, or replace if required

If fitted clean engine exhaust spark arrestor

Check engine air cleaner foam pre-cleaner, service if required *

Check engine air cleaner cartridge, service if required

Clean engine cooling system*

Check foot brake operation and lining for wear, adjust or replace if required

Check operation of safety switches, service if required

Check tire pressures, adjust if required

Grease stub axles (make sure grease exudes top & bottom stub axle bush)

Check steering chain and sprockets for wear, adjust if required

Check mowing attachment cutter blades, bolts, nuts, disc/s, housing, and guards for wear or damage, replace if required

Check belts for wear or damage, replace if required

Check drive chain and sprockets for wear, replace if required

Check drive clutch plates and cone for wear or damage, adjust or service if required

Check clutch arm action, adjust if required

Check battery condition, service if required

Check for loose fasteners, tighten if required

Check and adjust engine to clutch vee belt if required.

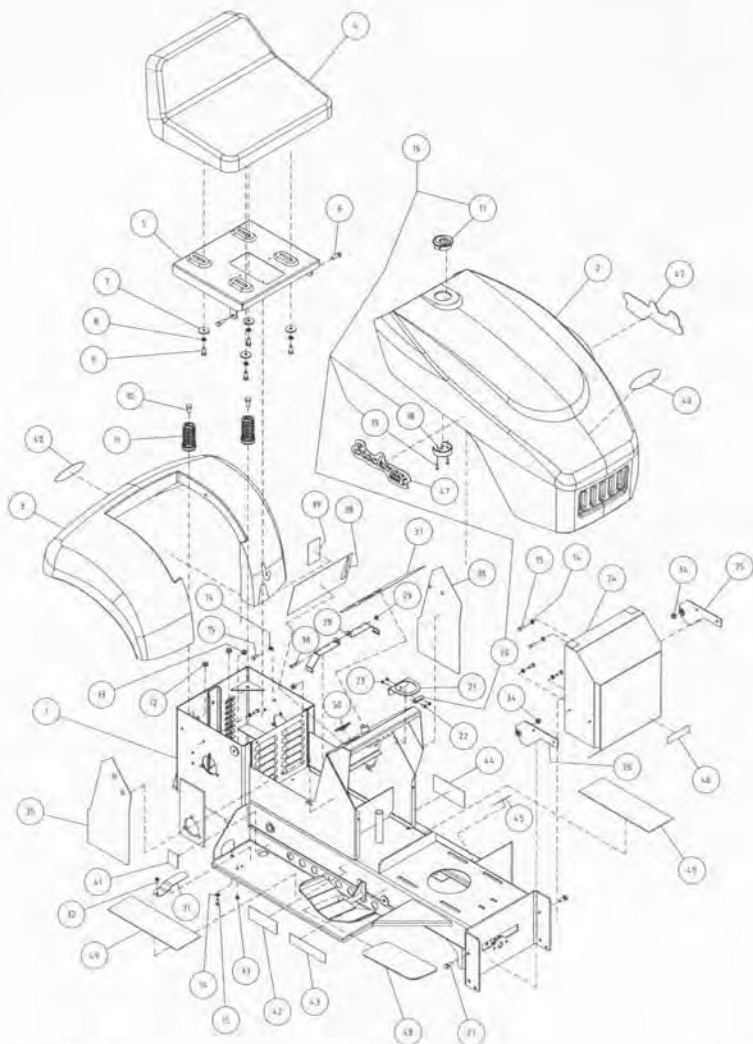
Check clutch to cutter vee belt and adjust cutter housing level if required

required

*Service more often under dusty conditions, or where air borne debris is present.

DATE / / HOURS.....DEALER.....

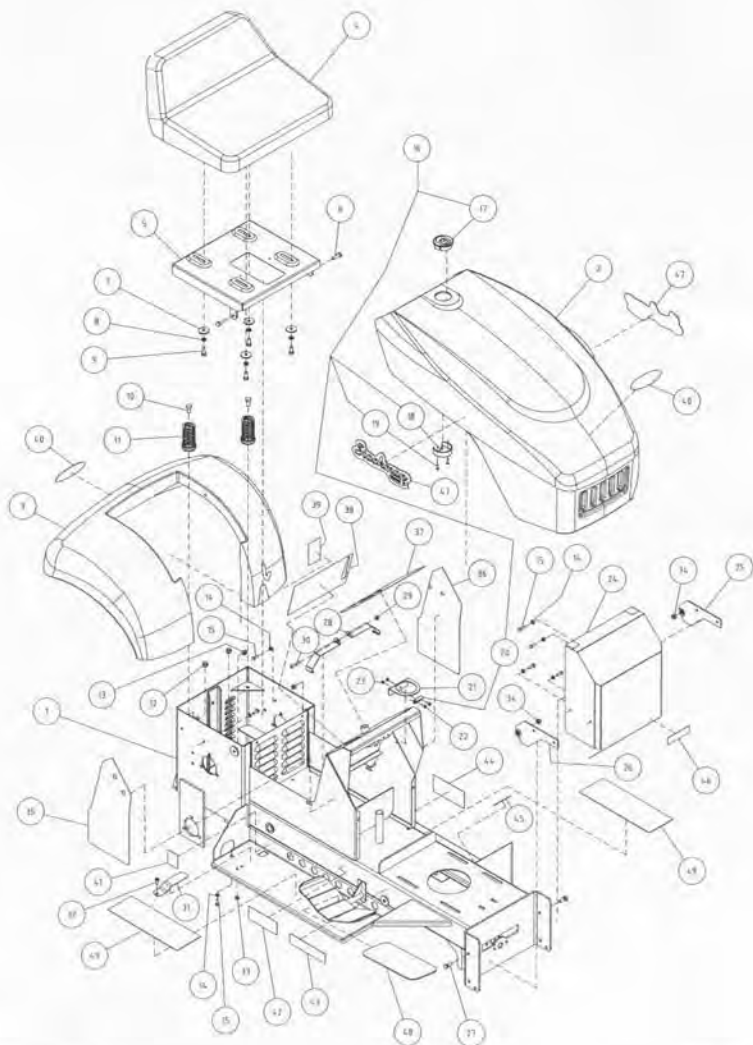
Model 8002G 8004F 8004K:- Chassis & Components (CR8001 CR8003 Side Discharge Models)



Model 8002G 8004F 8004K:- Chassis & Components (CR8001 CR8003 Side Discharge Models)

ITEM	PART NO.	DESCRIPTION	QTY
1	8000004F	Chassis	1
2***	80001	Bonnet	1
3	80002	Mudguard Side Discharge	1
4	80019	Seat	1
5	AM226B99F	Seat Mount	1
6	SH0516C	Screw	2
7	W052003	Washer	4
8	WS050216	Washer	4
9	SH0512C	Screw	4
10	SH0612C	Screw	2
11	AM177	Seat Spring	2
12	N06CN	Nut	2
13	N05CN	Nut	2
14	WS040816	Washer— Spring	8
15	SH0616M	Screw	8
16,17,18,19,20	L01	Latch Assembly	1
21	80023	Bonnet Latch Locating Bracket	1
22	SPM5X12	Screw	2
23	NM5NT	Nut	2
24	80011	Baffle 11.5HP & 13HP	1
25	80010L	Bonnet Hinge Plate LH	1
26	80010R	Bonnet Hinge Plate RH	1
27	SH0820M	Screw	2
28	AM300	Battery Clamp	2
29	N04C	Nut	1
30	SR0420W	Screw	1
31	13096	Foot Switch Depressor	1
32	SPM6X16	Screw	1
33	NM6NT	Nut	1
34	NM8NT	Nut	2
35	DEC134	Decal— 13HP Right	1
	DEC132	Decal— 11.5HP Right	1
36	DEC133	Decal— 13HP Left	1
	DEC131	Decal— 11.5HP Left	1
37	DEC12904F	Decal— Dash	1
38	DEC130	Decal— Console	1
39	DEC126	Decal— Park Brake	1
40	DEC137	Decal— Cox	2
41	DEC128	Decal— Depress To Start	1
42	DEC136	Decal— Clutch Pedal	1
43	DEC125	Decal— Cutter Disengagement	1
44	DEC127	Decal— Warning Mount This Side Only	1
45	DEC124	Decal— Brake	1
46	DEC135	Decal— Caution Hot Muffler	1
47	DEC138	Decal— Bonnet Stockman Series 2	2
48	NSM01	Non-Skid Clutch Pedal (273MM)	1
49	13094	Non-Skid Running Board	2
50	091131	PLUG,DASH,LARGE	1
***	80009	Bonnet Sub-Assy 11.5HP & 13HP	

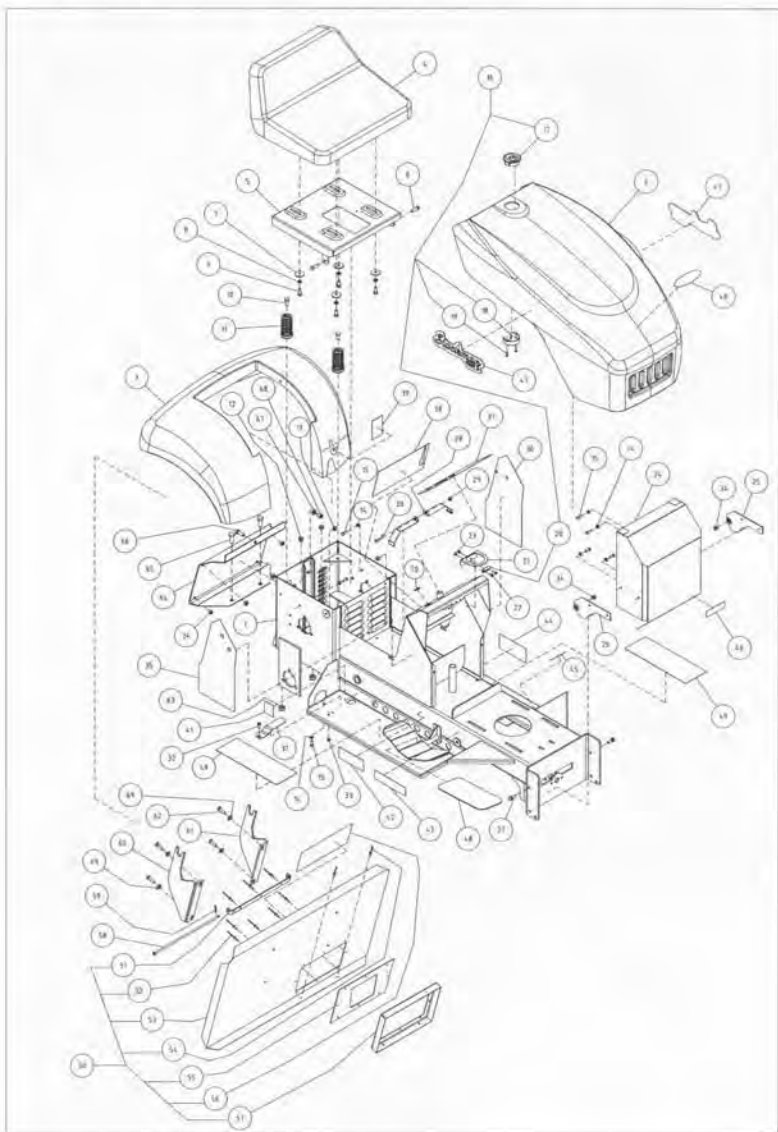
Model 8002G 8004F 8004K:- Chassis & Components (CR8004 CR8005 Side Discharge Models)



Model 8002G 8004F 8004K:- Chassis & Components (CR8004 CR8005 Side Discharge Models)

ITEM	PART NO.	DESCRIPTION	QTY
1	8000004F	Chassis	1
2***	80001	Bonnet	1
3	80002	Mudguard Side Discharge	1
4	80019	Seat	1
5	AM226899F	Seat Mount	1
6	SH0516C	Screw	2
7	W052003	Washer	4
8	WS050216	Washer	4
9	SH0512C	Screw	4
10	SH0612C	Screw	2
11	AM177	Seat Spring	2
12	N06CN	Nut	2
13	N05CN	Nut	2
14	WS040816	Washer— Spring	8
15	SH0616M	Screw	8
16,17,18,19,20	L01	Latch Assembly	1
21	80023	Bonnet Latch Locating Bracket	1
22	SPM5X12	Screw	2
23	NM5NT	Nut	2
24	80030	Baffle 14.5 & 16.5HP	1
25	80010L	Bonnet Hinge Plate LH	1
26	80010R	Bonnet Hinge Plate RH	1
27	SH0820M	Screw	2
28	AM300	Battery Clamp	2
29	N04C	Nut	1
30	SR0420W	Screw	1
31	13096	Foot Switch Depressor	1
32	SPM6X16	Screw	1
33	NM6NT	Nut	1
34	NM8NT	Nut	2
35	DEC156	Decal—14.5HP Right	1
	DEC155	Decal—16.5HP Right	1
36	DEC157	Decal—14.5HP Left	1
	DEC154	Decal—16.5HP Left	1
37	DEC12904F	Decal— Dash	1
38	DEC130	Decal— Console	1
39	DEC126	Decal— Park Brake	1
40	DEC137	Decal— Cox	2
41	DEC128	Decal— Depress To Start	1
42	DEC136	Decal— Clutch Pedal	1
43	DEC125	Decal— Cutter Disengagement	1
44	DEC127	Decal— Warning Mount This Side Only	1
45	DEC124	Decal— Brake	1
46	DEC135	Decal— Caution Hot Muffler	1
47	DEC138	Decal— Bonnet Stockman Series 2	2
48	NSM01	Non-Skid Clutch Pedal (273MM)	1
49	13094	Non-Skid Running Board	2
***	80031	Bonnet Sub-Assy 14.5 & 16.5HP	

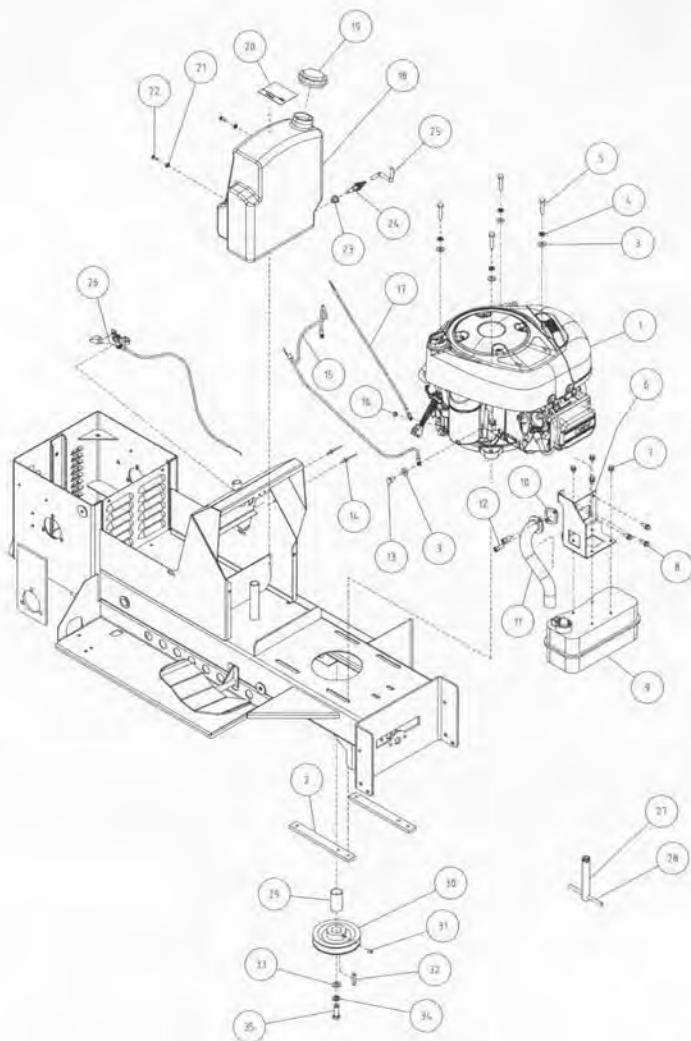
Model 8002G 8004F 8004K:- Chassis & Components (CR8002 Rear Discharge Model)



Model 8002G 8004F 8004K:- Chassis & Components (CR8002 Rear Discharge Model)

ITEM	PART NO.	DESCRIPTION	QTY
1***	800004F	Chassis	1
2	80001	Bonnet	1
3	80004	Mudguard	1
4	80019	Seat	1
5	AM226B99F	Seat Mount	1
6	SH0516C	Screw	2
7	W052003	Washer	4
8	W05050216	Washer	4
9	SH0512C	Screw	4
10	SH0612C	Screw	2
11	AM177	Seat Spring	2
12	N06CN	Nut	2
13	N05CN	Nut	2
14	W5040816	Washer—Spring	8
15	SH0616M	Screw	8
16,17,18,19,20	L01	Latch Assy	1
21	80023	Bonnet Latch Locating Bracket	1
22	SPM5X12	Screw	2
23	NM5NT	Nut	2
24	80011	Baffle 13HP	1
25	80010L	Bonnet Hinge Plate Left Hand	1
26	80010R	Bonnet Hinge Plate Right Hand	1
27	SH0820M	Screw	2
28	AM300	Battery Clamp	2
29	N04C	Nut	1
30	SR0420W	Screw	1
31	13096	Foot Switch Depressor	1
32	SPM6X16	Screw	1
33	NM6NT	Nut	1
34	NMBNT	Nut	6
35	DEC134	Decal— 13HP Right	1
36	DEC133	Decal— 13HP Left	1
37	DEC12904F	Decal— Dash	1
38	DEC130	Decal— Console	1
39	DEC126	Decal— Park Brake	1
40	DEC137	Decal— Cox	1
41	DEC128	Decal— Depress to Start	1
42	DEC136	Decal— Clutch Pedal	1
43	DEC125	Decal— Cutter Disengagement	1
44	DEC127	Decal— Warning Mount This Side Only	1
45	DEC124	Decal— Brake	1
46	DEC135	Decal— Caution Hot Muffler	1
47	DEC138	Decal— Bonnet, Stockman, Series 2	2
48	NSM01	Non Skid— Clutch Pedal (273MM)	1
49	13094	Non Skid— Running Board	2
50, 53	13320	Catcher Front Sub-assembly	1
51	13335	Deflector Bracket	1
52	PR0308	Rivet	8
54	PR0306	Rivet	2
55	13307	Chute Opening Seal	1
56	DEC108	Decal— Warning, Rear Discharge Opening	1
57	13313	Chute Opening Flange	1
58	13336	Deflector Pivot Pin	1
59	RP01	'R' Pin	1
60	14148	Catcher Bracket Left Fold	1
61	14149	Catcher Bracket Right Fold	1
62	SH0825M	Screw	4
63	NM12NT	Nut	2
64	13310	Catcher— Chassis Mount Bracket	1
65	SH1230M	Screw	2
66	SH0616C	Screw	1
67	W0620HD	Washer	1
68	NF06CN	Nut	1
69	W05M202	Washer	4
70	091131	Plug, Dash, Large	1

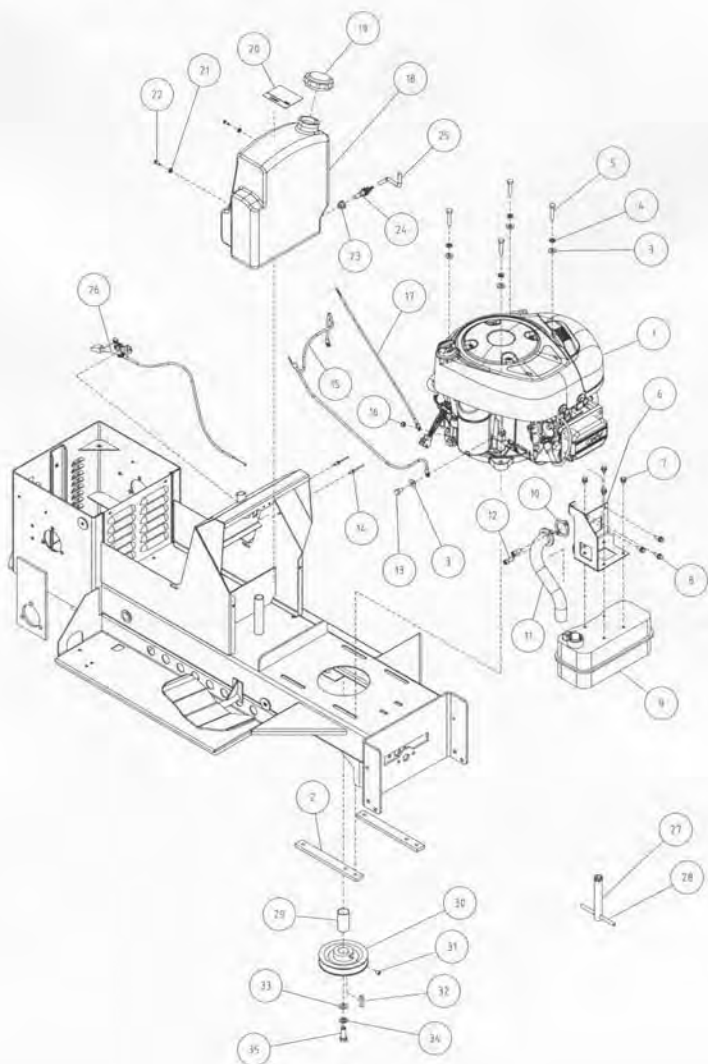
MODEL 8002G 8004F :- Engine Ancillary Components



MODEL 8002G 8004F :- Engine Ancillary Components

ITEM	PART NO	DESCRIPTION	QTY
1		Engine 11.5HP & 13.0HP, 1 Cyl Elect B&S	1
2	AM078B0	Engine Mount Bolt Plate	2
3	W051218	Washer	5
4	WS050216	Washer Spring Lock	4
5	B0524C	Bolt	4
6	80007	Muffler Bracket 1 CYL, B&S	1
7		Screw Hex 1/4" X 3/8" B&S	4
8		Screw Hex 1/4" X 5/8" B&S	3
9		Muffler B&S	1
10		Exhaust Gasket B&S	1
11	80006	Exhaust Pipe 1 Cyl B&S STOCKMAN	1
12	CHS0512C	Screw	2
13	SH0508C	Screw	1
14	PR0306	Rivet	2
15	15235	Battery Lead Black 3 Term	1
16	N04C	Nut	1
17	AM265	Battery Lead Red L=490	1
18	80003	Fuel Tank NLA Replace Using P/No KIT167	1
19	CF01	Petrol Cap	1
20	DEC085	Decal— Fuel Tank Warning	1
21	W035	Washer Lock Int Tooth Not used on KIT167	2
22	SPM5X12	Screw Not used on KIT167	2
23	AM294	Grommet	1
24	AM293	Petrol Tap	1
25	14107	Fuel Line	1
26	13101	Throttle Control	1
27	AM295	Spark Plug Spanner	1
28	AM007	Plug Spanner Tommy Bar	1
29	AM233	Engine Pulley Spacer	1
30	AM234	Engine Pulley	1
31	GS0505C	Screw	1
32	AM175	Engine Pulley Key	1
33	W072004	Washer	1
34	WS071006	Washer— Spring Lock	1
35	B0720F	Bolt	1
	80024	Engine Wiring Tubing	1
	80025	Deflector Exhaust Gas	1

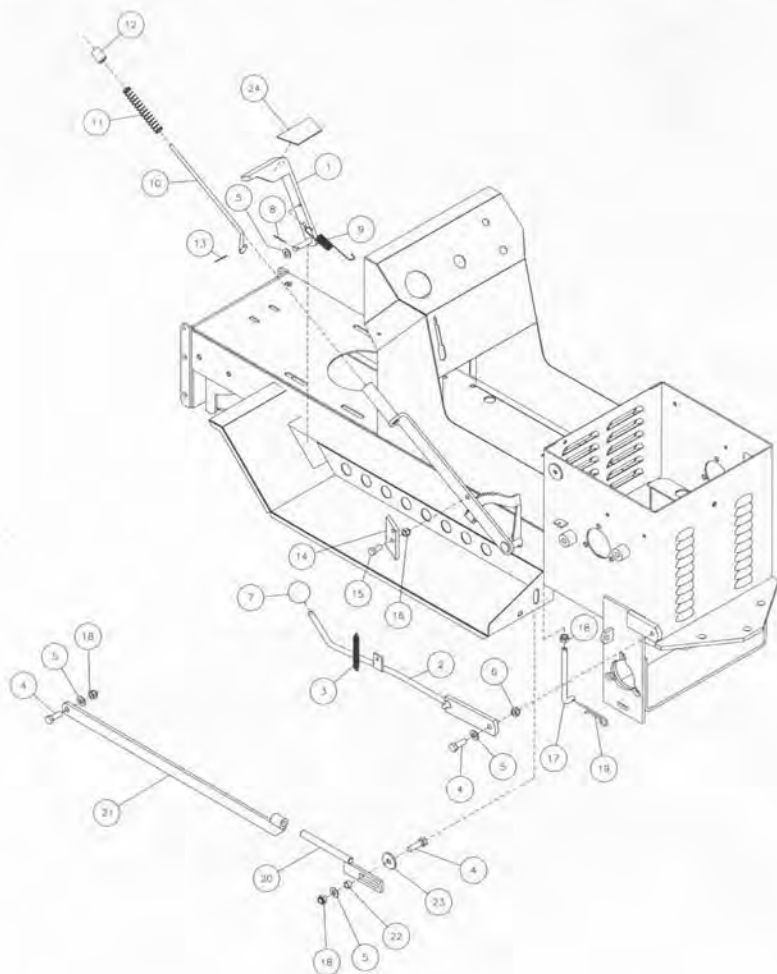
Model 8004K:- Engine Ancillary Components



Model 8004K:- Engine Ancillary Components

ITEM	PART NO	DESCRIPTION	QTY
1		Engine 11.5HP & 13.0HP, 1 Cyl Elect B&S Engine 14.5HP & 16.5HP, 1 Cyl Elect B&S	1
2	AM078B0	Engine Mount Bolt Plate	2
3	W051218	Washer	5
4	W5050216	Washer Spring Lock	4
5	B0524C	Bolt	4
6	80007 80029	Muffler Bracket 1 CYL, B&S 11.5HP & 13HP Muffler Bracket 1 CYL, B&S 14.5 HP & 16.5 HP	1 1
7		Screw Hex 1/4" X 3/8" B&S	4
8		Screw Hex 1/4" X 5/8" B&S	3
9		Muffler B&S	1
10		Exhaust Gasket B&S	1
11	80006 80028	Exhaust Pipe 11.5HP & 13HP Exhaust Pipe 14.5HP & 16.5HP	1 1
12	CH50512C	Screw	2
13	SH0508C	Screw	1
14	PR0306	Rivet	2
15	15235	Battery Lead Black 3 Term	1
16	N04C	Nut	1
17	AM265	Battery Lead Red L=490	1
18	KIT167	Fuel Tank Incl Washers & Nuts	1
19	CF01	Petrol Cap	1
20	DEC085	Decal— Fuel Tank Warning	1
21	W030820	Washer Lock Int Tooth	2
22	NM5N	Nut	2
23	AM294	Grommet	1
24	AM293	Petrol Tap	1
25	14107	Fuel Line	1
26	13101	Throttle Control	1
27	AM295	Spark Plug Spanner	1
28	AM007	Plug Spanner Tommy Bar	1
29	AM233	Engine Pulley Spacer	1
30	AM234	Engine Pulley	1
31	GS0505C	Screw	1
32	AM175	Engine Pulley Key	1
33	W072004	Washer	1
34	WS071006	Washer— Spring Lock	1
35	B0720F 80024 80025	Bolt Engine Wiring Tubing Deflector Exhaust Gas	1 1 1

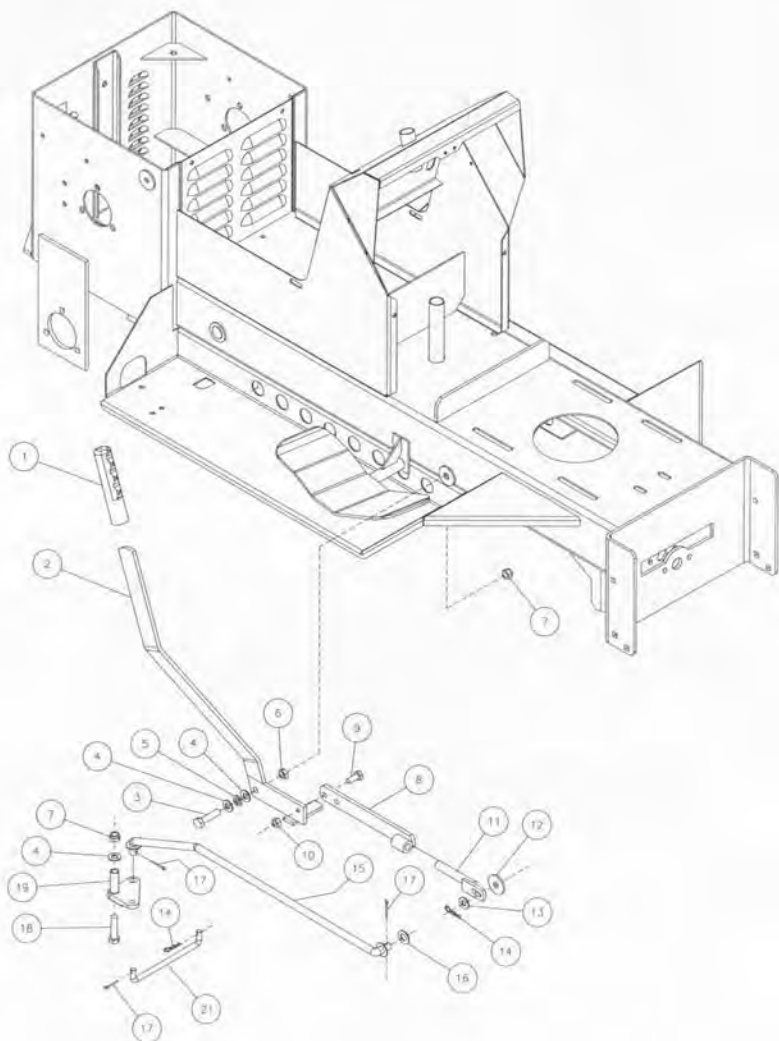
Model 8002G 8004F 8004K:- Left Hand Side of Chassis Components



Model 8002G 8004F 8004K:- Left Hand Side of Chassis Components

ITEM	PART NO	DESCRIPTION	QTY
1	AM285	Brake Pedal	1
2	AM284K94	Park Brake Lever	1
3	AM288	Park Brake Spring	1
4	B0620C	Bolt	3
5	W061216	Washer	4
6	N06CN	Nut	1
7	AM290	Park Brake Knob	1
8	CP3-220	Split Pin	1
9	AM183	Brake Pedal Spring	1
10	AM143M9	Height Adjustment Pawl Push Rod	1
11	AM012	Height Adjustment Pawl Push Rod Spring	1
12	AM013Q2	Height Adjustment Pawl Push Rod Button	1
13	CP2-512	Height Adjustment Pawl Push Rod Split Pin	1
14	AM011	Height Adjustment Pawl	1
15	SH0516C	Height Adjustment Pawl Pivot Bolt	1
16	N05CN	Height Adjustment Pawl Pivot Bolt Nut	1
17	AM185B0	Cutter Housing Lifting Link	1
18	NF06CN	Nut	3
19	RP02	Cutter Lifting Link 'R' Pin	1
20	AM267	Front to Rear Connecting Rod Threaded	1
21	AM268	Front to Rear Connecting Rod Bushed	1
22	AM249	Connecting Rod Bush	1
23	W0620HD	Connecting Rod Rear Bolt Washer	1
24	NSM02	Non Skid - Brake Pedal	1

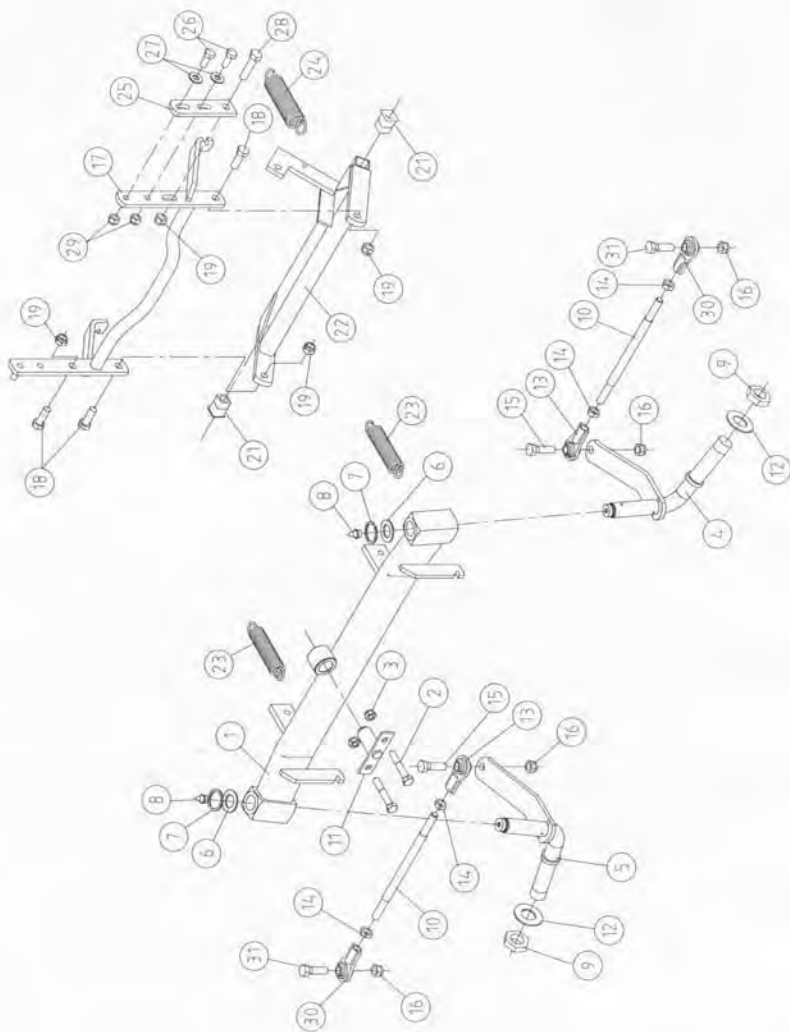
Model 8002G 8004F 8004K:- Right Hand Side of Chassis Components



Model 8002G 8004F 8004K:- Right Hand Side of Chassis Components

ITEM	PART NO	DESCRIPTION	QTY
1	AM009	Hand Grip	1
2	80016	Cutter Disengaging Lever	1
3	B0624C	Bolt	1
4	W061216	Washer	3
5	WS06081.5	Washer—Spring	1
6	N06C	Nut	1
7	N06CN	Nut	2
8	AM240	Disengaging Adjuster Bush	1
9	SH0512C	Screw	1
10	NT05CN	Nut	1
11	AM241	Disengaging Adjuster Threaded	1
12	W0620HD	Washer	1
13	W051218	Washer	1
14	RP01	'R' Pin	2
15	80021	Drive Link Long	1
16	W071416	Washer	1
17	CP3-220	Split Pin	3
18	B0636C	Bolt	1
19	AM182E94	Clutch Rod Pivot Lever	1
21	AM238	Clutch Rod Short	1

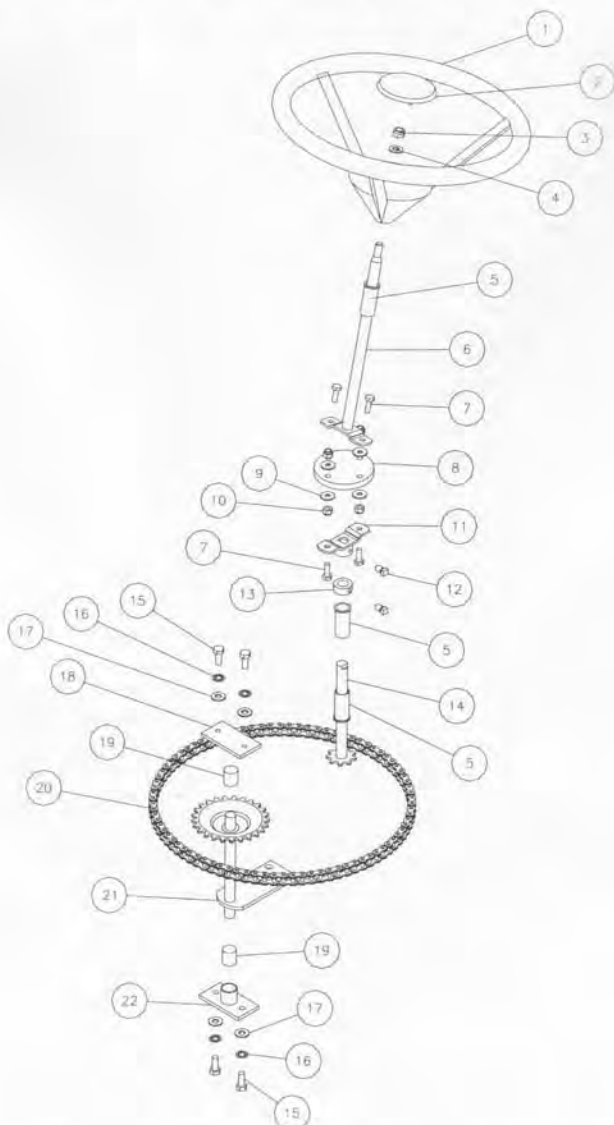
Model 8002G 8004F 8004K:- Front Axle Components



Model 8002G 8004F 8004K:- Front Axle Components

ITEM	PART NO	DESCRIPTION	QTY
1	AM332	Front Axle Beam	1
2	SH0850M	Bolt	2
3	NM8NT	Nut	2
4*	AM333	Stub Axle LH	1
5--	AM334	Stub Axle RH	1
6**	AM336	Stub Axle Sealing Washer	2
7**	C02	Stub Axle Circlip	2
8**	GNTF3	Grease Nipple	2
9	NHM20X1.5T	Front Wheel Nut	2
10	AM256	Tie Rod Inc 2 x nuts	2
11	13242	Front Axle Pivot Pin	1
12	W203806	Front Wheel Spacer	2
13	AM337	Tie Rod End	2
14	N06F	Tie Rod End Lock Nut	4
15	B0624C	Tie Rod End Bolt	4
16	NF06CN	Tie Rod End Bolt Nut	4
17	AM341	Front Axle Connecting Link	1
18	B0620C	Connecting Link Bolt	3
19	NF06CN	Connecting Link Bolt Nut	4
21	AM230	Cutter Housing Conn. Link Bushes	2
22	AM342	Cutter Housing Conn. Link	1
23	AM040	Cutter Belt Tension Spring	2
24	AM145	Weight Compensating Spring	1
25	AM304	Front Axle Conn Link Adjuster	1
26	SH0516C	Front Axle Conn Link Adjuster Bolt	2
27	W05M202	Front Axle Conn Link Adjuster Washer	2
28	B0624C	Front Axle Conn Link Adj Pivot Bolt	2
29	N05CN	Front Axle Conn Link Adj. Nut	2
30	AM020	Inner Tie Rod End	2
31	B0620C	Inner Tie Rod Bolt	2
*	SKIT89	Stub Axle Left Hand	
--	SKIT90	Stub Axle Right Hand	

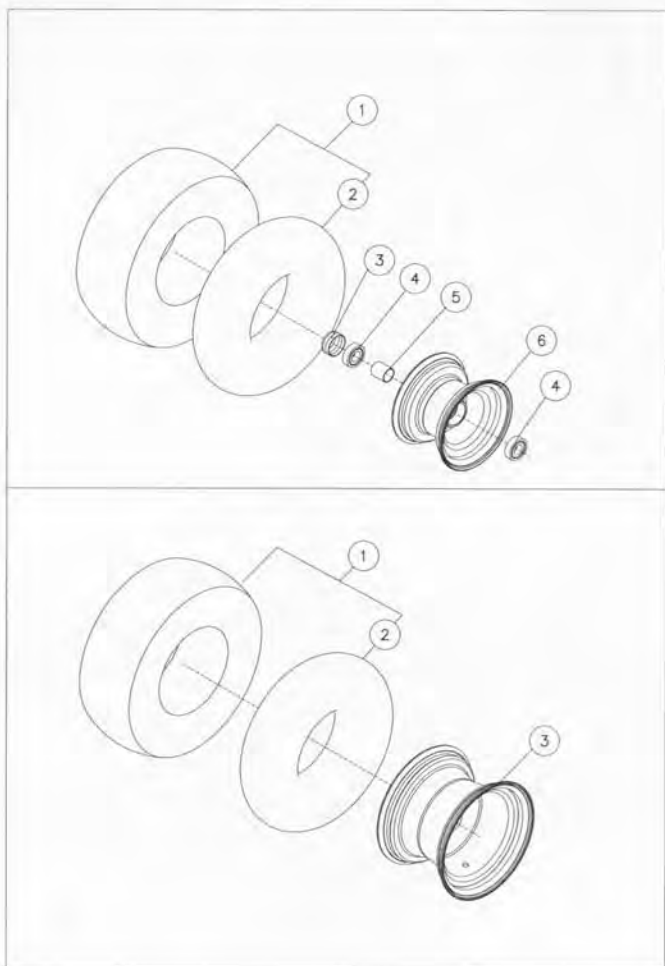
Model 8002G 8004F 8004K:- Steering Components



Model 8002G 8004F 8004K:- Steering Components

ITEM	PART NO	DESCRIPTION	QTY
1	SKJT37	Steering Wheel Incl. Emblem	1
	AM167M8	Steering Wheel	1
2	AM225	Steering Wheel Emblem	1
3	NF06CN	Steering Wheel Nut	1
4	W0620HD	Steering Wheel Washer	1
5	AM017C1	Steering Shaft Bush	3
6	AM250	Steering Shaft Upper	1
7	B0625M	Bolt	4
8	AM25399J	Steering Shaft Universal	1
9	W041216	Washer	4
10	NM6NT	Nut	4
11	AM252	Steering Shaft Flange	1
12	GS0404C	Set Screw	2
13	AM066	Steering Shaft Lock Collar	1
14	AM251	Steering Shaft Lower	1
15	SH0512C	Steering Idler Shaft Mtg Bracket Bolt	4
16	WS050216	Idler Shaft Mtg Bracket Spring Washer	4
17	W05M202	Steering Idler Shaft Mtg Bracket Washer	4
18	80013	Steering Idler Shaft Mtg Bracket Upper	1
19	AM215	Steering Idler Shaft Mtg Bracket Bush	2
20	AM018	Chain Incl. Link	1
	SAM019	Connecting Link	1
21	AM331	Steering Idler Shaft	1
22	AM255	Steering Idler Shaft Mtg Bracket Lower	1

Model 8002G 8004F 8004K:- Wheel Components



Model 8002G 8004F 8004K:- Wheel Components

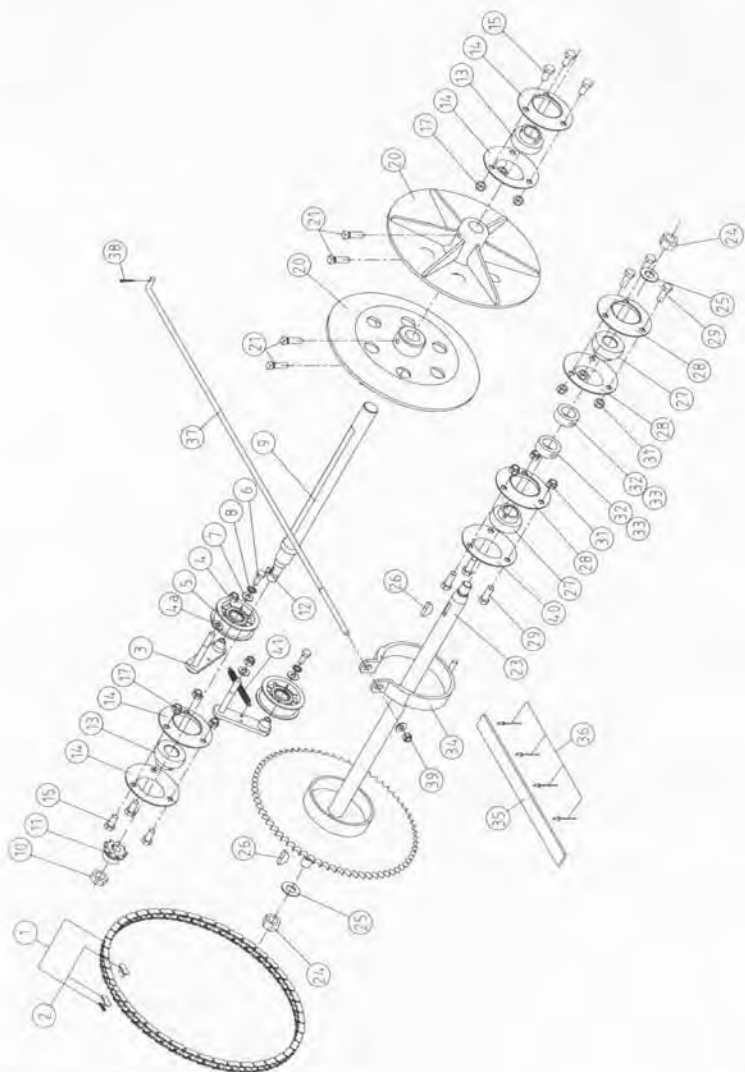
PARTS LIST: FRONT WHEEL COMPONENTS

ITEM	PART NO	DESCRIPTION	QTY
1	TT500X6	Front Wheel Tyre & Tube	2
	STU500X6	Front Wheel Tube	2
3	AM07099C	Front Wheel Hub Cap	2
4	BB204212N	Ball Bearing	4
5	AM021	Bearing Spacer	2
6	AM193M9	Wheel Hub	2

PARTS LIST: REAR WHEEL COMPONENTS

ITEM	PART NO	DESCRIPTION	QTY
1	TT650X8	Rear Wheel Tyre & Tube	2
	STU650X8	Rear Wheel Tube	2
3	AM194	Wheel Hub	2

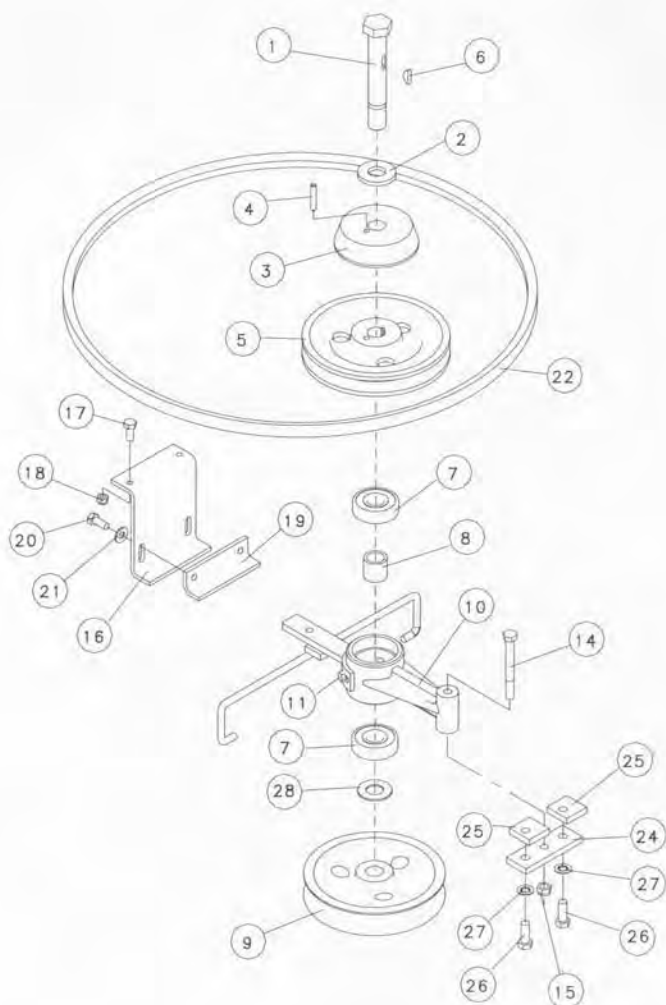
Model 8002G 8004F 8004K:- Drive Components



Model 8002G 8004F 8004K:- Drive Components

ITEM	PART NO	DESCRIPTION	QTY
1	231901	Drive Chain Incl Link	1
2	S231904	Connecting Link	1
3	AM362	Chain Tensioner	2
4	N06CN	Tensioner Nut	2
4a	W061216	Tensioner Washer	2
5	PIFB8126598A	Bearing Idler	2
6	SH0512C	Ret. Bolt	2
7	W051218	Ret. Nut Washer	2
8	WS050216	Ret. Nut Spring Washer	2
9	AM363	Intershaft	1
	AM364	Sleeve, Spacer, Shaft	1
10	N10FT	Intershaft Nut	1
11	SKJT65	Intershaft Sprocket & Key	1
12	SK03	Intershaft Sprocket Key	1
13	BB25SAN	Intershaft Bearing	2
14	AM024	Intershaft Bearing Flange	4
15	SH0612C	Bearing Flange Bolt	6
17	NF06CN	Bearing Flange Bolt Nut	6
20	AM197	Clutch Plate	2
21	SS0612W	Clutch Plate Set Screw	4
23	231903	Rear Axle	1
24	N10F	Rear Axle Nut	2
25	W102016	Rear Axle Washer	2
26	K18	Rear Axle Key	2
27	BB25SAN	Rear Axle Bearing	2
28	AM024	Rear Axle Bearing Flange	3
29	SH0616C	Bearing Flange Bolt	3
31	NF06CN	Bearing Flange Bolt Nut	6
32	AM025	Rear Axle Lock Collar	2
33	GS0505C	Lock Collar Set Screw	2
34	KIT16	Drum Brake Incl Lining	1
35	AM200	Brake Band Lining	1
36	PRO205	Brake Lining Rivet	4
37	AM266	Drum Brake Rod	1
38	CP3-220	Drum Brake Rod Split Pin	1
39	N05CN	Drum Brake Rod Nut	1
39a	W051218	Brake Drum Washer	1
40	AM202	Rear Axle Bearing Flange LH	1
41	AM288	Chain Tensioner Spring	1
42	W105	Rear Axle S/P Washer	2
	AM006C1	Clutch Plate Tube Spanner	1
	13126	Clutch Clearance Gauges	2

Model 8002G 8004F 8004K:- Clutch Arm Components



Model 8002G 8004F 8004K:- Clutch Arm Components

ITEM	PART NO	DESCRIPTION	QTY
1	AM204J3	Clutch Shaft	1
2	W204305	Clutch Cone Ret. Washer	1
3	CC2095G	Clutch Cone	1
4	AM026	Clutch Cone Pin	1
5	AM326	Clutch Pulley Upper	1
6	SK09	Clutch Pulley Key	1
7	BB205215N	Clutch Bearing	2
8	AM072	Clutch Bearing Spacer	1
9	252001	Clutch Pulley Lower	1
10	AM207	Clutch Arm c/w Yoke	1
14	B0652C	Clutch Arm Pivot Bolt	1
15	N06CN	Clutch Arm Pivot Bolt Nut	1
16	AM206	Clutch Arm Locating Bracket	1
17	SH0616M	Clutch Arm Locating Bracket Bolt	2
18	NM6NT	Clutch Arm Locating Bracket Bolt Nut	2
19	AM246	Clutch Arm Bracket Wear Plate	1
20	SH0512C	Clutch Arm Bracket Wear Plate Bolt	2
21	W05M202	Clutch Arm Brkt Wear Plate Washer	2
21a	WS050216	Wear Plate Spring Washer	2
22	V34	Belt - Engine to Clutch	1
24	AM208	Clutch Adjusting Plate	1
25	AM209	Clutch Plate Tapped	2
26	SH0616C	Adjusting Plate Bolt	2
27	W061216	Adjusting Plate Bolt Washer	2
27a	WS06181.5	Bolt Spring Washer	1
28	W203902	Clutch Pulley Bearing Washer	1

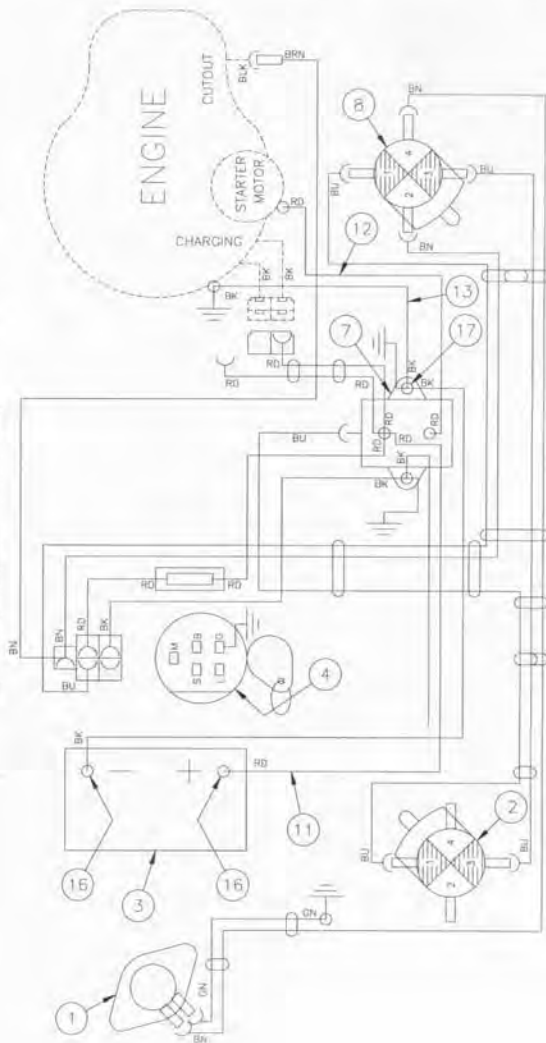
Model 8002G 8004F 8004K:- Electrical Components (CR8001 & CR8003)

CABLE COLOURS	
CODE	COLOUR
BK	BLACK
BLU	BLUE
BN	BROWN
GN	GREEN
OG	ORANGE
PL	PURPLE
RD	RED

CUTTER SWITCH				
POSITION	1	2	3	4
ENGAGED	→	→	→	→
DISENGAGED	→	→	→	→

FOOT SWITCH				
POSITION	1	2	3	4
DEPRESSED	→	→	→	→
RAISED	→	→	→	→

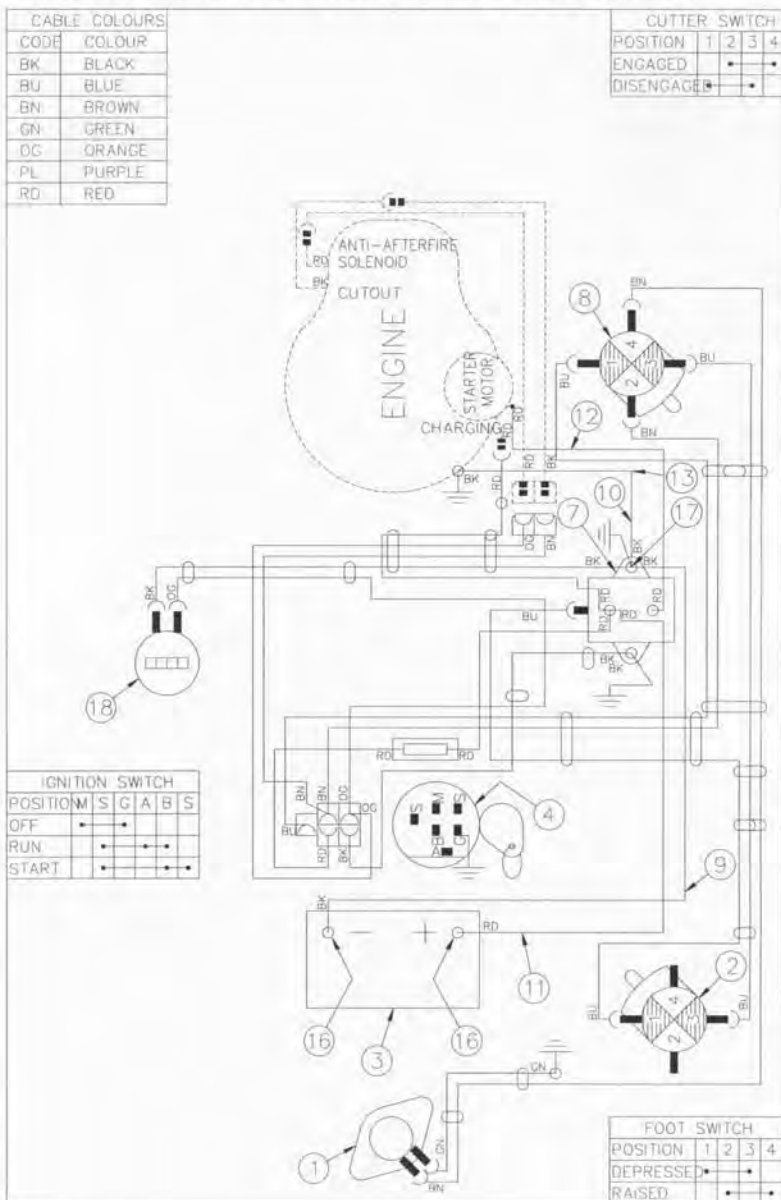
IGNITION SWITCH					
POSITION	M	B	G	L	S
OFF	→	→	→	→	→
RUN	→	→	→	→	→
START	→	→	→	→	→



Model 8002G 8004F 8004K:- Electrical Components (CR8001 & CR8003)

ITEM	PART NO	DESCRIPTION	QTY
1	SSL	Seat Switch	1
2	SKIT132	Foot Switch	1
3	AM109	Battery	1
	AM109 CAP	Battery Cap Set	1
4	AM014	Ignition Switch 11.5HP &13HP	1
	AM015	Ignition Key	2
7	AM159	Solenoid	1
8	SKIT133	Disengaging Switch	1
10	80008	Wiring Harness 11.5HP &13HP	1
11	13115	Battery to Solenoid (Red) Lead	1
12	AM265	Solenoid to Starter Motor (Red)	1
13	15235	Chassis to Engine & Battery Lead (Black)	1
16	SH0616M	Battery Terminal Bolt	2
	NM6NT	Battery Terminal Bolt Nut	2
17	SH0616M	Solenoid Mounting Bolt	2
	NM6NT	Solenoid Mounting Bolt Nut	2
	SAM160	Fuse Holder	1
	AM096	Loom Clamp	1
	PR0306	Loom Clamp Pop Rivet	1
	W030620	Pop Rivet Washer	2
	80024	Engine Wiring Tubing	1

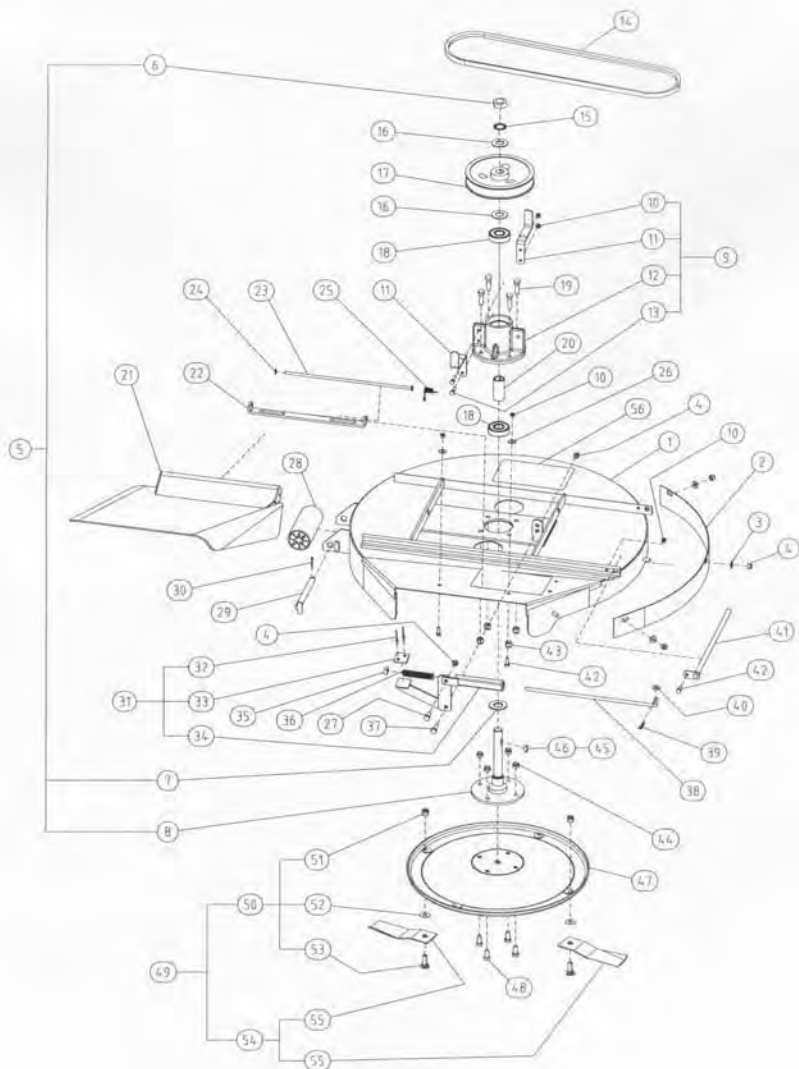
Model 8004F 8004K:- Electrical Components (CR8004 & CR8005)



Model 8004F 8004K:- Electrical Components (CR8004 & CR8005)

ITEM	PART NO	DESCRIPTION	QTY
1	SSL	Seat Switch	1
2	SKIT132	Foot Switch	1
3	AM109	Battery	1
	AM109 CAP	Battery Cap Set	1
4	13125	Ignition Switch 14.5HP & 16.5HP	1
	AM015	Ignition Key	2
7	AM159	Solenoid	1
8	SKIT133	Disengaging Switch	1
10	8002604F	Wiring Harness 14.5HP & 16.5HP	1
11	13115	Battery to Solenoid (Red) Lead	1
12	AM265	Solenoid to Starter Motor (Red)	1
13	15235	Chassis to Engine & Battery Lead (Black)	1
16	SH0616M	Battery Terminal Bolt	2
	NM6NT	Battery Terminal Bolt Nut	2
17	SH0616M	Solenoid Mounting Bolt	2
	NM6NT	Solenoid Mounting Bolt Nut	2
	SAM160	Fuse Holder	1
	AM096	Loom Clamp	1
	PR0306	Loom Clamp Pop Rivet	1
	W030620	Pop Rivet Washer	2
	80024	Engine Wiring Tubing	1
18	AM211	Hour Meter	1

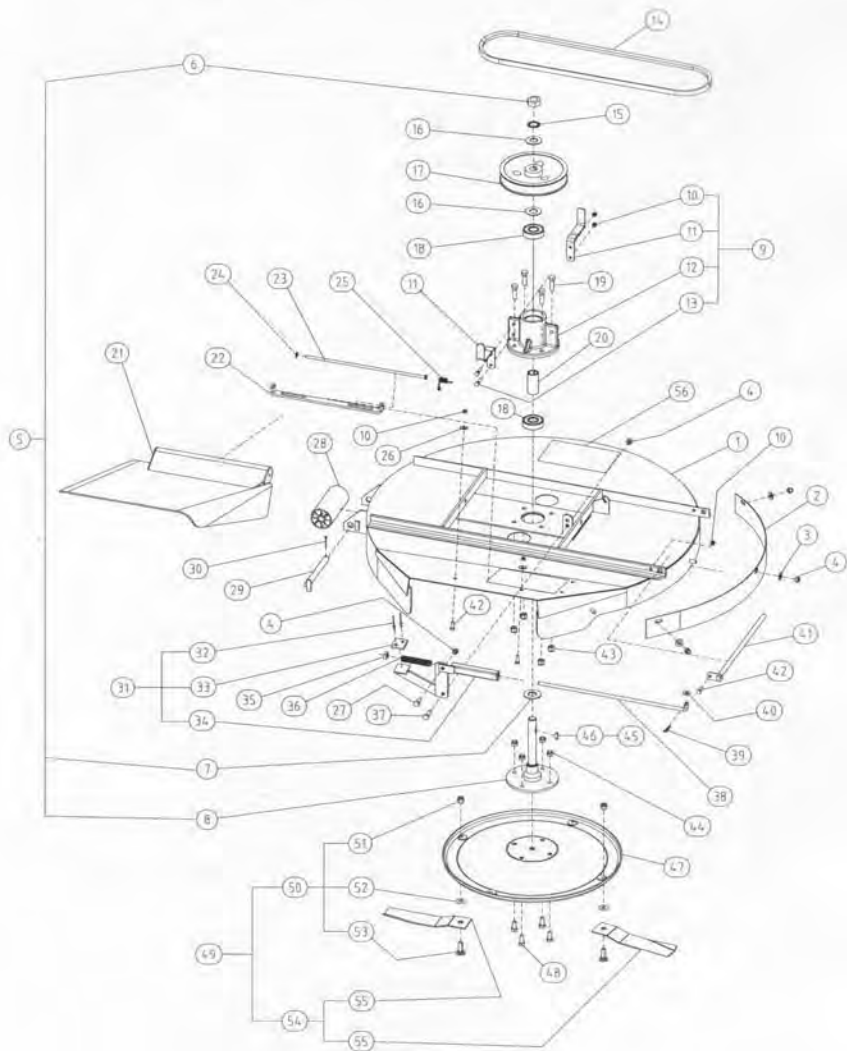
Model 8002G 8004F 8004K:- C094398H 28" Mowing Attachment



Model 8002G 8004F 8004K:- C094398H 28" Mowing Attachment

ITEM	PART NO	DESCRIPTION	QTY
1	SKIT123	Cutter Housing 28" Incl Cutter Guard & Pivot Pin	1
2	AM220	Cutter Guard 28" & 32"	1
3	W051216	Washer	3
4	N05CN	Nut	5
5,8	13181	Cutter Spindle Incl Washer & Nut	1
6	NHM20X1.5T	Nut	1
7	13128	Washer	1
9,12	SKIT08	Bearing Housing Inc Belt Guides	1
10	NM6NT	Nut	5
11	AM073	Belt Guide	2
13	B0625M	Bolt	2
14	V13	Vee Belt	1
15	WM205	Washer—Lock Int Tooth	1
16	W203902	Washer	2
17	AM030	Pulley	1
18	BB205215N	Ball Bearing	2
19	B0620C	Bolt	4
20	AM029	Bearing Spacer Sleeve	1
21	AM259	Deflector	1
22	AM052E1	Deflector Bracket	1
23	AM273	Deflector Pivot Rod	1
24	AM274	Push On Fastener	1
25	AM272	Deflector Spring	1
26	W041216	Washer	2
27	SH0512C	Screw	1
28	AM036	Roller	1
29	AM037	Cutter Housing Roller Shaft	1
30	CP3-220	Split Pin	1
31	KIT15	Cutter Brake	1
32	PR0205	Rivet	2
33	AM033195	Cutter Brake Pad	1
34	AM034H0	Cutter Brake Adjuster Bracket	1
35	NS05C	Nut Square	1
36	AM035	Cutter Brake Compression Spring	1
37	SH0516C	Screw	1
38	091310	Cutter Break Adjuster Rod	1
39	RP01	'R' Pin	1
40	W051218	Washer	1
41	13016	Pivot Pin	1
42	SH0616M	Screw	3
43	NF06CN	Nut	4
44	N06CN	Nut	4
45,46	SK09	Woodruff Key	2
47	AM07604A	Cutter Disc	1
48	SH0612C	Screw	4
49	SKIT32	Blade, Bolt, Nut, Washer Set 28" Stepped Low Lift	1
	SKIT33	Blade, Bolt, Nut, Washer Set 28" Stepped High Lift	1
50,51,52,53	SKIT01D1	Blade Bolt, Nut, Washer Set	1
54,55	SMB150SHD	Blade Set Stepped Low Lift	1
	SMB150AHD	Blade Set Stepped High Lift	1
56	DEC116	Decal—Danger Mower Attachment	1

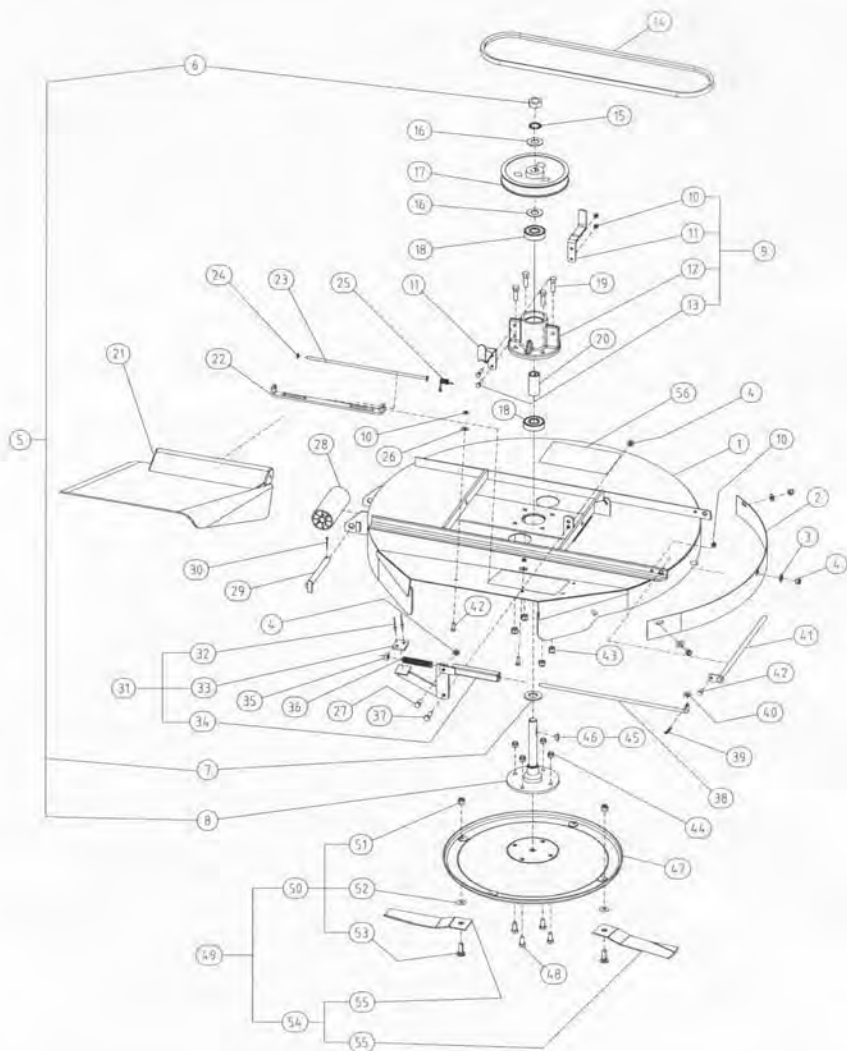
**MODEL 8002G 8004F
C262598F 32" MOWING ATTACHMENT**



**MODEL 8002G 8004F
C262598F 32" MOWING ATTACHMENT**

ITEM	PART NO	DESCRIPTION	QTY
1	SKIT122	Cutter Housing 32" Incl Cutter Guard & Pivot Pin	1
2	AM220	Cutter Guard 28" & 32" Black	1
3	W051216	Washer	3
4	N05CN	Nut	5
5	13181	Cutter Spindle	1
6	NHM20X1.5T	Nut	1
7,8	13128	Washer	1
9,12	SKIT08	Bearing Housing Inc Belt Guides	1
10	NM6NT	Nut	5
11	AM073	Belt Guide	2
13	B0625M	Bolt	2
14	V10	Vee Belt	1
15	WM205	Washer	1
16	W203902	Washer	2
17	AM030	Pulley	1
18	BB205215N	Ball Bearing	2
19	B0620C	Bolt	4
20	AM029	Bearing Spacer Sleeve	1
21	AM259	Deflector	1
22	AM052E1	Deflector Bracket	1
23	AM273	Deflector Pivot Rod	1
24	AM274	Push On Fastener	1
25	AM272	Deflector Spring	1
26	W041216	Washer	2
27	SH0512C	Screw	1
28	AM036	Roller	1
29	AM037	Cutter Housing Roller Shaft	1
30	CP3-220	Split Pin	1
31	KIT15	Cutter Brake Incl Pad	1
32	PR0205	Rivet	2
33	AM033195	Cutter Brake Pad	1
34	AM034H0	Cutter Brake Adjust Bracket	1
35	NS05C	Nut—Square	1
36	AM035	Cutter Brake Compression Spring	1
37	SH0516C	Screw	1
38	251301	Cutter Brake Adj Rod	1
39	RP01	"R" Pin	1
40	W051218	Washer	1
41	13016	Pivot Pin	1
42	SH0616M	Screw	3
43	NF06CN	Nut	4
44	N06CN	Nut	4
45,46	SK09	Woodruff Key	2
47	AM07604A	Cutter Disc	1
48	SH0612C	Screw	4
49	SKIT54	Blade, Bolt, Nut, Washer Set 32" Stepped Low Lift	1
	SKIT55	Blade, Bolt, Nut, Washer Set 32" Stepped High Lift	1
50,51,52,53	SKIT01D1	Bolt, Nut, Washer Set	1
54,55	SMB198SHD	Blade Set Stepped Low Lift	1
	SMB198AHD	Blade Set Stepped High Lift	2
56	DEC116	Decal—Danger Mower Attachment	1

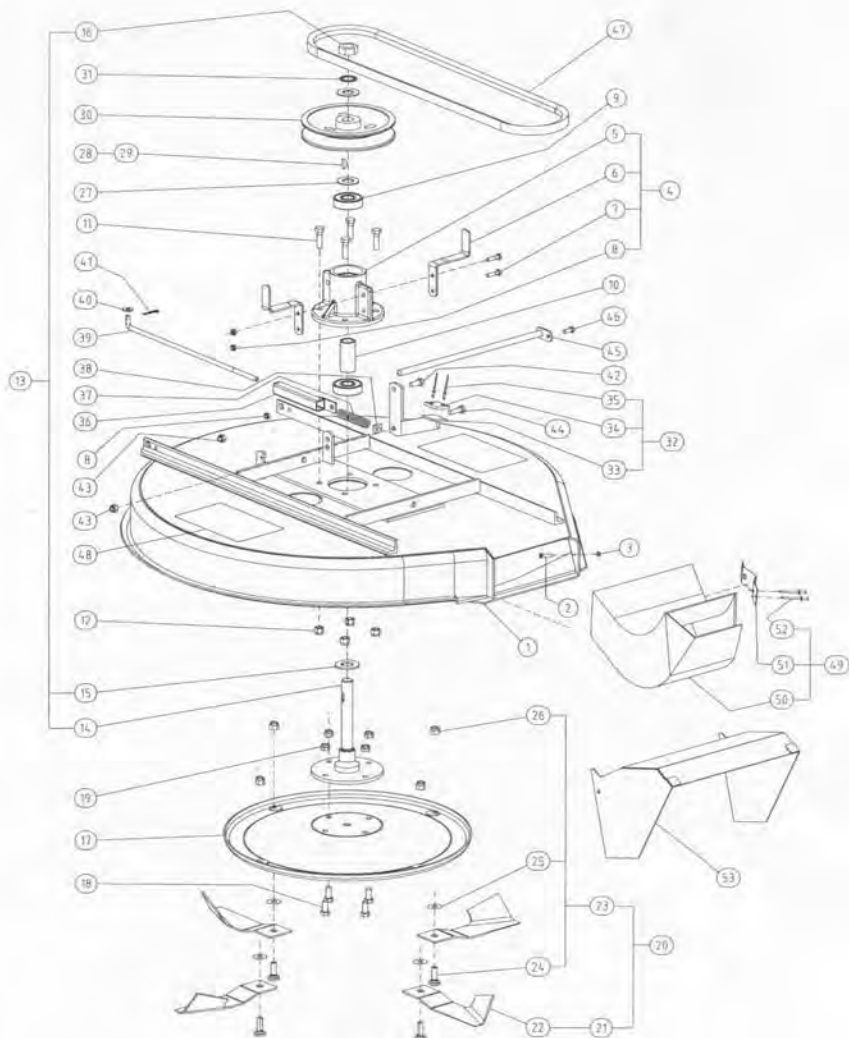
Model 8004K:- C9180004J 32" Mowing Attachment



Model 8004K:- C9180004J 32" Mowing Attachment

ITEM	PART NO	DESCRIPTION	QTY
1	91001	Cutter Housing 32"	1
2	91002	Cutter Guard 32"	1
	BCHSNM8X20	32" Cutter Guard Ret Bolt	3
3	W051216	Washer	3
4	NMBNT	Nut	5
5	13181	Cutter Spindle Inc Washer & Nut	1
6	NHM20X1.5T	Nut	1
7,8	13128	Washer	1
9,12	SKIT08	Bearing Housing Inc Belt Guides	1
10	NM6NT	Nut	5
11	AM073	Belt Guide	2
13	B0625M	Bolt	2
14	V10	Vee Belt	1
15	WM20S	Washer	1
16	W20390Z	Washer	2
17	AM030	Pulley	1
18	BB205215N	Ball Bearing	2
19	B0620C	Bolt	4
20	AM029	Bearing Spacer Sleeve	1
21	AM259	Deflector	1
22	AM052E1	Deflector Bracket	1
23	AM273	Deflector Pivot Rod	1
24	AM274	Push On Fastener	1
25	AM272	Deflector Spring	1
26	W041216	Washer	2
27	SH0820M	Screw	1
28	AM036	Roller	1
29	AM037	Cutter Housing Roller Shaft	1
30	CP3-220	Split Pin	1
31	KIT15	Cutter Brake incl Pad	1
32	PR020S	Rivet	2
33	AM033I95	Cutter Brake Pad	1
34	AM034H0	Cutter Brake Adjust Bracket	1
35	NS05C	Nut—Square	1
36	AM035	Cutter Brake Compression Spring	1
37	SH0825M	Screw	1
38	251301	Cutter Brake Adj Rod	1
39	RP01	'R' Pin	1
40	W051218	Washer	1
41	13016	Pivot Pin	1
42	SH0616M	Screw	3
43	NF06CN	Nut	4
44	ND6CN	Nut	4
45,46	SK09	Woodruff Key	2
47	AM07604A	Cutter Disc	1
48	SH0612C	Screw	4
49	SKIT54	Blade, Bolt, Nut, Washer Set 32" Stepped Low Lift	1
	SKIT55	Blade, Bolt, Nut, Washer Set 32" Stepped High Lift	1
50,51,52,53	SKIT01D1	Bolt, Nut, Washer Set	1
54,55	SMB198SHD	Blade Set Stepped Low Lift	1
	SMB198AHD	Blade Set Stepped High Lift	2
56	DEC116	Decal—Danger Mower Attachment	1

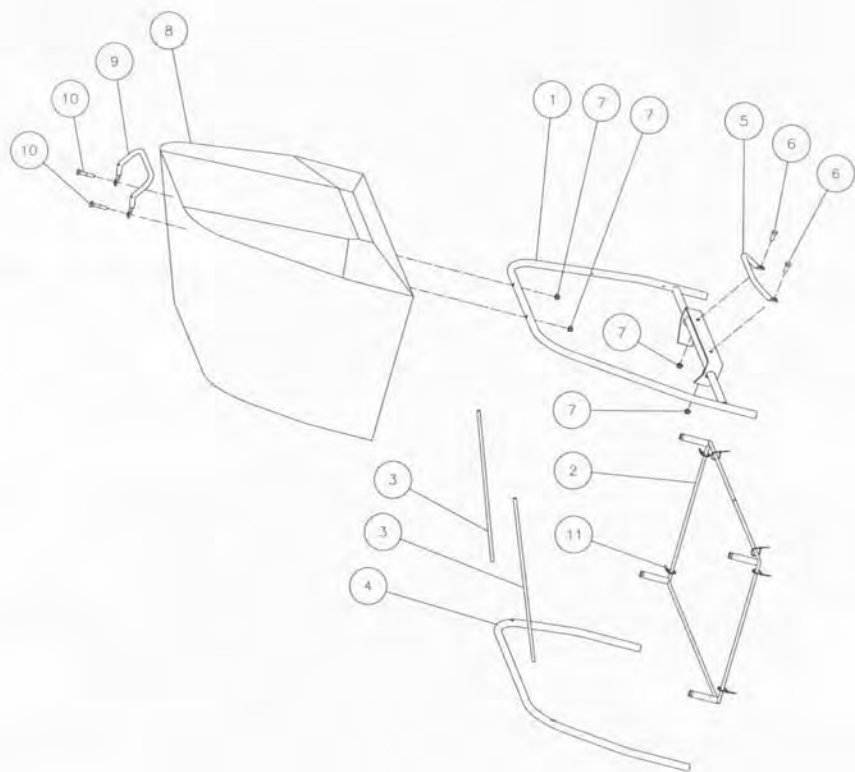
Model 8002G 8004F 8004K:- C094398H 28" Mowing Attachment



Model 8002G 8004F 8004K:- C094398H 28" Mowing Attachment

ITEM	PART NO	DESCRIPTION	QTY
1	L3308	Cutter Housing 30" Rear Discharge	1
2	SPM5X20	Screw	1
3	NM5NT	Nut	1
4,5	SKIT08	Bearing Housing Inc Belt Guides	1
6	AM073	Belt Guide	2
7	B0625M	Bolt	2
8	NM6NT	Nut	3
9	BB205215N	Ball Bearing	2
10	AM029	Bearing Spacer Sleeve	1
11	B0620C	Bolt	4
12	NF06CN	Nut	4
13,14	L3181	Cutter Spindle Inc Washer & Nut	1
15	L3128	Washer	1
16	NHM20X1.5T	Nut	1
17	AM07604A	Cutter Disc	1
18	SH0612C	Screw	4
19	N06CN	Nut	4
20	KIT146	Blade, Blade Bolt, Nut & Washer Set	1
21,22	SMB180	Mower Blade 180 High Flute (pr)	2
23,24,25,26	SKT010D1	Blade Bolt, Nut, Washer Set	2
27	W203902	Washer	2
28,29	SK09	Woodruff Key Set	1
30	AM030	Pulley	1
31	WM20S	Washer—Lock Int Tooth	1
32,33	KIT15	Cutter Brake	1
34	AM03319S	Cutter Brake Pad	1
35	PR020S	Rivet	2
36	AM034H0	Cutter Brake Adjust Bracket	1
37	AM03S	Cutter Brake Compression Spring	1
38	NS05C	Nut Square	1
39	L3317	Cutter Brake Adjust Rod 30"	1
40	W051218	Washer	1
41	RP01	'R' Pin	1
42	SH0512C	Screw	1
43	N05CN	Nut	2
44	SH0516C	Screw	1
45	L3016	Pivot Pin	1
46	SH0616M	Screw	1
47	V31	Vee Belt	1
48	DEC116	Decal—Danger Mower Attachment	1
49,50	L3314	Discharge Chute	1
51	AM080	Catcher Chute Lock Plate	1
52	PR0306	Rivet	2
53	L3334	Discharge Chute Deflector 30" Cutter	1

Model 8004K:- 150 Litre Bag Catcher



Model 8002G 8004F 8004K:- 150 Litre Bag Catcher

ITEM	PART NO	DESCRIPTION	QTY
1	13315	Upper Catcher Frame	1
2	13312	Catcher Front Frame	1
3	13311	Catcher Frame Strut	2
4	14151	Catcher Bottom Frame	1
5	14154	Catcher Front Handle	1
6	SH0820M	Screw	2
7	NM8NT	Nut	4
8	13322	Catcher Bag 150L MOD 43	1
9	14158	Catcher Rear Handle	1
10	B0840M	Bolt	2
11	CABLETIES	Cable Ties	6

COX INDUSTRIES WARRANTY POLICY

NEW MOWER:

COX INDUSTRIES warrants in respect of each new ride-on mower sold, that for a period of one (1) year (Domestic use**) or six (6) months Commercial/Contractors/Hire use***) to the original purchaser from the date of purchase, COX INDUSTRIES or an authorised dealer will repair or replace free of charge any ride-on mower parts found to be defective in materials or workmanship under normal use and operating conditions provided that:

1. The mower has been properly and reasonably used, operated, maintained and regularly serviced as per the maintenance schedule during the warranty period.

2. The replacement or repair is performed by an authorised COX INDUSTRIES Dealer.

** "Domestic/Consumer use" means the personal residential household (property use by the original retail purchaser.

*** "Commercial use" means all other uses, including income producing, rental, schools, government departments and charity operators.

NEW MOWER WARRANTY EXTENSION:

To triple the warranty period (Domestic use only) from the existing 12 mths to 36 mths or 300hrs, which ever comes first, all we require is that:-

1. The warranty registration form be completed and returned to COX INDUSTRIES within 14 days from date of purchase.

2. The mower receives an initial service at 5 to 10 hrs or 1 month, then a service as per the maintenance schedule at every 50hrs or 6 months which ever is the sooner, and those service times and dates are recorded by the COX INDUSTRIES servicing Dealer in the service log provided in this Owners Manual.

PARTS INSTALLED DURING NEW MOWER WARRANTY PERIOD:

Warranty coverage for parts installed during new mower warranty period shall consist of the remainder of the new mower warranty period or ninety (90) days, which ever is greater, provided the installation is performed by an authorised COX INDUSTRIES Dealer.

ENGINE:

The engine in a new Mower is covered by the manufacturer of that specific engine, not by COX INDUSTRIES. Refer to the engine owners manual for details.

BATTERY:

The battery in a new mower is covered for a period of twelve (12) months by the battery supplier and/or COX INDUSTRIES to the original purchaser from the date of purchase.

ELECTRIC CLUTCH [18.0HP ONLY]:

The electric clutch in a new mower is covered for a period of twelve (12) months by the electric clutch supplier and/or

COX INDUSTRIES to the original purchaser from the date of purchase.

WARRANTY SERVICE :

In the event of a need for warranty service contact your local authorised COX INDUSTRIES Dealer.

Date of purchase of machine must be given before warranty claim will be accepted for processing.

WARRANTY REGISTRATION:

The warranty registration card must be completed by the dealer with the customer at the time of purchase and returned to COX INDUSTRIES or an authorised Dealer within 14 days.

WARRANTY EXCLUSIONS:

- 1) The rental of another machine or related equipment while unit repairs are in progress.
- 2) Telephone, facsimile expenses or other related communication expenses.
- 3) Transportation and Insurance charges during transportation of failed unit or any part thereof.
- 4) The labour, parts, mechanical adjustments or lubricant costs which, in the judgement of COX INDUSTRIES or their authorised dealer, are made or should be made as standard maintenance according to the COX-INDUSTRIES maintenance schedule.
- 5) The replacement of normal maintenance parts such as (mower discs, blades, bolts and nuts, vee belts, bearings, chains and clutch cones) made in connection with normal maintenance services as opposed to manufacturing defects.
- 6) Any defect caused by alteration, modification, fitment of a non-genuine part or attachment not approved by COX INDUSTRIES.
- 7) Any defect caused by misuse, negligence, accidents or failure to carry out proper maintenance procedures.
- 8) Any defect caused by work carried out by other than an authorised dealer.
- 9) Damage caused by continued operation of the machine after it is known to be defective.
- 10) Damage caused by racing and similar activities or by overloading.

All implied warranties (save those preserved by statute) are excluded. Liability for consequential damages under any and all warranties are excluded to the extent exclusion is permitted by law.

To the extent that it is not prevented from doing so from statute, the manufacturer will not accept liability for costs of labour, postage, cartage or delivery to replace faulty materials or parts; or for any loss, damage or accident directly, indirectly, or consequently suffered by the purchaser, operator or any other person or property as a result of such faults whether due to defective materials or workmanship or otherwise

The careless or improper use of a machine of this type can

Due to COX Industries on-going commitment to product improvement, we reserve the right to change at any time, product specifications, configurations and company policies.



Cox Industries (Australia) Pty Ltd

**70 Landseer Street
Acacia Ridge Qld 4110
P.O. Box 6266DC Acacia Ridge Q 4110
Australia
PH 07 3323 2222 FAX 07 3344 6233**

Web Site Address: www.coxmowers.com.au

Email: sales@coxmowers.com.au