



**ZERO TURNING RADIUS
RIDE-ON MOWER**
Model 8804J



OWNER/OPERATORS MANUAL

READ THIS MANUAL BEFORE OPERATING MACHINE

DEATH, PERSONAL INJURY AND/OR PROPERTY DAMAGE MAY OCCUR UNLESS INSTRUCTIONS IN THIS
MANUAL ARE FOLLOWED

NOTE: Bring this Manual when Service & or Warranty work is required.

Revised 03/05/2005

'Z.CUT' MODEL 8804J MOWER

OWNERS INFORMATION

MACHINE CODE NO: _____

SERIAL NO: _____

Located on label inside transmission housing

B&S ENGINE MODEL NO: _____ TYPE _____ CODE _____

DATE OF PURCHASE: _____

ISSUED TO:

OWNERS NAME: _____

ADDRESS: _____

TOWN/CITY: _____

STATE: _____

ISSUED BY:

AUTHORISED COX DEALER/
DISTRIBUTOR: _____

ADDRESS: _____

TOWN/CITY: _____

STATE: _____

PRE DELIVERY CHECK LIST

Check parts Assemble Service Instruction

ALWAYS KEEP THIS MANUAL IN A SAFE PLACE.

8804J SAFETY INSTRUCTIONS

- Read, understand, & follow all instructions in the Owner/Operators manual.
- Know the controls and how to stop the engine quickly in an emergency.
- Allow only responsible adults, who are familiar with the instructions in this manual, to operate the machine.
- Clear the area to be mowed of loose objects such as sticks, stones, bones, wire, toys, debris, etc., which could be picked up and thrown by the blades.
- DO NOT mow whilst people, especially children, or pets are in the mowing area.
- DO NOT mow either direction on slopes beyond 15 degrees (1 in 3.75)
- Exercise extreme caution on slopes.
- Reduce speed on slopes and in sharp turns to prevent overturning or loss of control.
- Start or stop slowly when on slopes.
- Mow up and down slopes, not across the slope.
- Stay alert for holes or bumps in the terrain and other hidden hazards.
- Watch out for traffic when crossing or operating the mower near roadways.
- Stop the blades rotating before crossing surfaces other than grass.
- When using the mowing attachment, never direct discharge of material toward bystanders nor allow anyone near the machine while it is in operation.
- Before leaving the operators position-
 - a] Disengage all clutches and secure cutting units;
 - b] Return drive levers to neutral position and set the parking brake;
 - c] Stop the engine and remove the key.
- Disengage drive to attachments and stop engine-
 - a] Before refueling.
 - b] Before checking, cleaning or working on the mower;
 - c] After striking a foreign object (check the mower for damage and make repairs before restarting and operating the equipment);
 - d] If machine starts to vibrate abnormally (check immediately).
- A mower operator should be in good physical and mental health and not under the influence of alcohol or any drug which might impair vision, co-ordination or judgment.
- Never mow while barefoot or wearing open sandals or thongs. Wear long trousers and heavy shoes.
- It is advisable to wear suitable eye protection when operating a mower.
- Mow only in daylight or good artificial light.
- Before using, always visually inspect to see that cutter bars are not loose, worn or damaged. Replace worn or damaged bars.
- Check all nuts, bolts, and screws often; always be sure the mower is in safe operating condition.
- Keep safety devices (guards and switches) in place and in working order.
- Never use the mower unless the guards provided by the manufacturer, are in position.
- Ensure any replacement parts used comply with the original manufacture's recommendations and specifications.
- Replace worn or faulty silencers.
- Keep machine free of grass, leaves or other debris, excessive oil, grease, or spilt fuel. These can be a fire hazard.
- Refuel outdoors only. Do not smoke while re-fueling engine. Never remove the cap of the fuel tank or add petrol while the engine is running or the engine is hot. Remove fuel cap slowly to relieve any tank pressure. If fuel is spilled, do not attempt to start the engine but move machine away from the area of the spill and avoid creating any source of ignition until fuel vapors have dissipated.
- Check for fuel leaks while refueling, before and while using the mower. If a fuel leak is found, do not start or run the engine until the fuel leak is fixed and spilled fuel is wiped away.
- Do not operate engine in a confined space where exhaust fumes (carbon monoxide) can collect.
- Always mount the mower from the front or the opposite side to the discharge chute.
- Start the engine carefully with the cutting means disengaged.
- Do not over-speed the engine or alter governor settings. Excessive speed is dangerous and shortens mower life.
- Stop the engine whenever you leave the mower, even for a moment.
- Store the mower in a well-ventilated room away from naked flames such as may be found in hot water heaters.
- Do not lend or sell the mower, without the owners/operators Manual.

8804J PRE-DELIVERY INSTRUCTIONS

INTRODUCTION:

The purpose of this procedure is to ensure the dealer/distributor has made the necessary installations, adjustments and checks, before the machine is operational. This procedure begins upon receiving the crated mower and is finalised once the mower has been either sold or leaves the dealer/distributors premises. This is the minimum amount of work required, however it should not be limited to only the areas detailed in this procedure.

RESPONSIBILITY:

It is the responsibility of the dealer/distributors to ensure that before a machine is delivered to a customer, it is in perfect operational condition.

PROCEDURE:

CHECK ACCESSORIES SUPPLIED IN SEAT PROTECTION BAG

- Engine owners manual
- Owner/Operator manual
- Tube spanner (AM006C1)
- Tommy bar (AM007)
- Ignition keys (AM015)
- Spark plug spanner (AM295)
- Tommy bar (AM296)
- Clutch Clearance Gauges x 2 (13126)
- Battery caps x 6 Terminal screws & nuts x 2
- Warranty Card
- Pre-delivery Instruction Sheet

Loosen the four seat bolts and remove the plastic bag protection from around seat and Re-tension the four seat bolts.

CHARGING THE BATTERY

Undo the tri wing knobs to remove the battery access cover. Undo the battery clamp tri wing knobs and remove clamp. Place battery on a level table. Remove the tape covering the fill holes in the battery. Fill each cell of the battery until the acid levels are in between the upper and lower levels marked on the battery. (use 1.240-1.260 specific gravity) Using a 12V, 4 or 8amp battery charger, charge the battery for a period of 30 minutes.

After the charge proceed to do the following:

- Check acid levels in all battery cells (top up if necessary).
- Install battery caps. Allow battery to stand for 30 minutes before usage.

Tighten the red battery lead to the positive terminal first and then the black battery lead to the negative terminal.

Place battery in position, make sure battery leads are well clear of the Battery clamp, and fit battery cover. Place both battery clamps over battery and tighten the battery clamp screw and nut.

TYRE PRESSURE

Before operation ensure that all tyre pressures are equal. The maximum pressure allowed is 140 kpa (20 P.S.I.).

ENGINE OIL

Before operation ensure that engine oil level is to the full mark on the dipstick. (Check engine owners manual if oil needs to be added).

FUEL TAP

Ensure the fuel tap at the bottom of the LH side of fuel tank is turned to the on position before attempting to start engine. (Use unleaded fuel only).
Turn off fuel tap after use.

CLUTCH PLATE ADJUSTMENT

The clutch plates on 'Zcut' mowers are factory set and should not require adjustment during the pre-delivery process.

The following sequence is required to be performed for the left hand and right hand drive modules. Ensure the Drive Levers are in the Neutral Position when performing clutch plate adjustments.

Loosen the four square head set screws on the clutch plates using tube spanner (AM006C1) and tommy bar (AM007). Insert the clearance gauges supplied, one between the forward clutch plate and cone and the other between the reverse clutch plate and cone and hook them onto the intershaft. Slide both clutch plates against the clearance gauges and clutch cone, tighten the set screws firmly onto the flat on the intershaft. Remove gauges. Repeat procedure on other side.

MICRO (SAFETY) SWITCHES

Drive lever Safety switches:- With cutter PTO switch disengaged, attempt to start the engine without Placing the drive levers in the Neutral Position. Engine should not start.

Cutter Engagement Switch - While sitting on machine with Drive Levers in the Neutral Position and Cutter PTO Switch engaged, attempt to start machine. Engine should not start.

Parking Brake Switch - With cutter PTO switch disengaged and the drive levers in the Neutral Position, attempt to start the engine without Depressing or setting the Park Brake. Engine should not start.

Seat Switch - While sitting on machine start engine, engage Cutter PTO Switch and lift weight from seat. Engine should cut out.

8804J OPERATING INSTRUCTIONS

IMPORTANT RECOMMENDED FUEL

Unleaded fuel is recommended by all manufacturers of engines fitted to Cox products.

DRIVE PRESSURE

Ensure when applying pressure to the drive levers the wheels start rotating, failure to adhere to this will result in clutch plate and clutch cone damage.

SAFETY MICRO SWITCHES

Before operating machine, ensure that all micro-safety switches are operating correctly. Do not operate machine with faulty, missing or damaged safety micro-switches.

STARTING MACHINE

When starting machine, place Drive levers in the neutral position. Ensure that Cutter PTO Switch is disengaged and the Parking Brake is set, otherwise electric starter motor will not engage. If engine is cold move throttle to a middle position and pull out Choke Knob fully. Release the choke and return throttle lever to desired throttle setting when engine starts. Do not attempt to continue to operate engine with choke on.

(Note electric start engines fitted with recoil can be manually started with Parking Brake set, Cutter PTO disengaged and Ignition On).

BLADE WARNING

Do not use mowing attachment with broken or bent Cutter Bars or damaged or worn bolts and nuts. Damage and premature wear will result from vibration. Recommended Cutter Bar Bolt and nut torque is 36-40Nm. Do not over tighten.

Keep both feet and hands clear at all times of the mowing attachment while attempting to start or operate the machine.

WARNING

DO NOT OPERATE WITHOUT MOWING ATTACHMENT DEFLECTOR FITTED & DOWN.

Safety footwear is recommended when operating machine. Mount and dismount only from the Centre front or of machine. Reference to left or right hand side of machine is determined by sitting in the operating position on the machine.

Ensure machine has Parking brake engaged when attempting to start engine.

Never allow engine revs to exceed more than 3600 RPM.

TO OPERATE

BEFORE STARTING/SWITCHING OFF:

See Engine Maintenance/Instruction Sheet. When stopping engine disengage cutter return throttle to slow position and switch off

TO ENGAGE MOWING ATTACHMENT:

The Mowing Attachment is engaged and dis-engaged by pulling up or depressing the large Red knob (Cutter P.T.O. Switch) on the right hand control panel. Before starting ensure knob is in the dis-engaged position (down). To engage the mowing attachment, bring the engine up to normal operating speed and

lift the engagement knob. For safety it is advisable at all times, other than when mowing, that the mowing attachment be kept in the disengaged position.

TO DRIVE FORWARD/REVERSE:

Power is regulated by the throttle, set throttle control to desired engine power. Press the drive control levers forward for forward movement, Pull the drive control levers back for reverse. The amount of pressure can be used to control the ground speed, especially in heavier conditions.

N.B. Ensure that when pressure is applied to the drive lever wheels start rotating or damage will occur to clutch plates.

MANOEUVRING:

Owing to the forward/reverse action of the drive levers, it is possible to take the machine straight from forward to reverse and vice versa. This instant forward and reverse operation makes the machine very manoeuvrable and the sharpest turns can be negotiated easily and quickly.

TO BRAKE (WITH ENGINE RUNNING):

The drive levers should be used to stop the machine. If travelling forward pull the levers into reverse until machine stops, then bring the levers back to neutral position or vice versa if travelling in reverse. Should a failure occur during operation use the emergency stop brake pedal situated on the left hand side and forward of where your foot would normally rest during normal operation.

TO BRAKE (WITH ENGINE STOPPED):

Use foot brake pedal only.

Damage to clutch/drive cones will occur if drive levers are used to brake the machine with the engine stationary.

PARKING AND TRANSPORTATION BRAKE:

Fully depress the brake/emergency brake pedal protruding out of the front left hand side, lift the parking brake knob fully and release the pedal to engage the parking brake lock.

Depress the pedal and the parking brake lock will dis-engage.

Do not engage parking brake unless the machine has completely stopped.

Do not attempt to drive with park brake engaged damage will occur to brake linings and clutch drives.

CUTTING HEIGHT ADJUSTMENT:

The height adjustment pedal is located on the right hand side of the machine and may be raised to suit varying conditions, while the machine is in motion.

To raise the mowing attachment push the height adjustment pedal forward. To lower the mowing attachment, apply slight forward pressure to the pedal and lift the height adjustment lock knob. Once the knob is lifted, ease the pedal back to achieve the desired height and release the lock knob.

NOTE: When mowing slopes, keep drive levers in forward or reverse, depending on direction of travel. The low gearing will prevent it from picking up excessive speed. If very steep it may be necessary to throttle back slightly and /or, apply light lever pressure to the opposite direction. i.e. move drive levers into reverse when going forward down slope or into forward when reversing down slope.

AVOID HOLDING MACHINE STATIONARY ON SLOPES USING CLUTCH WITH ENGINE RUNNING AS DAMAGE WILL OCCUR TO CLUTCH PLATES.

8804J MAINTENANCE INSTRUCTIONS

It is the owner's responsibility to ensure that all-periodical checks, necessary adjustments and services are carried out.

STOP ENGINE - Never attempt any maintenance with the engine running, remove spark plug lead and ensure the blades have stopped rotating.

Before servicing, disconnect spark plug wire and ground it, disconnect battery at negative terminal, to prevent accidental starting.

OIL CHANGING & FILTER REPLACEMENT (ENGINE): See Engine Maintenance/Instructions Sheet and carry out as per Engine Manufacturers Recommendations.

SERVICING ENGINE AIR CLEANER FOAM PRE-CLEANER— See engine owners manual for correct method to check and service engine air cleaner foam pre-cleaner.

LUBRICATION OF MACHINE: Lubrication of machine must be carried out every 25 hours of operation or once a month, whichever falls first. More frequently when operated under adverse conditions.

A. OILING: A few drops of oil should be placed at the following points: Height adjustment mechanism, pivot bolt and linkages on clutch arms and drive levers.

B. CHAINS: Use only chain lube for lubrication of the drive chains.

1. TO CHECK BLADES: Stop engine. Remove spark plug lead. lift deflector and height adjustment control to highest position and inspect blades for wear. If sharpening or replacement is necessary, remove the cutter attachment for ease of blade access (see to remove mowing attachment section)

2. ENGINE TO CLUTCH VEE BELT ADJUSTMENT: Tension of this belt is automatic and requires no manual adjustment. If loss of drive is experienced because of belt slippage, the belt has worn past it's serviceable limit and should be replaced.

3. ENGINE TO CUTTER VEE BELT ADJUSTMENT: Tension is automatically adjusted, If loss of cutter drive is experienced because of belt slippage, the belt has worn past it's serviceable limit and should be replaced.

4. CLUTCH PLATE ADJUSTMENT: Periodically it will be found necessary to adjust the clutch plates as the clutch cone wears. Carry out this operation, with engine off. Place both drive levers in the neutral/open position, this will centre the clutch arm assembly into the neutral position. Loosen the four square head set screws on the clutch plates using tube spanner (AM006C1) and tommy bar (AM007). Insert the clearance gauges supplied, one between the forward clutch plate and cone and the other between the reverse clutch plate and cone and hook them onto the intershaft. Slide both clutch plates against the clearance gauges and clutch cone, tighten the set screws firmly onto the flat on the intershaft. Remove gauges. Repeat for other side.

5. DRIVE CHAINS: Machines are fitted with chain adjusters and periodic adjustment is necessary. Loosen the chain adjuster bolt head and slide the tensioner toward the centre of the chain loop. Chains should be firm with no natural tendency to sag, use caution not to over-tension chains as premature wear of drive components will result. Replace chains when chains have sagged enough to expose half the depth of the teeth on the bottom of the large sprocket. Failure to replace worn chain will cause premature wear of sprockets.

6. TO REMOVE CUTTING ATTACHMENT: Position cutter attachment on middle height setting. Release cutter belt tensioner spring at rear of mower. Detach rod-ends from front links. Push attachment back and remove belt from pulley. lower cutter attachment down to lowest height setting. Remove bolt from rear link. Remove nyloc nuts from lifting chains. Lifting each side in turn, remove bolts from chain mount brackets. Drag cutting attachment out from either side of mower.

7. TYRE PRESSURE: 140 Kpa (20.P.S.I.) approximately front and rear. Uneven pressure can give an uneven finish when mowing and may cause damage to tyres and/or tubes.

8. BATTERY MAINTENANCE: Maintain electrolyte fluid level just above plates by topping regularly with distilled water. When not in use, a battery discharges by as much as 1% a day, more when the climate is warm. To make up for this loss, a boosting charge should be given once a month. Disconnect battery terminals to charge, then allow to stand minimum 1/2hr before re-connecting (re-check electrolyte level). If a battery is not used for a period of more than three (3) months, the terminals should be disconnected and trickle charged at two (2) amps for two (2) hours once every three (3) months or before use.

9. REPLACE DRIVE CHAIN: Engage park brake, jack up rear of machine, and remove L/H wheel. Loosen chain tensioner, away from chain and using a suitable spanner. Release park brake then turn rear axle to bring chain into a suitable position for removal of the chain connecting link. Remove connecting link and chain. Inspect both sprockets for wear or damage, replace if necessary. Install new chain and connecting link with the link clip between the wheel and chain. Re-tension chain tensioner, engage park brake, install wheel and lower machine.

GENUINE SPARE PARTS: Always use Genuine Cox Factory Made Spare Parts. Use of non-genuine COX spares will void your warranty.

SAFETY FIRST: The use of any mechanical appliance can cause injury if incorrect procedures are used. Please ensure that all family members of intended operators read this manual thoroughly.

TORQUE SETTINGS

1/4" UNC BOLT/NUT	10Nm (84lbf in)
5/16" UNC BOLT/NUT	20Nm (180lbf in)
3/8" UNC BOLT/NUT	36Nm (27lbf ft)
7/16" UNF BOLT	68Nm (50lbf ft)
6mm BOLT/NUT	9Nm (80lbf in)
20mm NUT	100Nm (74lbf ft)
5/8" UNF NUT	100Nm (74lbf ft)

We are proud that you have purchased a Cox product and urge you to follow these instructions to obtain the maximum life for your machine. If in doubt check with your supplier.

8804J MAINTENANCE SCHEDULE

BEFORE EACH USE

Check engine oil level, adjust if required
Check engine air cleaner foam pre-cleaner, service if required
Check engine rotating screen/finger guard, clean if required
Check operation of safety switches, service if required
Check engine air inlet console screen, clean if required
Check foot brake operation, adjust if required.

Check tyre pressures, adjust if required
Check for loose fasteners, tighten if required

Check cutting attachment cutter blades, bolts, nuts, housing and guards for wear or damage, replace if required

BEFORE STORAGE

Change engine oil - Clean machine - Lubricate as per required

EVERY 5 HOURS

Check engine oil level, adjust if required
Check engine air cleaner foam pre-cleaner, service if req.
Check engine rotating screen/finger guard, clean if required
Check operation of safety switches, service if required
Check engine air inlet console screen, clean if required
Check foot brake operation, adjust if required.

Check tyre pressures, adjust if required
Check for loose fasteners, tighten if required
Check cutting attachment cutter blades, bolts, nuts, housing and guards for wear or damage, replace if required

1 MONTH OR 5 HOURS WHICH EVER OCCURS FIRST

Change engine oil
Check engine air cleaner foam pre-cleaner, service if required
Check engine rotating screen/finger guard, clean if required
Check engine air inlet console screen, clean if required
Check foot brake operation, adjust if required
Check operation of safety switches, service if required
Check tyre pressures, adjust if required
Check mowing attachment cutter blades, bolts, nuts, housing, and guards for damage, replace if required

Check drive lever and clutch linkages for smooth action, adjust if required
Check for loose fasteners, tighten if required

DATE / / HOURS.....DEALER.....

3 MONTH OR 25 HOURS WHICH EVER OCCURS FIRST

Change engine oil if operating under heavy load or high ambient temperature
Check engine air cleaner foam pre-cleaner, service if required *
Check engine rotating screen/finger guard, clean if required *
Check engine air inlet console screen, clean if required *
Check foot brake operation, adjust if required
Check operation of safety switches and replace if required
Check tyre pressures, adjust if required
Check mowing attachment cutter blades, bolts, nuts, housing

and guards for wear or damage, replace if required
Check and adjust engine to clutch vee belt if required.
Check battery condition, service if required
Check for loose fasteners, tighten if required

*Service more often under dusty conditions, or where air borne debris is present

DATE / / HOURS.....CUSTOMER.....

6 MONTH OR 50 HOURS WHICH EVER OCCURS FIRST

Change engine oil if operating under heavy load or high ambient temperature
Check engine air cleaner foam pre-cleaner, service if required *
Check engine rotating screen/finger guard, clean if required *
Check engine air inlet console screen, clean if required *
Check foot brake operation, adjust if required
Check operation of safety switches and replace if required
Check tyre pressures, adjust if required
Check mowing attachment cutter blades, bolts, nuts, disc/s, housing, and guards for wear or damage, replace if required

Check for loose fasteners, tighten if required
Check battery condition, service if required

*Service more often under dusty conditions, or where air borne debris is present

DATE / / HOURS.....DEALER.....

9 MONTHS OR 75 HOURS WHICH EVER OCCURS FIRST

Change engine oil if operating under heavy load or high ambient temperature
Check engine air cleaner foam pre-cleaner, service if required *
Check engine rotating screen/finger guard, clean if required *
Check engine air inlet console screen, clean if required *
Check foot brake operation, adjust if required
Check operation of safety switches and replace if required
Check tyre pressures, adjust if required
Check mowing attachment cutter blades, bolts, nuts, housing and guards for wear or damage, replace if required

Check for loose fasteners, tighten if required
Check battery condition, service if required
Check drive lever and clutch linkages for smooth action, adjust if required

*Service more often under dusty conditions, or where air borne debris is present

DATE / / HOURS.....CUSTOMER/DEALER.....

12 MONTHS OR 100 HOURS WHICH EVER OCCURS FIRST

Change engine oil filter
Change engine oil
Check engine spark plug, clean, adjust, or replace if required
If fitted clean engine exhaust spark arrester
Check engine air cleaner foam pre-cleaner, service if required *
Check engine air cleaner cartridge, service if required*
Clean engine cooling system*
Replace in-line fuel filter
Check foot brake operation and lining for wear, adjust or replace if required
Check for loose fasteners, tighten if required
Check operation of safety switches, service if required
Check tyre pressures, adjust if required
Check drive chains and sprockets for wear, replace if required
Check mowing attachment cutter blades, bolts, nuts, housing and

guards for wear or damage, replace if required
Check drive lever and clutch linkages for smooth action, adjust if required
Re-tension rear wheel retaining nut/s
Check battery condition, service if required
Check drive clutch plates and cone for wear or damage, adjust or service if required
Check belts for wear or damage, replace if required

*Service more often under dusty conditions, or where air borne debris is present

DATE / / HOURS.....DEALER.....

15 MONTHS OR 125 HOURS WHICH EVER OCCURS FIRST

Change engine oil if operating under heavy load or high ambient temperature
Check engine air cleaner foam pre-cleaner, service if required *
Check engine rotating screen/finger guard, clean if required *
Check operation of safety switches and replace if required
Check foot brake operation, adjust if required
Check tyre pressures, adjust if required
Check battery condition, service if required
Check mowing attachment cutter blades, bolts, nuts, housing and

guards for wear or damage, replace if required
Check for loose fasteners, tighten if required
Check clutch to cutter vee belt
Check engine to clutch vee belt

*Service more often under dusty conditions, or where air borne debris is present

DATE / / HOURS.....CUSTOMER/DEALER.....

18 MONTHS OR 150 HOURS WHICH EVER OCCURS FIRST

Change engine oil
If fitted clean engine exhaust spark arrester
Check engine air cleaner foam pre-cleaner, service if required *
Check engine rotating screen/finger guard, clean if required *
Check engine air inlet console screen, clean if required *
Check foot brake operation and lining for wear, adjust or replace if required
Check operation of safety switches, service if required
Check tyre pressures, adjust if required
Check mowing attachment cutter blades, bolts, nuts, housing and guards for wear or damage, replace if required
Check belts for wear or damage, replace if required
Check drive chain and sprockets for wear, replace if required
Check drive clutch plates and cone for wear or damage, adjust or service if required
Check battery condition, service if required

Check drive lever and clutch linkages for smooth action, adjust if required
Check for loose fasteners, tighten if required

*Service more often under dusty conditions, or where air borne debris is present

DATE / / HOURS.....DEALER.....

21 MONTHS OR 175 HOURS WHICH EVER OCCURS FIRST

- Change engine oil if operating under heavy load or high ambient temperature
- Check engine air cleaner foam pre-cleaner, service if required *
- Check engine rotating screen/finger guard, clean if required *
- Check foot brake operation, adjust if required
- Check operation of safety switches and replace if required
- Check tire pressures, adjust if required
- Check mowing attachment cutter blades, bolts, nuts, housing and guards for wear or damage, replace if required
- Check battery condition, service if required
- Check for loose fasteners, tighten if required

*Service more often under dusty conditions, or where air borne debris is present

DATE / / HOURS.....CUSTOMER/DEALER.....

24 MONTHS OR 200 HOURS WHICH EVER OCCURS FIRST

- Replace engine oil filter
- Change engine oil
- Check engine spark plug, clean, adjust, or replace if required
- If fitted clean engine exhaust spark arrestor
- Check engine air cleaner foam pre-cleaner, service if required *
- Check engine air cleaner cartridge, service if required
- Clean engine cooling system*
- Check foot brake operation and lining for wear, adjust or replace if required
- Check operation of safety switches, service if required
- Check tire pressures, adjust if required
- Check mowing attachment cutter blades, bolts, nuts, housing and guards for wear or damage, replace if required
- Check belts for wear or damage, replace if required
- Check drive chains and sprockets for wear, replace if required
- Check drive clutch plates and cone for wear or damage, adjust or service if required
- Check drive lever and clutch linkages for smooth action, adjust if required
- Check battery condition, service if required
- Check for loose fasteners, tighten if required

*Service more often under dusty conditions, or where air borne debris is present

DATE / / HOURS.....DEALER.....

27 MONTHS OR 225 HOURS WHICH EVER OCCURS FIRST

- Change engine oil if operating under heavy load or high ambient temperature
- Check engine air cleaner foam pre-cleaner, service if required *
- Check engine rotating screen/finger guard, clean if required *
- Check foot brake operation, adjust if required
- Check operation of safety switches and replace if required
- Check tire pressures, adjust if required
- Check mowing attachment cutter blades, bolts, nuts, housing and guards for wear or damage, replace if required
- Check battery condition, service if required
- Check for loose fasteners, tighten if required

*Service more often under dusty conditions, or where air borne debris is present

DATE / / HOURS.....CUSTOMER/DEALER.....

30 MONTHS OR 250 HOURS WHICH EVER OCCURS FIRST

- Change engine oil
- If fitted clean engine exhaust spark arrestor
- Check engine air cleaner foam pre-cleaner, service if required *
- Check engine rotating screen/finger guard, clean if required *
- Check foot brake operation and lining for wear, adjust or replace if required
- Check operation of safety switches, service if required
- Check tire pressures, adjust if required
- Check mowing attachment cutter blades, bolts, nuts, housing and guards for wear or damage, replace if required
- Check belts for wear or damage, replace if required
- Check drive chains and sprockets for wear, replace if required
- Check drive clutch plates and cone for wear or damage, adjust or service if required
- Check drive lever and clutch linkages for smooth action, adjust if required
- Check battery condition, service if required
- Check for loose fasteners, tighten if required

*Service more often under dusty conditions, or where air borne debris is present

DATE / / HOURS.....DEALER.....

33 MONTHS OR 275 HOURS WHICH EVER OCCURS FIRST

- | | |
|---|--|
| Change engine oil if operating under heavy load or high ambient temperature | Check mowing attachment cutter blades, bolts, nuts, housing and guards for wear or damage, replace if required |
| Check engine air cleaner foam pre-cleaner, service if required * | Check battery condition, service if required |
| Check engine rotating screen/finger guard, clean if required * | Check for loose fasteners, tighten if required |
| Check foot brake operation, adjust if required | |
| Check operation of safety switches and replace if required | |
| Check tire pressures, adjust if required | |

*Service more often under dusty conditions, or where air borne debris is present

DATE / / HOURS.....CUSTOMER/DEALER.....

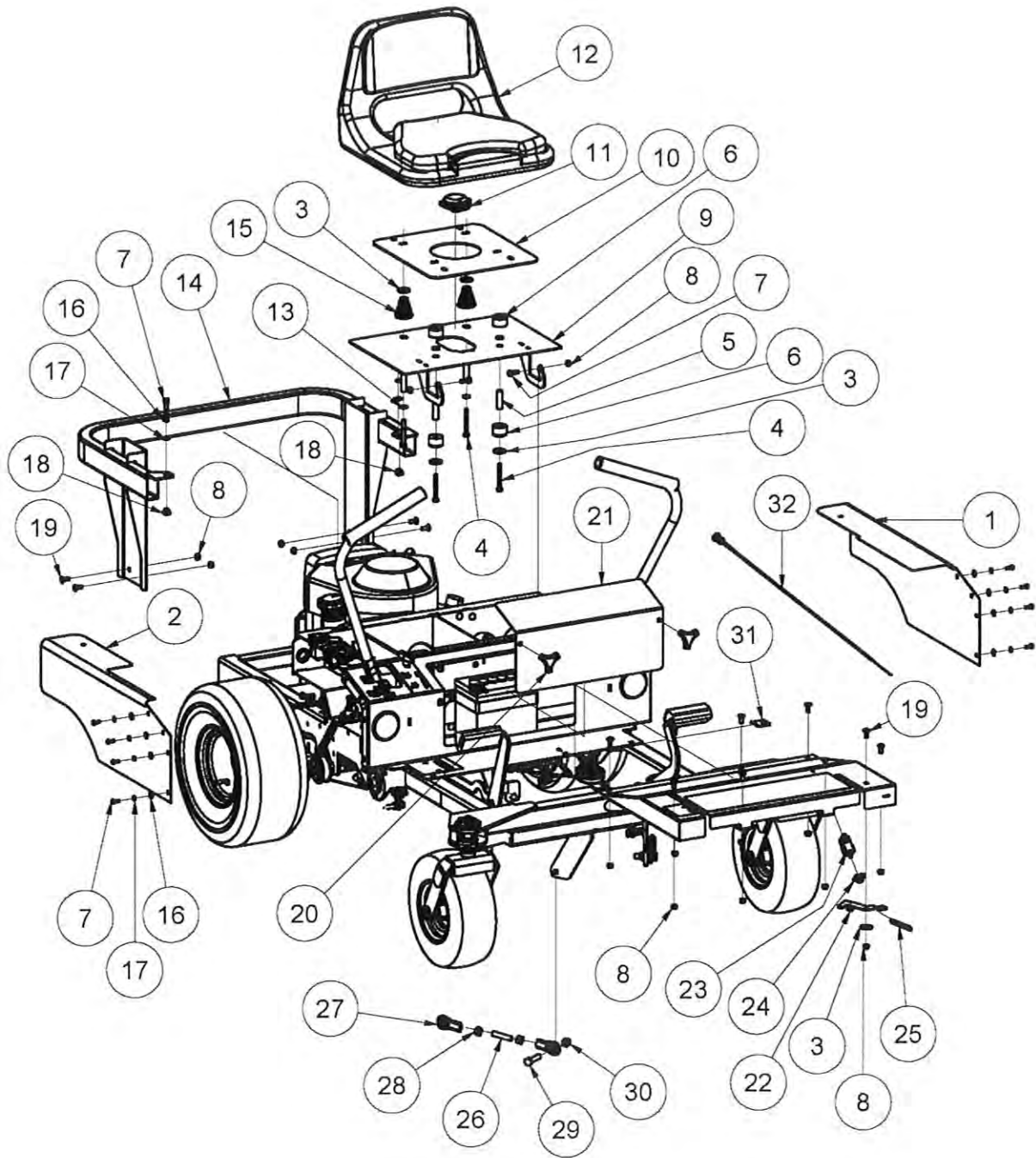
36 MONTHS OR 300 HOURS WHICH EVER OCCURS FIRST

- | | |
|--|--|
| Replace engine oil filter | Check belts for wear or damage, replace if required |
| Change engine oil | Check drive chains and sprockets for wear, replace if required |
| Check engine spark plug, clean, adjust, or replace if required | Check drive clutch plates and cone for wear or damage, adjust or service if required |
| If fitted clean engine exhaust spark arrestor | Check drive lever and clutch linkages for smooth action, adjust if required |
| Check engine air cleaner foam pre-cleaner, service if required * | Check battery condition, service if required |
| Check engine air cleaner cartridge, service if required | Check for loose fasteners, tighten if required |
| Clean engine cooling system* | |
| Check foot brake operation and lining for wear, adjust or replace if required | |
| Check operation of safety switches, service if required | |
| Check tire pressures, adjust if required | |
| Check steering chain and sprockets for wear, adjust if required | |
| Check mowing attachment cutter blades, bolts, nuts, housing and guards for wear or damage, replace if required | |

*Service more often under dusty conditions, or where air borne debris is present

DATE / / HOURS.....DEALER.....

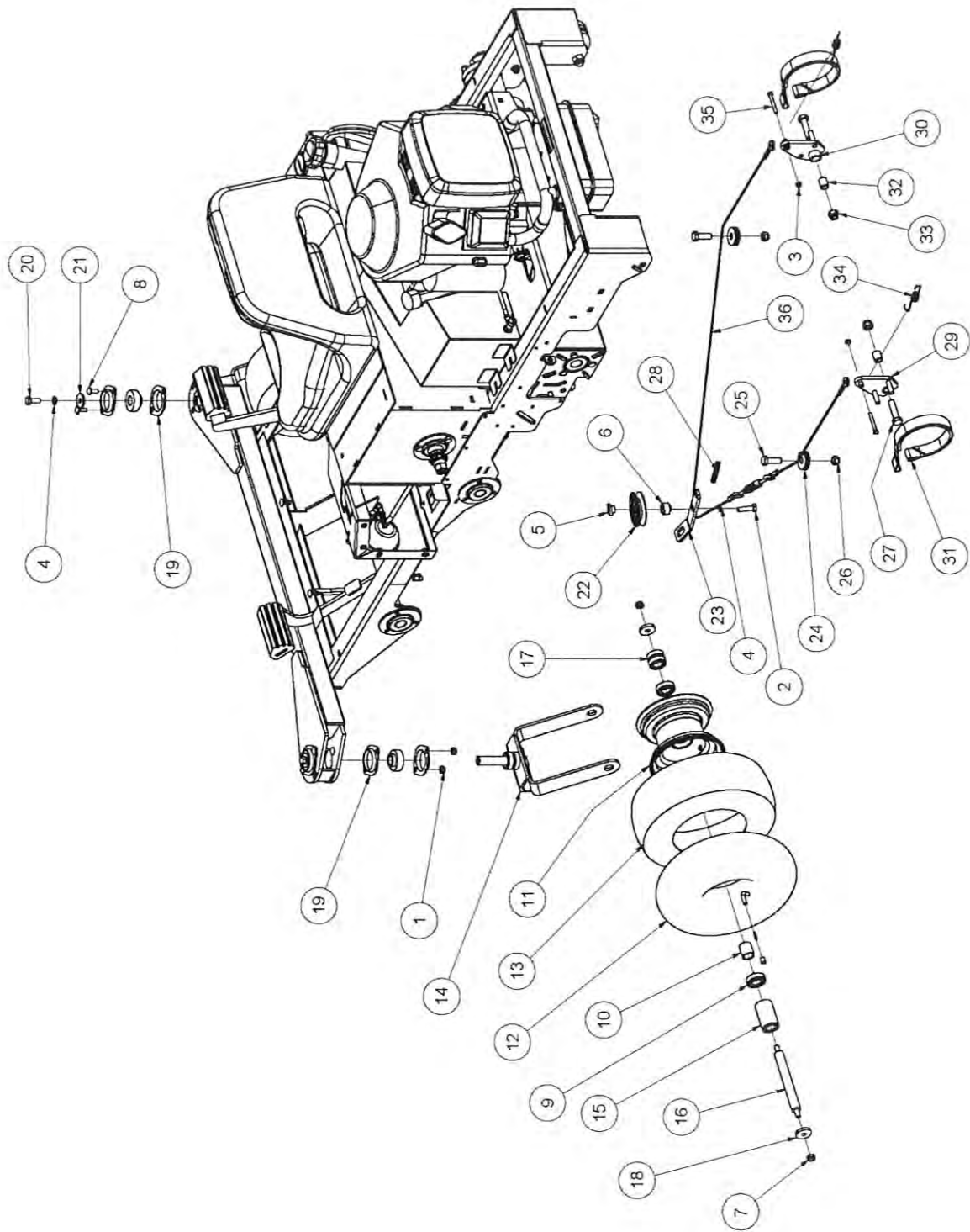
MODEL 8804J: BODY PANELS



MODEL 8804J: BODY PANELS

ITEM	PART NUMBER	DESCRIPTION	QTY
1	88001	Panel, Cover, Side, Left, Red	1
2	88002	Panel, Cover, Side,Right,Red	1
3	W052003	Washer	5
4	B0544C	Bolt	4
5	DP06	Sleeve, Spacer	4
6	13073	Bush, Clamp, Seat	4
7	SH0820M	Screw	12
8	NM8NT	Nut	14
9	88005	Panel, Transmission, Cover, Red	1
10	AM368	Stiffener Plate, Seat Mount, Black	1
11	SSL	Seat Switch	1
12	13376	Seat, High Back	1
13	W05M202	Washer	2
14	88075	Rail, Impact, Rear, Black	1
15	13060	Spring, Compression, Conical, Seat	2
16	WS050216	Washer, Lock, Spring	8
17	W051218	Washer	10
18	NCM8X4.75	Cage Nut	2
19	BCHSNM8X20	Bolt	12
20	15016	Knob, Tri	2
21	88003	Panel, Cover, Battery Access, Bare	1
22	88032	Bracket, Park Brake, Red	1
23	SP2PNONCSM	Switch, 2 Pole, Nor Open Nor Closed, Snap Mount	1
24	CSP2PSM	Cap, Switch, 2 Pole, Snap Mount	1
25	AM288	Spring, Extension, Park	1
26	88092	Link, Drag, Cutter, Front	2
27	RE12INT	End, Rod	4
28	N08F	Nut	4
29	B0832C	Bolt	4
30	N08CN	Nut	4
31	88109	Clamp Plate, Park Brake Cable, Red	1
32	88099	Cable, Park Brake	1

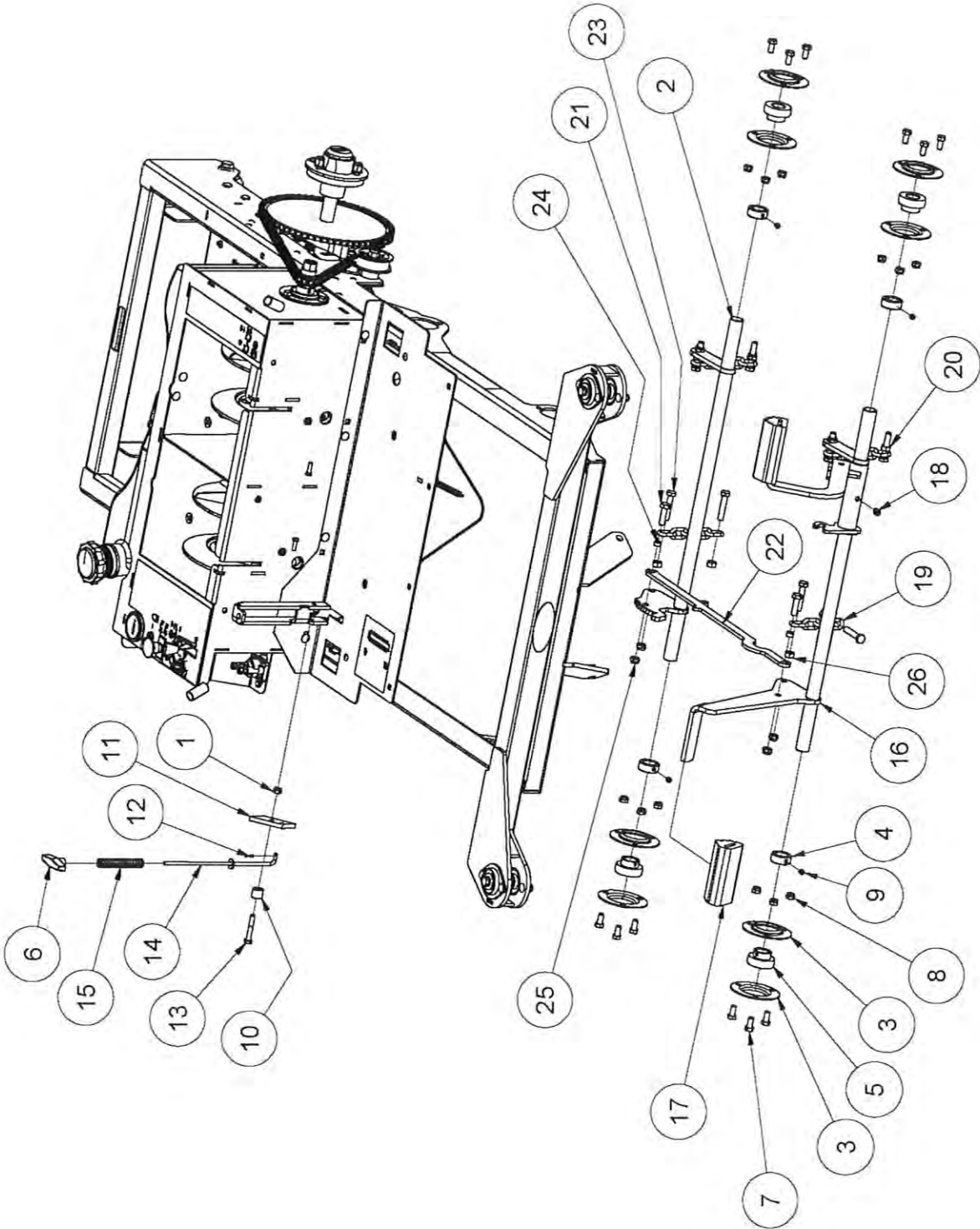
PARTS LIST: BRAKE SYSTEM & FRONT CASTOR



PARTS LIST: BRAKE SYSTEM & FRONT CASTOR

ITEM	PART NUMBER	DESCRIPTION	QTY
1	NM8NT	Nut	8
2	B1035M	Bolt	1
3	NM6NT	Nut	2
4	WS061102	Washer,Lock,Spring	3
5	84014	Boss,Idler,16 Dia	1
6	88045	Boss,Idler,17dia	1
7	NM10NT	Nut	4
8	BCHSNM8X20	Bolt	8
9	BB204212N	Bearing,Ball	4
10	AM021	Sleeve,Spacer,Bearing	2
11	13009	Rim	2
12	STU500x6	Tube	2
13	TT500X6	Tyre & Tube	2
14	88067	Castor Frame,Swivel,Front	2
15	88068	Spacer,Sleeve	2
16	88100	Axle,Wheel	2
17	88101	Spacer,Sleeve	2
18	W103506	Washer	4
19	88007	Pressed Flange With 20MM Bearing	8
20	SH1025M	Screw	2
21	W103506	Washer	2
22	PIVBB17SPA71	Idler,V-Belt,Brg,Sealed	1
23	88086	Bracket,Tensioner,Drive Chain.	1
24	88030	Nylon Roller,Brake Cable	2
25	B1235M	Bolt	2
26	N12MN	Screw	2
27	B0832C	Bolt	2
28	AM288	Spring,Extension	2
29	88035	Lever,Brake,L/Hand,Red	1
30	88044	Lever,Brake,R/Hand,Red	1
31	13023	Brake,Ext Drum Type	2
32	13025	Bush,Nylon	2
33	N08CN	Nut	2
34	AM183	Spring,Extension	2
35	B0650M	Bolt	2
36	88004	Brake,Cable	1

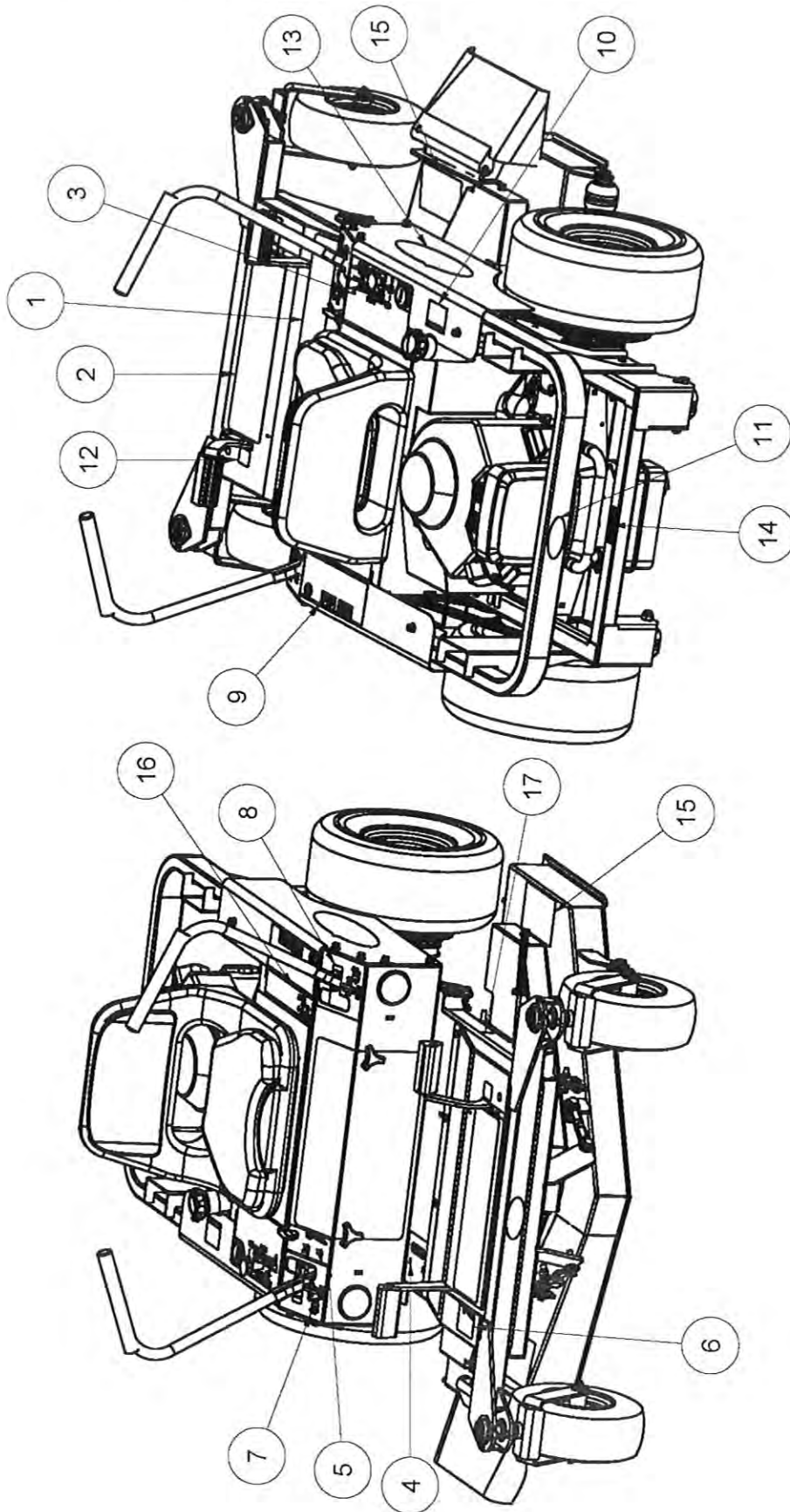
PARTS LIST: CUTTER HEIGHT ADJUSTMENT COMPONENTS



PARTS LIST: CUTTER HEIGHT ADJUSTMENT COMPONENTS

ITEM	PART NUMBER	DESCRIPTION	QTY
1	NM8NT	Nut,Hex,Nyloc,Thin	1
2	88031	Pivot,Shaft,Height Adjust	1
3	AM024	Flangette	8
4	AM025	Lock Collar	4
5	BB25SAN	Bearing Neoprene	4
6	88038	Handle,Tee,Black Plastic	1
7	SH0616C	Screw,Set,Hex	12
8	NF06CN	Nut,Hex,Nyloc,Thick	12
9	GS0505C	Screw,Set,Hex Soc	4
10	88056	Bush,Spacer,Height Adjust	1
11	AM011	Height Adjuster Pawl	1
12	CP2-512	Pin,Split,Steel	1
13	B0850M	Bolt,Hex	1
14	KIT88063	Rod,Pawl,Height Adjust incl 88038 Tee Handle	1
15	AM012	Spring,Compression,Pawl Push Rod.	1
16	88042	Height Adjust Pedal Arm	1
17	13028	Pad,Pedal	2
18	GNTF5	Nipple,Grease,Straight	1
19	88525	Chain,Lift,Cutter Deck,4 Link	1
20	88505	Chain,Lift,Cutter Deck,5 Link	3
21	SH1035M	Screw,Hex	2
22	88034	Linkage,Arm To Arm,Height Adjust	1
23	B1050M	Bolt,Hex	8
24	AM249	Con Rod Bush	2
25	NM10NT	Nut,Hex,Nyloc,Thin	10
26	N10M	Nut,Hex	8

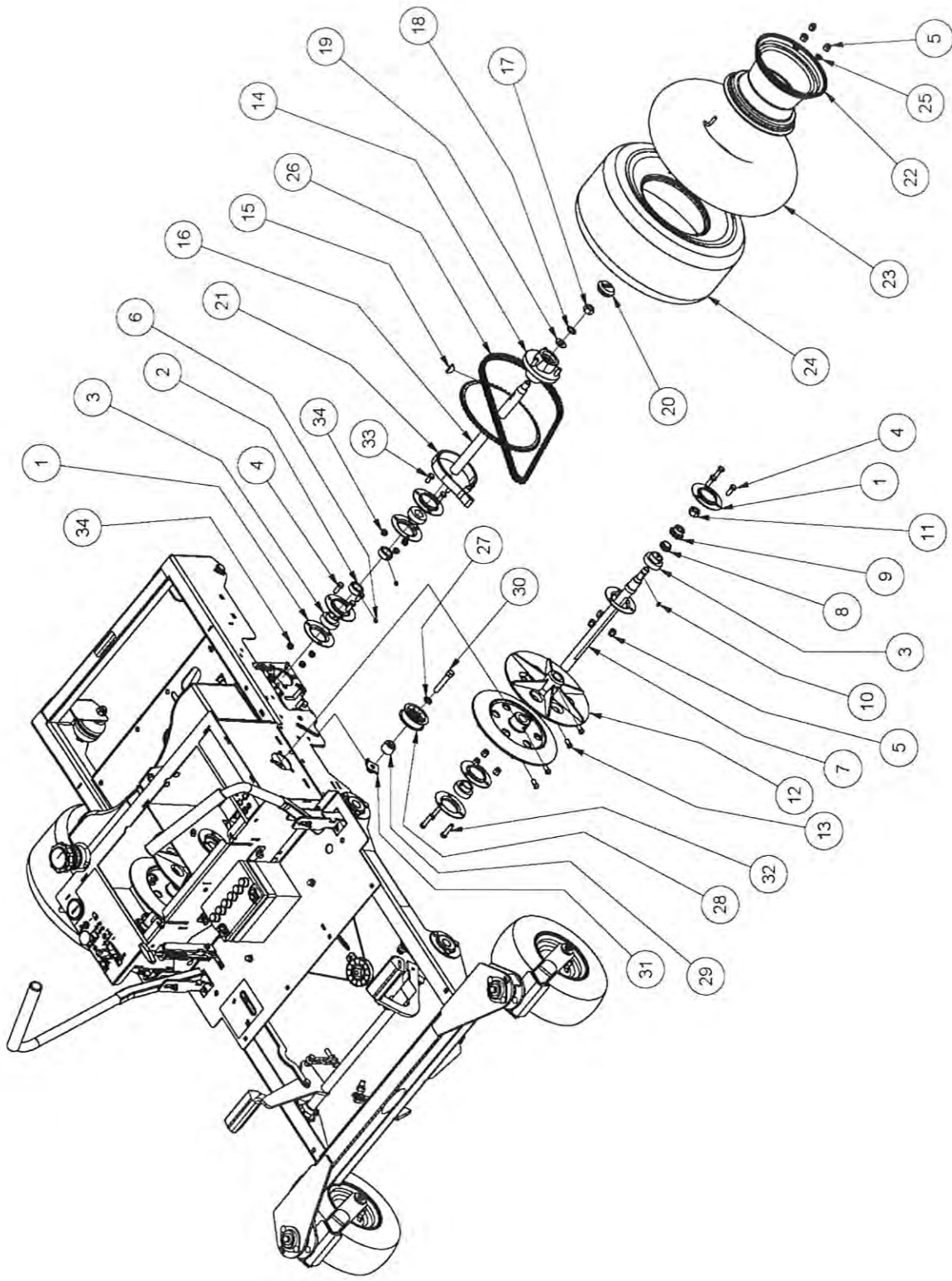
PARTS LIST: DECALS



PARTS LIST: DECALS

ITEM	PART NUMBER	DESCRIPTION	QTY
1	88104	Matt,Non Slip,Footrest,640 X 170,Black	1
2	88105	Matt,Non Slip,Access,440 X 140,Black	1
3	DEC160	Decal,Control,Z Cut	1
4	DEC162	Decal,Height Indicate,Z Cut	1
5	DEC163	Decal,Height Lock,Z Cut	1
6	DEC166	Decal,Height Adjust,Z Cut	1
7	DEC167	Decal,Travel,Right,Z Cut	1
8	DEC168	Decal,Travel,Left,Z Cut	1
9	DEC161	Decal,Safety,Z Cut	1
10	DEC085	Decal,Warning,Gasoline	1
11	DEC174	Decal,Cox Oval,Logo	2
12	DEC124	Decal,Brake	1
13	DEC158	Decal,Logo,Z Cut	2
14	DEC135	Decal,Caution,Hot Muffler	1
15	DEC116	Decal,Danger,Mowing Attachment	2
16	DEC165	Decal,Park Brake,Z Cut	1
17	DEC159	Decal,18/48,Z Cut	2

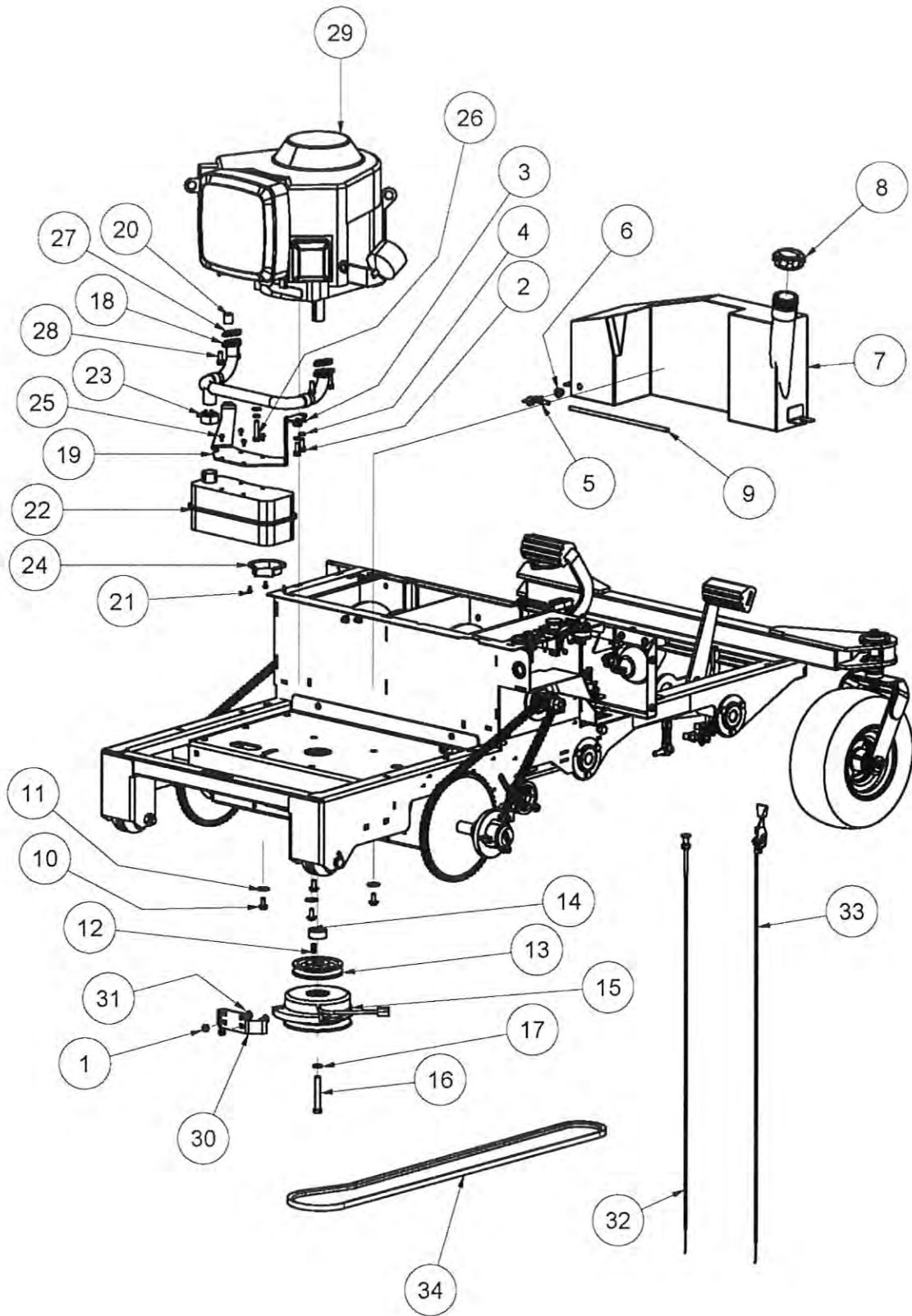
PARTS LIST: DRIVE COMPONENTS



PARTS LIST: DRIVE COMPONENTS

ITEM	PART NUMBER	DESCRIPTION	QTY
1	AM024	Flangette	16
2	AM025	Lock Collar	4
3	BB25SAN	Bearing	6
4	SH0616C	Screw	13
5	NF06CN	Nut	18
6	GS0505C	Screw	4
7	AM363	Shaft,Mounting,Clutch Plate	2
8	AM364	Sleeve,Spacer,Shaft	2
9	231902	Intershaft Sprocket	2
10	SK03	Key	2
11	N10FT	Nut	2
12	AM197	Clutch Plate	4
13	SS0612W	Screw,Set,Square Hd	8
14	13082	Adaptor Wheel To Shaft	2
15	K18	Key	2
16	88019	Shaft,Drive/Brake Assy	2
17	N10F	Nut	2
18	W10S	Washer,Lock,Int Tooth	2
19	W102015	Washer	2
20	AM07099C	Cap,Hub	2
21	13023	Brake,Ext Drum Type	2
22	AM305	Rim	2
23	TT850X8	Tube	2
24	STU850X8	Tyre & Tube	2
25	W061216	Washer	6
26	88021	Chain,Drive Incl Joiner	2
27	WS081208	Washer,Spring	2
28	PIFB126598A	Idler,Flat,Flg,Brg,Sealed	2
29	88060	Boss,Idler,12dia	2
30	B1265M	Screw	2
31	88061	Bracket,Tensioner,Drive Chain	2
32	B0624C	Bolt	3
33	B0620C	Bolt	5
34	N06CN	Nut	12

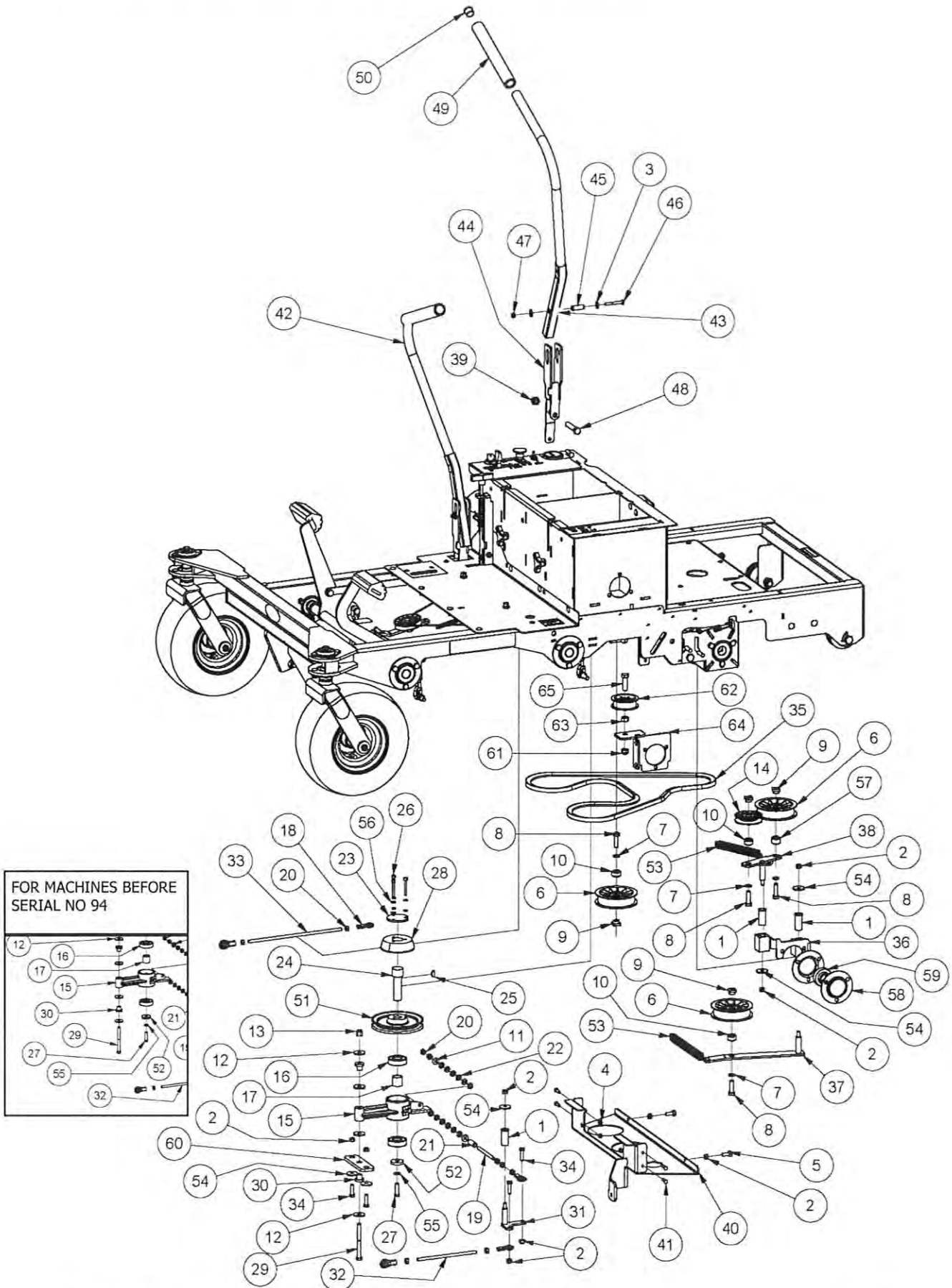
PARTS LIST: ENGINE COMPONENTS



PARTS LIST: ENGINE COMPONENTS

ITEM	PART NUMBER	DESCRIPTION	QTY
1	NM8NT	Nut	2
2	SH0820M	Screw	2
3	W051218	Washer	3
4	WS050216	Washer, Lock, Spring	3
5	AM293	Petrol Tap	1
6	AM294	Grommet, Fuel Tap	1
7	88016	Tank, Fuel, Aluminium, Black	1
8	CF01	Cap, Fuel, Vented, Buttress	1
9	88108	Fuel Line	1
10	STF0619	Screw, Hex Wash, Taptite	4
11	W06S	Washer, Lock, Int Tooth	4
12	88026	Key, Engine Pulley	1
13	88025	Pulley, Drive, Engine Shaft	1
14	88064	Spacer, Engine Pulley	1
15	88074	Clutch/Brake, Electromagnet	1
16	B0748F	Bolt	1
17	WS071006	Washer, Lock, Spring	1
18	15138	Exhaust Manifold 18.0hp	1
19	15139	Bracket, Muffler, 18.0 B&S	1
20	15140	Spacer	1
21	ST0806	Screw, Hex, Wash, Tapping	3
22	15141	Muffler, Exhaust, 18.0 B&S	1
23	15184	Clamp, Muffler, B&S	1
24	15187	Deflector, Muffler, B&S	1
25	B0408TFS	Screw, Hex Wash, Taptite	4
26	B0840M	Bolt, Hex	1
27	GASKET 18HP B&S	Gasket 18hp B&S	2
28	GASKET SCREW 18HP B&S	Screw, Hex	4
29	E18.0I2VEB	Engine, 18.0hp, V2 Cyl, Elect / Man, B&S, Pump	1
30	88080	Bracket, Clutch Anti-Rotation, Red	1
31	BCHSNM8X20	Bolt, Cup, Sq Neck	2
32	88106	Choke Cable	1
33	88107	Throttle Cable	1
34	V38	Belt	1

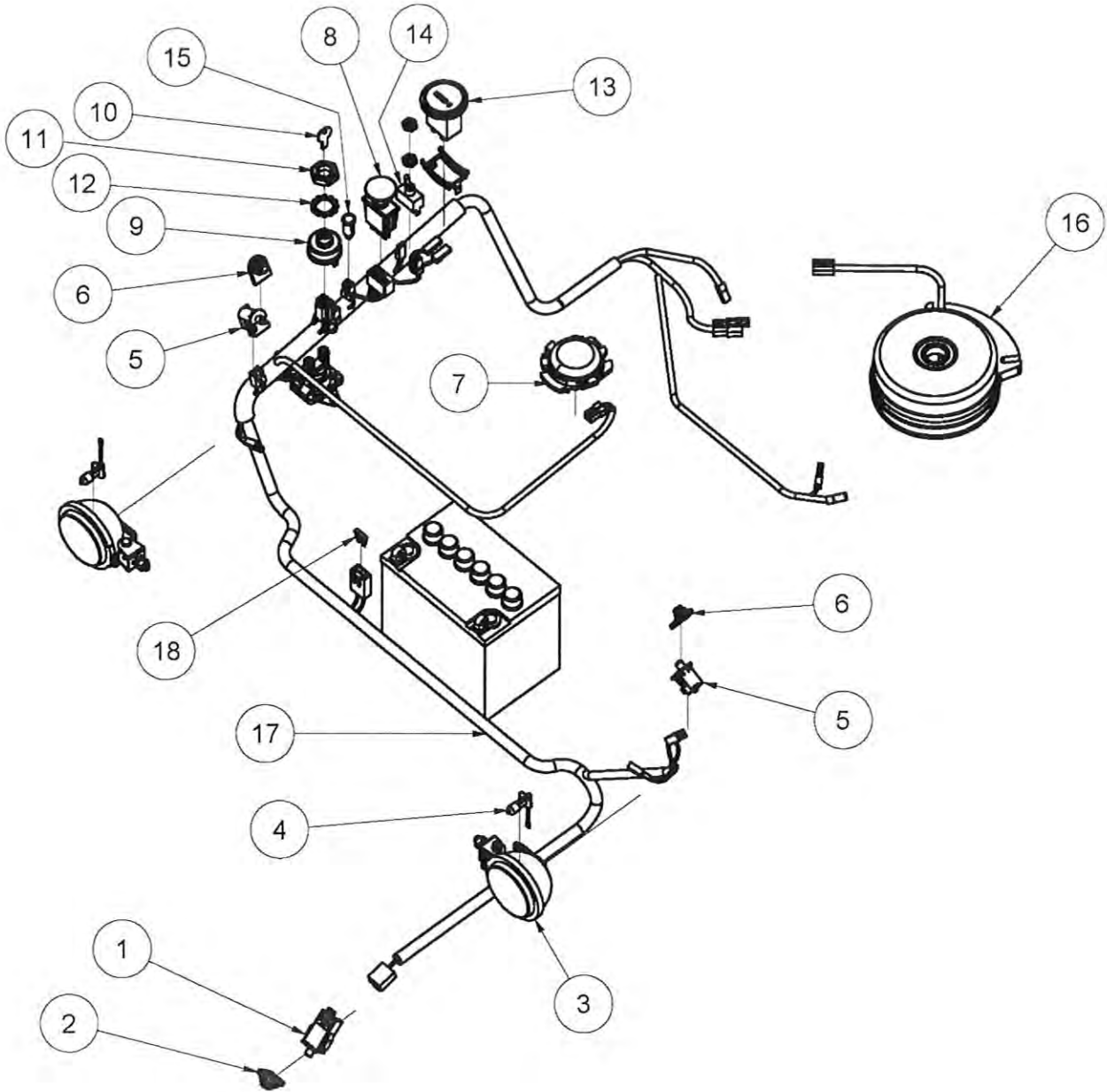
PARTS LIST: DIRECTION CONTROL COMPONENTS



PARTS LIST: DIRECTION CONTROL COMPONENTS

ITEM	PART NUMBER	DESCRIPTION	QTY
1	AM017C1	Steering Shaft Bush With Collar.	4
2	NM8NT	Nut	8
3	W041216	Washer,Flat	4
4	NM6NT	Nut,Hex,Nyloc,Thin,M6,Pc6,Zn,No Unilock	4
5	SH0820M	Screw	2
6	PIFBB02	Idler,Flat,Flg,Brg,Sealed	4
7	WS061102	Washer,Lock,Spring	5
8	SH1035M	Screw	5
9	84014	Boss,Idler	5
10	88045	Boss,Idler	5
11	W051218	Washer,Flat	6
12	W0620HD	Washer,Flat	8
13	NF06CN	Nut	4
14	PIVBB17SPA71	Idler,V-Belt,Brg,Sealed	1
15	88008	Housing,Bearing,Clutch Cone	2
16	BB205215N	Bearing	4
17	AM072	Sleeve,Spacer,Bearing	2
18	RE516INT	End,Rod,Stamp	6
19	88047	Link,Rod,Drive	2
20	N05F	Nut	14
21	88046	Bush,Spacer,Drive Linkage	2
22	WSCM8160.9	Washer,Spring,Conical	24
23	90082	Retention Washer,3 Holes,Clutch Cone	2
24	88098	Shaft,Drive,	2
25	SK09	Key	2
26	CHSBM6X50	Bolt	6
27	SH0620F	Screw	2
28	CC2095NE	Clutch Cone	2
29	B0664C	Bolt	2
30	90081	Rubber Bush	4
31	88048	Link,Drive	2
32	88052	Link,Drive,L/Hand	1
33	88053	Link,Drive,R/Hand	1
34	B0830M	Bolt	4
35	V28	Belt	1
36	88076	Bracket,Tensioner Mount	1
37	88515	Bracket,Tensioner,Clutch/Cutter	1
38	88028	Bracket,Pivot,Drive Tensioner	1
39	N08CN	Nut	2
40	88010	Panel,Cover/Drive Support,Red	1
41	SH0620M	Screw	4
42	88037	Handle,Tube,R/Hand	1
43	88015	Handle,Tube,L/Hand	1
44	88020	Bracket, Handle Pivot	2
45	DP065	Pin,Roll,Spring	2
46	B0432C	Bolt	2
47	N04CN	Nut	2
48	B0840C	Bolt	2
49	88102	Grip	2
50	CAPINTERNAL4	Cap	2
51	88103	Pulley,Drive,Clutch Cone	2
52	W103506	Washer,Flat	2
53	AM040	Spring,Extension	2
54	W052003	Washer,Flat	4
55	WS06081.5	Washer,Lock,Spring	2
56	WSCM612.50.7	Washer,Spring,Conical	12
57	88113	Boss,Idler	1
58	AM024	Flangette	2
59	BB25SAN	Bearing	1
60	88119	Plate,Adjust,Clutch,Red Fitted to all Z Cuts from serial no 94	1
61	N12MN	Screw Fitted to all Z Cuts from serial no 94	1
62	PIFB126598A	Idler,Flat,Flg,Brg,Sealed Fitted to all Z Cuts from serial no 94	1
63	N12M	Nut Fitted to all Z Cuts from serial no 94	1
64	88018	Brkt,Spring Mount/Belt Idler Fitted to all Z Cuts from serial no 94	1
65	B1240M	Bolt Fitted to all Z Cuts from serial no 94	1

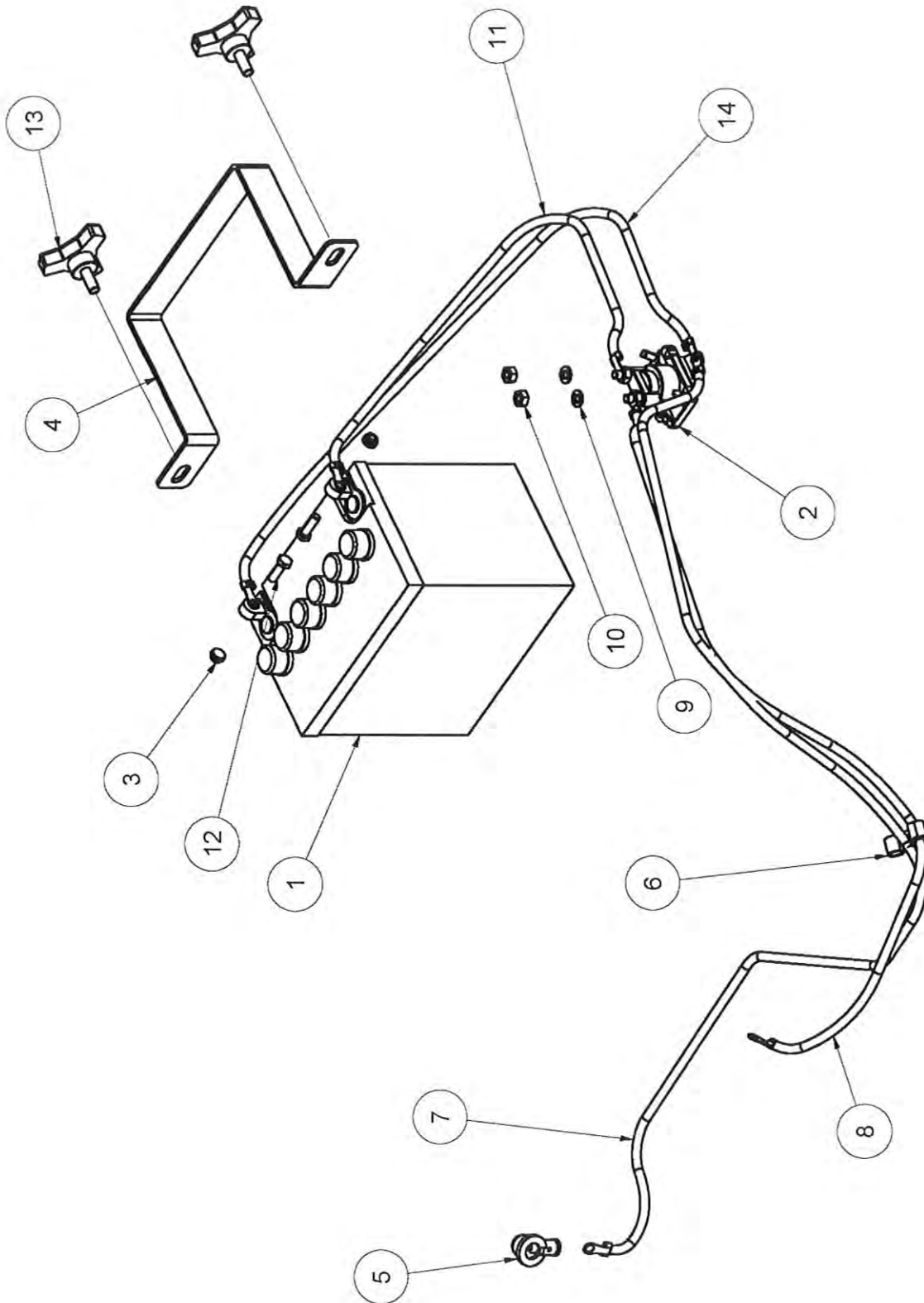
PARTS LIST: WIRING HARNESS COMPONENTS



PARTS LIST: WIRING HARNESS COMPONENTS

ITEM	PART NUMBER	DESCRIPTION	QTY
1	SP2PNONCSM	Switch,Plunger,2 Pole,No&Nc,Snap Mtg	1
2	CSP2PSM	Cover,Plunger,2 Pole,Snap Mtg	1
3	15109	Headlamp	2
4	15132	Globe	2
5	SP1PNOSM	Switch,Plunger,1 Pole,No,Snap Mount.	2
6	CSP1PSM	Cover,Plunger,1 Pole,Snap Mtg	2
7	SSL	Switch,Seat,Lockin.	1
8	14124	Switch,Pto,Incl Back Plate / Connectors	1
9	13125	Switch,Key,3 Position,Magneto,6 Term incl Nut & Washer	1
10	AM015	Ignition Key.	1
13	AM211	Hour Meter (Hobbs)	1
14	AM229	Light Switch Incl Wire.	1
15	AM289	Oil Pressure Light	1
16	88074	Clutch/Brake,Electromagnet	1
17	88094	Wiring Harness	1
18		Blade Fuse 15amp (BLUE)	1

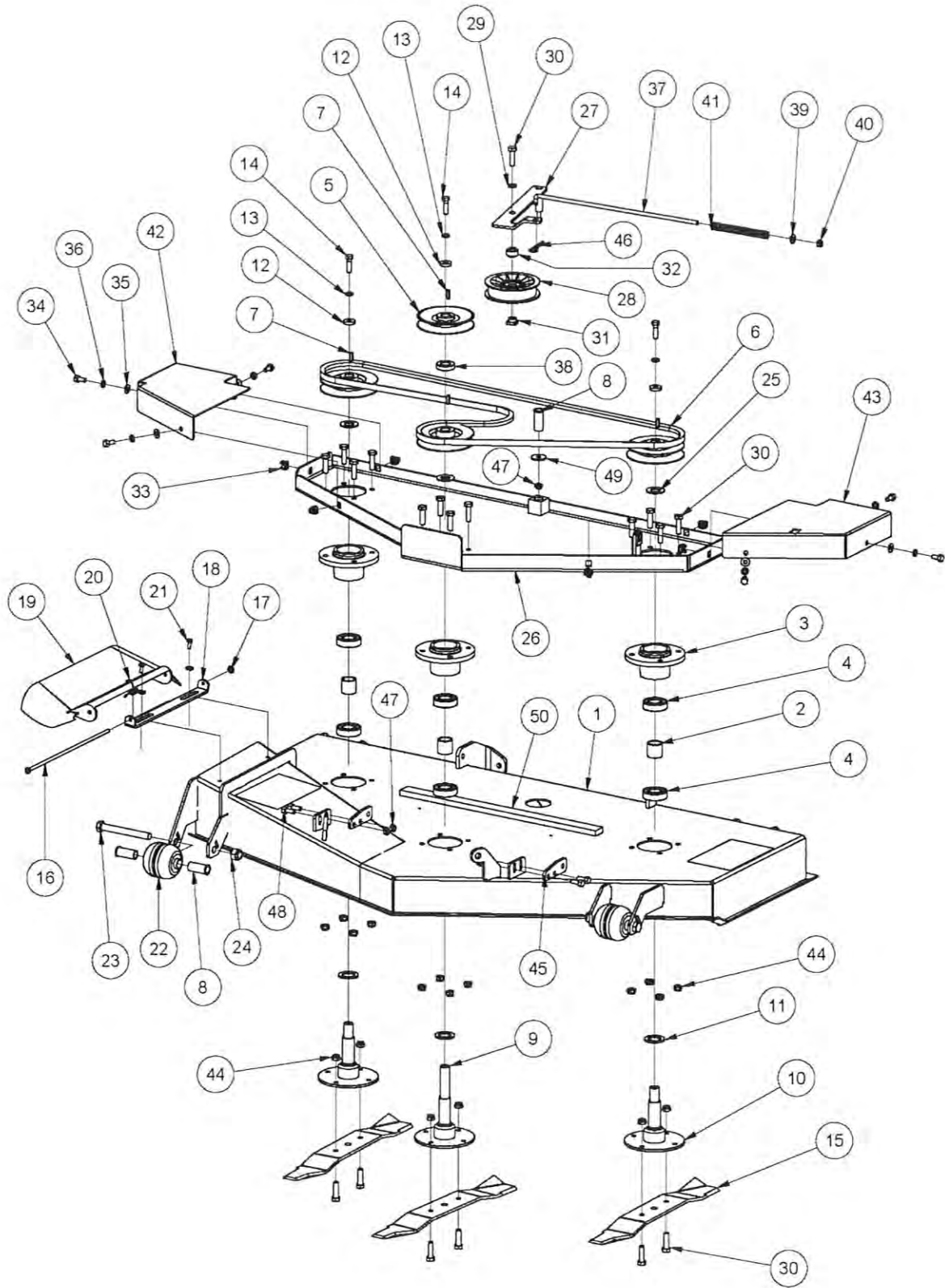
PARTS LIST: WIRING SETOUT



PARTS LIST: WIRING SETOUT

ITEM	PART NUMBER	DESCRIPTION	QTY
1	AM109	Battery	1
	AM109cap	Battery Cap Set	1
2	AM159	Solenoid	1
3	NM6NT	Nut,Hex,Nyloc,Thin	6
4	88039	Saddle,Battery Clamp,Red	1
5	14130	Cover,Battery Terminal	1
6	AM096	Clip "P"	2
7	88097	Battery Lead,Red,1015 Long.	1
8	88095	Earth Lead,Black,860 Long	1
9	W040818	Washer,Flat,Bright	2
10	N04C	Nut,Hex	2
11	88096	Battery Lead,Red,560 Long.	1
12	SH0620M	Screw,Hex	2
13	13148	Knob,Tri,Ext Thread	2
14	88095	Earth Lead,Black,860 Long	1

PARTS LIST: CUTTER DECK COMPONENTS



PARTS LIST: CUTTER DECK COMPONENTS

ITEM	PART NUMBER	DESCRIPTION	QTY
1	88501	Housing,Cutter Deck,Red	1
2	88507	Spacer,Bearing Housing,Cutterdeck	3
3	AM242	Bearing Housing	3
4	BB255215N	Bearing,Ball	6
5	88509	Pulley,Drive,Cutter Shaft.	4
6	V37	Belt	1
7	88512	Key,Cutter Pulley	4
8	AM017C1	Steering Shaft Bush With Collar.	9
9	88503	Spindle,Drive/Blade Mount,Cutter Deck	1
10	88508	Spindle,Blade Mount,Cutter Deck	2
11	88516	Washer,Bearing Seal,Cutter Spindle.	3
12	13107	Washer	3
13	WS06081.5	Washer,Lock,Spring	3
14	SH0620F	Screw	3
15	88517	Blade,Cutter	3
16	AM273	Deflector Pivot Rod	1
17	AM274	Fastener,Pushon,Round	1
18	AM052E1	Deflector Bracket	1
19	AM259	Deflector,Plastic,Black	1
20	AM272	Spring,Torsion,Deflector	1
21	SH0616M	Screw	2
22	88518	Wheel,Anti-Scalp	4
23	B14120M	Bolt	4
24	N14MN	Nut	4
25	W203902	Washer	3
26	88502	Stiffener,Cutter Deck	1
27	88510	Bracket,Tensioner,Drive Belt	1
28	PIFBB02	Idler,Flat,Flg,Brg,Sealed	1
29	WS061102	Washer,Lock,Spring	1
30	SH1035M	Screw	19
31	84014	Boss,Idler,16 Dia	1
32	88045	Boss,Idler,17dia	1
33	NCM8X4.75	Cage Nut	6
34	SH0816M	Screw	6
35	W051218	Washer	6
36	WS050216	Washer,Lock,Spring	6
37	251301	Cutter Brake Adjust Rod	1
38	88513	Spacer,Cutter Pulley	1
39	88519	Boss,Spring Retainer	1
40	N05CN	Nut	1
41	13079	Spring,Compression,Foot Brake Return.	1
42	88521	Guard,Pulley,R/Hand,Cutter Deck,Black	1
43	88522	Guard,Pulley,L/Hand,Cutter Deck,Black	1
44	NM10NT	Nut	18
45	88506	Lug,Lift,Front,Cutter Deck,Red	2
46	RP02	Pin,"R"	1
47	NM8NT	Nut	5
48	SH0820M	Screw	4
49	W052003	Washer	1
50	88527	Anti Vibration Strip	1

COX INDUSTRIES WARRANTY POLICY

NEW MOWER:

COX INDUSTRIES warrants in respect of each new ride-on mower sold, that for a period of one (1) year (Domestic use**) or six (6) months Commercial/Contractors/Hire use***) to the original purchaser from the date of purchase, COX INDUSTRIES or an authorised dealer will repair or replace free of charge any ride-on mower parts found to be defective in materials or workmanship under normal use and operating conditions provided that:

1. The mower has been properly and reasonably used, operated, maintained and regularly serviced as per the maintenance schedule during the warranty period.

2. The replacement or repair is performed by an authorised COX INDUSTRIES Dealer.

** "Domestic/Consumer use" means the personal residential household (property use by the original retail purchaser).

*** "Commercial use" means all other uses, including income producing, rental, schools, government departments and charity operators.

NEW MOWER WARRANTY EXTENSION:

To triple the warranty period (Domestic use only) from the existing 12 mths to 36 mths or 300hrs, which ever comes first, all we require is that:-

1. The warranty registration form be completed and returned to COX INDUSTRIES within 14 days from date of purchase.

2. The mower receives an initial service at 5 to 10 hrs or 1 month, then a service as per the maintenance schedule at every 50hrs or 6 months which ever is the sooner, and those service times and dates are recorded by the COX INDUSTRIES servicing Dealer in the service log provided in this Owners Manual.

PARTS INSTALLED DURING NEW MOWER WARRANTY PERIOD:

Warranty coverage for parts installed during new mower warranty period shall consist of the remainder of the new mower warranty period or ninety (90) days, which ever is greater, provided the installation is performed by an authorised COX INDUSTRIES Dealer.

ENGINE:

The engine in a new Mower is covered by the manufacturer of that specific engine, not by COX INDUSTRIES. Refer to the engine owners manual for details.

BATTERY:

The battery in a new mower is covered for a period of twelve (12) months by the battery supplier and/or COX INDUSTRIES to the original purchaser from the date of purchase.

ELECTRIC CLUTCH (18.0HP ONLY):

The electric clutch in a new mower is covered for a period of twelve (12) months by the electric clutch supplier and/or COX INDUSTRIES to the original purchaser from the date of purchase.

WARRANTY SERVICE :

In the event of a need for warranty service contact your local authorised COX INDUSTRIES Dealer.

Date of purchase of machine must be given before warranty claim will be accepted for processing.

WARRANTY REGISTRATION:

The warranty registration card must be completed by the dealer with the customer at the time of purchase and returned to COX INDUSTRIES or an authorised Dealer within 14 days.

WARRANTY EXCLUSIONS:

1) The rental of another machine or related equipment while unit repairs are in progress.

2) Telephone, facsimile expenses or other related communication expenses.

3) Transportation and Insurance charges during transportation of failed unit or any part thereof.

4) The labour, parts, mechanical adjustments or lubricant costs which, in the judgement of COX INDUSTRIES or their authorised dealer, are made or should be made as standard maintenance according to the COX-INDUSTRIES maintenance schedule.

5) The replacement of normal maintenance parts such as (mower discs, blades, bolts and nuts, vee belts, bearings, chains and clutch cones) made in connection with normal maintenance services as opposed to manufacturing defects.

6) Any defect caused by alteration, modification, fitment of a non-genuine part or attachment not approved by COX INDUSTRIES.

7) Any defect caused by misuse, negligence, accidents or failure to carry out proper maintenance procedures.

8) Any defect caused by work carried out by other than an authorised dealer.

9) Damage caused by continued operation of the machine after it is known to be defective.

10) Damage caused by racing and similar activities or by overloading.

All implied warranties (save those preserved by statute) are excluded. Liability for consequential damages under any and all warranties are excluded to the extent exclusion is permitted by law.

To the extent that it is not prevented from doing so from statute, the manufacturer will not accept liability for costs of labour, postage, cartage or delivery to replace faulty materials or parts; or for any loss, damage or accident directly, indirectly, or consequently suffered by the purchaser, operator or any other person or property as a result of such faults whether due to defective materials or workmanship or otherwise

The careless or improper use of a machine of this type can be dangerous. The manufacturer or selling agent does not accept responsibility for accident either to the operator, to the owner or to any person directly or indirectly or to property if such accident is caused by circumstances arising other than by the negligence or default of COX INDUSTRIES.

Due to COX Industries on-going commitment to product improvement, we reserve the right to change at any time, product specifications, configurations and company policies.



Cox Industries (Australia) Pty Ltd

**70 Landseer Street
Acacia Ridge Qld 4110
P.O. Box 6266DC Acacia Ridge Q 4110
Australia
PH 07 3323 2222 FAX 07 3344 6233**

Web Site Address: www.coxmowers.com.au

Email: sales@cox-mowers.com.au