



*Stockman*



32" CUT SIDE DISCHARGE RIDE-ON MOWER (15.5HP)

40" CUT REAR BAGGER RIDE-ON MOWER (17HP OR 18HP Only)

**Model A10206J**

## **OWNER/OPERATORS MANUAL**

**READ THIS MANUAL BEFORE OPERATING MACHINE**

**DEATH, PERSONAL INJURY AND/OR PROPERTY DAMAGE MAY OCCUR UNLESS  
INSTRUCTIONS IN THIS MANUAL ARE FOLLOWED**

NOTE: Bring this Manual when Service & or Warranty work is required.

# Owners Information

Record the following Information

## **Tractor** (See Figure 1 for Location)

Model No:-.....

Product Code:- ..... Serial No:- .....

## **Engine** (See Figure 2a or 2b for Location)

Model No:-.....

Type No:- ..... Serial No:- .....

## **Transaxle** (See Figure 3 for Location)

Model No:- ..... Serial No:- .....

**Date of Purchase:-**...../...../.....

## **Issued To**

Owners Name:-.....

Address:-.....

Town/City:- ..... State:- .....

Phone No:- ..... Fax No:- .....

Email Address:-.....

ABN No:-.....

## **Issued By**

Authorised Cox Dealer/Distributor:-.....

Address:-.....

Town/City:- ..... State:-.....

Phone No:- ..... Fax No:- .....

Email Address:-.....

ABN No:-.....



---

# INTRODUCTION

**THANK YOU, for purchasing a COX Hydrostatic Drive, New Era STOCKMAN Ride-on Mower. Proudly Manufactured by Cox Industries (Australia) Pty. Ltd..**

THIS MANUAL covers the following PRODUCT CODES

CR15.5-32H	Cox STOCKMAN 11.6 kw (15.5HP) 32" Cut Side Discharge Ride-on Mower.
CR17.0-40RB	Cox STOCKMAN 12.7 kw (17.0HP) 40" Cut Rear Discharge Ride-on Mower.
CR18.0-40RB	Cox STOCKMAN 13.4 kw (18.0HP) 40" Cut Rear Discharge Ride-on Mower.

**READ THIS MANUAL** carefully to learn how to operate safely and maintain your Ride-on Mower effectively.

Failure to follow Safety, Operating or Maintenance instructions in this manual could result in

Death, Personal Injury or Equipment Damage.

**THIS MANUAL IS PART OF YOUR RIDE-ON MOWER** and should be supplied with this Ride-on Mower if you lend or sell this Ride-on Mower. This should also apply to the Engine Owners Manual.

## CONVENTIONS

Measurements in this manual are given in metric units unless otherwise stated.

Right-hand and Left- hand, are determined by facing the direction of forward travel.

Direction of rotation is determined by looking into the components in motion parallel to the axis of rotation.

**WRITE PRODUCT IDENTIFICATION NUMBERS** in the Owners Information Section of

this manual. Accurately recording these numbers will assist your Cox Dealer when ordering spare parts or help in tracing the Ride-on Mower if it should be stolen. Store this manual in a secure place remote from the Ride-on Mower.

**ENSURE YOU UNDERSTAND THE WARRANTY POLICY** with regard to the responsibilities of operation, maintenance and ownership of this COX STOCKMAN Ride-on Mower.

**THE INTENDED USE OF THIS RIDE-ON MOWER** is for customary mowing of Landscaped Parks, Gardens, Grounds, Sporting Fields, Road Verges, Golf Course Fairways, Orchards, Plantations, and Vineyards. Strict adherence to the conditions of Operation, Maintenance, Service & Repair as specified by the manufacturer constitute essential elements for The Intended Use.

Use in any other way not specifically approved directly in righting by the manufacturer is considered as contrary to the intended use and will increase the risk of personal injury or property damage and is therefore considered as misuse for which the

manufacturer accepts no responsibility as these increased risks must be accepted solely by the user.

**OPERATION, MAINTENANCE, SERVICE AND REPAIR** of this Ride-on Mower should be performed only by persons familiar with its characteristics and acquainted with the relevant Safety, Operating and maintenance instructions in this manual, as well as all relevant Statutory Regulations in force at the place and time.

When your Ride-on Mower needs service or repair please remember your **Cox Dealer is an industry trained professional** who is supported by the personnel of the Sales and Marketing, Engineering, Production, Procurement, Parts Distribution, & Service Sections of the Manufacturer and is dedicated to your satisfaction.

**THE INFORMATION INCLUDED IN THIS MANUAL** was considered correct at the time of approval for printing. Cox Industries (Australia) Pty Ltd reserves the right to change specifications or designs without notice or obligation.

---

## GENERAL SAFETY INSTRUCTIONS

### Training

**Read, understand and follow** all instructions in the Ride-on Mower and Engine Owner's/Operator's Manual as well as on Machine Safety Signs.

**Keep up to date with and follow** all relevant statutory regulations in force at the place and time with regard to ownership, transport, operation, maintenance, service, and repair, disposal or sale of this machine.

**Know the controls and the proper use of the Equipment** as well as how to stop the Mowing Attachment, Machine Travel, and the Engine in an emergency.

**All operators or users should**

**seek and obtain professional and practical instruction.**

Such instruction should emphasize:

The need for concentration when working with ride-on machines.

Control of a ride-on machine sliding on a slope will not be regained by application of the brake.

The main reasons for loss of control are:

- i) Insufficient wheel grip;
- ii) Being driven to fast;
- iii) Inadequate braking;
- iv) The type of machine is unsuitable for the task;
- v) Lack of awareness of the effect of ground conditions, especially slopes;

vi) Incorrect hitching and load distribution.

**Never allow** children or people unfamiliar with these instructions to operate the Ride-on Mower.

**Never carry passengers.**

**Never mow** while people, especially children, or unrestrained animals are nearby.

**Keep in mind** that the operator or user is responsible for accidents or hazards occurring to other people or their property caused by this machine.

# GENERAL SAFETY INSTRUCTIONS CONT.

## Preparation

**While operating,** always wear substantial footwear (not open sandals) and long trousers.

**Thoroughly inspect the area** where the equipment is to be used and remove all objects which can be thrown by the machine.

**WARNING – Petrol is highly flammable:**

- i) Store fuel in containers specifically designed for this purpose;
- ii) Refuel outdoors only;
- iii) Do not smoke while refuelling;
- iv) Add fuel before starting the engine;
- v) Never remove the cap of the fuel tank or add petrol while the engine is running or when the engine is hot;
- vi) If petrol is spilled, do not attempt to start the engine but move the machine away from the area of spillage and avoid creating any source of ignition until petrol vapours have dissipated;
- vii) Replace all fuel tank caps and container caps securely.

**Replace faulty Mufflers.**

**Before using,** always visually inspect to see that the cutter assembly, blades, and blade bolts are not worn or damaged.

**Replace worn or damaged blades and bolts** in sets to preserve balance.

**Take care rotating one blade by hand** as this can cause other blades to rotate.

## Operation

**Do not operate the engine** in a confined space where dangerous carbon monoxide fumes can collect.

**Operate the machine only in daylight** or in good artificial light.

**Before attempting to start the engine,** disengage Power take off Clutch and depress clutch/brake pedal to ensure drive is disengaged to the transmission.

**Do not use on slopes of more than 15 degrees (1 in 3.75 or 27%).**

**There is no such thing as a safe slope.**

**Travel on grass slopes requires particular care.**

**To guard against overturning:**

- i) Do not stop or start suddenly

- when going up or downhill;
- ii) Engage hydrostatic drive slowly;
- iii) Always keep hydrostatic drive operating, especially when travelling downhill;
- iv) Machine speeds should be kept low on slopes and during tight turns;
- v) Stay alert for humps and hollows and other hidden hazards;
- vi) Never mow across the face of the slope.

**Use care when pulling loads** or using heavy equipment:

- i) Use only approved hitch points;
- ii) Limit loads to those you can safely control;
- iii) Do not turn sharply;
- iv) Use care when reversing;

**Watch out for traffic** when crossing or near roadways.

**Stop the blades rotating** before crossing surfaces other than grass.

**When using the mowing attachment,** never direct discharge of material towards bystanders nor allow anyone else near the machine while it is operating.

**Never operate the machine with defective guards,** or without all safety devices in place and operating correctly.

**Do not change the engine governor settings** or over speed the engine as excessive engine speed can increase the risk of personal injury.

**Before leaving the operators position:**

- i) Disengage the power take off clutch;
- ii) Set the parking brake in the locked position.

**Disengage drive to attachments** when transporting, emptying the catcher, or not in use.

**Disengage drive to attachments and stop engine** before refuelling.

**Disengage drive to attachments, stop engine, and remove the ignition key:**

- i) Before leaving the machine unattended;
- ii) Before clearing blockages or unclogging the chute;
- iii) After striking a foreign object. (Inspect the machine for damage and make repairs before restarting or operating the damaged equipment);
- iv) If the machine starts to vibrate **abnormally**. (Check immediately).

**Disengage drive to attachments, stop engine, remove the ignition key, and disconnect the spark plug wires and battery positive lead** before working on, maintaining, or servicing the machine.

**Secure the mowing attachment in the full up position:**

- i) Before clearing blockages or unclogging the chute;
- ii) Before replacing the blades, or adjusting the tension of the blade bolts;
- iii) Before placing any tools or any part of your person under the mowing attachment.

**Turn the fuel off using the fuel shut off valve** at the conclusion of operation.

## Maintenance and Storage

**Keep all nuts, bolts and screws tight** to ensure the equipment is in safe working order.

**Replace worn or damaged parts** for safety.

**Reduce the fire hazard,** by keeping the engine, muffler, hydrostatic transaxle, battery compartment, and petrol storage area clear of grass, leaves, or excessive oil and grease.

**Also ensure the mowing attachment drive belt can not come into contact with grass, sticks, and leaves** built up on the top surface of the mowing attachment.

**If the fuel tank has to be drained** this should be done outdoors.

**Never store the machine with petrol in the tank** inside a building where fumes can reach an open flame or spark.

**Allow the engine to cool** before storing the Ride-on Mower in any enclosure.

**When the machine is to be parked, stored or left unattended** raise the mowing attachment and secure it in the full up position.

# UNPACKING INSTRUCTIONS

**Do Not Modify the Machine** without direct specific approval by the manufacturer as modification is considered contrary to the intended use and will increase the risk of personal injury or property damage and is therefore considered as misuse for which the manufacturer accepts no responsibility as these increased risks must be accepted solely by the user.

## Unpacking Instructions

Inspect the shipping crate and contents for damage. Position the shipping crate on a firm flat level surface with at least 2.1 meters distance from any obstruction to the end of the crate adjacent to the front of the tractor. Cut and remove the straps restraining the tractor to the ends of the shipping crate.

**! Caution you can be seriously injured by the metal strapping which has sharp edges and can spring out when cut. Wear gloves when handling metal strapping.**

Remove the end of the shipping crate adjacent to front of the tractor.

**! Caution you can be seriously injured by sharp nails protruding from the shipping crate.**

Remove the plastic sheet covering the tractor.

Unlock the park brake knob by depressing the clutch/brake pedal (the pedal on the left side of the tractor). Pull the transaxle transmission pump bypass lever fully towards the left side of the tractor to bypass the transmission pump and allow the tractor to be pulled with less effort.

Pull the tractor from the shipping crate. Depress the brake pedal while lifting up on the park brake knob. Once the park brake knob is raised release the brake pedal and then the park brake knob. The Park brake should now be locked on.

Push the transaxle transmission pump bypass lever fully towards the right of the tractor to engage the transmission pump and allow the tractor to be driven.

Remove the rear bag catcher components from the rear end of the shipping crate.

Remove the steering wheel, seat, & accessories from the tractor.

**Dispose of all packaging material responsibly.**

**Do not leave the plastic sheet unrestrained, it can blow away to become a safety hazard.**

### Loose Parts List

ITEM	PART NUMBER	DESCRIPTION	QTY
1	13127	Hook, Spring Pull	1
2*	14165	Trim, Pinch weld, L= 75	2
3	90056	Sub-Assy, Steering Wheel	1
3.1	90058	Wheel, Steering, New Era	1
3.2	90268	Cover, Wheel, Steering, Inc Badge	1
3.3	SPPK3x14	Screw, Pan, Poz1, K 3x 14, Znpl	3
4	90134	Key, Ignition Switch, Vinyl Covered, Steel	2
5	90250	Sub-Assy, Seat, New Era Stockman	1
5.1	BHSSM8x12	Screw, Button, Hex Soc, M 8x 12, Pc10.9	2
5.2	SH0816M	Screw, Hex, M 8x 16, Pc8.8, Znpl	2
5.3	W05M202	Washer, Flat, Bright, 5/16"X3/4"X14g	2
5.4	WS050216	Washer, Lock, Spring, 5/16"X1/8"X1/16", Znpl	2
6	A10206J	Manual, Owner, Ride-On Mower, New Era, Hydro	1
7*	A102138G	Deflector, Rear Discharge, Grey	1
8*	A106000	Sub-Assy, Catcher, Grass, Bag, Rear, 200l	1
8.1*	A106002G	Frame, Lower, Catcher, Grass, Grey	1
8.2*	A106003G	Frame, Front, Catcher, Grass, Grey	1
8.3*	A106005G	Frame, Upper, Catcher, Grass, Grey	1
8.4*	A106014	Bag, Catcher, Grass, Rear, 200l	1
8.5*	A106016	Sub-Assy, Cover, Catcher, Grass, 200l	1
8.6*	A106018G	Frame, Rear, Grey	1
8.7*	A106019	Sub-Assy, Lever, Tilt	1
8.8*	KIT190	Kit, Hardware, Catcher, Grass, 200l	1
8.8.1*	14154	Handle, Front, Grass Catcher, Black	2
8.8.2*	AM335	Grip, Handle (7/8), Mushroom, 4", Black	1
8.8.3*	B0840M	Bolt, Hex, M8x40, Pc8, Znpl	2
8.8.4*	CABLETIES	Cable Ties 100mm X 2.5 Black	6
8.8.5*	NM8NT	Nut, Hex, Nyloc, Thin, M8, Pc6, Znpl	8
8.8.6*	SH0820M	Screw, Hex, M 8x 20, Pc8.8, Znpl	6
8.8.7*	15183	Seal, Catcher Cover, Handle Hole	1
9	AM007	Bar, Tommy, 9.5x150, Znpl	1
10	AM295	Spanner, Tube, Spark Plug, 5/8"Af, Znpl	1
11	PD008	Instruct, Pre-Delivery, New Era, Catcher	1
12	WARRENTYCARDS	Warranty Cards - Reply Paid	1
13		Manual, Engine, Owner/Operator	1
14	14128	Cap, Seat Spring (black)	2

\* Denotes: Rear Discharge Mowing Attachment with Bag Catcher Only



# PRE-DELIVERY INSTRUCTIONS

## INTRODUCTION

The purpose of this section of the manual is to ensure the dealer makes the necessary installations, adjustments and checks, before the machine is operational. This begins upon receiving the crated mower and is finalised once the mower has been sold. This is the minimum amount of work required; however it should not be limited to the areas detailed in this procedure.

## RESPONSIBILITY

It is the responsibility of the dealer to ensure that before a machine is delivered to a customer, it is in satisfactory operational condition.

## PROCEDURE

### 1. UNPACK PARTS

Check parts supplied against the list on previous page.

### 2. ASSEMBLE

#### TOOLS & EQUIPMENT REQUIRED:

Socket set containing 1/2" & 10mm a/f sockets & extension 75mm (3") or longer. Spanners, 10mm & 13mm a/f. Stumpy Pozidrive No 1 screw driver. 5mm Allen key.

## SEAT

Refer pictorial procedure provided.

## STEERING WHEEL

Refer pictorial procedure provided.

## PRE-DELIVERY ELECTRIC'S HOURMETER

Connect the black negative wire to the terminal supplied at the back of the hourmeter. **NOTE** -The Hourmeter will continue to operate if the ignition switch is on.

## BATTERY

This machine is fitted with a maintenance free battery.

## SIDE DISCHARGE MOWING ATTACHMENT DISCHARGE DEFLECTOR

Before operating reposition spring to outside of deflector as pictorial procedures.

## REAR DISCHARGE MOWING ATTACHMENT DEFLECTOR

If the grass catcher is not fitted before operation ensure the rear deflector is fitted in place of the grass catcher.

## 3. SERVICE

### TYRES

Before operation ensure that tyre pressures are equal on both sides. The recommended pressure is: Front 100kPa (15 P.S.I.).

Rear 100kPa (15 P.S.I.)

## ENGINE OIL

Before operation ensure that engine oil level is to the full mark on the dipstick. (Refer to Engine Owners Manual for correct oil classification to use).

## FUEL TAP

Ensure the fuel tap (lower left front corner of fuel tank) is turned to the on position before attempting to start engine. (Use unleaded fuel only).

## TO CHECK OPERATION OF SAFETY SWITCHES

### SAFETY SWITCHES:

#### Start Foot switch

Sit on seat with mowing attachment disengaged (Off), (manual or electric control) attempt to start engine without using the Start foot switch. **Engine should not start.**

#### Disengagement switch

Sit on seat with foot on foot switch and cutter engaged (On), (manual or electric control) attempt to start engine. **Engine should not start.**

#### Seat switch

##### (Operator presence)

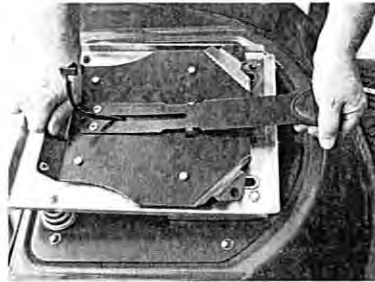
Sit on seat and start engine, engage cutter, (manual or electric control) and lift weight from seat.

**Engine should stop.**

## Pictorial Assembly Procedures - Seat



1/ Remove seat mounting hardware from the seat.



2/ Raise seat adjustment lever & slide the seat mount to the forward most position.



3/ Connect the protruding wires to the seat switch.



4/ Pass hex screw through seat mount plate, then place plain washer and spring washer as shown on hex screw. Locate the hex screw into the seat threaded insert and screw the hex screw into the insert hand (finger tight). Repeat on the other side.



5/ Raise seat adjustment lever & slide seat fully to the rear. Screw the cap head screws into the rear seat inserts by hand & tighten using 5mm A/F Hex Allen Key

6/ Raise seat adjustment lever & slide seat fully forward. Using a 13mm spanner tighten the front 2 seat mounts. Seat is now ready for use.

7/ Attach black seat spring caps to end of seat springs.

## Pictorial Assembly Procedures Steering Wheel



1/ Remove the three screws from the steering wheel using pozidrive no 1 screw driver.



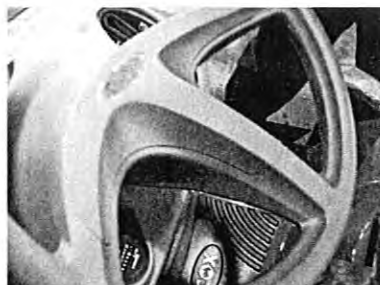
2/ Push the snap fastener hook outward and down and remove steering wheel hub cover.



3/ Remove the hex screw and washer's from the steering shaft, remove the tape from the key, fit the steering wheel to the shaft ensuring keyway is aligned to the key. Re-fit the hex screw and washer's and tighten hex screw using 1/2" A/F spanner.



4/ Snap the front of the steering wheel hub cover into position first.



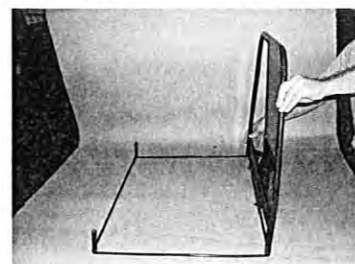
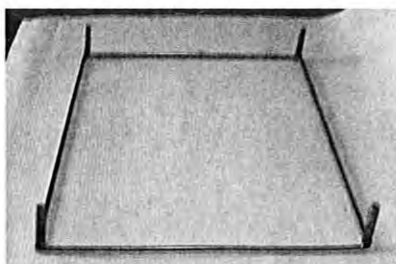
5/ After the front of the cover is in position, snap the rear and side wings into position.



6/ Using a pozidrive no 1 screwdriver, secure the cover by re-fitting the three screws.

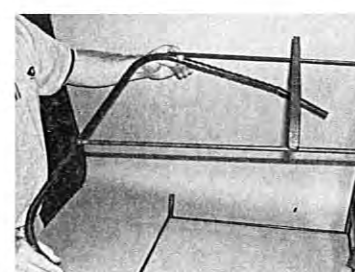
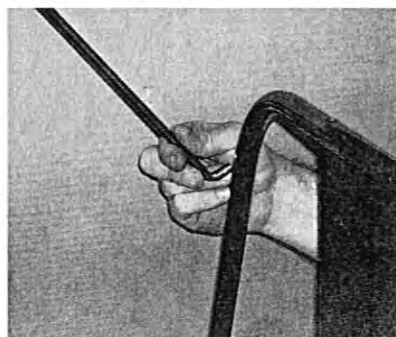
## REAR GRASS CATCHER (17HP & 18HP rear bagger only)

1/ Place the front frame with the short tubes in each corner on a flat surface with the short tubes up.



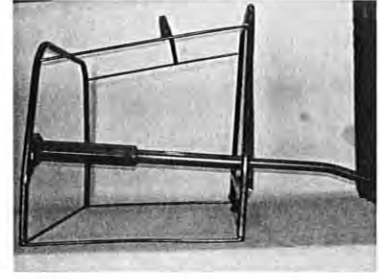
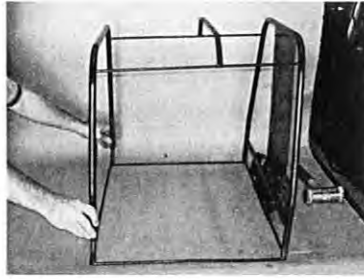
2/ Fit the upper frame over the outward leaning front frame short tubes. **Note: The two holes in the upper frame near the bent corners must face inwards.**

3/ Install the rear frame by inserting hook side of rear frame into upper frame, opposite side to tilt lever mount bracket.



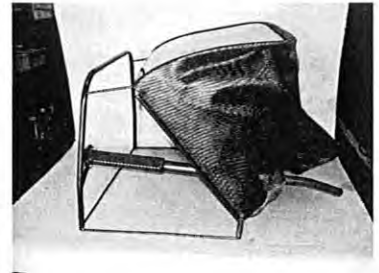
4/ Insert hook side into lower frame.

**5/** Fit the lower frame over the two short tubes of the front frame which lean inwards. **Note: Make sure the two holes in the sides of the lower frame also face inwards as the struts fit into these.**



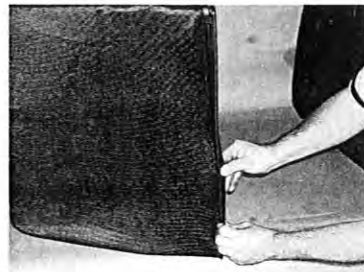
**6/** Ensure tilt lever is angled toward front frame before fitting M8x20 screws and nyloc nuts.

**7/** Secure tilt lever in lower frame using M8x20 screws and nyloc nuts, tension top and bottom screws.



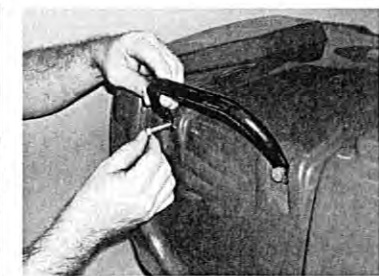
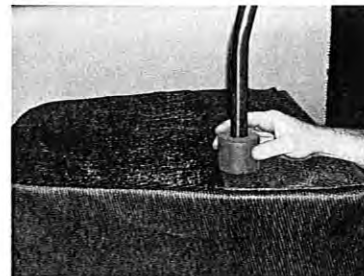
**8/** Feed the bag over the assembled frame with the plain plastic base against the lower frame (bottom of the catcher).

**9/** Turn catcher over then clip the bag onto the front frame.



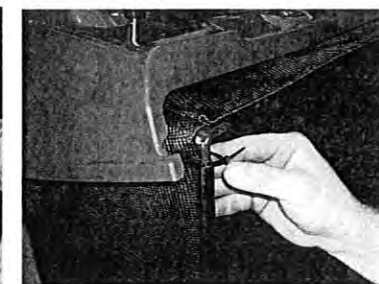
**10/** Using a small soldering iron melt through the mesh at the four bolt holes in the upper frame to suit the handle bolts.

**11/** Fit catcher cover seal over tilt lever handle.



**12/** Place the catcher cover over the assembled bag and frame, line up bolt holes. Using the two M8x40 screws & nyloc nuts fit one handle to the rear of the catcher with the handle holes facing down and handle leaning toward the rear.

**13/** Using the two M8x20 screws and nyloc nuts fit the other handle to the front of the catcher with the handle holes facing forward. Tighten all four handle screws.



**14/** Use the cable ties in the top & bottom corners if necessary to close any gaps which may occur between the bag and frame.

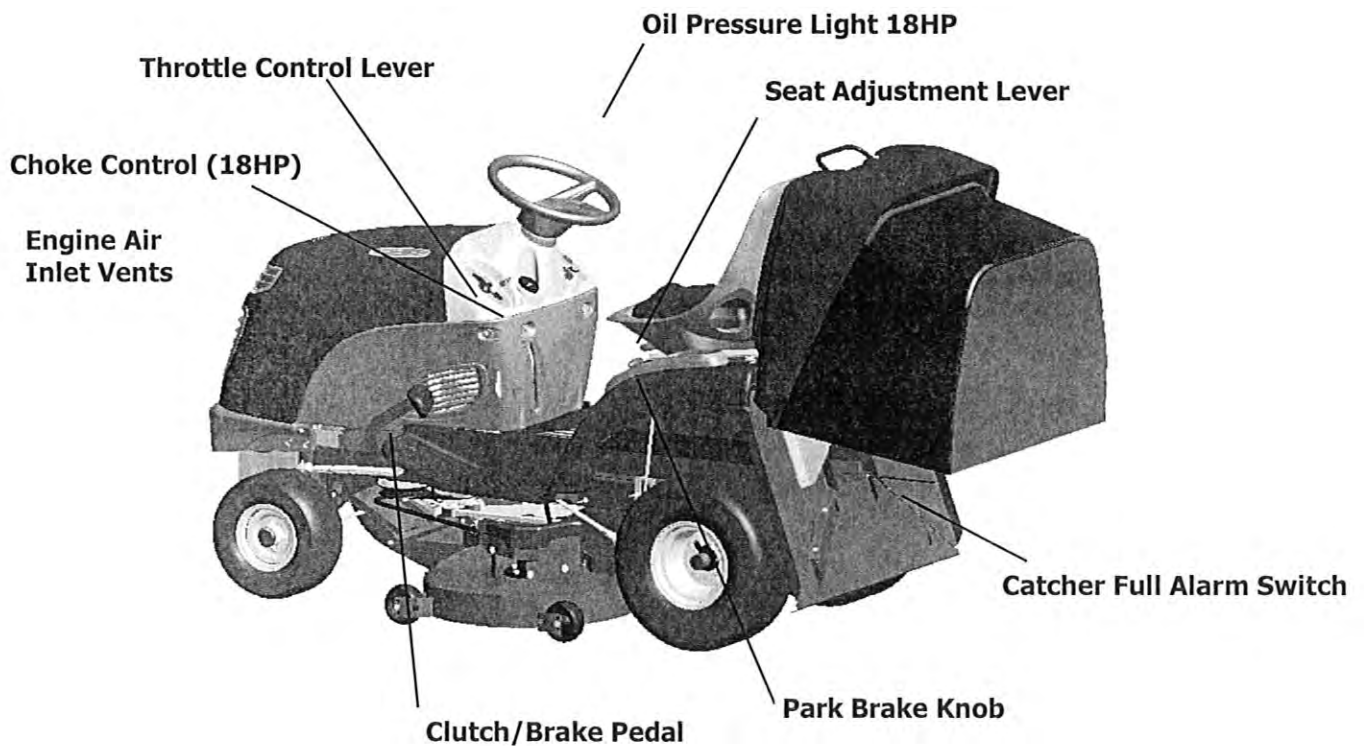
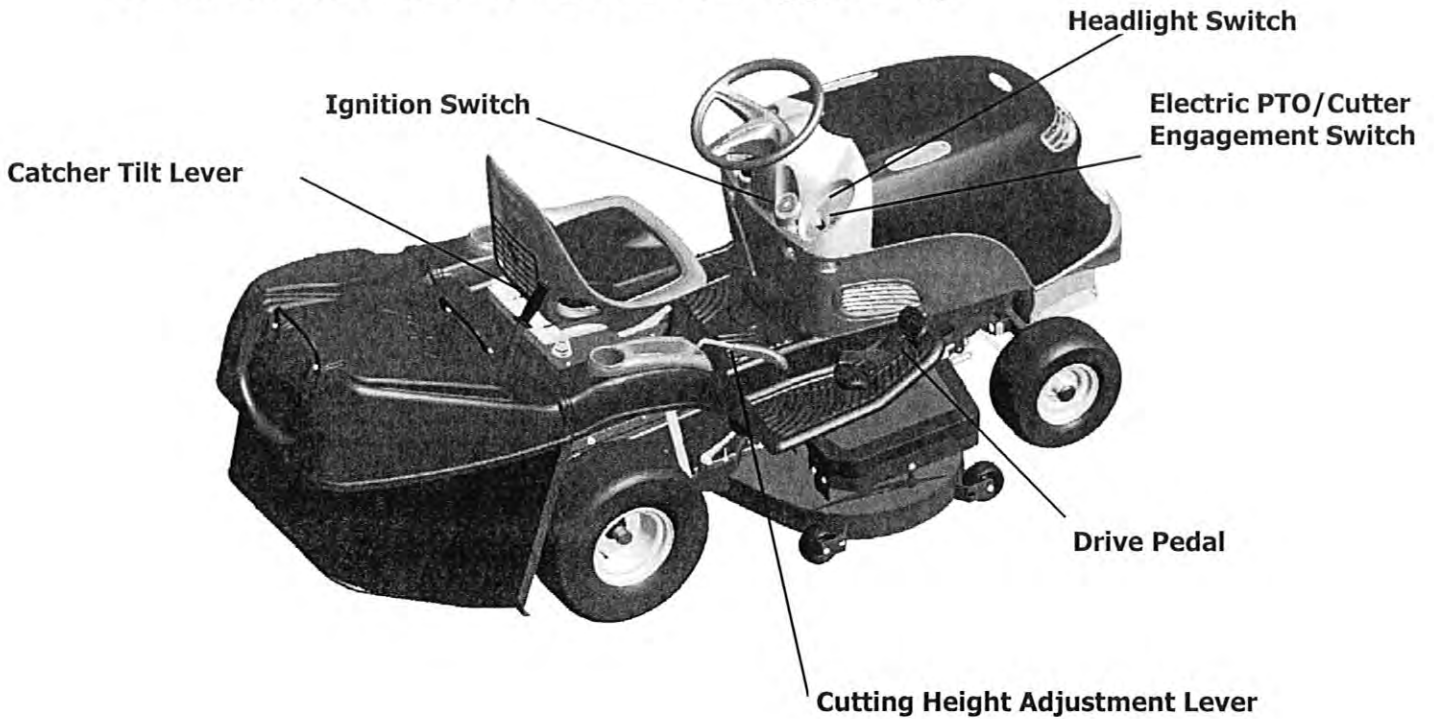
**15/** Install catcher onto the machine and adjust the mounting brackets so the top front edge of the catcher bag makes contact with the top lip of the mounting panel when the catcher is closed.



---

# MODEL A10206J OPERATING INSTRUCTIONS

Rear Catcher 17HP & 18HP rear bagger only



---

# MODEL A10206J OPERATING INSTRUCTIONS

## The Instruments, the Controls and their functions are as follows;

### Ignition Switch-

Used to start and stop engine. Insert key, turn key all the way right to start (3rd) position to start engine. When key is released from start (3rd) position it will return to on | (2nd) position. Turn key all the way left to off O (1st) position to stop engine. Remove key from off O (1st) position to lock ignition switch.

### Electric PTO Switch-

Used to activate the electromagnetic clutch/brake to start (engage) and stop (disengage and brake) mowing attachment blades and allow starting of engine with mowing attachment blades disengaged from engine. With engine running at fast speed pull KNOB up to (ON) position to start (engage) mowing attachment blades. Push knob down to (OFF) position to stop (disengage and brake) mowing attachment blades.

### Headlight switch-

Used to turn headlight on or off. With ignition switch in on | (2nd) position, toggle switch lever back to on | position to turn headlights on. toggle switch lever forward to off O position to turn headlights off.

### Seat Switch-

Used to stop engine if operator is not on the seat & cutter engagement switch is engaged and or park brake knob is not in locked "on" position or clutch/brake pedal fully depressed.

### Electric PTO/Cutter Engagement Switch-

Used to start and stop mowing attachment. With engine running at medium/fast speed, pull the switch knob out from the console to "engage" position to start mowing attachment. Push knob fully in toward console to "disengage" position to stop mowing attachment.

### Hourmeter-

Used to indicate the number of hours the engine has operated.

Note:- If the ignition switch is in the on position with the engine off the hourmeter will continue to operate.

### Throttle/Choke Control Lever (15.5HP & 17.0 HP only)-

Used to regulate engine speed and cutter speed also to engage/regulate/disengage the engine choke to assist in starting a cold engine. Push LEVER fully forward to engage the engine choke fully.

Pull LEVER back so front edge of LEVER is below yellow line on dash decal to disengage choke fully.

Pull LEVER back for slow engine and cutter speed and push LEVER forward to below yellow line on dash decal for fast engine and cutter speed.

### Throttle Control Lever (18.0 HP only)-

Used to regulate engine speed and cutter speed. Pull LEVER back for slow engine speed and push LEVER forward for fast engine speed.

### Choke Control (18.0 HP only)-

Used to engage/regulate/disengage the engine choke to assist in starting a cold engine. Pull KNOB out to assist in cold engine starting. Push KNOB in fully after engine has started.

### Clutch/Brake Pedal-

Used to disengage drive to the transaxle and apply the brake to slow or stop machine travel in forward or reverse direction. Used to allow engagement of park brake in locked (on) position. Used to allow starting of engine. Used to release park brake from locked (on) position. Depress PEDAL to apply brake. Depress PEDAL to allow raising of park brake knob to locked (on) position. Depress PEDAL to allow starting of engine. Depress PEDAL to release park brake from locked (on) position.

### Park Brake Knob-

Used to lift the park brake rod and engage with the clutch/brake linkage to secure the brake into the locked (on) position. Used to allow starting of the engine if the mowing attachment is stoped (PTO. clutch/

brake knob is pushed down) without the operator depressing clutch/brake pedal or being on the operators seat. Used to allow the operator to leave the operating position with the engine running if the park brake is in the locked (on) position and the mowing attachment is also stoped (PTO. clutch/brake knob is pushed down). Depress brake pedal fully, then lift the park brake KNOB into the locked (on) position and release the brake pedal, leaving the KNOB in the locked (on) position. Depress the brake pedal to release the park brake and let it return to the off position.

### Seat Adjustment Lever-

Used to allow adjustment of the seat backwards or forwards to give the most comfortable operating position. Pull the LEVER up to unlock the seat slide mechanism, with the LEVER up move seat backwards or forwards until most comfortable operating position is reached, release LEVER and attempt to move the seat backwards or forwards slightly to allow the LEVER to return to the fully down position and to ensure the seat is locked in position.

### Park Brake Knob-

Used to keep machine stationary. Fully depress the Clutch/Brake pedal and raise and hold the park brake knob up while releasing brake pedal in "on" (lock) position. To return park brake knob to "off" (unlock) position, depress clutch/brake pedal on park brake fully and knob will return to "off" (unlock) position.

### Drive Pedal-

Used to control an infinitely variable ground speed between zero and maximum in forward or reverse. Also to select neutral. With engine running and clutch/brake pedal released push down on front of drive pedal to travel forward, push down on back of drive pedal to travel in reverse. When pressure is released from front or back of pedal it will return to neutral position.

Cont...

---

# OPERATING INSTRUCTIONS cont.

## **Clutch/Brake Pedal-**

Used to disconnect drive to transmission and to stop machine travel before setting park brake. Push pedal down to apply brake. Remove foot from pedal to release brake.

## **Cutting Height Adjustment Lever-**

Used to change the mowing attachment cutting height. To raise cutting height, pull lever towards you and up, stop at desired cutting height and push lever into adjacent slot. To lower cutting height, pull towards you and lower the lever to desired height and push lever into adjacent slot.

## **Transmission Pump By-Pass Lever-**

Used to disengage the transmission to allow the mower to be pushed easily. Located at the rear of the transmission and forward of the tow plate. Move lever to right for normal operation or move lever to the left for free wheel.

## **Fuel Level Windows-**

Used to indicate fuel remaining in fuel tank.

## **Fuel Tap Knob-**

Used to shut off the fuel line to stop fuel flow to the engine when the tractor is transported or not in operation to reduce the likelihood of fuel leakage. Turn the KNOB clockwise ¼ of a turn from the on position to the off position to shut off the fuel line to stop fuel flowing to the engine. Turn KNOB anticlockwise ¼ of a turn from the off position to the on position to allow fuel to flow to the engine.

## **Oil Level Dipstick-**

Used to indicate oil level in engine when engine is not running. (Refer to engine owners manual for instructions on checking engine oil level)

## **Low Oil Level/Oil Pressure Warning Light (18HP only)-**

Light comes on to indicate low engine oil pressure when the engine is running.

## **STARTING ENGINE**

### **Electric Starter-**

**Cold Engine:** Check engine oil level, check fuel level, open fuel tap. To start engine, place throttle control lever into choke position (15.5HP & 17HP), ((18HP) pull choke fully out), ensure mowing attachment control is in the "off" position, park brake locked and foot off hydro pedal, insert key in ignition switch, turn key all the way right to start (3rd) position, release key when engine has started. Note: More than 15 seconds of continuous cranking can damage the starter motor. Short starting cycles give best starter motor life. Allow starter motor to cool for 2 minutes before attempting to restart engine. After engine starts gradually move throttle control lever, out of narrow slot (choke position) (15.5HP & 17HP) ((13.4kW (18HP) - push choke knob in) to obtain desired engine speed.

**Hot engine:** To start engine, place throttle control slightly past slow position, ensure mowing attachment control is in the "off" position, park brake locked and foot off hydro pedal, insert key in ignition switch, turn key all the way right to start (3rd) position, release key when engine has started. Move throttle control lever to obtain desired engine speed.

### **Rewind starter:- 13.4kW (18HP)**

Note: Perform battery/electrical service if unable to electrically start engine.

## **STOPPING ENGINE**

When stopping engine, ensure mowing attachment control is in the off position, return throttle to slow position, lock park brake, turn ignition switch to the "off" (1st) position.

## **DRIVING**

### **To Travel Machine Forward Or Reverse-**

With engine running set throttle control lever to obtain desired engine speed, ¾ to full throttle for the best mowing finish and for

engine and transmission cooling. Release park brake, let the clutch/brake pedal all the way out, apply downward pressure on front of drive pedal with foot to travel forward, or apply downward pressure on back of drive pedal with toes to travel in reverse. It is not necessary to apply foot brake before changing from forward to reverse or reverse to forward. The amount of pedal travel is used to control the ground speed, small downward travel will give a slow ground speed, full downward travel will give a fast ground speed.

**NOTE Use slower ground speed for traveling up and down slopes or mowing heavy growth.**

**Take care when reversing, always look in the direction of intended travel before changing direction.**

### **To Stop Machine Travel-**

Apply clutch/brake pedal fully, this will disconnect the drive belt to the transmission before the brake is activated.

**NOTE- Do Not mow either direction on slopes beyond 15 degrees (1 in 3.75).**

### **Rear Grass Catcher Full Indicator 17HP & 18HP-**

A high pitched beep will emit when grass catcher is full and requires emptying. Disengage electric clutch immediately, failure to do so may cause a blockage in the discharge chute that will require manual removal.

### **To Empty Rear Grass Catcher 17HP & 18HP-**

Disengage cutter, pull up tilt lever handle located on right hand corner of the catcher cover. Push lever forward and down to tilt catcher & empty. Drive forward, lower catcher push tilt lever handle down until it stops.



# COX INDUSTRIES WARRANTY POLICY

## NEW MOWER:

COX INDUSTRIES warrants in respect of each new ride-on mower sold, that for a period of one (1) year (Domestic use\*\*) or six (6) months Commercial/Contractors/Hire use\*\*\*) to the original purchaser from the date of purchase, COX INDUSTRIES or an authorised dealer will repair or replace free of charge any ride-on mower parts found to be defective in materials or workmanship under normal use and operating conditions provided that:

1. The mower has been properly and reasonably used, operated, maintained and regularly serviced as per the maintenance schedule during the warranty period.
2. The replacement or repair is performed by an authorised COX INDUSTRIES Dealer.

\*\* "Domestic/Consumer use" means the personal residential household (property use by the original retail purchaser.

\*\*\* "Commercial use" means all other uses, including income producing, rental, schools, government departments and charity operators.

## NEW MOWER WARRANTY EXTENSION:

To triple the warranty period (Domestic use only) from the existing 12 mths to 36 mths or 300 hrs, which ever comes first, all we require is that:-

1. The warranty registration form be completed and returned to COX INDUSTRIES within 14 days from date of purchase.
2. The mower receives an initial service at 5 to 10 hrs or 1 month, then a service as per the maintenance schedule at every 50 hrs or 6 months which ever is the sooner, and those service times and dates are recorded by the COX INDUSTRIES servicing Dealer in the service log provided in this Owners Manual.

## PARTS INSTALLED DURING NEW MOWER WARRANTY PERIOD:

Warranty coverage for parts installed during new mower warranty period shall consist of the remainder of the new mower warranty period or ninety (90) days, which ever is greater, provided the installation is performed by an authorised COX INDUSTRIES Dealer.

## ENGINE AND TRANSAXLE:

The engine in a new Mower is covered by the manufacturer of that specific product, not by COX INDUSTRIES. The transaxle is covered by the manufacturer of that specific product and/or by COX INDUSTRIES. Refer to the engine/transaxle owners manual for details of each products specific warranties.

## BATTERY:

The battery in a new mower is covered for a period of twelve (12) months by the battery supplier and/or COX INDUSTRIES to the original purchaser from the date of purchase.

## ELECTRIC CLUTCH:

The electric clutch in a new mower is covered for a period of twelve (12) months by the electric clutch supplier and/or COX INDUSTRIES to the original purchaser from the date of purchase.

## WARRANTY SERVICE :

In the event of a need for warranty service contact your local authorised COX INDUSTRIES Dealer.

Date of purchase of machine must be given before warranty claim will be accepted for processing.

## WARRANTY REGISTRATION:

The warranty registration card must be completed by the dealer with the customer at the time of purchase and returned to COX INDUSTRIES or an authorised Dealer within 14 days.

## WARRANTY EXCLUSIONS:

- 1) The rental of another machine or related equipment while unit repairs are in progress.
- 2) Telephone, facsimile expenses or other related communication expenses.
- 3) Transportation and Insurance charges during transportation of failed unit or any part thereof.
- 4) The labour, parts, mechanical adjustments or lubricant costs which, in the judgement of COX INDUSTRIES or their authorised dealer, are made or should be made as standard maintenance according to the COX-INDUSTRIES maintenance schedule.
- 5) The replacement of normal maintenance parts such as (mower discs, blades, bolts and nuts, vee belts, bearings, chains and clutch cones) made in connection with normal maintenance services as opposed to manufacturing defects.
- 6) Any defect caused by alteration, modification, fitment of a non-genuine part or attachment not approved by COX INDUSTRIES.
- 7) Any defect caused by misuse, negligence, accidents or failure to carry out proper maintenance procedures.
- 8) Any defect caused by work carried out by other than an authorised dealer.
- 9) Damage caused by continued operation of the machine after it is known to be defective.
- 10) Damage caused by racing and similar activities or by overloading.

All implied warranties (save those preserved by statute) are excluded. Liability for consequential damages under any and all warranties are excluded to the extent exclusion is permitted by law.

To the extent that it is not prevented from doing so from statute, the manufacturer will not accept liability for costs of labour, postage, cartage or delivery to replace faulty materials or parts; or for any loss, damage or accident directly, indirectly, or consequently suffered by the purchaser, operator or any other person or property as a result of such faults whether due to defective materials or workmanship or otherwise

The careless or improper use of a machine of this type can be dangerous. The manufacturer or selling agent does not accept responsibility for accident either to the operator, to the owner or to any person directly or indirectly or to property if such accident is caused by circumstances arising other than by the negligence or default of COX INDUSTRIES.

# MAINTENANCE SCHEDULE

## BEFORE EACH USE

Check engine oil level, adjust if required  
Check engine air cleaner foam pre-cleaner, service if required  
Check engine rotating screen/finger guard, clean if required  
Check operation of safety switches, service if required  
Check clutch/ brake operation, adjust if required  
Check tyre pressures, adjust if required  
Grease stub axles

Lubricate steering ball joints  
Check for loose fasteners, tighten if required  
Check mowing attachment cutter blades, bolts, nuts, housing, chute, grass catcher and guards for wear or damage, repair or replace if required  
Lubricate as necessary

## BEFORE STORAGE

Change engine oil - Clean machine - Lubricate fully

## EVERY 5 HOURS

Check engine oil level, adjust if required  
Check engine air cleaner foam pre-cleaner, service if required\*

Check engine rotating screen/finger guard, clean if required\*

\*Service more often under dusty conditions, or where air borne debris is present

## 1 MONTH OR 5 HOURS which ever occurs first

Change engine oil  
Check engine air cleaner foam pre-cleaner, service if required  
Check engine rotating screen/finger guard, clean if required  
Check for loose fasteners, tighten if required  
Check clutch/ brake operation, adjust if required  
Check operation of safety switches, service if required

Check tyre pressures, adjust if required  
Grease stub axles  
Lubricate steering ball joints  
Check mowing attachment cutter blades, bolts, nuts, housing, chute, grass catcher and guards for damage, repair or replace if required

DATE / / HOURS.....DEALER.....

## 3 MONTHS OR 25 HOURS which ever occurs first

Change engine oil if operating under heavy load or high ambient temperature  
Check engine air cleaner foam pre-cleaner, service if req \*  
Check engine rotating screen/finger guard, clean if required \*  
Check battery condition, service if required  
Check clutch/ brake operation, adjust if required  
Check operation of safety switches and replace if required

Check tyre pressures, adjust if required  
Grease stub axles \*  
Lubricate steering ball joints  
Check for loose fasteners, tighten if required  
Check mowing attachment cutter blades, bolts, nuts, housing, chute, grass catcher and guards for wear or damage, repair or replace if required

\*Service more often under dusty conditions, or where air borne debris is present

DATE / / HOURS.....DEALER.....

## 6 MONTHS OR 50 HOURS which ever occurs first

Change engine oil  
If fitted clean engine exhaust spark arrester  
Check engine air cleaner foam pre-cleaner, service if req \*  
Check engine rotating screen/finger guard, clean if required \*  
Check clutch/ brake operation and pads for wear, adjust or replace if required  
Check tyre pressures, adjust if required  
Check operation of safety switches, service if required  
Check belts for wear or damage, replace if required  
Grease stub axles \*  
Lubricate steering ball joints

Check steering rack and pinion for wear, adjust if required  
Check mowing attachment electric clutch brake air gap, adjust if req.  
Check mowing attachment electromagnetic clutch/brake for operation, adjust air gap if required  
Check for loose fasteners, tighten if required  
Check battery condition, service if required  
Check mowing attachment cutter blades, bolts, nuts, housing, chute, grass catcher and guards for wear or damage, repair or replace if required

\*Service more often under dusty conditions, or where air borne debris is present

DATE / / HOURS.....DEALER.....

## 9 MONTHS OR 75 HOURS which ever occurs first

Change engine oil if operating under heavy load or high ambient temperature	Check tyre pressures, adjust if required
Check engine air cleaner foam pre-cleaner, service if req *	Grease stub axles *
Check engine rotating screen/finger guard, clean if required *	Lubricate steering ball joints
Check for loose fasteners, tighten if required	Check battery condition, service if required
Check clutch/ brake operation, adjust if required	Check mowing attachment cutter blades, bolts, nuts, housing, chute, grass catcher and guards for wear or damage, repair or replace if required
Check operation of safety switches and replace if required	

\*Service more often under dusty conditions, or where air borne debris is present

DATE / / HOURS.....DEALER.....

## 12 MONTHS OR 100 HOURS which ever occurs first

If fitted replace engine oil filter.	Lubricate steering ball joints
Change engine oil.	Check belts for wear or damage, replace if required.
Check engine spark plug, clean, adjust, or replace if required.	Check operation of safety switches, service if required.
If fitted clean engine exhaust spark arrester.	Check mowing attachment electromagnetic clutch/brake for operation, adjust air gap if required
Check engine air cleaner foam pre-cleaner, service if req *.	Check battery condition, service if required.
Replace engine air cleaner cartridge, service if required*.	Check for loose fasteners, tighten if required
Clean engine cooling system*.	Check steering rack and pinion for wear, adjust if required.
Check clutch/ brake operation and pads for wear, adjust or replace if req.	Check mowing attachment cutter blades, bolts, nuts, housing, chute, grass catcher and guards for wear or damage, repair or replace if required.
Replace in-line fuel filter.	
Check tyre pressures, adjust if required.	
Grease stub axles *.	

\*Service more often under dusty conditions, or where air borne debris is present

DATE / / HOURS.....DEALER.....

## 15 MONTHS OR 125 HOURS which ever occurs first

Change engine oil if operating under heavy load or high ambient temperature.	Grease stub axles *.
Check engine air cleaner foam pre-cleaner, service if required *.	Lubricate steering ball joints
Check engine rotating screen/finger guard, clean if required *.	Check tyre pressures, adjust if required.
Check operation of safety switches and replace if required.	Check for loose fasteners, tighten if required.
Check clutch/ brake operation, adjust if required.	Check battery condition, service if required.
	Check mowing attachment cutter blades, bolts, nuts, housing, chute, grass catcher and guards for wear or damage, repair or replace if required.

\*Service more often under dusty conditions, or where air borne debris is present

DATE / / HOURS.....DEALER.....

## 18 MONTHS OR 150 HOURS which ever occurs first

Change engine oil.	Check for loose fasteners, tighten if required.
If fitted clean engine exhaust spark arrester.	Check belts for wear or damage, replace if required.
Check engine air cleaner foam pre-cleaner, service if req*.	Check steering rack and pinion for wear, adjust if required.
Check engine rotating screen/finger guard, clean if req *.	Grease stub axles *.
Check clutch/ brake operation and lining for wear, adjust or replace if req.	Lubricate steering ball joints
Check operation of safety switches, service if required.	Check mowing attachment electric clutch brake air gap, adjust if req.
Check tyre pressures, adjust if required.	Check mowing attachment cutter blades, bolts, nuts, housing, chute, grass catcher and guards for wear or damage, repair or replace if req
If fitted check mowing attachment brake pad for wear, replace if required.	
Check battery condition, service if required.	

\*Service more often under dusty conditions, or where air borne debris is present

DATE / / HOURS.....DEALER.....



## 21 MONTHS OR 175 HOURS which ever occurs first

Change engine oil if operating under heavy load or high ambient temperature.  
Check engine air cleaner foam pre-cleaner, service if required \*.  
Check engine rotating screen/finger guard, clean if required \*.  
Check clutch/ brake operation, adjust if required.  
Check operation of safety switches and replace if required.

Check tyre pressures, adjust if required.  
Grease stub axles \*.  
Lubricate steering ball joints  
Check battery condition, service if required.  
Check for loose fasteners, tighten if required.  
Check mowing attachment cutter blades, bolts, nuts, housing, chute, grass catcher and guards for wear or damage, repair or replace if required

\*Service more often under dusty conditions, or where air borne debris is present

**DATE / / HOURS.....DEALER.....**

## 24 MONTHS OR 200 HOURS which ever occurs first

If fitted replace engine oil filter.  
Change engine oil.  
Check engine spark plug, clean, adjust, or replace if required.  
If fitted clean engine exhaust spark arrestor.  
Check engine air cleaner foam pre-cleaner, service if req \*.  
Check engine air cleaner cartridge, service if required.  
Clean engine cooling system\*.  
Replace in-line fuel filter.  
Check clutch/ brake operation and pads for wear, adjust or replace if req.  
Check operation of safety switches, service if required.

Check tyre pressures, adjust if required.  
Grease stub axles \*  
Lubricate steering ball joints  
Check steering rack and pinion for wear, adjust if required  
Check belts for wear or damage, replace if required.  
Check mowing attachment electromagnetic clutch/brake for operation, adjust air gap if required  
Check battery condition, service if required  
Check for loose fasteners, tighten if required  
Check mowing attachment cutter blades, bolts, nuts, housing, chute, grass catcher and guards for wear or damage, repair or replace if required.

\*Service more often under dusty conditions, or where air borne debris is present

**DATE / / HOURS.....DEALER.....**

## 27 MONTHS OR 225 HOURS which ever occurs first

Change engine oil if operating under heavy load or high ambient temperature.  
Check engine air cleaner foam pre-cleaner, service if req \*.  
Check engine rotating screen/finger guard, clean if req \*.  
Check clutch/ brake operation, adjust if required.  
Check operation of safety switches and replace if req.  
Check tyre pressures, adjust if required.

Grease stub axles \*.  
Lubricate steering ball joints  
Check battery condition, service if required.  
Check for loose fasteners, tighten if required.  
Check mowing attachment cutter blades, bolts, nuts, housing, chute, grass catcher and guards for wear or damage, repair or replace if req.

\*Service more often under dusty conditions, or where air borne debris is present

**DATE / / HOURS.....DEALER.....**

## 30 MONTHS OR 250 HOURS which ever occurs first

Change engine oil.  
If fitted clean engine exhaust spark arrestor.  
Check engine air cleaner foam pre-cleaner, service if req\*.  
Check engine rotating screen/finger guard, clean if req \*.  
Check clutch/ brake operation and pads for wear, adjust or replace if req.  
Check operation of safety switches, service if required.  
Check tyre pressures, adjust if required.  
Grease stub axles \*.  
Lubricate steering ball joints

Check steering rack and pinion wear, adjust if required.  
Check mowing attachment electric clutch brake air gap, adjust if req.  
Check mowing attachment cutter blades, bolts, nuts, housing, chute, grass catcher and guards for wear or damage, repair or replace if required.  
Check belts for wear or damage, replace if required  
Check battery condition, service if required.  
Check for loose fasteners, tighten if required

\*Service more often under dusty conditions, or where air borne debris is present

**DATE / / HOURS.....DEALER.....**

### 33 MONTHS OR 275 HOURS which ever occurs first

Change engine oil if operating under heavy load or high ambient temp.  
 Check engine air cleaner foam pre-cleaner, service if required \*  
 Check engine rotating screen/finger guard, clean if req \*  
 Check clutch/ brake operation, adjust if required  
 Check operation of safety switches and replace if required  
 Check tyre pressures, adjust if required

Grease stub axles \*  
 Lubricate steering ball joints  
 Check mowing attachment cutter blades, bolts, housing, chute, grass catcher and guards for wear or damage, repair or replace if required  
 Check battery condition, service if required  
 Check for loose fasteners, tighten if required

\*Service more often under dusty conditions, or where air borne debris is present

DATE / / HOURS.....DEALER.....

### 36 MONTHS OR 300 HOURS which ever occurs first

If fitted replace engine oil filter Change engine oil  
 Check engine spark plug, clean, adjust, or replace if required  
 If fitted clean engine exhaust spark arrestor  
 Check engine air cleaner foam pre-cleaner, service if required \*  
 Check engine air cleaner cartridge, service if required  
 Clean engine cooling system\*  
 Replace in-line fuel filter  
 Check clutch/ brake operation and lining for wear, adjust or replace if req  
 Check operation of safety switches, service if required  
 Check tyre pressures, adjust if required

Grease stub axles \*  
 Lubricate steering ball joints  
 Check steering rack and pinion wear, adjust if required  
 Check belts for wear or damage, replace if required  
 If fitted check mowing attachment brake pad for wear, replace if required  
 Check battery condition, service if required  
 Check for loose fasteners, tighten if required  
 Check mowing attachment electric clutch brake air gap, adjust if req.  
 Check mowing attachment cutter blades, bolts, nuts, housing, chute, grass catcher and guards for wear or damage, repair or replace if required

\*Service more often under dusty conditions, or where air borne debris is present

DATE / / HOURS.....DEALER.....

---

## Model A10206J MAINTENANCE INSTRUCTIONS

**Before servicing, disconnect spark plug wire and ground it, disconnect battery at negative terminal, to prevent accidental starting. Never alter factory setting of maximum engine R.P.M.**

Reference to the left or right side of the machine is determined by sitting in the operating position.

**IMPORTANT:** If operating in conditions such as those mentioned below, engine oil, air filtering, chassis lubrication, greasing and adjustments should be serviced at more

frequent intervals than specified in this booklet.

- a. Mowing in damp or wet conditions.
- b. Mowing in rough or dusty conditions.
- c. Mowing in hilly areas under heavy load.

Ensure machine has park brake engaged when attempting to start engine.

**CHECK ENGINE OIL LEVEL -**  
 Refer to engine owners manual for correct method to check engine oil level.

**CHANGE ENGINE OIL -**  
 Refer to engine owner's manual

for correct method to change engine oil.

**CHECK ENGINE AIR CLEANER FOAM PRE-CLEANER-**  
 Refer to engine owners manual for correct method to check and service engine air cleaner foam pre-cleaner.

**CHECK ENGINE INLET VENTS -**  
 If Vents are more than one quarter blocked by debris clean Vents.  
 Wipe vents with hand, rag or brush to remove debris from vent openings.

# MAINTENANCE INSTRUCTIONS Cont.

## CHECK ENGINE ROTATING SCREEN/FINGER GUARD -

Refer to engine owners manual for correct method to check and clean engine rotating screen /debris guard.

**CHECK CLUTCH OPERATION** – With pedal in up position check for 3-4mm play in the disengage rod slot and the disengagement arm pin (adjust by removing 'R' pin and washer) and turning in or out.

**CHECK BRAKE OPERATION** – Apply Clutch/Brake pedal and set park brake, if mower can be pushed brake pad, brake spring, or brake linkage may need servicing.

**CHECK TYRE PRESSURES** - Adjust front and rear tyre pressure to 100kPa (15psi).

## CHECK OPERATION OF SAFETY SWITCHES:-

**PARK BRAKE SWITCH** - Sit on seat with cutter disengaged, park brake disengaged, attempt to start engine. **Engine should not start.**

**DISENGAGEMENT SWITCH** - Sit on seat with park brake engaged and cutter engaged, attempt to start engine.

**Engine should not start.**

## SEAT SWITCH

Sit on seat and start engine, engage cutter, and lift weight from seat. **Engine should stop.**

## GREASE STUB AXLES -

Clean grease nipple, use grease gun and general-purpose grease to force old grease from top and bottom of front axle bushes. Jack up front of machine if grease is not released from bottom of bush.

## CHECK FOR LOOSE

### FASTENERS -

#### TORQUE SETTINGS

5/16" UNC BOLT	20Nm (15lbf ft)
5/16" UNF BOLT	23Nm (17lbf ft)
3/8" UNC bolt/nut	36Nm (27lbf ft)
3/8" UNF BOLT	41Nm (30lbf ft)
7/16" UNF BOLT	68Nm (50lbf ft)
6mm BOLT/NUT	9Nm (6lbf ft)
8mm BOLT/NUT	15Nm (11lbf ft)
10mm NUT	44Nm (32lbf ft)
12mm NUT	53Nm (39lbf ft)
20mm NUT	100Nm (74lbf ft)

## TO REMOVE 805mm (32")

**MOWING ATTACHMENT** – With the engine off and spark plug lead removed, disconnect the belt tensioning spring (top left hand side of mowing attachment). Lower mowing attachment onto 20mm block front and rear. Remove cutter belt from engine pulley. Remove two 3/8" X 1 1/2" bolts, nuts & washers from support arms at the mowing attachment. Push up the right hand one onto the side of chassis. Remove 8mm x 25mm bolt & nut from disengagement arm. Remove the 3/8" x 1 1/4" bolt, nut, washer and spacer from right hand side front of the mowing attachment and the 'R' pin and washer. Remove mowing attachment pivot pin lock screw and nut (6mm) and remove mowing attachment pivot pin. Remove the two 'R' pins and washers from the lift link (at rear) and remove from the mowing attachment pins (note position of right hand one). Turn the front wheels a little to the left and twist the mowing attachment to the right and slide the deck from under the mower.

Re-assemble in reverse order making sure the right hand left link is in the same hole as when removed. To assist in refitting mowing attachment pivot pin, raise the mowing attachment slightly. Refit support arms with the washers in between the mowing attachment and the arm rod end. Refit cutter belt between belt guide, connect belt tensioning spring & refit spark plug lead.

## TO REMOVE 1005mm (40")

**MOWING ATTACHMENT (Rear Discharge)** – With the engine off and spark plug lead removed. Lower mowing attachment fully. Disconnect the two belt tensioning springs (top left side of mowing attachment). Remove cutter belt from engine pulley. Remove two 3/8" X 1 1/2" bolts, nuts & washers from support arms at the mowing attachment. Push up the right hand one onto the side of chassis. Remove the 3/8" x 1 1/4" bolt, nut, washer and spacer from right hand side front of the mowing attachment and the 'R' pin and washer. Remove mowing attachment pivot pin lock screw and nut (6mm) and remove mowing attachment pivot pin. Remove the two 'R' pins and washers from the lift link (at rear) and remove from the

mowing attachment pins (note position of right hand one). Tilt machine to the left enough to clear the discharge chute of the mowing attachment from the chute in the machine and slide the attachment to the right. Re-assemble in reverse order.

## REPLACE BLADES-

### Stop engine.

Remove spark plug lead. Check blades, blade bolts and nuts, if necessary simply remove the blade bolt and nut using a suitable spanner and replace all blades, bolts and nuts. To preserve balance tighten blade nut to (36-40Nm). Do not over tighten.

## CLEANING MACHINE WITH WATER PRESSURE –

Allow machine to cool down (min 2 hrs) before hosing down. Start engine and engage drive and cutting systems to clear water from pulleys and belts. Stop engine and allow machine to dry. Lubricate as required. Do not cover machine with plastic or vinyl type material.

## CLEANING AND POLISHING PLASTIC BONNET & FOOT PAN -

To keep scratches on bonnet & foot pan to minimum, do not rub or brush off with bare hands, use a soft cloth or a light flow of compressed air. For dirt, wash with a steady stream of water only (no detergent), then blow off excess water with air. To polish remove excess dust or dirt. When surface is dry, spray on an automotive type plastic preservative and leave on for 30 to 60 seconds. Using a dry soft cloth (i.e. cheesecloth) wipe off to bring up lustre.

## GENUINE SPARE PARTS -

Always use Genuine COX Spare Parts. Use of non-genuine COX spare parts will void your warranty.

## SAFETY FIRST -

The use of mechanical devices can cause injury if incorrect procedures are used.

**We are proud that you have purchased a COX product and urge you to follow these instructions to obtain the maximum life for your machine. If in doubt check with your supplier.**



# Specifications

<b>Model No.</b>	<b>A10206J</b>	<b>COX New Era Stockman Ride-on Lawn Tractor</b>
------------------	----------------	--

<b>Product Code</b>	<b>CR15.5-32H</b>	11.6kW (15.5HP) Engine, Hydrostatic Transaxle, 805mm (32") Side Discharge Mowing Attachment
	<b>CR17.0-40RB</b>	12.7 kW (17.0 HP) Engine, Hydrostatic Transaxle, 1005 mm (40") Rear Discharge Mowing Attachment, 200 Litre Bag Grass Catcher.
	<b>CR18.0-40RB</b>	13.4 kW (18.0 HP) Engine, Hydrostatic Transaxle, 1005 mm (40") Rear Discharge Mowing Attachment, 200 Litre Bag Grass Catcher.

<b>Dimensions, Mass, Capacity</b>		<b>CR15.5-32H</b>	<b>CR17.0-40RB</b>	<b>CR18.0-40RB</b>
Length	Lawn Tractor	1885 mm	1915 mm	1915 mm
	Inc Discharge Deflector		2080 mm	2080 mm
	Inc Grass Catcher		2415 mm	2415 mm
Width	Lawn Mower	830 mm	830 mm	830 mm
	Inc Mowing Attachment	1020 mm	1025 mm	1025 mm
Height		1250 mm	1250 mm	1250 mm
Wheel Base		1240 mm	1240 mm	1240 mm
Front Track [13x6.50-6 Tyres]		660 mm	660 mm	660 mm
Rear Track [18x8.50-6 Tyres]		633 mm	633 mm	633 mm
Dry Mass	Lawn Mower			
	Mowing Attachment			
	Grass Catcher			
	Total (*Inc deflector)			
Fuel Tank Capacity		9 Litre	9 Litre	9 Litre
Engine Oil Capacity Including Oil Filter		1.7 Litre	1.7 Litre	1.7 Litre

<b>Engine Design &amp; Performance</b>		<b>CR15.5-32H</b>	<b>CR17.0-40RB</b>	<b>CR18.0-40RB</b>
Model		Briggs & Stratton 31E677	Briggs & Stratton 31F777	Briggs & Stratton 356777
Type:- Petrol, 4 Stroke, Air Cooled, Vertical PTO, 25.4 mm [1"] Shaft, Fuel Pump, Electric Start		Intek	Intek	Vanguard
Cylinder Configuration		Cast Iron Sleeve Single	Cast Iron Sleeve Single	Cast Iron Sleeve V Twin
Valve Type		Overhead	Overhead	Overhead
Displacement		500 cm <sup>3</sup>	500 cm <sup>3</sup>	570 cm <sup>3</sup>
Bore x Stroke		90.5 mm x 77.7 mm	90.5 mm x 77.7 mm	72 mm x 70 mm
Maximum Rated Power		11.6 kW [15.5 hp]	12.7 kW [17.0 hp]	13.4 kW [18.0 hp]
Maximum Rated Torque				39.3 N.m
Rated Engine Speed (No Load)	Maximum	3600 RPM	3600 RPM	3600 RPM
	Idle	1800 RPM	1800 RPM	1800 RPM
Alternator Capacity (12 Volt DC)		9 Amps	9 Amps	16 Amps
Dry Mass		32.6 kg	32.6 kg	33.3 kg

<b>Transaxle Design &amp; Performance</b>		<b>CR15.5-32H</b>	<b>CR17.0-40RB</b>	<b>CR18.0-40RB</b>
<b>Model &amp; Type:-</b> Hydrostatic Fluid Drive through Gear Transmission & Differential + Hydrostatic Bypass Disengagement + Internal Wet Disk Brake + External Reservoir Tank		Tuff Torq K46AE	Tuff Torq K46AE	Tuff Torq K46AE
Ground Speed (Infinitely Variable)	Forward	0-10.3 km/h	0-10.3 km/h	0-10.3 km/h
	Reverse	0-5.1 km/h	0-5.1 km/h	0-5.1 km/h
Lubrication Capacity:-		2.1 Litres	2.1 Litres	2.1 Litres
Dry Mass		12.5 kg	12.5 kg	12.5 kg

<b>Mowing Attachment Design &amp; Performance</b>		<b>CR15.5-32H</b>	<b>CR17.0-40RB</b>	<b>CR18.0-40RB</b>
<b>Model</b>		<b>9207B</b>	<b>7606J</b>	<b>7606J</b>
Type		Engine PTO Shaft Mounted Electromagnetic Clutch/Brake, Spring Tensioned, Single V Belt, 4 Parallel Link Points (2 Adjustable).		
1 Spindle, Right Side Discharge, 2 Swing Back Blades, Cut Width		805 mm		
2 Spindle Counter Rotating, Rear Discharge, 2 Cutter Bar Blades, Cut Width			1005 mm [40"]	1005 mm [40"]
Anti-scalp Roller		1 Rear Fixed	4 Adjustable	4 Adjustable
Cut Height Range (7 Position)		25-80 mm	25-80 mm	25-80 mm

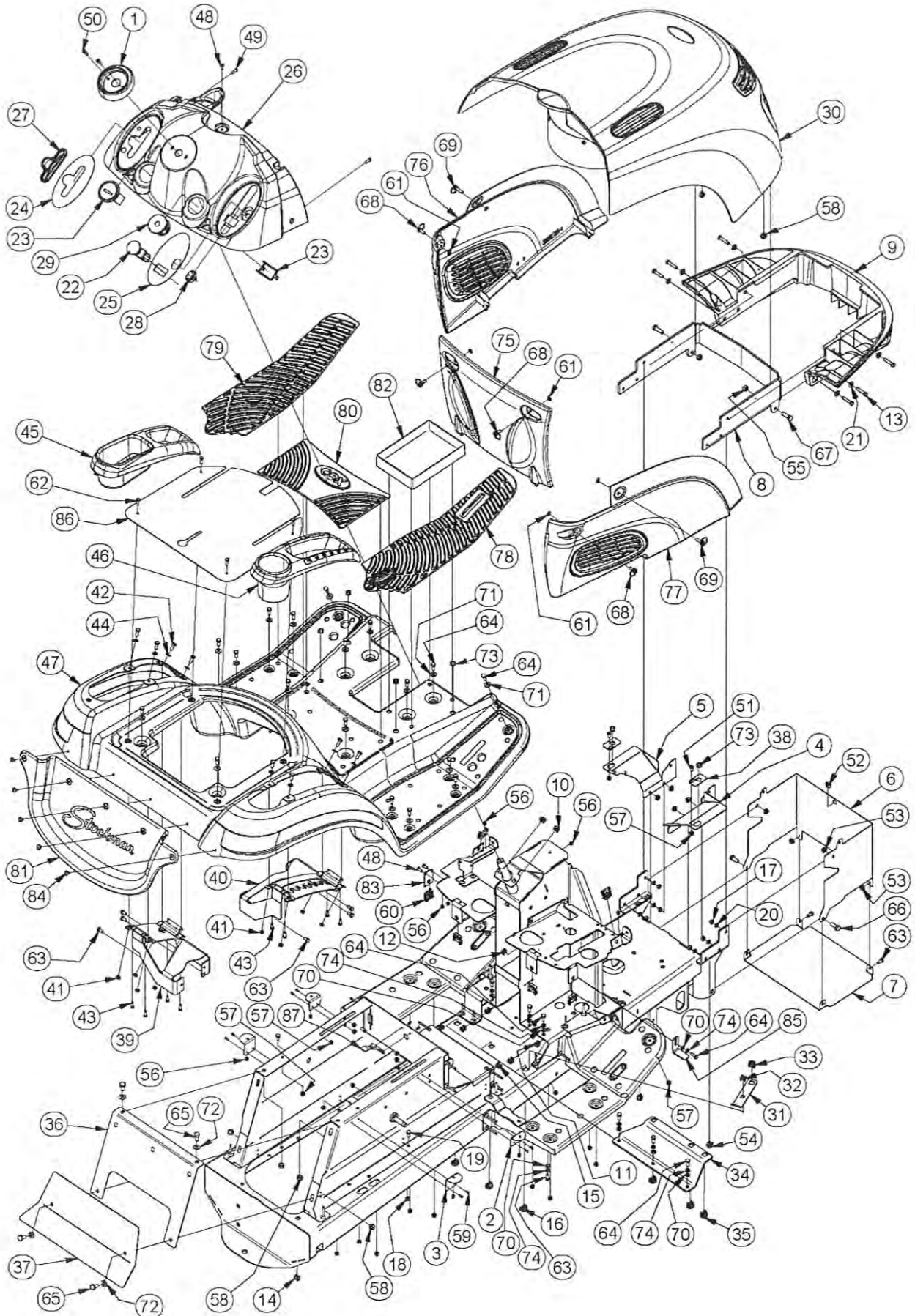
<b>Grass Catcher Design &amp; Performance</b>		<b>CR15.5-32H</b>	<b>CR17.0-40RB</b>	<b>CR18.0-40RB</b>
<b>Model</b>		<b>N/A</b>	<b>A10606J</b>	<b>A10606J</b>
Type:- Knit Bag with Internal Frame		<b>N/A</b>	External Top Cover, Tilt to Empty Retracting Lever	External Top Cover, Tilt to Empty Retracting Lever
Grass Capacity		<b>N/A</b>	200 Litres	200 Litres

<b>Miscellaneous</b>		<b>CR15.5-32H</b>	<b>CR17.0-40RB</b>	<b>CR18.0-40RB</b>
Minimum Uncut Grass Diameter (Left Turn)		1650 mm	1435 mm	1435 mm
Maximum Grass Cut per Hour		8200 m <sup>2</sup>	10300 m <sup>2</sup>	10300 m <sup>2</sup>
Minimum Turning Diameter (Inside Back Tyre)	Left Turn	1290 mm	1290 mm	1290 mm
	Right Turn	1250 mm	1250 mm	1250 mm
Battery (12 Volt Sealed)		MFU1	MFU1	MFU1
Fuse (12 Volt ) Blade Type		15 Amps	15 Amps	20 Amps
Headlamp Globe Maximum		35 Watts	35 Watts	35 Watts
Maximum Trailer Gross Weight		250 kg	250 kg	250 kg
Maximum Trailer Hitch Point Load		9 kg	9 kg	9 kg

<b>Maintenance</b>	<b>CR15.5-32H</b>	<b>CR17.0-40RB</b>	<b>CR18.0-40RB</b>
Fuel	Unleaded Petrol, Regular or Premium		
Engine Oil (above + 4°C)	SAE 30 A.P.I. "SF", "SG", "SH", "SJ"		
Transaxle Oil	SAE 10W-30 A.P.I. Class "CD"		
Spark Plug	Champion QC12YC Gap 0.76 mm	Champion QC12YC Gap 0.76 mm	Champion RC12YC Gap 0.76 mm
Mower Blades & Fasteners Cox Part No	SKIT54	KIT154	KIT154
Drive V Belt Cox Part No	V29K	V29K	V29K
Mower V Belt Cox Part No	V27	V27	V27

<b>Options</b>	<b>CR15.5-32H</b>	<b>CR17.0-40RB</b>	<b>CR18.0-40RB</b>
Mulching Kit Cox Part No	<b>C94</b>	N/A	N/A

Model A10206J:—BODY COMPONENTS SIDE DISCHARGE MOWING ATTACHMENT

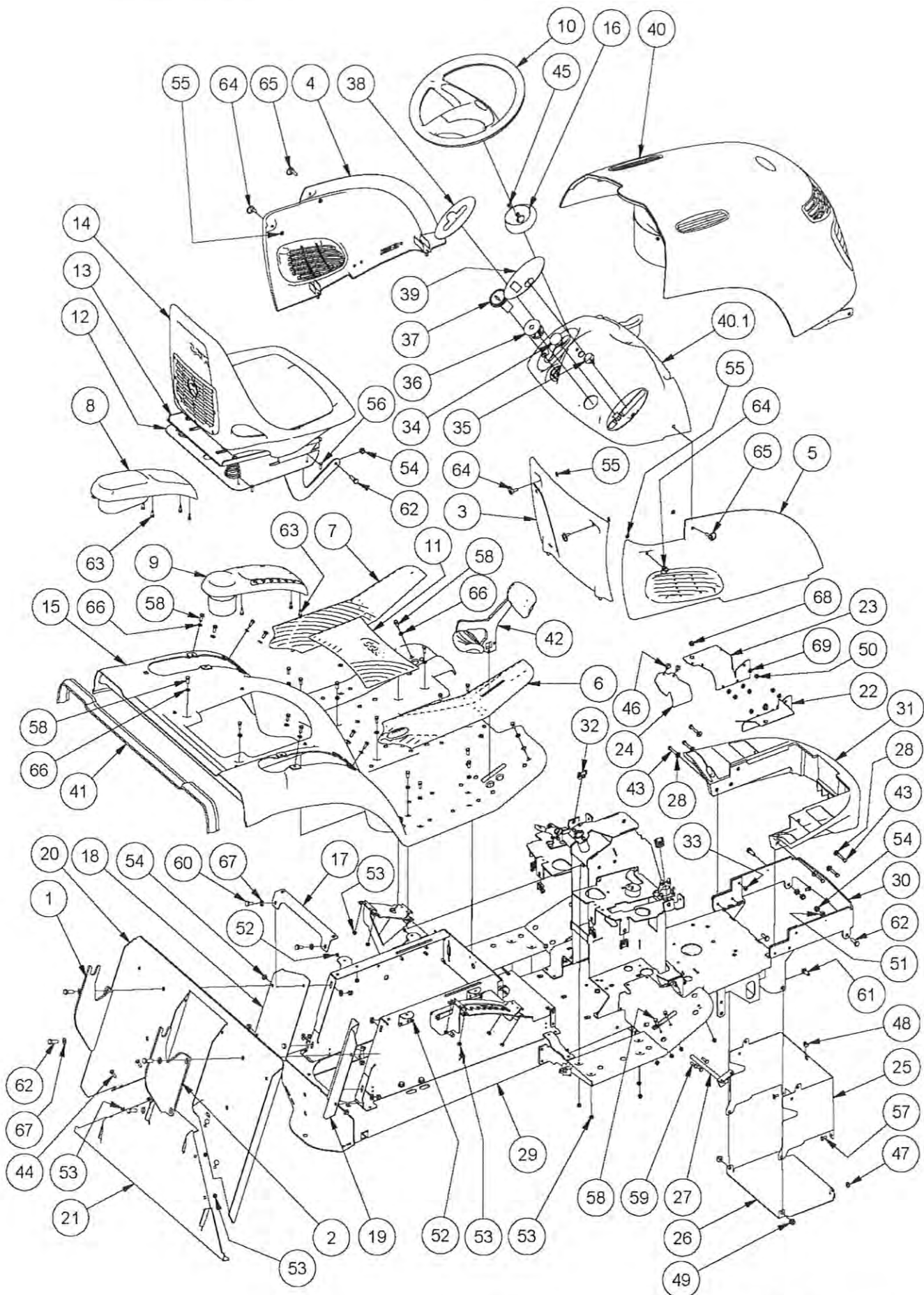




## Model A10206J:—BODY COMPONENTS SIDE DISCHARGE MOWING ATTACHMENT

ITEM	PART NUMBER	DESCRIPTION	QTY	ITEM	PART NUMBER	DESCRIPTION	QTY
1	A102005	Adaptor, Console-Steering Wheel	1	50	BHSSM5X20	Button Head Cap Screw	2
2	A102030Z	Bracket, Trans Cover Attachment	2	51	BHSSM6X12	Button Head Cap Screw	2
3	A102032Z	Bracket, Trans Cover Attachment	2	52	NCM6x2	Nut, Cage	1
4	A102045Z	Bracket/Shield, Heat, Right	1	53	NFM6	Nut	8
5	A102047Z	Bracket/Shield, Heat, Left	1	54	NFM8	Nut	2
6	A102067	Duct, Hot Air, Middle	1	55	NHM8	Nut	2
7	A102068	Deflector, Hot Air, Discharge	1	56	NM5NT	Nut	9
8	A102034G	Bar, Bumper, Grey	1	57	NM6NT	Nut	20
9	A102043	Bumper, Front	1	58	NM8NT	Nut	7
10	NCM5X2.5X9.5	Nut, Cage	2	59	PRO205	Rivet	10
11	NCM6X3.2	Nut, Cage	4	60	RECS6	Receptacle, 1/4turn, Slip On	1
12	NCM6x2.6x9.5	Nut, Cage	1	61	RETP6	Retainer, 1/4turn, Plastic	6
13	B0630M	Bolt	6	62	SH0516M	Screw	4
14	NCM6X3.2	Nut, Cage	1	63	SH0612M	Screw	9
15	NCM6x2.6x9.5	Nut, Cage	2	64	SH0616M	Screw	25
16	NCM8X3.2	Nut, Cage	3	65	SH0816M	Screw	4
17	NHM6	Nut	6	66	SH0820M	Screw	2
18	NM6NT	Nut	2	67	SH0825M	Screw	2
19	SH0612M	Screw	2	68	STDR614	Stud, 1/4turn, Ring	4
20	WS040816	Washer, Lock, Spring	6	69	STDR622	Stud, 1/4turn, Ring	2
21	90140	Bush, Bumper	6	70	W040818	Washer, Flat	8
22	A102136	Switch, PTO	1	71	W041018	Washer, Flat	18
23	AM211	Hour Meter	1	72	W081712	Washer, Flat	7
24	DEC182	Decal, Throttle Control	1	73	WG06x08	Grommet, Wiring, Rubber	6
25	DEC216	Decal, Dash, Pto Knob & Light	1	74	WS040816	Washer, Lock, Spring	8
26	90032	Dashboard Steering Column Cove	1	75	90033	Battery Cover	1
27	90064	Rubber Dash Insert, Throttle	1	76	90034	Left Side Cover	1
28	90128	Switch, Light	1	77	90035	Right Side Cover	1
29	90129	Ignition Switch	1	78	90045	Right Foot Mat	1
30	A102116	Sub-Assy, Bonnet, Inc Extension	1	79	90046	Left Foot Mat	1
31	A102133Z	Plate, Nut	1	80	90072	Centre Foot Mat	1
32	NCM6X3.2	Nut, Cage	1	81	90075	Mud Flap	1
33	NCM8X3.2	Nut, Cage	1	82	90076	Battery Spill Mat	1
34	A102131G	Brace, Console	1	83	90096	Console Lug	1
35	NCM8X4.75	Nut, Cage	3	84	90132	Rivet, Plastic Grip Range 4.6m	5
36	A102153G	Cover, Upper, Grey	1	85	90139	Clamp, Battery	1
37	A102155G	Cover, Lower, Grey	1	86	90247	Cover, Inspection, Top, Grey	1
38	A102161	Adjuster, Cover, Side	2	87	90251	Clip, Cover, Inspection, Top	1
39	A102036Z	Bracket, Handle, Park Brake	1				
40	A102038Z	Bracket, Adjust, Height, Cut	1				
41	NM6NT	Nut	8				
42	SH0616M	Screw	8				
43	SPPK5X16	Screw, Pan	8				
44	W040818	Washer, Flat	8				
45	90047	Hand Brake Shroud	1				
46	90048	Height Adjustment Shroud	1				
47	90205	Pan, Foot, Plastic, Red	1				
48	BHSSM5X12	Button Head Cap Screw	3				
49	BHSSM5X16	Button Head Cap Screw	2				

# Model A10206J:—BODY COMPONENTS REAR DISCHARGE MOWING ATTACHMENT

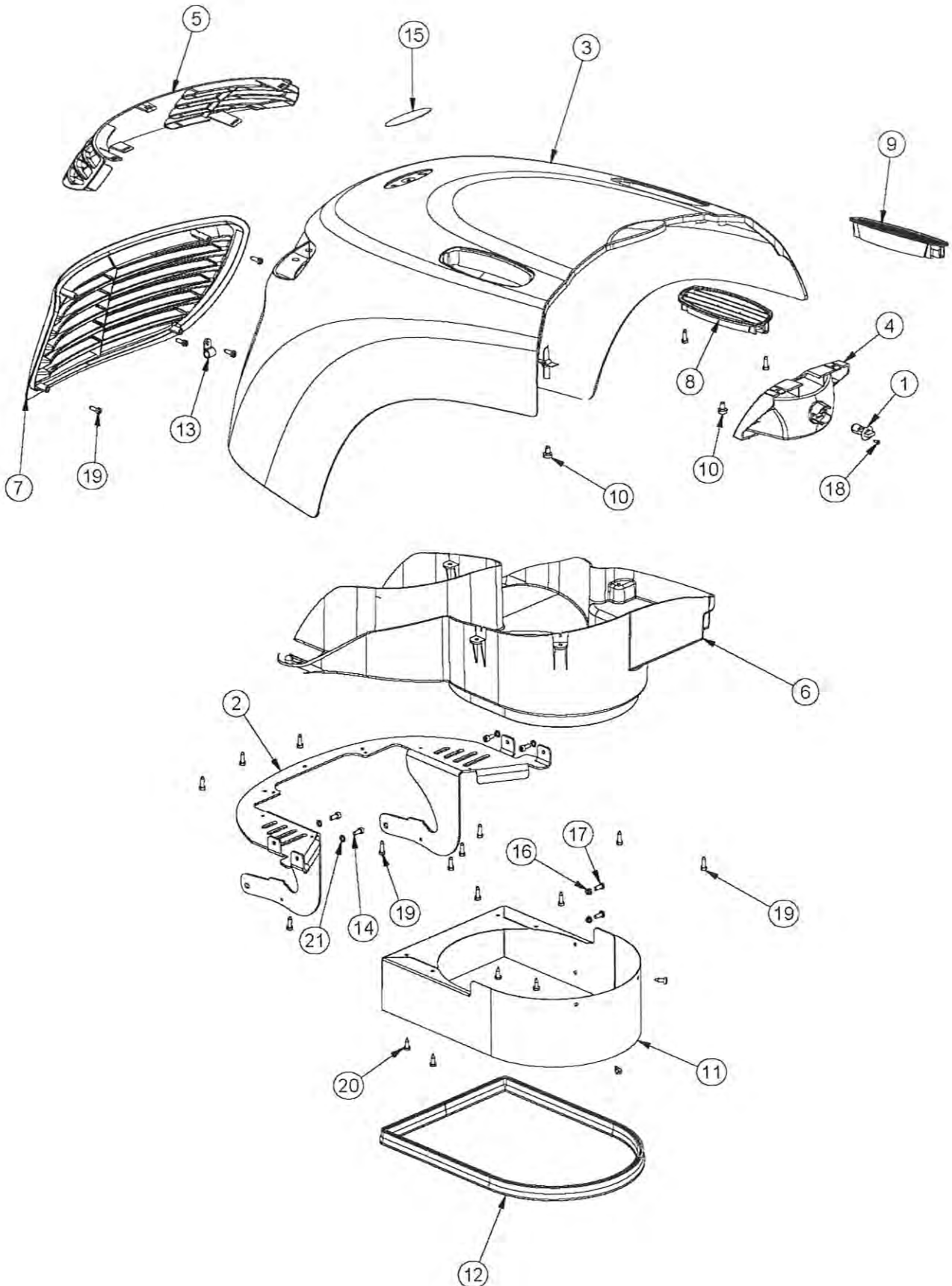


## Model A10206J:—BODY COMPONENTS REAR DISCHARGE MOWING ATTACHMENT

Item No	Part No	Description	Qty	Item No	Part No	Description	Qty
1	1414806G	Bracket, Catcher, Left	1	39	DEC216	Decal, Dash, PTO Knob & Light	1
2	1414906G	Bracket, Catcher, Right	1	40	A102116	Sub-Assy, Bonnet, 17.0HP	1
3	90033	Battery Cover	1		A102117	Sub-Assy, Bonnet, 18.0HP	
4	90034	Left Side Cover	1	40.1	90032	Dashboard Str Column Cover	1
5	90035	Right Side Cover	1	41	A102128	Seal, Mudguard, Catcher Cover	1
6	90045	Right Floor Mat	1	42	A102141G	Pedal, Drive	1
7	90046	Left Floor Mat	1	43	B0635M	Bolt	6
8	90047	Hand Brake Shroud	1	44	BCHSNM6X201	Bolt	4
9	90048	Height Adjustment Shroud	1	45	BHSSM5X12	Screw	9
10	90056	Sub-Assy, Steering Wheel	1	46	BLDR-08125XG	Rivet	2
11	90072	Centre Floor Mat	1	47	NFM6	Nut	1
12	90247	Cover, Inspection, Top	1	48	NCM6X2	Nut	3
13	90248	Sub-Assy, Mechanism, Slide, Seat	1	49	NFM8	Nut	2
14	90250	Sub-Assy, Seat	1	50	NHM6	Nut	6
15	A102002	Pan, Foot	1	51	NHM8	Nut	2
16	A102005	Adaptor, Console— Steering Wheel	1	52	NM5NT	Nut	8
17	A102024Z	Brace, Top	1	53	NM6NT	Nut	29
18	A102026G	Bracket, Catcher Panel, Left	1	54	NM8NT	Nut	18
19	A102028G	Bracket, Catcher Panel, Right	1	55	RETP6	Retainer	6
20	A102040G	Wall, Upper	1	56	SH0516M	Screw	4
21	A102042G	Wall, Lower	1	57	SH0612M	Screw	5
22	A102045Z	Bracket/Shield, Heat, Right	1	58	SH0616M	Screw	30
23	A102047Z	Bracket/Shield, Heat, Left	1	59	SH0620M	Screw	3
	A102161	Adjuster, Cover, Side	2	60	SH0816M	Screw	4
	NFM6	Nut, Adjuster, Cover, Side	4	61	SH0820M	Screw	10
	BHSSM6X12	Screw	4	62	SH0825M	Screw	8
24	A102049Z	Extension, Shield, Heat, Left	1	63	SPPK5X16	Screw	8
25	A102067	Duct, Hot Air, Middle	1	64	STDR614	Stud	4
26	A102068	Deflector, Hot Air, Discharge	1	65	STDR622	Stud	2
27	A102082Z	Pin, Pivot, Bracket Head	1	66	W06MN	Washer	28
28	90140	Bush, Bumper	6		W041018	Washer, Pan Bolt	18
29	A102008G	Platform, Hydro-Drive	1	67	W081712	Washer	10
30	A102034G	Bar, Bumper	1	68	WG06X08	Grommet, Wiring	6
31	A102043	Bumper, Front	1	69	WS06M	Washer, Spring	9
32	RECS6	Receptacle	5				
33	NHM6	Nut	6				
34	90064	Rubber Dash Insert, Throttle	1				
35	90128	Switch, Light	1				
36	90129	Ignition Switch	1				
37	AM211	Hour Meter	1				
38	DEC182	Decal, Throttle Control	1				



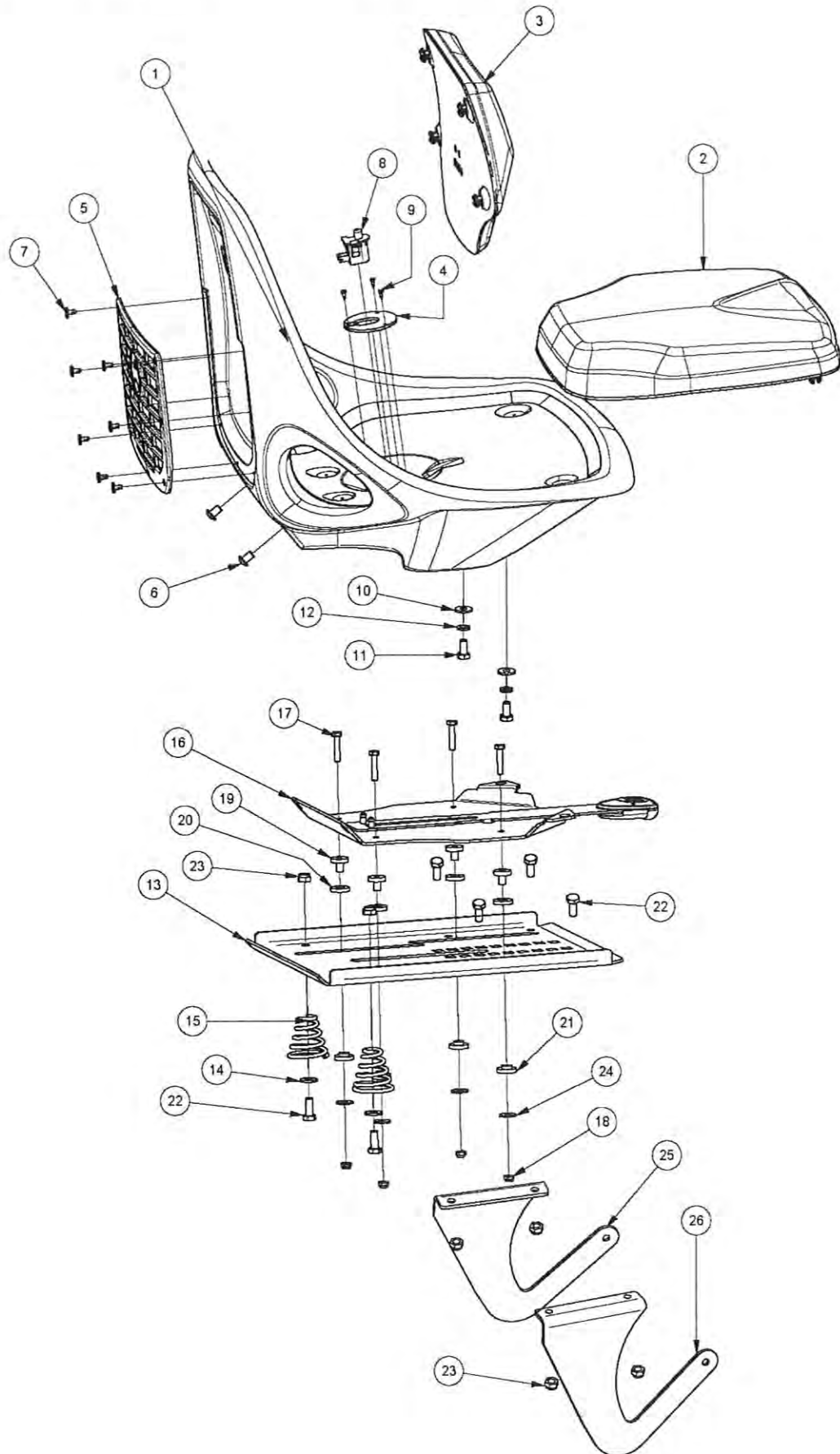
# Model A10206J:—BONNET COMPONENTS



## Model A10206J:—BONNET COMPONENTS

ITEM	PART NUMBER	DESCRIPTION	QTY
1	15132	Bulb	1
2	9002107A	Bracket, Hinge, Bonnet,	1
3	90031	Bonnet	1
4	90038	Reflector, Headlight	1
5	90039	Lens, Headlight/Grille, Air Duct	1
6	90040	Air Duct Intake	1
7	90041	Grille	1
8	90042	Left Bonnet Vent	1
9	90043	Right Bonnet Vent	1
10	90130	Buffer, Rubber	2
11	A102072G	Extension, Duct, Cooling Air	1
12	A102095	Seal, Air Duct-Engine (18.0hp Only)	1
13	AM096	Clip "P"	1
14	CHSSM5X12	Screw, Cap	4
15	DEC180	Badge, Bonnet New Era	1
16	NM5NT	Nut	2
17	SH0512M	Screw	2
18	SPPK3X8	Screw, Pan	1
19	SPPK5X16	Pt Screw	18
20	ST1010	Screw, Self Tapping	6
21	WS03	Washer, Star, Internal Shakeproof	4

# Model A10206J:—SEAT COMPONENTS

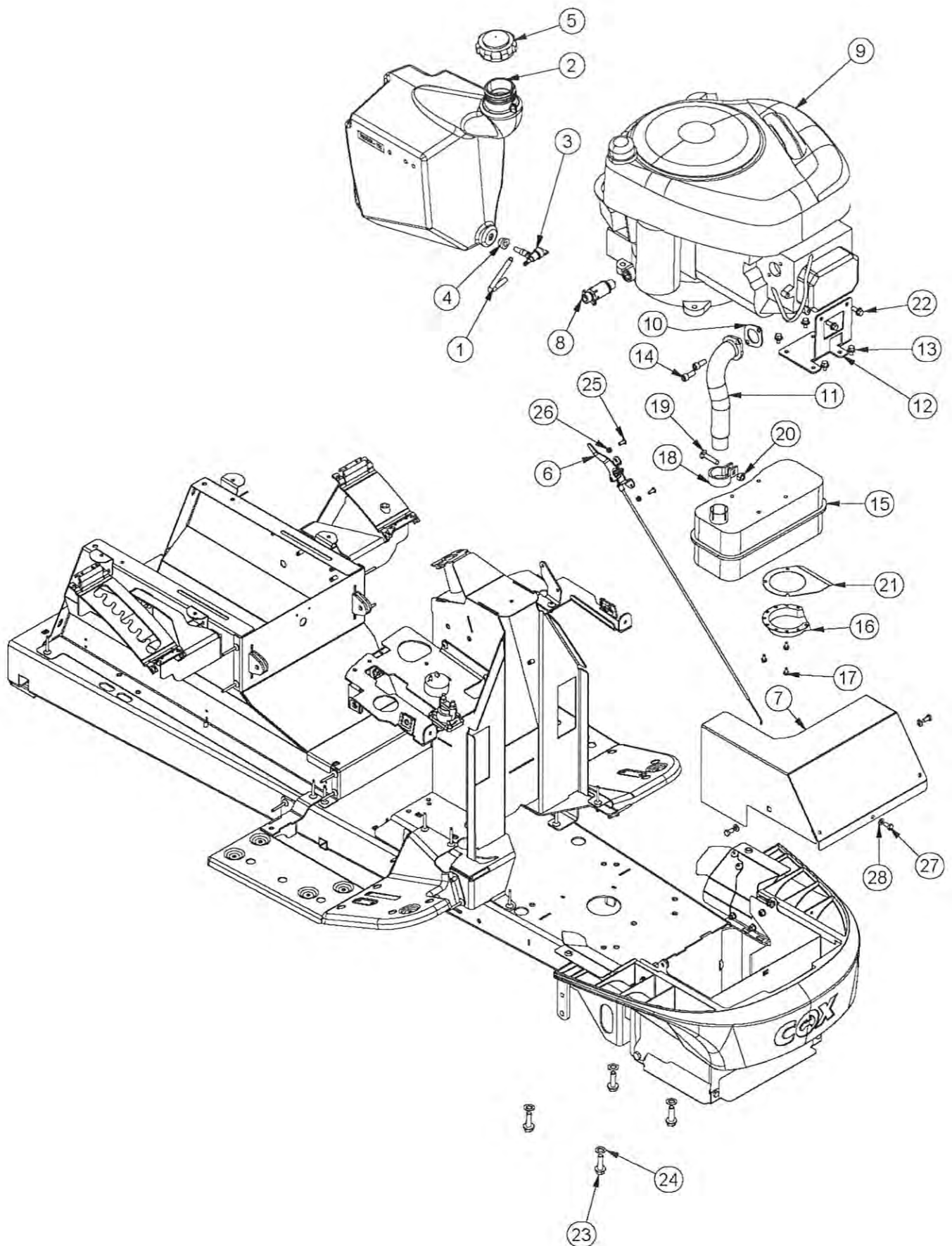




## Model A10206J:—SEAT COMPONENTS

ITEM	PART NUMBER	DESCRIPTION	QTY
1	90050	Seat Base	1
2	90089	Seat Base Cushion	1
3	90016	Seat Backrest Cushion	1
4	90112	Seat Switch Mounting Plate	1
5	90052	Cargo Net	1
6	BHSSM8X12	Screw	2
7	90132	Rivet, Plastic Grip	7
8	SP1PNC5M	Switch	1
9	SPST04CX0.37	Screw	3
10	W05M202	Washer	2
11	SH0816M	Screw	2
12	WS050216	Washer	2
13	90244	Pan, Slide, Seat	1
14	W05M202	Washer	2
15	13060	Seat Spring	2
	14128	Cap, Seat Spring	2
16	90249	Sub-Assembly, Adjust, Slide	1
	90118	Hand Grip	
17	B0630M	Bolt	4
18	NM6NT	Nut	4
19	90122	Bush, Seat Slider	4
20	90123	Spacer, Nylon	4
21	90124	Bush, Seat Slider	4
22	SH0820M	Screw	6
23	NM8NT	Nut	6
24	W041216	Washer	4
25	90242	Bracket, Hinge, Seat, Left	1
26	90243	Bracket, Hinge, Seat, Right	1

Model A10206J :—ENGINE ANCILLARY COMPONENTS (15.5HP & 17HP Only)

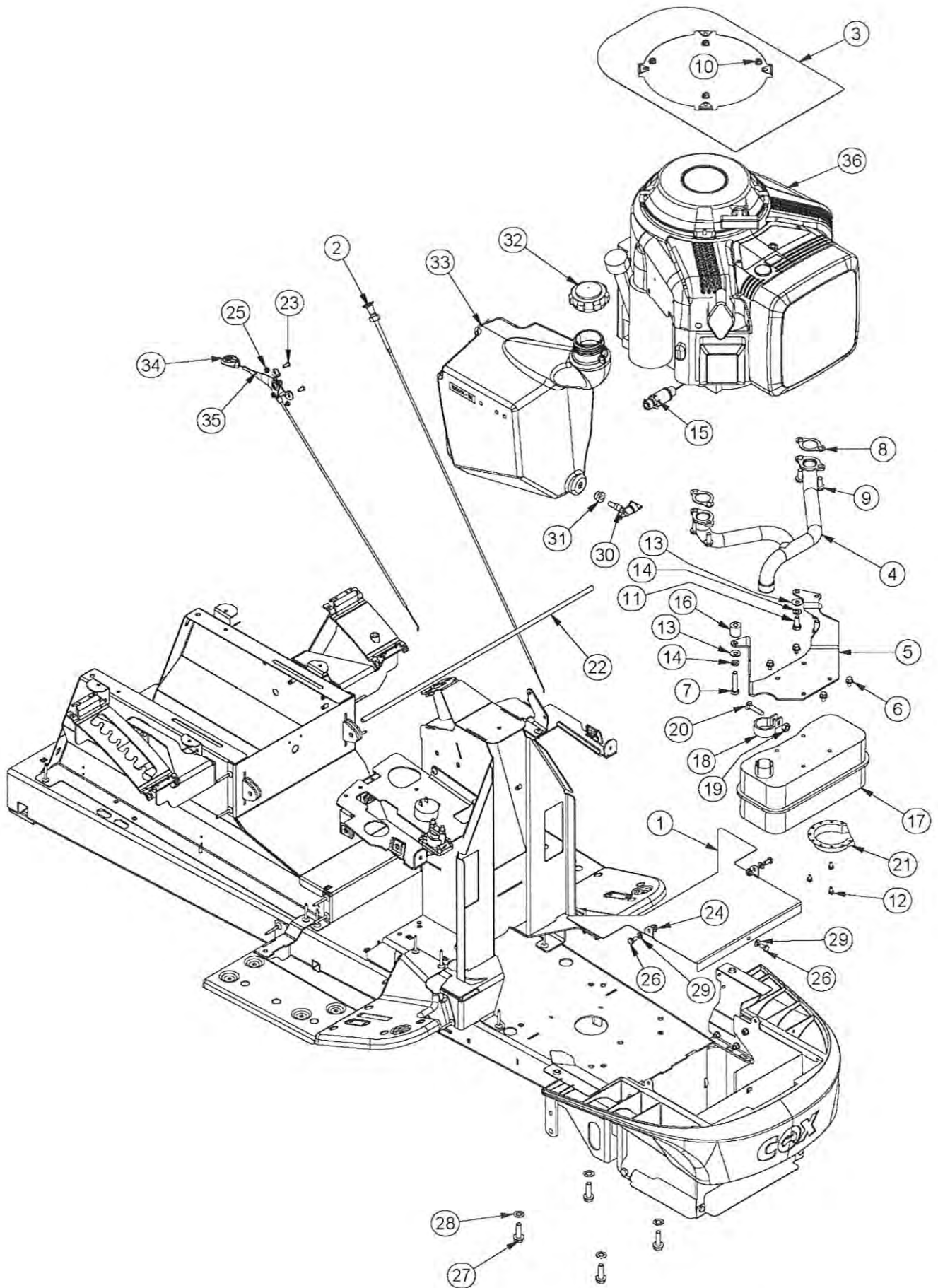


Model A10206J :—ENGINE ANCILLARY COMPONENTS (15.5HP &17HP Only)

ITEM	PART NUMBER	DESCRIPTION	QTY
1	14107	Fuel Hose 180 L	1
2	90068	Fuel Tank	1
3	AM293	Petrol Tap	1
4	AM294	Grommet	1
5	CF01	Cap, Fuel, Vented	1
6	A102144	Control, Throttle	1
7	A102069	Deflector, Hot Air, Top	1
8	13206	Valve, Drain, Oil	1
9		Engine	1
10		Gasket B&S	1
11	15136	Pipe, Exhaust, 16.0b, Model 73, Crpl	1
12	15137	Bracket, Muffler, 16.0b, Model 73, Znpl	1
13		Screw	4
14	CHSS0512C	Screw	2
15		Muffler	1
16		Deflector, Muffler, B&S 222573	1
17		Screw	3
18		Clamp, Muffler, B&S 223434	1
19		Bolt, B&S 93877	1
20		Nut, B&S 93203	1
21		Deflector, Exhaust Gas	1
22		Screw	2
23	STF0618	Screw	4
24	W06S	Washer, Lock, Int Tooth	4
25	BHSSM5X12	Button Head Cap Screw	2
26	NM5NT	Nut	2
27	SH0612M	Screw	3
28	WS06M	Washer, Spring	3



# Model A10206J :—ENGINE ANCILLARY COMPONENTS (18HP Only)



## Model A10206J :—ENGINE ANCILLARY COMPONENTS (18HP Only)

ITEM	PART NUMBER	DESCRIPTION	QTY
1	A102070	Deflector, Hot Air, Top, 18.0b&S	1
2	13104	Control, Choke, 18.0b	1
3	A102074B	Seat, Duct, Cooling Air, 18.0 B&S, Black	1
4	A102087C	Manifold, Exhaust, 18.0b	1
5	A102089Z	Bracket, Muffler, 18.0b	1
6		Screw	4
7	B0840M	Bolt	1
8		18hp Exhaust Gasket	2
9		Exhaust Flange Bolt	4
10		Nut	4
11	SH0820M	Screw	2
12		Screw	3
13	W051218	Washer	3
14	WS050216	Washer, Lock, Spring	3
15	13206	Valve, Drain, Oil	1
16	15140	Spacer	1
17		Muffler	1
18		Clamp, Muffler, B&S 223434	1
19		Nut, Hex Mach, B&S 93203	1
20		Bolt, Round Head Square Neck, B&S 93877	1
21		Deflector, Muffler, B&S 222573	1
22	231136	Fuel Line, 18hp	1
23	BHSSM5X12	Screw	2
24	NFM6	Nut	2
25	NM5NT	Nut	2
26	SH0612M	Screw	3
27	STF0618	Screw	4
28	W06S	Washer, Lock, Int Tooth	4
29	WS06M	Washer, Spring	3
30	AM293	Petrol Tap	1
31	AM294	Grommet	1
32	CF01	Cap, Fuel, Vented	1
33	90068	Fuel Tank	1
34	90066	Throttle Control Handle	1
35	90180	Control, Throttle	1
36		Engine 18HP B&S	1

# Model A10206J :—ELECTRICAL COMPONENTS (15.5HP & 17HP Only)

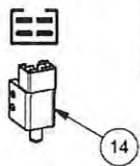
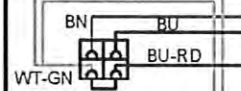
## GLOSSARY OF CABLE COLOURS

CODE	COLOUR
BK	BLACK
BU	BLUE
BU-RD	BLUE-RED
BU-WT	BLUE-WHITE
BN	BROWN
GY	GREY
OG	ORANGE
PK	PINK
PL	PURPLE
RD	RED
RD-WT	RED-WHITE
GN-WT	GREEN-WHITE
WT-GN	WHITE-GREEN
WT	WHITE

### CATCHER SWITCH ITEM 17

POSITION	TERM	TERM
NORMAL		
DEFORMED		

CHASSIS GROUND



### SEAT SWITCH ITEM 5

POSITION	NC	NC
NORMAL		
DEPRESSED		

### LIGHT SWITCH ITEM 4

POSITION	OFF	ON
SUPPLY		
LOAD		
L.E.D.		
EARTH		

### CLUCH/BRAKE SWITCH ITEM 14

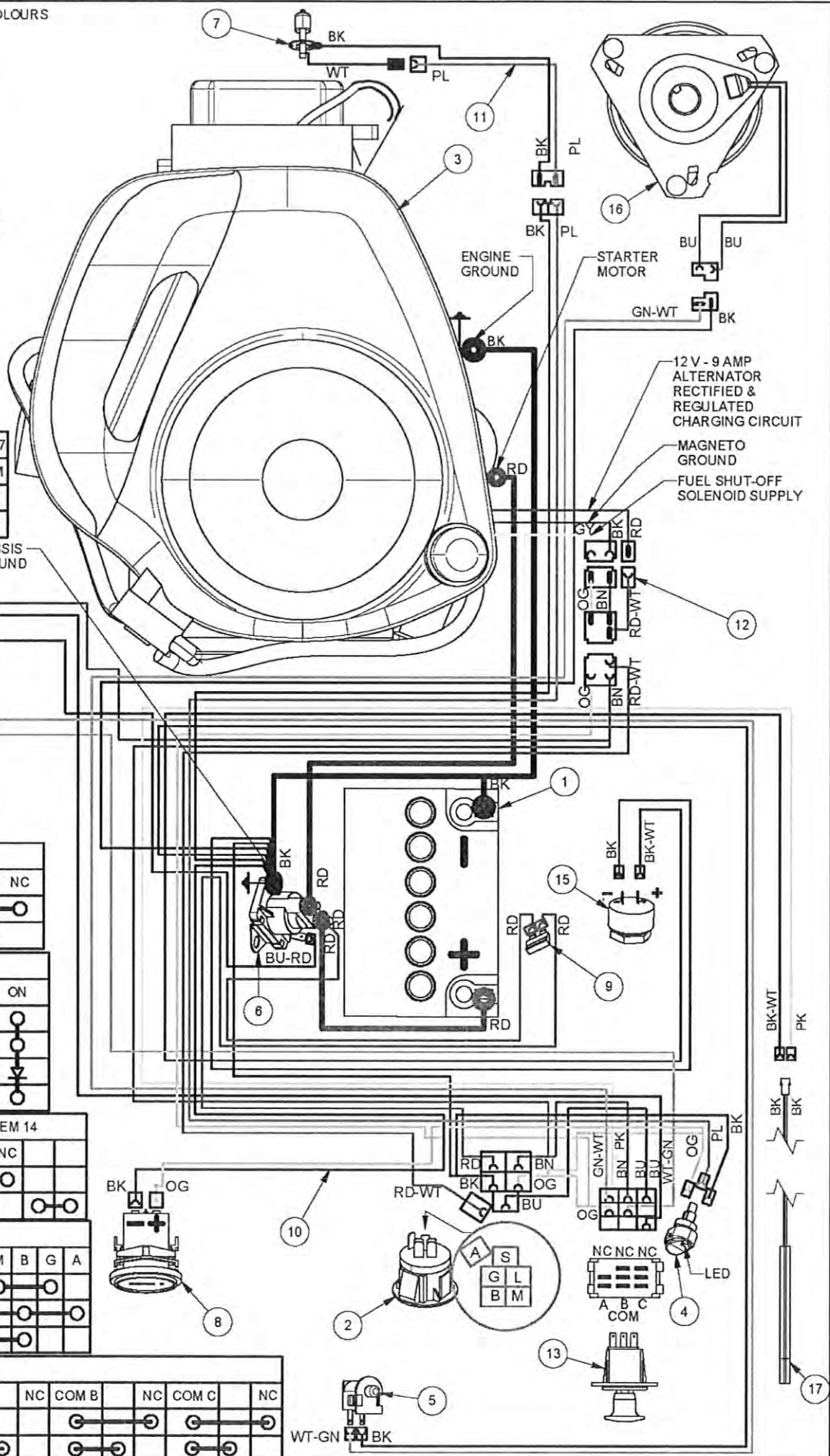
POSITION	NC	NC
NORMAL		
DEPRESSED		

### IGNITION SWITCH ITEM 2

POSITION	S	L	M	B	G	A
OFF						
ON						
START						

### PTO SWITCH ITEM 13

POSITION	COM A	NC	COM B	NC	COM C	NC
DEPRESSED						
RAISED						

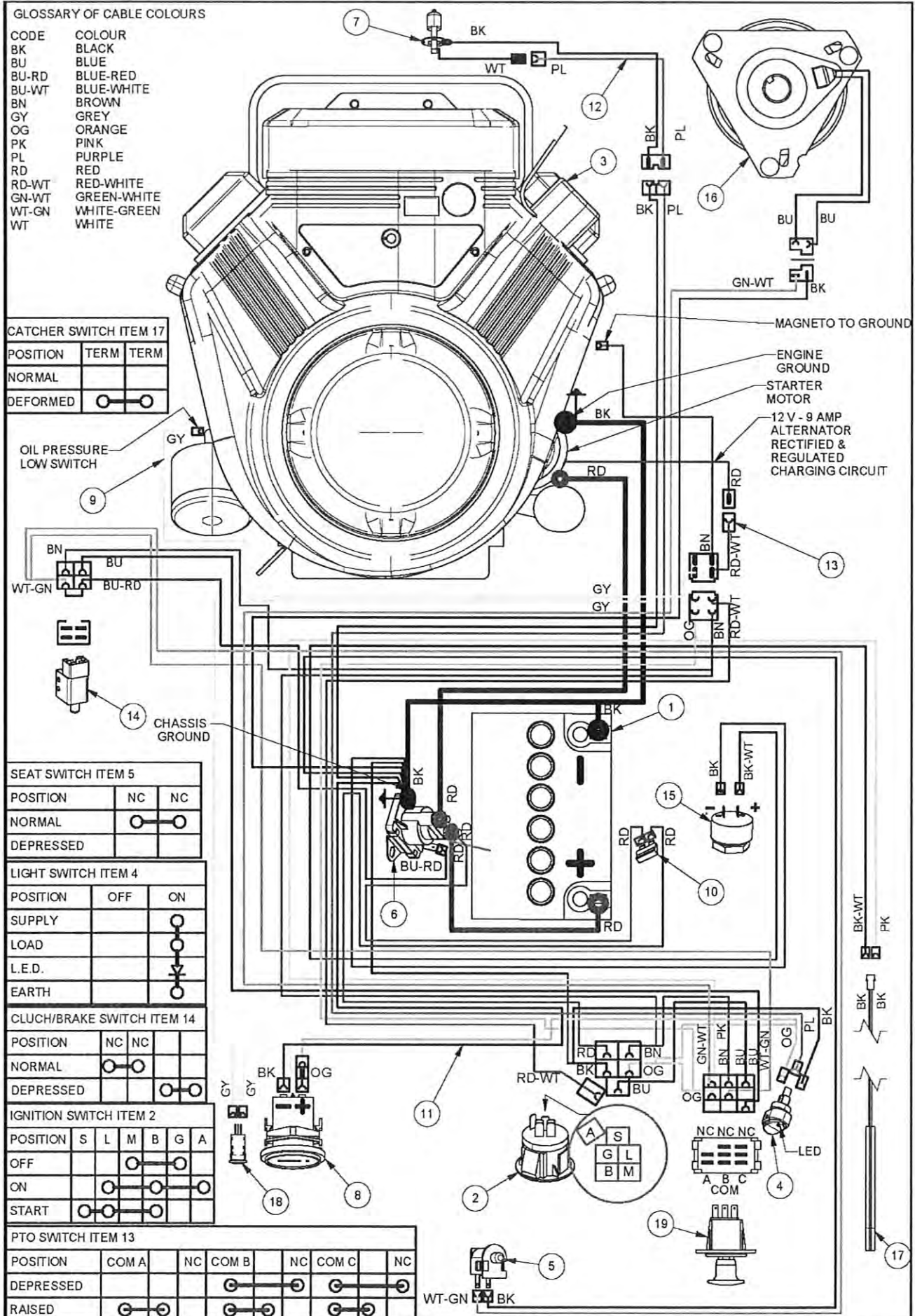




Model A10206J :—ELECTRICAL COMPONENTS (15.5HP & 17HP Only)

ITEM	PART NUMBER	DESCRIPTION	QTY
1		Battery	1
2	90129	Switch, Ign	1
	90134	Key, Switch, Ign	1
3		Engine	1
4	90128	Switch, Rocker	1
5	SP1PNCMS	Switch, Plunger	1
6	AM159	Solenoid	1
	SH0616M	Bolt, Solenoid	2
	NM6NT	Nut, Solenoid	2
7	15132	Bulb	1
8	AM211	Hourmeter	1
9		Fuse, Blade Type 15A, Blue	1
10	A102094	Harness, Wiring, Main	1
11	90138	Harness, Wiring, Headlight	1
12	13112	Harness, Wiring, Engine	1
13	A102136	Switch, PTO	1
14	14019	Switch, Clutch/Brake	1
	14020	Cover, Switch, Clutch/Brake	1
	SPM5X20	Screw, Switch, Clutch/Brake	2
	NM5NT	Nut, Switch, Clutch/Brake	2
15	A102093	Alarm, Grass Catcher Full (Rear Bag Catcher Only)	1
16	232201	Clutch/Brake, PTO, Electromagnetic	1
17	A102092	Switch, Ribbon, Grass Catcher Full (Rear Bag Catcher Only)	1

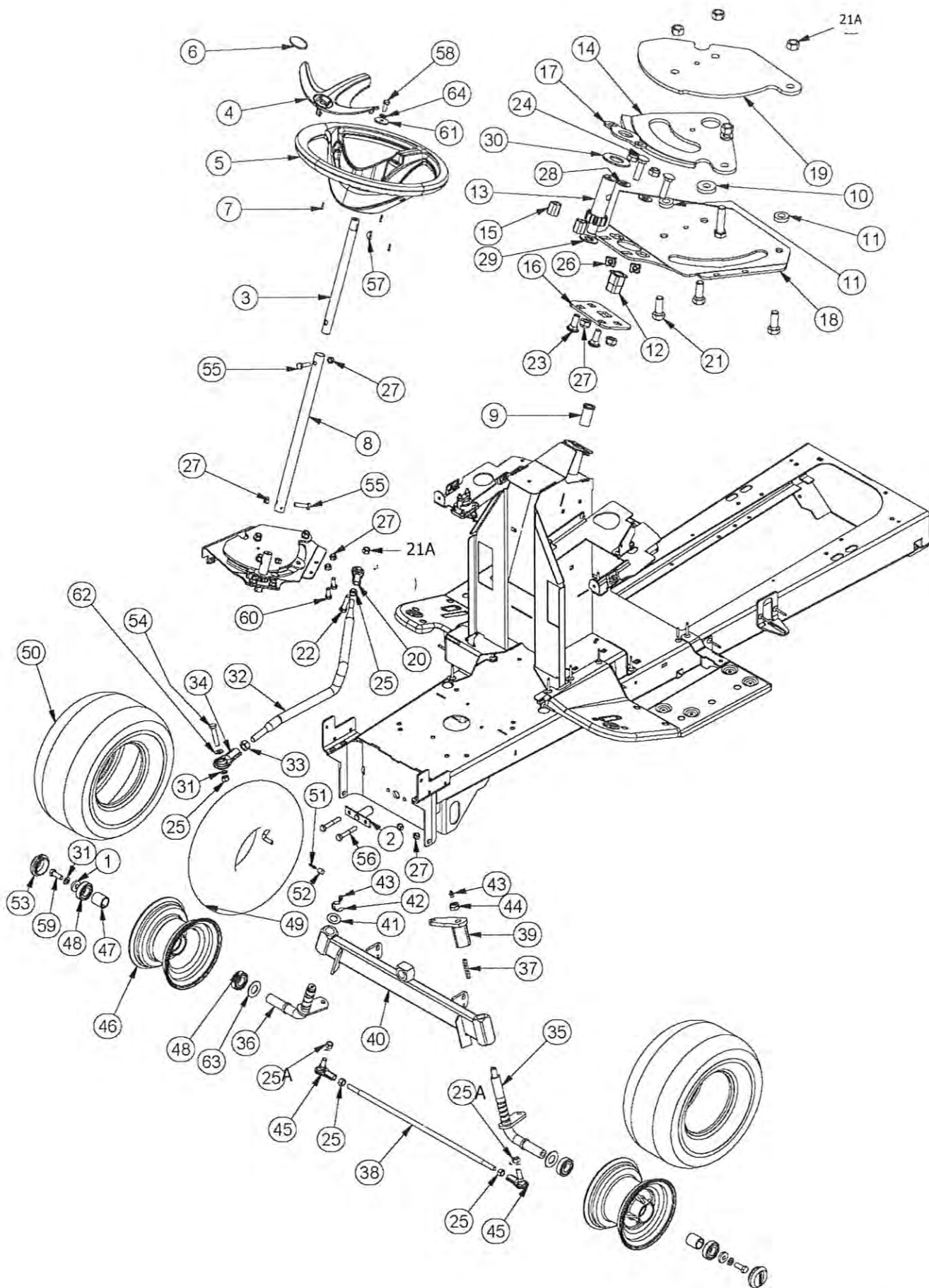
# Model A10206J :—ELECTRICAL COMPONENTS (18HP Only)



Model A10206J :—ELECTRICAL COMPONENTS (18HP Only)

ITEM	PART NUMBER	DESCRIPTION	QTY
1		Battery	1
2	90129	Switch, Ign	1
	90134	Key, Ign Switch	1
3		Engine	1
4	90128	Switch, Rocker	1
5	SP1PNCSM	Switch, Plunger	1
6	AM159	Solenoid	1
	SH0616M	Bolt, Solenoid	2
	NM6NT	Nut, Solenoid	2
7	15132	Bulb	1
8	AM211	Hourmeter	1
9	15036	Harness, Wiring, Oil Pressure Lamp	1
10		Fuse, Blade Type 20A, Blue	1
11	A102094	Harness, Wiring, Main	1
12	90138	Harness, Wiring, Headlight	1
13	13112	Harness, Wiring, Engine	1
14	14019	Switch, Clutch/Brake	1
	14020	Cover, Switch, Clutch/Brake	1
	SPM5X20	Screw, Switch, Clutch/Brake	2
	NM5NT	Nut, Switch, Clutch/Brake	2
15	A102093	Alarm, Grass Catcher Full	1
16	232201	Clutch/Brake, PTO, Electromagnetic	1
17	A102092	Switch, Ribbon, Grass Catcher Full	1
18	AM289	Oil Pressure Light	1
19	A102136	Switch, PTO	1

# Model A10206J:- STEERING COMPONENTS

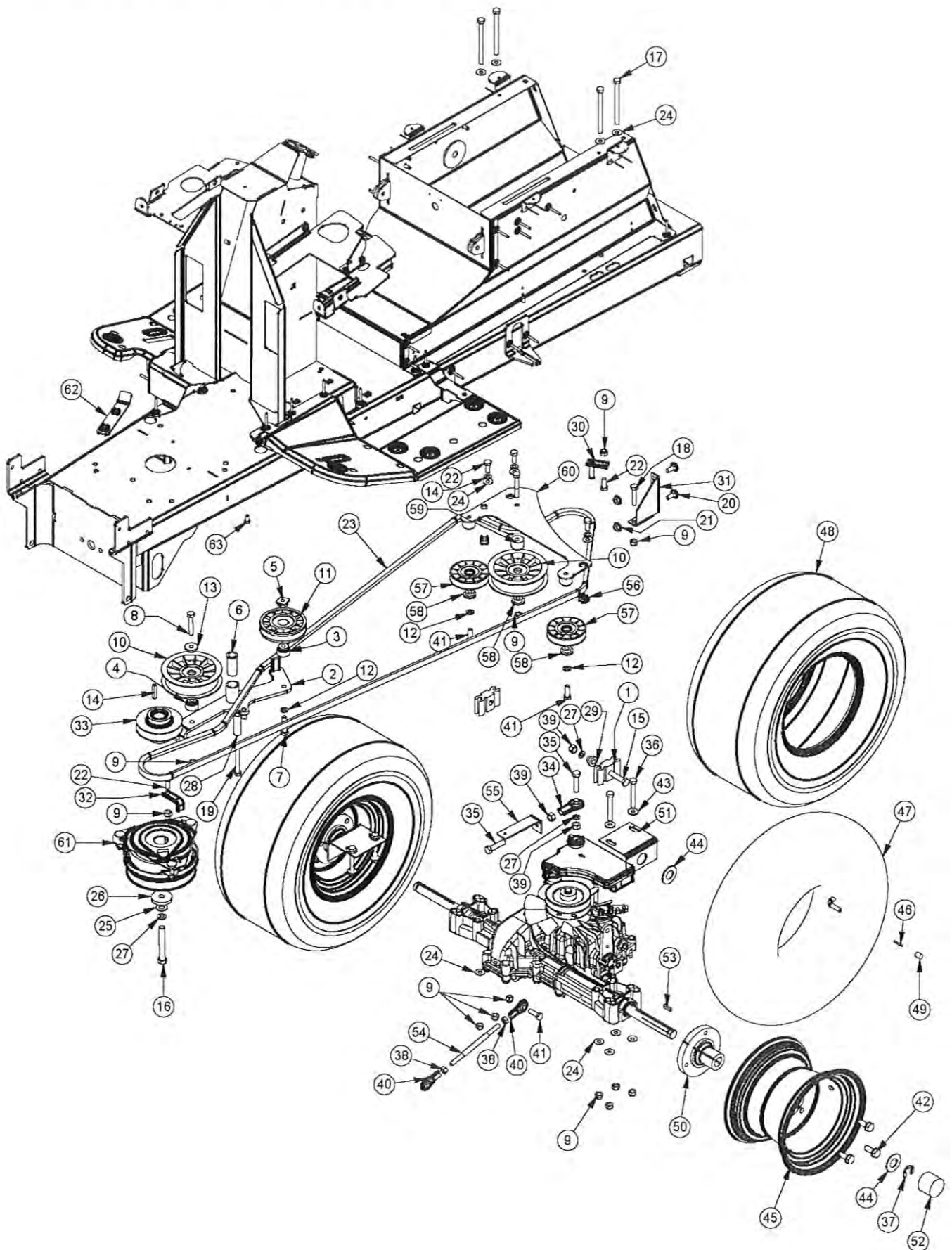




## Model A10206J:- STEERING COMPONENTS

ITEM	PART NUMBER	DESCRIPTION	QTY
1	13107	Washer	2
2	13242	Pin, Pivot, Front Axle	1
3	14162	Shaft, Steering	1
4	90057	Steering Wheel Cover	1
5	90058	Wheel, Steering, New Era	1
6	DEC177	Badge, Steering Wheel	1
7	SPPK3x14	Screw, Pan	3
8	A102050Z	Tube, Steering	1
9	13012	Bush, Flanged, Nylon	1
10	14012	Pivot, Gear Sector	1
11	14017	Stop, Gear Sector	2
12	14035	Bush, Square	1
13	14057	Pinion	1
14	14058	Sector, Gear	1
15	A102052Z	Pillar, Restraint, Pinion	2
16	A102054Z	Mount, Adjust, Bush	1
17	A102056Z	Retainer, Pinion	1
18	A102058Z	Bracket, Sector	1
19	A102060Z	Retainer, Sector	1
20	AM337	End, Rod	1
21	SH0616C	Bolt	3
21A	NF06CN	Nut	4
22	B0624C	Bolt	1
23	BCHSNM8X20	Bolt, Cup, Sq Neck	2
24	BCHSNM8X30	Bolt, Cup, Sq Neck	2
25	N06F	Nut	8
25A	N06FC	Nut	2
26	NCM6X3.2	Nut, Cage	2
27	NM8NT	Nut	10
28	W051216	Washer	2
29	W081616	Washer	1
30	W122414	Washer	1
31	WS06081.5	Washer, Lock, Spring	3
32	A102061Z	Rod, Arm, Steering	1
33	N08F	Nut	1
34	RE12.7-INT	Rod End	1
35	14005	Axle, Stub, Left	1
36	14006	Axle, Stub, Right	1
37	14008	Key, Steering Arm	1
38	14009	Rod, Steering Tie	1
39	A102063G	Arm, Steering	1
40	A102064G	Beam, Axle, Front	1
41	AM336	Washer, Sealing, Shaft	1
42	C02	Circlip	1
43	GNTF3	Nipple, Grease	2
44	NM12NT	Nut	1
45	RE38INTSTUD	End, Rod	2
46	13009	Rim	2
47	AM021	Sleeve, Spacer, Bearing	2
48	BB204212N	Bearing, Ball	4
49	STU650X6	Tube	2
50	TT650X6	Tyre & Tube	2
53	AM07099C	Cap, Hub	2
54	B0628F	Bolt	1
55	B0830M	Bolt	2
56	B0850M	Bolt	2
57	SK09	Key, Woodruff	1
58	SH0512F	Screw	1
59	SH0616C	Screw	2
60	SH0820M	Screw	2
61	W052003	Washer	1
62	W061216	Washer	2
63	W203902	Washer	2
64	WS050216	Washer, Lock, Spring	1

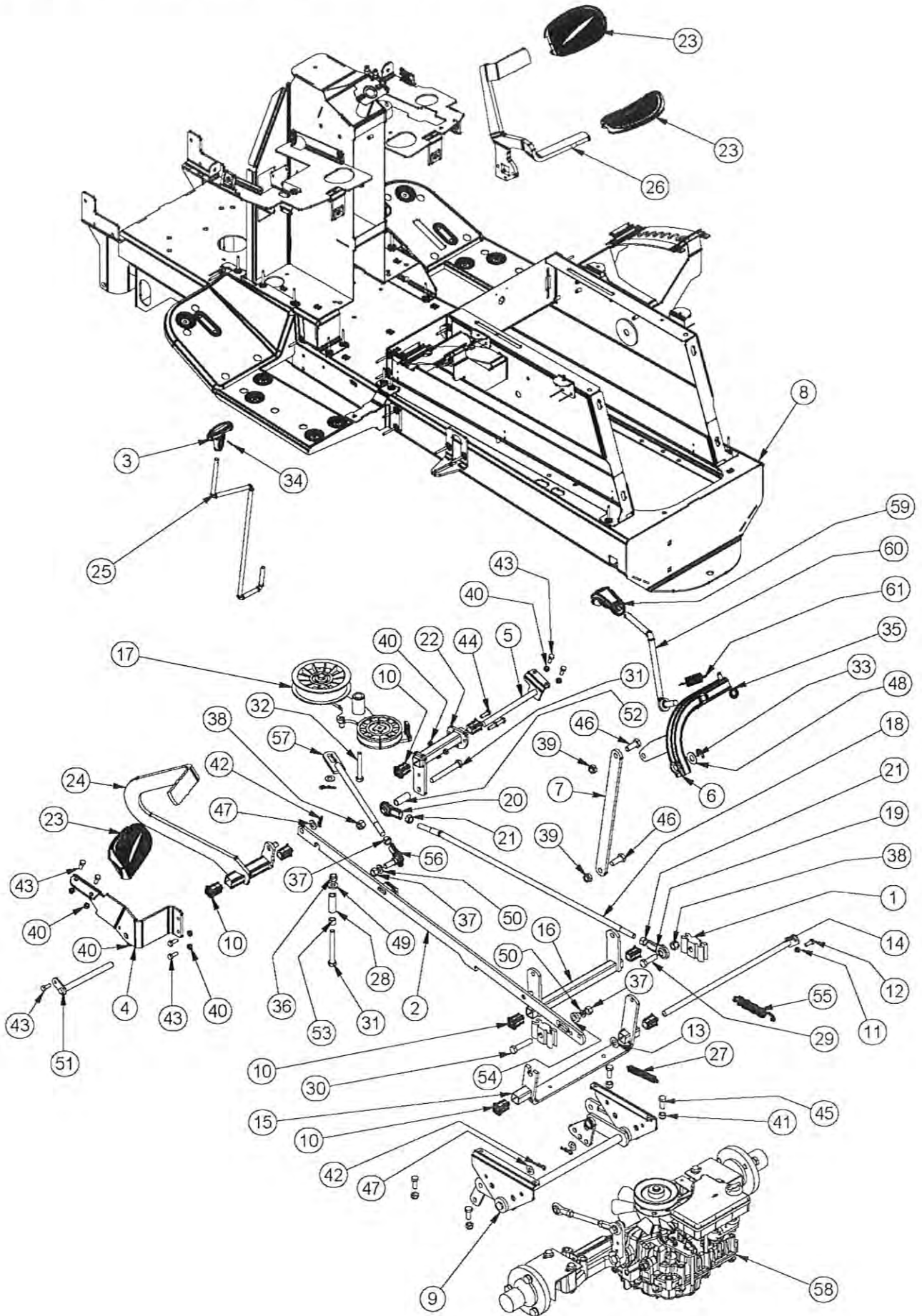
# Model A10206J:- DRIVE COMPONENTS



## Model A10206J:- DRIVE COMPONENTS

ITEM	PART NUMBER	DESCRIPTION	QTY
1	1409401D	Pillar, Transaxle Mounting	2
2	A102066Z	Arm, Tension, Belt, Drive	1
3	A102124Z	Boss, Idler, 20 Dia, 11 High	1
4	A102125Z	Boss, Idler, 17 Dia, 12 High	1
5	A102126Z	Boss, Idler, 20 Dia, 3 High, 20 Sq	1
6	AM017C1	Steering Shaft Bush With Collar	1
7	B0835M	Bolt	1
8	B0845M	Bolt	1
9	NM8NT	Nut	12
10	PIFBB02	Idler, Flat, Flg, Brg, Sealed	2
11	PIVBB20SPA90	Idler, V Belt, Brg, Sealed	1
12	WS050216	Washer, Lock, Spring	3
13	14025	Boss, Idler	1
14	AM175	Key, Engine Pulley	1
15	B0628F	Bolt	2
16	B0748F	Bolt	1
17	B08100M	Bolt	4
18	B0840M	Bolt	1
19	B0860M	Bolt	1
20	BCHSNM8X20	Bolt	2
21	NFM8	Nut	2
22	SH0820M	Screw	5
23	V29K	Belt, V	1
24	W051218	Washer	15
25	W071416	Washer	1
26	W072606	Washer	1
27	WS071006	Washer, Lock, Spring	1
28	14070	Sleeve, Pivot, Drive Belt Tensioning Arm	1
29	14100	Bush, Stop	1
30	15029	Guide, Belt, Rear	1
31	15209	Bracket, Brace, TTC Transaxle	1
32	15226	Restraint, Electric Clutch/Brake	1
33	15240	Pulley, Engine	1
34	AM337	End, Rod	1
35	B0624F	Bolt	2
36	B0860M	Bolt	4
37	C02	Circlip	2
38	N05F	Nut	2
39	N06F	Nut	2
40	RE516INT	End, Rod	2
41	SH0825M	Screw	3
42	SH1025M	Screw	6
43	W05M202	Washer	4
44	W122414	Washer	4
45	AM305	Rim	2
47	STU850X8	Tube	2
48	TT850X8	Tyre & Tube	2
50	14001	Hub Wheel Adaptor	2
51	14022	Hub, Thrust, Bracket	2
52	14075	Rear Wheel Hubcap	2
53	14126	Key	2
54	15205	Rod, Link	1
55	15211	Link, Adjust, Brake	1
56	NCM8X3.2	Nut, Cage	3
57	PIVBB17SPA71	Idler, V Belt	2
58	14025	Boss, Idler, 17dia, 3high	3
59	15176	Boss, Idler, 17dia, 17high	1
60	15243	Bracket, Bridge, Idler	1
61	232201	Clutch/Brake, Electromagnetic	1
62	A102134	Sub-Assy, Plate, Nut	1
63	SH0612M	Screw	1

# Model A10206J:- DRIVE CONTROL COMPONENTS





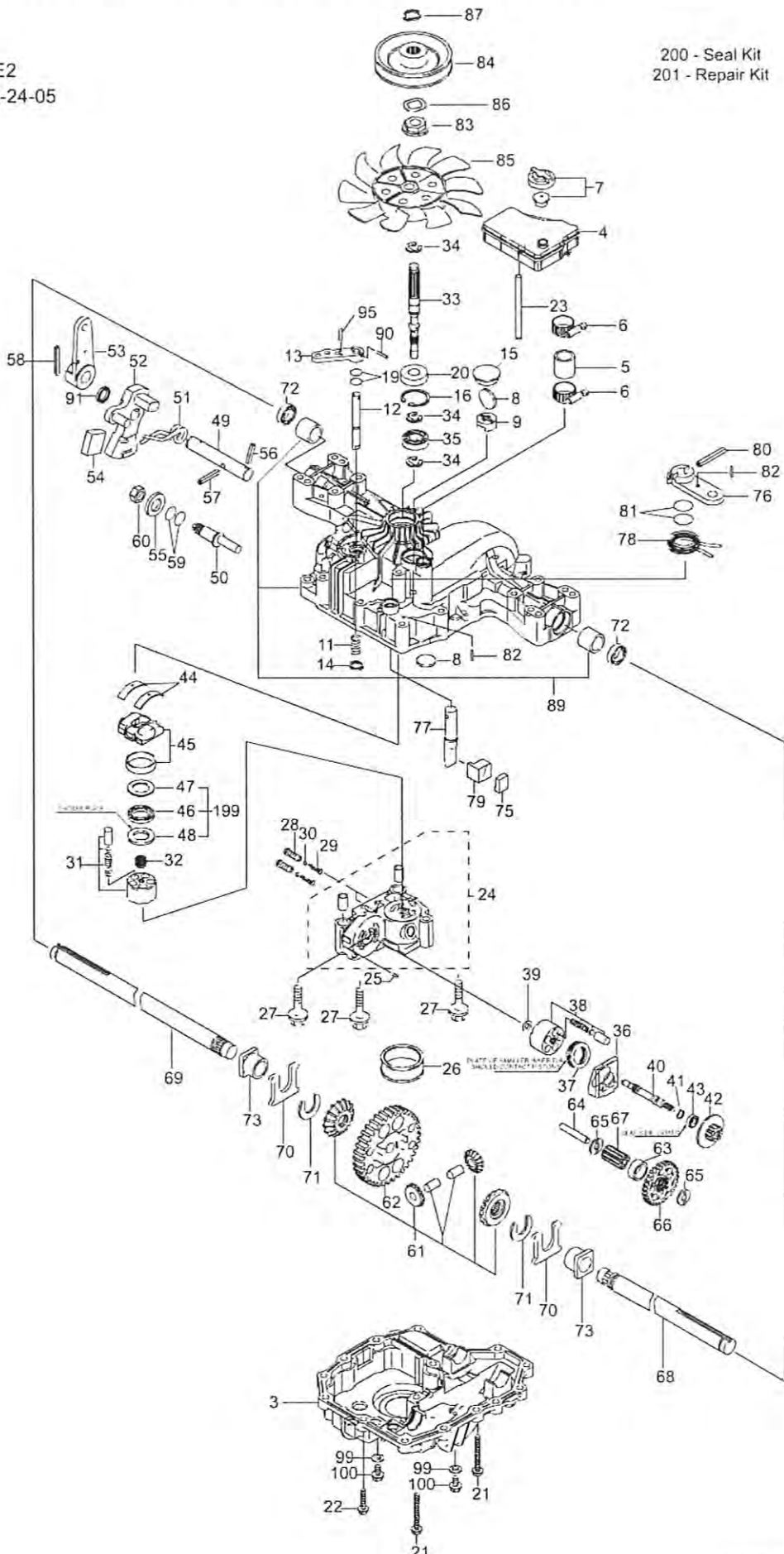
## Model A10206J:- DRIVE CONTROL COMPONENTS

ITEM	PART NUMBER	DESCRIPTION	QTY
1	1409401D	Pillar, Transaxle Mounting	2
2	1520206G	Link, Clutch/Brake,	1
3	A102004	Handle, "T", Orange	1
4	A102014Z	Bracket, Pivot, Brake Pedal	1
5	A102082Z	Pin, Pivot, Bracket Head,	1
6	A102084Z	Arm, Transfer, Suspend, Mower,	1
7	A102098Z	Link, Suspend, Attachment, Mowing,	1
8	A102100	Chassis	1
9	A102076Z	Mechanism, Suspend, Attachment, Mowing,	1
10	AM230	Bush - Plastic	8
11	NM6NT	Nut	1
12	SH0616M	Screw	1
13	W071416	Washer	2
14	15206	Pin, Pivot, 11.1dia, L=353,	1
15	15207	Lever, Transfer, Brake,	1
16	15208	Lever, Transfer, Drive Control,	1
17	A102107	Sub-Assy, Arm, Tensioning, Belt, Drive	1
18	A102090Z	Rod, Link, Unf, 3/8", L=598,	1
19	AM020	End, Rod, Stamp, Unf, 3/8"Int	1
20	AM337	End, Rod, Stamp, Unf, 3/8"Int, Shoulder Ball	1
21	N06F	Nut	2
22	A102078Z07A	Pivot, Pedal, Drive,	1
23	9007706D	Pad, Pedal, Brake	3
24	A102086G	Lever, Pedal, Clutch/Brake, Grey	1
25	A102129	Rod, Park Brake	1
26	A102141G	Pedal, Drive, Grey	1
27	AM288	Spring, Extension, Park Brake/Chain Adjust	1
28	AM328	Pivot Bush, Lever	1
29	B0620C	Bolt	1
30	B0628F	Bolt	1
31	B0648C	Bolt	2
32	B0860M	Bolt	1
33	CO1	Retaining Washer	1
34	DP03	Pin, Roll, Spring	1
35	FPR10	Fastener, Push on, Round	1
36	N06CN	Nut	1
37	N06F	Nut	3
38	NF06CN	Nut	2
39	NM10NT	Nut	2
40	NM6NT	Nut	10
41	NM8NT	Nut	4
42	RP01	Pin, 'R'	4
43	SH0616M	Screw	7
44	SH0620M	Screw	3
45	SH0820M	Screw	4
46	SH1025M	Screw	2
47	W061216	Washer	4
48	W081616	Washer	1
49	W102003	Washer	1
50	WS060815	Washer, Lock, Spring	1
51	13029	Pin, 11.1diax145l	1
52	14067	Spacer, Drive Link	1
53	14099	Spacer, Roller	1
54	14100	Bush, Stop	1
55	14101	Spring, Extension, Foot Brake	1
56	RE38INTSTUD	End, Rod, Stamp, Unf, 3/8"Int, Stud Ball	1
57	14031	Rod, Push, Declutch	1
58		Transaxle, Hydro, Ttc	1
59	90061	Cutter Height Handle	1
60	90241	Lever, Cutter Height	1
61	90269	Spring, Extension, Return, Handle	1

# Model A10206J:- TRANSAXLE COMPONENTS

K46AE2  
Rev. 5-24-05

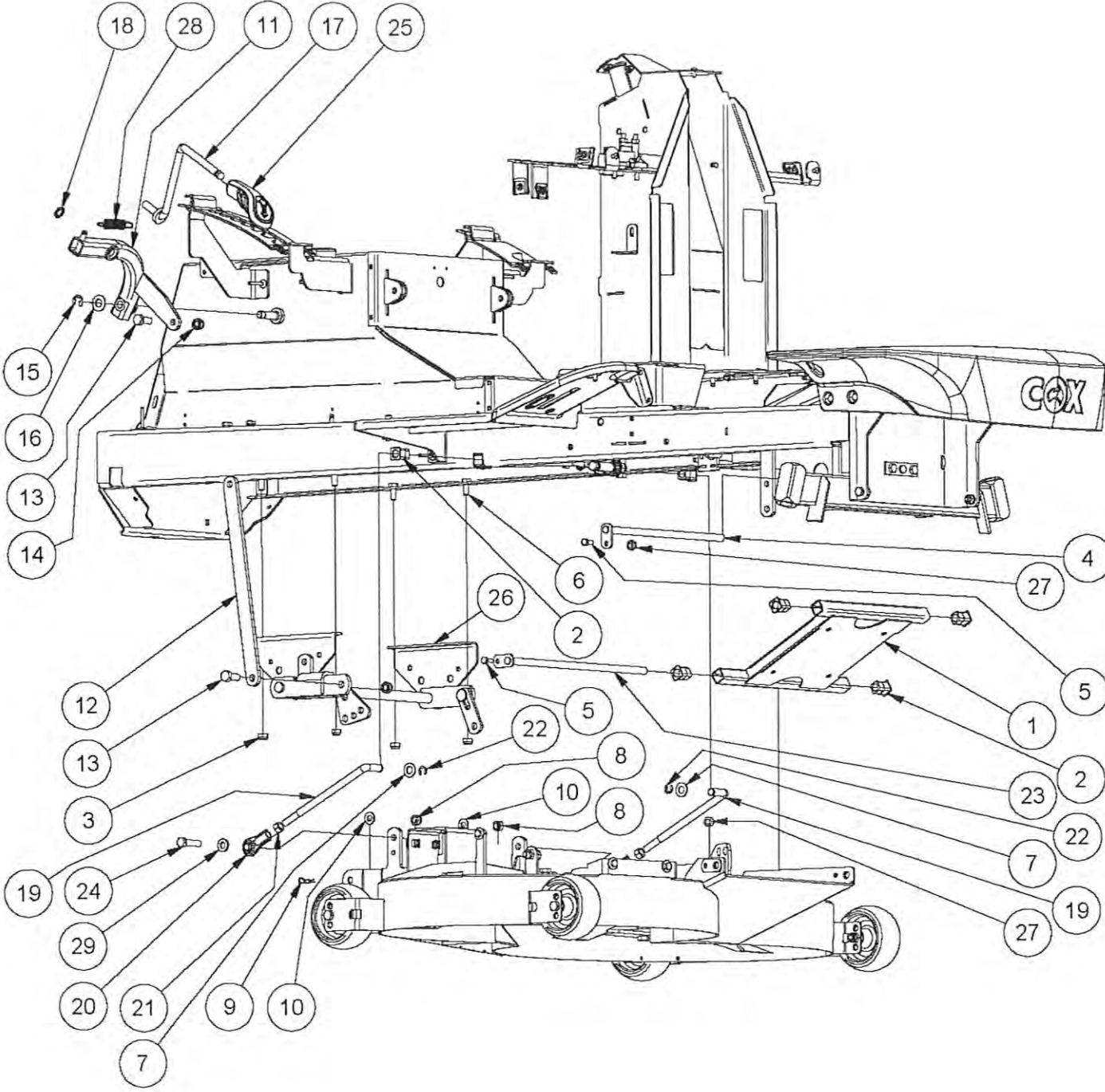
200 - Seal Kit  
201 - Repair Kit



## Model A10206J:- TRANSAXLE COMPONENTS

ITEMPART NUMBER	DESCRIPTION	ITEMPART NO	DESCRIPTION
1	T7A646024291 K46AE Tuff Torq	65	T19216833420 Washer 12 * 32 * 3.2
3	T1A646084163 Lower Case	66	T1A646033450 Reduction Gear (37t)
4	T1A646024460 Reservoir Tank 310	67	T1A646033531 Final Pinion Gear (10t)
5	T1A646024201 Tube	68	T1A646089430 Axle Shaft, Left
6	T1A646024120 Cobra Clamp	69	T1A646089440 Axle Shaft, Right
7	T19485924252 Vent Valve 15	70	T19216334261 Thrust Washer
9	T1A646029000 Magnet Holder	71	T19216834270 Ring 17
11	T19215427281 Spring 25	73	T19216834350 Bushing
12	T1A646089510 Bypass Shaft B	75	T1A646036121 Brake Shoe
13	T1A632029520 Bypass Lever	76	T1A646036160 Brake Lever
14	T19216829570 Snap Ring 10	77	T1A646036171 Brake Shaft
15	T1C655036300 Sealing Cap 30	78	T1A646036180 Brake Return Spring
16	T22252000350 Snap Ring C 35	79	T1A646036200 Brake Actuator
21	T26476080552 Tapping Screw 8 * 55	80	T22351050032 Spring Pin 5 * 32
22	T26476080302 Tapping Screw 8 * 30	82	T22351040016 Spring Pin 4 * 16
23	T1A646024480 Tank Support	83	T1A646025300 Spline Collar
24	T1A646024910 Center Case K	84	T1A646025760 Pulley B
25	T19216824760 Pin 3 * 9.8	85	T1A646083050 Fan, White
26	T168T2025220 Filter 105	86	T1A646083060 Wave Washer
27	T26106100752 Bolt 10 * 75	87	T19215489090 Snap Ring
28	T1A646024800 Ids Valve	89	T1A646084001 Upper Case Kit
29	T1A646024761 Ids Spring	90	T22351030020 Spring Pin 3.0a * 20
30	T1A646024790 Ids Filter 300	95	T22351030016 Spring Pin 3.0a * 16
31	T19216825111 Cylinder Block (Pump) Kit	100	T26106080122 Bolt 8 * 12
32	T1A646025200 Spring	199	T1A646088150 Pump Thrust Bearing
33	T1A646025251 Pump Shaft Standard	200	T1A646099140 K46 & T40 Seal Kit (All Models)
34	T19215485310 E-Ring 15	201	T46005 Repair Kit
35	T24101062020 Bearing 6202c3		
36	T19216824210 Motor Housing		
37	T19216324240 Thrust Bearing 51106		
38	T19216825210 Cylinder Block Kit		
39	T19216825230 Washer 12 * 24 * 1		
40	T1A646025271 Motor Shaft		
41	T19215425310 Snap Ring S15		
42	T1A646025400 Motor Gear (11t)		
43	T168T2025280 Bearing 6202 Rsr C3		
44	T19216327051 Thrust Metal		
45	T168T2084700 Swash Plate Complete		
49	T1A646029911 Control Shaft		
50	T1A646029920 Fulcrum		
51	T1A646029800 Torsion Spring, Standard		
52	T168T2029740 Control Arm A		
53	T1A646029851 Control Lever C		
54	T168T2029350 Jerky Plate		
55	T22137120000 Washer 12		
56	T1A646029940 Cotter Pin 1/8" * 3/4"		
57	T22351060036 Spring Pin 6 * 36		
58	T22351060040 Roll Pin 6 * 40		
60	T26776120002 Nut 12		
61	T1A646031570 Diff Gear Kit		
62	T1A646033520 Final Gear (54t)		
63	T1A646033250 Final Pinion Collar		
64	T1A646033410 Reduction Shaft		

# Model A10206J:- MOWING ATTACHMENT SUSPENSION COMPONENTS

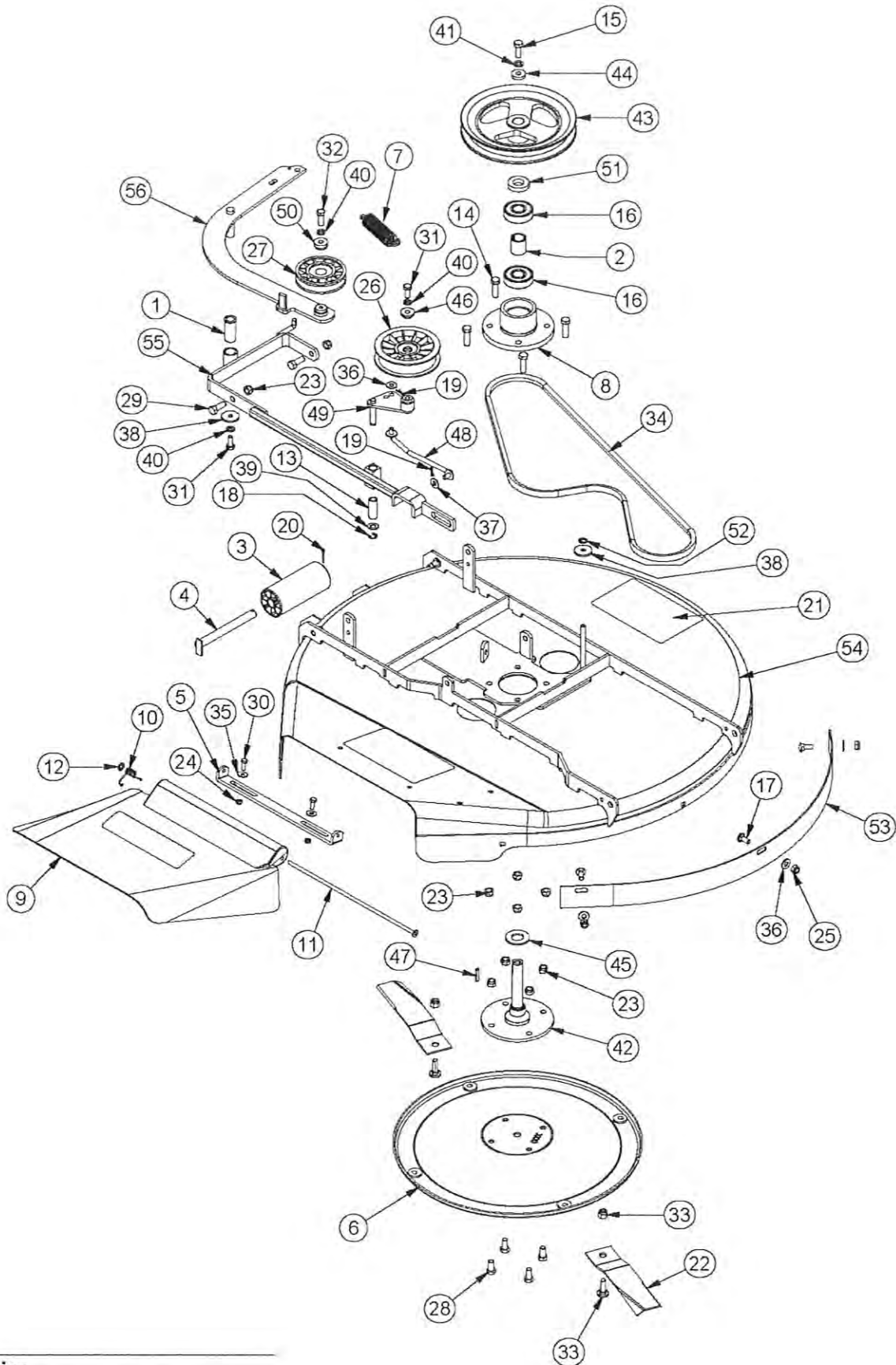




## Model A10206J:- MOWING ATTACHMENT SUSPENSION COMPONENTS

Item No	Part No	Description	Qty
1	A102091G	Link, Drag, Attachment, Mowing	1
2	AM230	Bush	6
3	NM8NT	Nut	4
4	13015	Pin	1
5	SH0616M	Screw	2
6	SH0820M	Screw	4
7	W071416	Washer	2
8	N06CN	Nut	2
9	RP01	Pin, 'R'	2
10	W061216	Washer	2
11	A102084Z	Arm, Transfer, Suspend, Mower	1
12	A102098Z07C	Link, Suspend, Attachment, Mowing	1
13	SH1025M	Screw	2
14	NM10NT	Nut	1
15	C01	Circlip	1
16	W081616	Washer	1
17	9024107A	Lever, Cutter Height	1
18	FPR10	Fastener, Push on	1
19	14048	Rod, Adjustable Link	2
20	RE381NTSTUD	End, Rod, Stamp	2
21	N06F	Nut	2
22	C03	Circlip	2
23	13016	Pin	1
24	B0624C	Bolt	2
25	90061	Cutter Height Handle	1
26	A10210607A	Sub-Assy, Mechanism, Suspension	1
27	NM6NT	Nut	2
28	90269	Spring	1
29	W102003M	Washer	2

# Model 7606J:- 32" SIDE DISCHARGE MOWING ATTACHMENT COMPONENTS

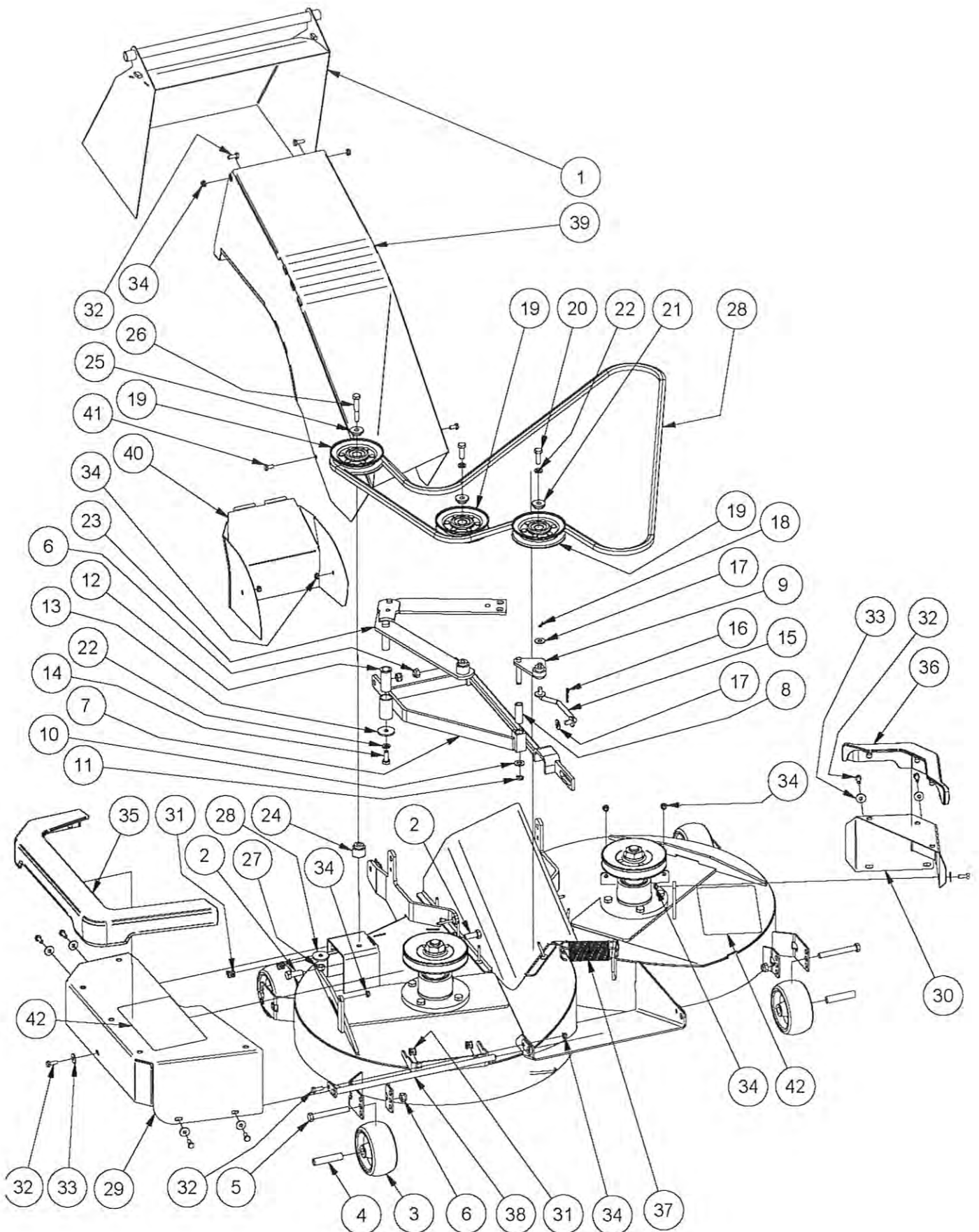


**Option**  
 Mulching Kit Cox Part No **C94**

## Model 7606J:- 32" SIDE DISCHARGE MOWING ATTACHMENT COMPONENTS

ITEM	PART NUMBER	DESCRIPTION	QTY
1	AM017C1	Steering Shaft Bush With Collar	1
2	AM021	Sleeve, Spacer, Bearing	1
3	AM036D9	Roller Plastic	1
4	AM037	Cutter Housing Roller Shaft	1
5	AM052E1	Deflector Bracket	1
6	AM07604A	Disc, Cutter	1
7	AM145	Spring, Extension, Weight Compensating	1
8	AM242	Bearing Housing	1
9	AM259	Deflector, Cox Logo	1
10	AM272	Spring, Torsion, Deflector	1
11	AM273	Deflector Pivot Rod	1
12	AM274	Fastener, Pushon, Round, 1/4"	1
13	AM328	Pivot Bush, Lever	1
14	B0620C	Bolt	4
15	B0620F	Bolt	1
16	BB205215	Bearing, Ball	2
17	BCHSNM8X20	Bolt, Cup	3
18	C03	Circlip, Ext, "E"Type	1
19	CP2-512	Pin, Split	2
20	CP3-220	Pin, Split	1
21	DEC116	Decal, Danger, Mowing Attachment	2
22	SKIT54	Blade Kit, Heavy Duty - Stepped Low Lift	1
	SKIT55	Blade Kit, Heavy Duty - High Lift	1
	SMB198SHD	Blade Heavy Duty - Stepped	
23	N06CN	Nut	10
24	NM6NT	Nut	2
25	NM8NT	Nut	3
26	PIFBB02	Idler, Flat, Flg, Brg, Sealed	1
27	PIVBB20SPA90	Vee Belt Idler	1
28	SH0612C	Screw	4
29	SH0616C	Screw	2
30	SH0616M	Screw	2
31	SH0820M	Screw	2
32	SH0825M	Screw	1
33	SKIT01D1	Kit, Fastener, Blade	2
34	V25	Belt, Vee	1
35	W041216	Washer, Flat	2
36	W051216	Washer, Flat	4
37	W051218	Washer, Flat	1
38	W052003	Washer, Flat	2
39	W061216	Washer, Flat	1
40	WS050216	Washer, Lock, Spring	3
41	WS06081.5	Washer, Lock, Spring	1
42	13051	Spindle, Cutter, 32"	1
43	13052	Pulley, Cutter	1
44	13107	Washer	1
45	13128	Washer	1
46	14025	Boss, Idler	1
47	14059	Key	1
48	14063	Connector, Cutter Deck Belt Ad	1
49	14064	Mount, Pulley, Cutter Deck Belt Adj	1
50	14069	Boss, Idler	1
51	14108	Washer	1
52	14157	Fastener, Push On, Round	1
53	90115	Guard, Cutter	1
54	92101	Deck, Cutter	1
55	1406207A	Arm, 32" Cutter Deck Belt Adj	1
56	1407707A	Arm, Belt Tensioner, 32" Cutter	1

# Model 7606J:- 40" R/D MOWING ATTACHMENT ANCILLARY COMPONENTS



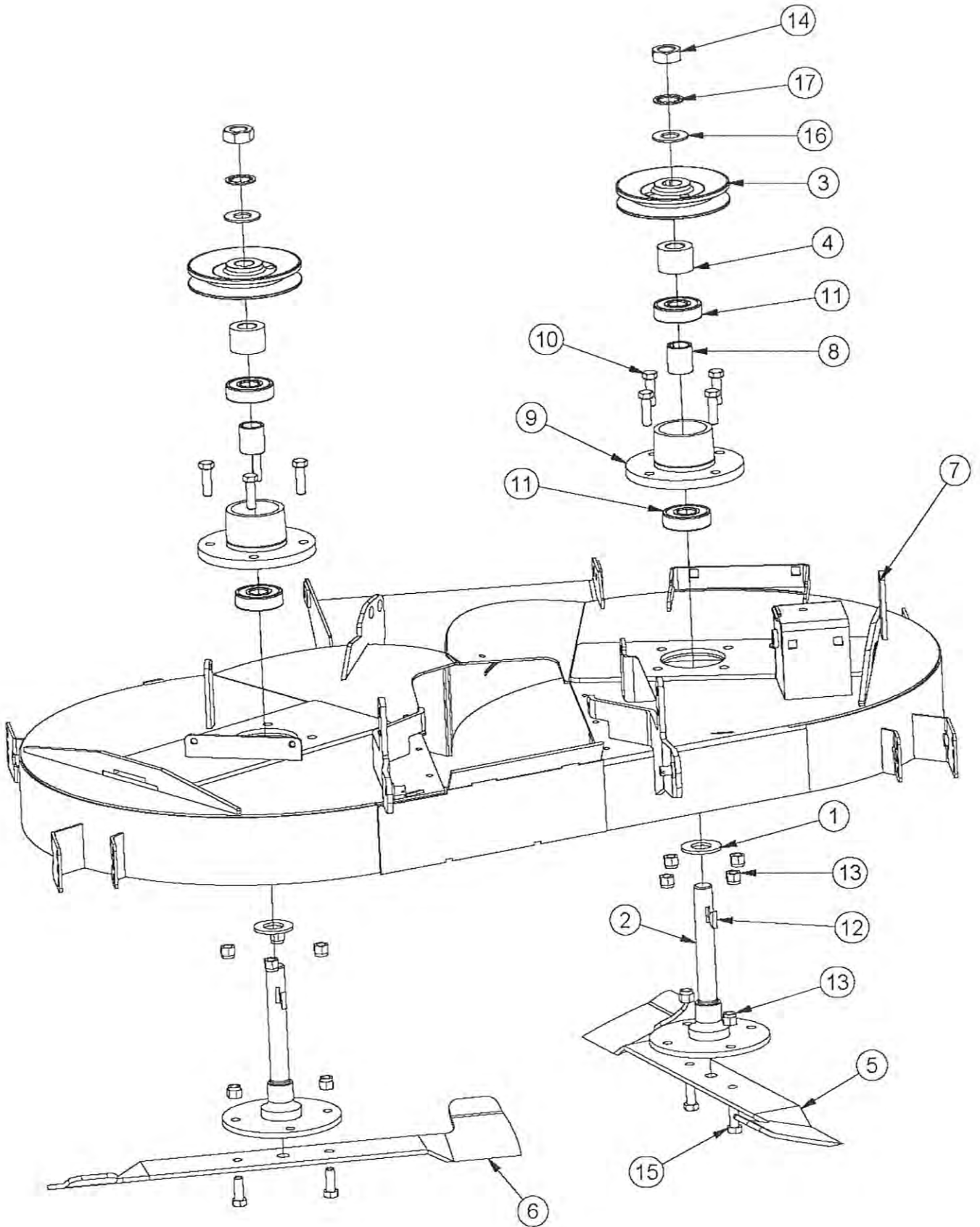


## Model 7606J:- 40" REAR DISCHARGE MOWING ATTACHMENT

### ANCILLARY COMPONENTS

Item No	Part No	Description	QTY
1	A102138G	Deflector, 40" Rear Discharge	1
2	SH0616C	Screw	2
3	AM25703H	Wheel	4
4	AM258	Flotation Wheel Bush	4
5	B0648C	Bolt	4
6	N06CN	Nut	6
7	1413706J	Arm, Belt Adj 40" Cutter Rear Disc	1
8	AM328	Pivot Bush, Lever	1
9	15174	Arm, Adjuster, Belt , 40" Cutter-Catcher	1
10	W061216	Washer	1
11	C03	Circlip	1
12	AM017C1	Steering Shaft Bush With Collar	1
13	W052003	Washer	1
14	SH0820M	Screw	1
15	14136	Connector, Belt Adjuster	1
16	RP01	Pin, 'R'	1
17	W051218	Washer	2
18	CP2-512	Pin, Split	1
19	PIVBB17A881	Idler, V Belt, Brg, Sealed	3
20	SH082SM	Screw	2
21	14025	Boss, Idler	2
22	WS050216	Washer	3
23	1517506J	Arm, Tensioner Belt 40" Cut-Catch	1
24	15176	Boss, Idler	1
25	14025	Boss, Idler	1
26	B0850M	Bolt	1
27	NM8NT	Nut	1
28	V27	Belt, V	1
29	76004	Cover, Rh, 40" Cutter Rear Disc	1
30	76005	Cover, Lh, 40" Cutter Deck	1
31	NCM6X3,2	Nut, Cage	4
32	SH0616M	Screw	10
33	W041216	Washer	8
34	NM6NT	Nut	9
35	A102006	Trim, Rubber, Cover, Right	1
36	A102007	Trim, Rubber, Cover, Left	1
37	AM145	Spring, Extension, Weight Compensating	2
38	13016	Pin	1
39	76006	Body, Chute, Discharge, Rear	1
40	76007	Telltale, Chute, Discharge Rear	1
41	SH0612M	Screw	2
42	DEC116	Decal, Danger, Mowing Attachment	2

# Model 7606J:- 40" R/DISCHARGE MOWING ATTACHMENT COMPONENTS

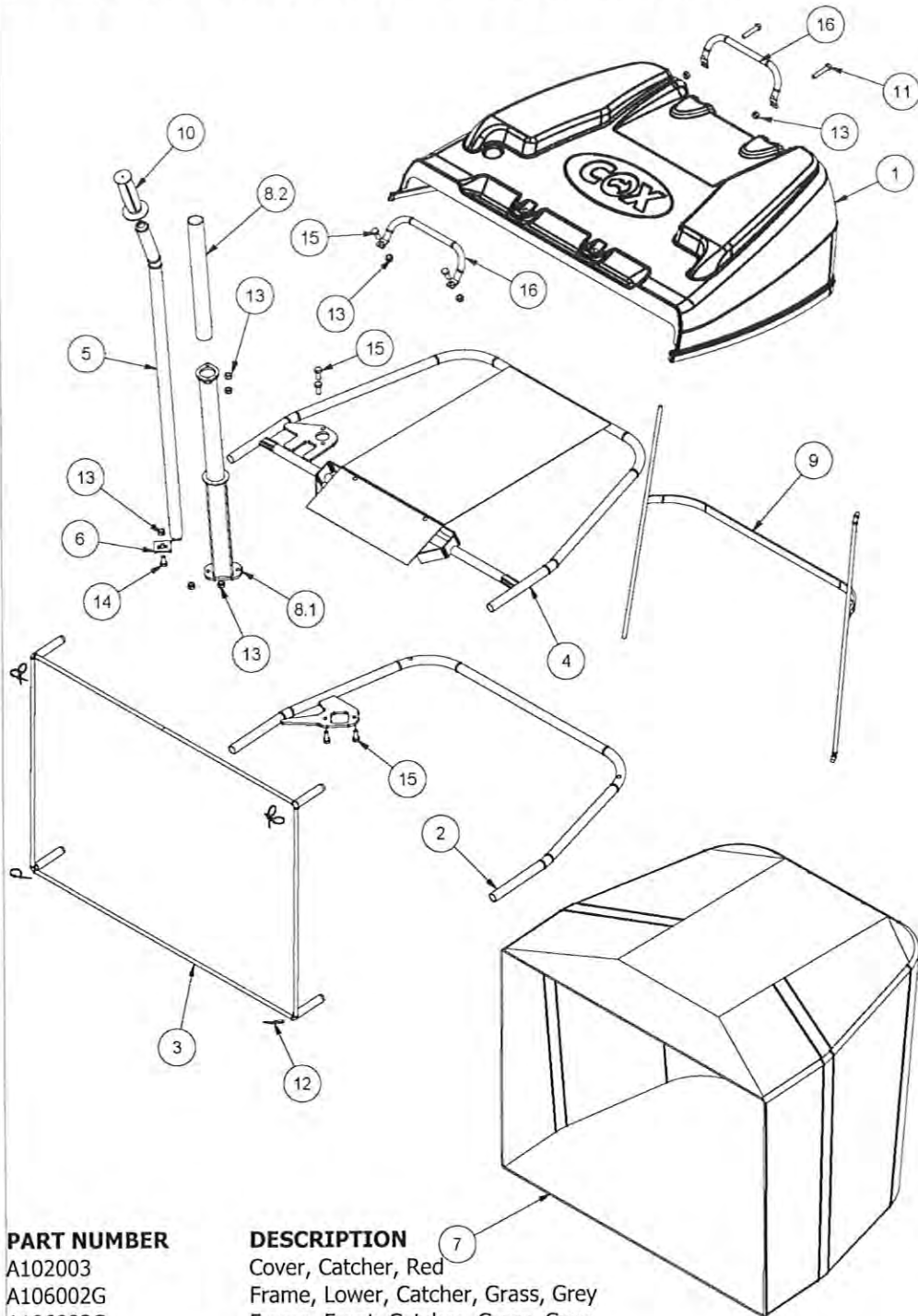


## Model 7606J:- 40" REAR DISCHARGE MOWING ATTACHMENT

### COMPONENTS

ITEM	PART NUMBER	DESCRIPTION	QTY
1	13128	Washer	2
2	13181	Shaft, Spindle	2
3	14003	Pulley, Cutter	2
4	14084	Washer	2
5	14141	Bar, Cutter, RH	1
6	14142	Bar, Cutter, LH	1
7	76001	Housing, Cutter, 40", Rear Discharge, Grey	1
8	AM021	Sleeve, Spacer, Bearing, L=30	2
9	AM242	Bearing Housing	2
10	B0620C	Bolt	8
11	BB205215NS	Bearing, Ball	4
12	SK09	Key, Woodruff	2
13	NF06CN	Nut	12
14	NHM20X1.5T	Nut	2
15	SH0616C	Screw	4
16	W203902	Washer, Flat	2
17	WM20S	Washer, Lock	2

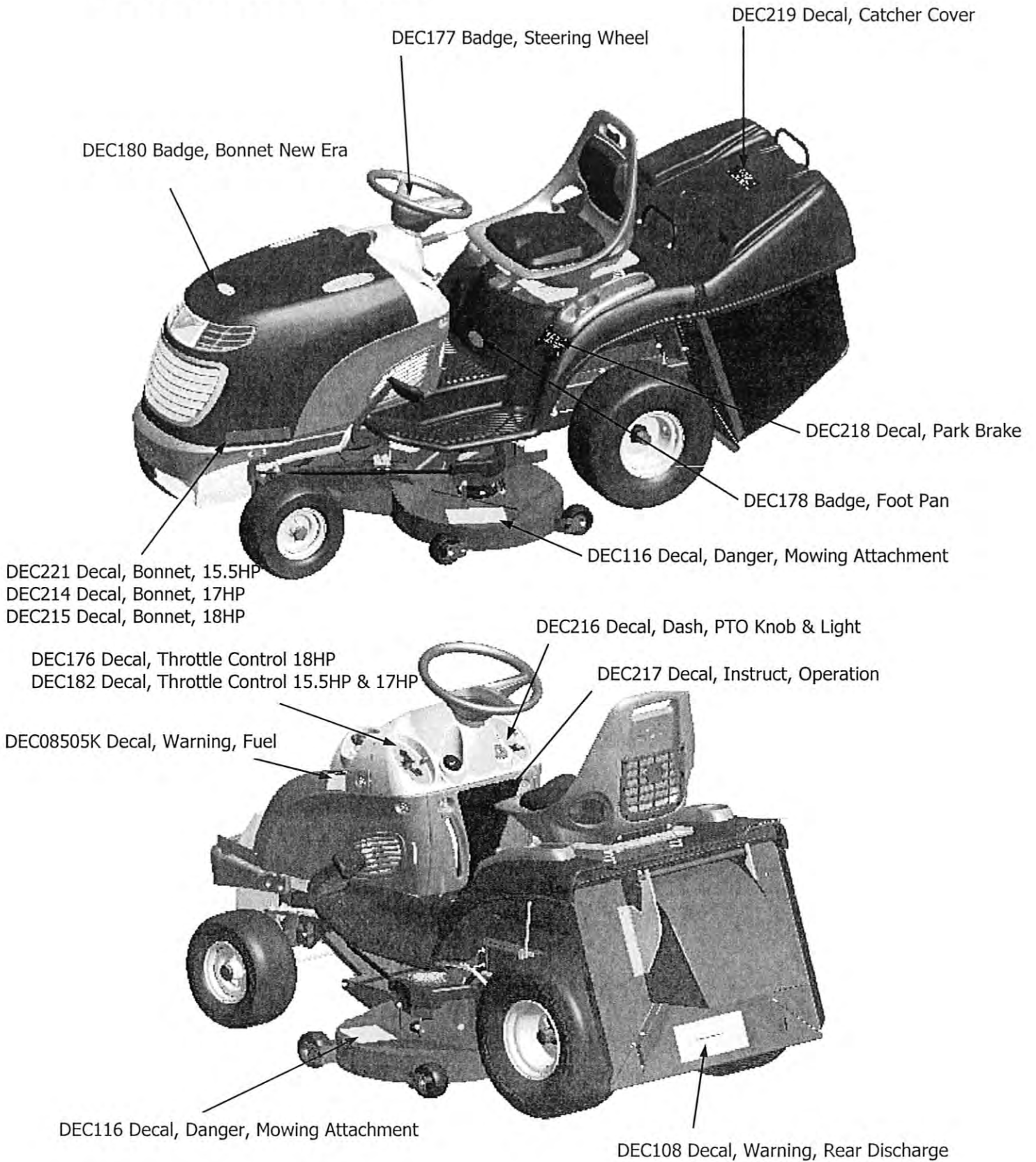
# Model A10606J:- REAR CATCHER COMPONENTS



ITEM	PART NUMBER	DESCRIPTION	QTY
1	A102003	Cover, Catcher, Red	1
2	A106002G	Frame, Lower, Catcher, Grass, Grey	1
3	A106003G	Frame, Front, Catcher, Grass, Grey	1
4	A106005G	Frame, Upper, Catcher, Grass, Grey	1
5	A106011G	Handle, Lever, Tilt, Grey	1
6	A106013Z	Plate, Stop	1
7	A106014	Bag, Catcher, Grass, Rear, 200l	1
8	A106015	Sub-Assy, Casing, Lever, Tilt	1
8.1	A106009G	Casing, Lever, Tilt, Grey	1
8.2	15128	Bush, Tilt Lever	1
9	A106018G	Frame, Rear, Grey	1
10	AM335	Grip, Handle	1
11	B0840M	Bolt	2
12	CABLETIES	Cable Ties	6
13	NM8NT	Nut	9
14	SH0816M	Screw	1
15	SH0820M	Screw	6
16	14154	Handle, Front, Grass Catcher	2



## Model A10206J:- DECALS





## **Cox Industries (Australia) Pty Ltd**

**70 Landseer Street  
Acacia Ridge Qld 4110  
P.O. Box 6266DC Acacia Ridge Q 4110  
Australia  
PH 07 3323 2222 FAX 07 3344 6233**

Web Site Address: [www.coxmowers.com.au](http://www.coxmowers.com.au)

Email: [sales@cox-mowers.com.au](mailto:sales@cox-mowers.com.au)