

COX GARDEN RECYCLER

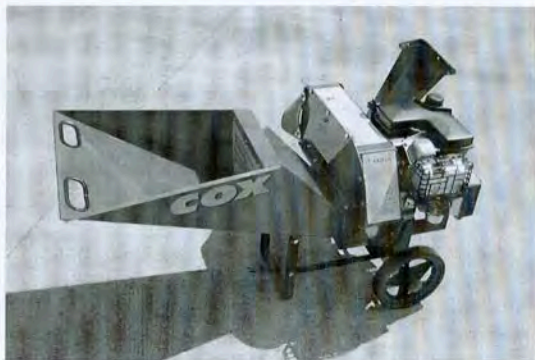
GR7201

PARTS LIST **Models**

7200H 2000-2001

7201G 2001-2004

7204L 2004 -



Cox Industries (Australia) Pty Ltd Warranty Policy

NEW GARDEN RECYCLER:

Cox Industries (Australia) Pty Ltd warrants in respect of each new garden recycler sold, that for a period of one (1) year (Domestic use), or six (6) months (Commercial/Contractors/Hire use), to the original purchaser from the date of purchase. Cox Industries (Australia) Pty Ltd or an authorised dealer will repair or replace free of charge any garden recycler parts found to be defective in materials or workmanship under normal use and operating conditions provided that:

1. The garden recycler has been properly and reasonably used, operated, maintained and regularly serviced as per the maintenance schedule during the warranty period.
2. The replacement or repair is performed by an authorised Cox Industries Dealer.

PARTS INSTALLED DURING NEW GARDEN RECYCLER WARRANTY PERIOD:

Warranty coverage for parts installed during new garden recycler warranty period shall consist of the remainder of the new garden recycler warranty period or ninety (90) days, whichever ever is greater, provided the installation is performed by an Authorised COX INDUSTRIES Dealer.

ENGINE:

The engine in a new garden recycler is covered by the manufacturer of that specific engine, not by COX INDUSTRIES (AUSTRALIA) PTY LTD.

Refer to the engine owner's manual for details.

WARRANTY SERVICE:

In the event of a need for warranty service contact your local Authorised COX INDUSTRIES (AUSTRALIA) PTY LTD Dealer.

Date of purchase of machine must be given before warranty claim will be accepted for processing.

WARRANTY REGISTRATION:

The warranty registration card must be completed by the dealer with the customer at the time of purchase and returned to COX INDUSTRIES or an authorised Dealer within 14 days.

WARRANTY EXCLUSIONS:

- 1) The rental of another machine or related equipment while unit repairs are in progress.
- 2) Telephone, facsimile expenses or other related communication expenses.
- 3) Transportation and Insurance charges during transportation of failed unit or any part thereof.
- 4) The labour, parts, mechanical adjustments or lubricant costs which, in the judgement of COX INDUSTRIES or their Authorised dealer, are made or should be made as standard maintenance according to the Cox Industries maintenance schedule.
- 5) The replacement of normal maintenance parts such as (garden recycler blades, bearings) made in connection with normal maintenance services as opposed to manufacturing defects.
- 6) Any defect caused by alteration, modification, fitment of a non-genuine part or attachment not approved by COX INDUSTRIES
- 7) Any defect caused by misuse, negligence, accidents or failure to carry out proper maintenance procedures.
- 8) Any defect caused by work carried out by other than an authorised dealer.
- 9) Damage caused by continued operation of the machine after it is known to be defective.
- 10) Damage caused by racing and similar activities or by overloading.

All implied warranties (save those preserved by statute) are excluded. Liability for consequential damages under any and all warranties are excluded to the extent exclusion is permitted by law.

To the extent that it is not prevented from doing so from statute, the manufacturer will not accept liability for costs of labour, postage, cartage or delivery to replace faulty materials or parts; or for any loss, damage or accident directly, indirectly, or consequently suffered by the purchaser, operator or any other person or property as a result of such faults whether due to defective materials or workmanship or otherwise.

The careless or improper use of a machine of this type can be dangerous. The manufacturer or selling agent does not accept responsibility for accident either to the operator, to the owner or to any person directly or indirectly or to property if such accident is caused by circumstances arising other than by the negligence or default of COX INDUSTRIES (AUSTRALIA) PTY LTD. Due to COX Industries on-going commitment to product improvement, we reserve the right to change at any time, product specifications, configurations and company policies.

Specifications

Model No.	7201G	Cox Garden Recycler
Product Code	GR7201	5.5 HP Briggs & Stratton Engine.
Dimensions, Mass, Capacity		GR7201
Length		1285mm
Width		775mm
Height		730mm
Dry Mass		61.6kg
Fuel Tank Capacity		3.78 Litre
Engine oil Capacity		0.60 Litre
Engine Design & Performance		GR7201
Model		Briggs & Stratton 127432
Type:- Petrol, 4 Stroke, Air Cooled, 25.4mm [1"] Horizontal PTO Shaft, Fuel Tank, Recoil Start		Intek I/C
Cylinder Configuration		Cast Iron Sleeve Single
Valve Type		Overhead
Displacement		206 cm ³
Bore x Stroke		68.3mm x 55.8 mm
Maximum Rated Power		4.1 kW [5.5 hp] @3600 RPM
Maximum Rated Torque		11 N.m @ 2600RPM
Rated Engine Speed (No Load)	Maximum	3600RPM
	Idle	1800RPM
Dry Mass		15.3 kg
Machine Design and Performance		GR7201
Type:- Engine PTO Shaft Direct Mounted Flywheel and Housing Mounted Bypass Screen		1 Bolted Chipper Knife Blade and 9 Pivoting Hammer Blades
Capacity:- Chipper Chute		63mm [2-1/2"]
Capacity:- Shredder Hopper (Maximum Single Cross Section)		15mm [5/8"]
Maintenance		GR7201
Fuel		Unleaded SAE 30
Oil		A.P.I. "SE", "SF", "SG"
Spark Plug		Champion QC12YC Gap 0.76mm
Chipper Knife Blade Cox Part No. (Tighten Screws 6.5 N.m [58 lbf·in])		72005

Options	GR7201
Nylon Knit Bag for Discharge Collection Cox Part No	M705-0079



WARNING



RULES FOR SAFE OPERATION

THIS MACHINE IS CAPABLE OF INFLECTING SERIOUS INJURY IF OPERATED IMPROPERLY—READ WARNINGS & CAUTION LABELS.

TRAINING AND PREPARATION

Before operating this garden recycler, read and understand this manual completely. Become familiar with it for your own safety. Failure to do so may cause serious injury. Do not allow anyone to operate your machine that has not read this manual.

INTENDED USE

Never use your garden recycler for any other purpose than chipping and shredding yard gardening products. It is designed for this use and any other use may cause injury.



DANGER



DANGER:

Rotating cutting blades. Keep hands and feet out of discharge opening while machine is running.



DANGER:

Rotating cutting blades. Keep hands out of inlet opening while machine is running.

DANGER: This machine can CRUSH, GRIND, CUT, and SEVER parts of your body if they enter the inlet or discharge area of your garden recycler.

SAFETY RULES

WARNING: TO REDUCE THE POTENTIAL FOR ANY INJURY, COMPLY WITH THE FOLLOWING SAFETY INSTRUCTIONS. FAILURE TO COMPLY WITH THE INSTRUCTIONS MAY RESULT IN PERSONAL INJURY.

TRAINING

Read this owner's manual carefully in its entirety before attempting to assemble or operate this machine. Be completely familiar with the controls and the proper use of this machine before operating it. Keep this manual in a safe place for future and regular reference and for ordering replacement parts.

OPERATOR'S RESPONSIBILITY

Never allow children to operate your garden recycler, nor adults lacking the proper instructions. Keep children, pets, and bystanders a minimum of 6 metres away from your work area. Flying chips can be hazardous.

Never run this machine in an enclosed area since the exhaust from the engine contains monoxide, which is an odorless, tasteless and deadly poisonous gas.

Never run this machine on cement or bitumen. This machine should be operated ONLY on a level earthen surface. Never put your hands, feet, face, or any other part of your body in the feed hopper or discharge area. Never remove the yellow shield attached to the shredding hopper. This device prevents fly-back and must be intact at all times. This is a protective guard.



Never operate your garden recycler while under the influence of alcohol, drugs, or medication. A clear mind is essential for safety.

Never allow a person who is tired or otherwise not alert to operate this machine.

SAFETY WEAR

Never wear loose clothing or jewellery that can be caught by moving parts of your garden recycler and pull you into it. Keep all clothing away from moving parts. Wear adequate headgear to keep hair away from moving parts. Always wear safety glasses and work gloves at all times while operating your garden recycler. A chip could fly out and hit you in the eye. Be sure your glasses fit properly and your gloves do not have loose cuffs or draw strings.

Always wear ear protection at all times while operating your garden recycler. The noise of this machine could result in hearing loss.

OPERATING PROCEDURE

Only operate your garden recycler from the operator zone.

Know how to turn the unit off.

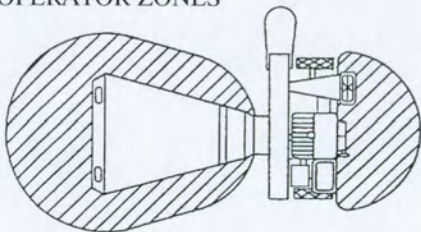
Disconnect spark plug lead before attempting to clear any discharge area.

Never clear discharge area with hands, feet, or any other part of your body.

Never clear discharge area while unit is running. After garden recycler is shutoff, then use a long handle tool to clear area.

Never move your garden recycler or leave it unattended with the engine running.

OPERATOR ZONES



OPERATE IN SAFE ENVIRONMENT

Never operate your garden recycler on slippery, wet, muddy, or icy surfaces. Safe footing is essential in preventing accidents.

Only operate on level ground. If level ground is impossible to find, be sure the hopper is "up hill" to assure proper engine lubrication.

Keep operator zone clean and clear of debris so that you don't stumble over it.

HANDLE PETROL WITH CARE as it is an extremely flammable fuel.

Check the fuel before starting the engine. Do not fill the fuel tank indoors, while the engine is running, or while the engine is still hot. Turn the unit off and let the engine cool before refueling. Wipe the fuel cap and top of fuel tank area before removing fuel cap to prevent dirt entering tank.

Fuel your garden recycler in a clean area to avoid getting dirt in petrol tank. Do not smoke while refueling. Fuel tank cap must be secure at all times except during refueling.

Avoid spilling petrol or oil. Wipe the unit clean of any spilled fuel or oil.

Store fuel and oil in approved containers, away from heat or open flame, and out of reach of children.

REPAIR AND MAINTENANCE SAFETY

Never operate your garden recycler in poor mechanical condition or when in need of repair. Periodically check that all nuts, bolts, screws, are tightened to specifications. Be sure all safety guards and shields are in the proper position. These safety devices are for your protection.

Don't service or repair your garden recycler without removing the spark plug wire.

Replace old, damaged or worn parts such as bolts or guards immediately.

Follow the engine owner's manual for engine maintenance and repair.

If it is necessary, for any reason, to inspect or repair the hopper or any part of the machine where a moving part can come in contact with your body or clothing, stop the machine, allow it to cool, disconnect the spark plug wire from the spark plug and move it away from the spark plug before attempting such inspection or repair.

OPERATION

Whenever you operate your garden recycler, wearing gloves and safety glasses is required. If it is necessary to push material into the shredding chamber, use a wooden stick, never use hands or a steel implement. At the end of this section there are additional cautions. Read and observe them.

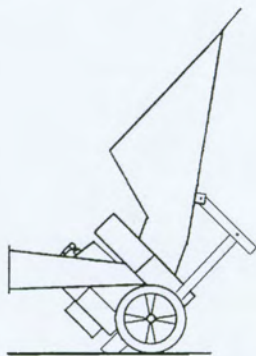
The operation of any garden recycler can result in foreign objects being thrown into the eyes, which can result in severe eye damage. Always wear safety glasses, or eye/face shields before chipping or shredding, or while performing any adjustments or repairs.

Branches are fed into the chipper chute for chipping, one at a time if they are thicker than 15mm or several together if of smaller diameter. Since the throat opening is 63mm, some side shoots or side branches may have to be trimmed from the main stalk before chipping. Short stubs of branches may be pushed through the chipper section with the next branch. Never assume you know where the blade is and try to push short branches in by hand. You don't know where it is. Be safe, keep your hands away from the chipping blade.

- (1) When feeding material into this equipment, be careful that pieces of metal, glass, rocks, cans or other non-organic or foreign objects are not included.
- (2) When shredding newspaper only shred 3 to 4 sheets at a time. Putting entire sections in could damage the rotor.
- (3) Do not allow an accumulation of processed material to build up under the discharge of the garden recycler as this can prevent following shredded material discharging and will result in clogging. Use a long handled stick or spade to remove processed material build-up. **DO NOT USE YOUR HAND OR FOOT.** Always shut the unit off before clearing build-up.
- (4) Never allow your hands or any part of your body or clothing inside the feed hopper or discharge area of the garden recycler. Use a wooden stick to push material down the hopper.
- (5) Keep all protective guards on the machine in place and in good working condition.
- (6) Always stand clear of the discharge area when the shredder is running.
- (7) Keep your face and body away from the feed hopper to avoid being struck by any material that may bounce back. Do not over-reach, keep proper balance and footing.
- (8) Do not transport the garden recycler while the engine is running.
- (9) Do not refuel the engine while it is hot, warm, or running.
- (10) Do not cover the machine while the muffler is still hot.
- (11) The engine must be kept clear of debris and other accumulations.

WARNING: This unit is equipped with an internal combustion engine and should not be used on or near any unimproved forest-covered, brush-covered or grass-covered land unless the engine's exhaust system is equipped with a spark arrester meeting applicable local or state laws (if any). If a spark arrester is used, it should be maintained in an effective working order by the operator. A spark arrester for the muffler is available through your servicing dealer.

**NEVER OPERATE MACHINE
IN THIS POSITION.**



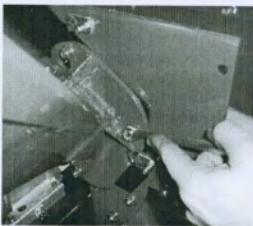
ASSEMBLY INSTRUCTIONS

Your garden recycler has been shipped with the basic unit completely assembled, leaving only the discharge deflector, chipper chute assembly, wheels and stand struts. Before beginning assembly, make sure all parts have been received and are in good condition. If there are shortages or damages, file a claim with your servicing Cox dealer immediately. The Parts listing/illustration to the rear of this manual will be helpful in the identification of components and hardware.

WHEN ASSEMBLING YOUR GR7201I GARDEN RECYCLER MAKE CERTAIN THE SPARK PLUG WIRE IS DISCONNECTED AND MOVED AWAY FROM THE SPARK PLUG BEFORE PROCEEDING TO ASSEMBLE THE UNIT.



1. Set basic unit into a position where you can attach the stand struts to the wheel axles. Slide one strut all the way along each axle end until they rest against the chassis.
2. Swing the hopper stand down until the stand strut holes align with the holes in the hopper stand. NOTE* The stand strut are to be placed on the inside of the hopper stand. Fasten the hopper stand to the stand struts with 2x M8x25 bolts and M8 flange nuts.
3. Fit one Circlip to each inside Circlip groove on the wheel axles; fit one washer to each axle end then fit wheels to the axles. Fit another washer to each axle end then retain each wheel and washer with a Circlip. Fit hubcaps to wheels.
4. Fit the chipper chute to the main assembly:- Loosen the two M8 nuts at the chute mounts, wind the nuts out till they are flush to the end of the bolts. Remove the bottom screen pin, lift the screen and position the chipper chute above and over the mounting area. Locate the top nut into the keyhole slot on the chute. Hold the chute up against the main assembly and slide it down to locate the bottom mounting bolt into the bottom slot. Finger tighten the two nuts and fit 1xM8x25 cuphead bolt from the inside of the chipper/shredder discharge area into the third mounting hole in the chute secure with 1x M8 flange nut, tighten all three nuts. Replace the bottom screen pin and tighten the retaining bolt and nut.
5. Fit the discharge deflector as shown using 4x M8x20 bolts, 4x 8mm I/D washers and 4x M8 flange nuts.



BEFORE STARTING:

FILL FUEL TANK WITH UNLEADED FUEL AND CHECK ENGINE OIL LEVEL/TOP UP IF NECESSARY. Refer to engine operator's manual for correct oil specification and oil level checking procedure.

WARNING:



IF PETROL IS ACCIDENTLY SPILLED, MOVE THE GARDEN RECYCLER AWAY FROM THE SPILL AREA, AVOID CREATING ANY SOURCE OF IGNITION UNTIL PETROL VAPORS HAVE DISAPPEARED.

NOTE: BE VERY CAREFUL NOT TO ALLOW DIRT TO ENTER THE ENGINE WHEN CHECKING OR ADDING OIL OR FUEL.

CAUTION: To avoid engine problems, the fuel system should be empty before storage for 30 days or longer. Never use engine or carburetor cleaner products in the fuel tank or permanent damage may result.

NOTE: USE CLEAN OIL AND FUEL. STORE IN APPROVED, CLEAN, CONTAINERS.

TO START ENGINE



WARNING:

BE SURE NO ONE, OTHER THAN THE OPERATOR IS STANDING NEAR THE GARDEN RECYCLER WHILE STARTING OR OPERATING.

DO NOT OPERATE THIS GARDEN RECYCLER UNLESS THE DISCHARGE

RUBBER DEFLECTOR HAS BEEN PROPERLY INSTALLED AND IS SECURED.

REFER TO ENGINE OPERATOR'S MANUAL FOR CORRECT STARTING PROCEEDURE.

Disconnect spark plug lead and move the lead away from spark plug to prevent accidental starting while equipment is unattended.

HOW TO USE YOUR GARDEN RECYCLER

The garden recycler is designed for two different methods of operation:

Leaves and small branches can be fed into the hopper assembly.

If it becomes necessary to push material into the hopper, use a small diameter stick— **NOT YOUR HANDS**. The stick should be small enough that it will be ground up if it gets into the rotor/hammer assembly.



**WARNING:**

THE GARDEN RECYCLER DISCHARGES MATERIALS WITH CONSIDERABLE VELOCITY, KEEP AWAY FROM THE AREA NEAR THE DISCHARGE COVER.

WEAR SAFETY GLASSES AND GLOVES WHENEVER USING YOUR GARDEN RECYCLER.

Bulky material, such as stalks or heavy branches (Anything over 15mm and under 63mm diameter) **Must** be fed into the chipper chute.



WARNING: DO NOT DEPOSIT MATERIAL LARGER THAN 15mm DIAMETER IN THE HOPPER ASSEMBLY. DAMAGE TO THE ROTOR HOUSING, ROTOR AND CRANKSHAFT MAY RESULT IF MATERIAL GREATER THAN 15mm IS FEED INTO THE HOPPER. ANY MATERIAL HEAVIER THAN 15mm DIAMETER SHOULD BE FED INTO THE CHIPPER CHUTE.

MAINTENANCE

If the cutting mechanism strikes any foreign object or if your machine should start making an unusual noise or vibrating, stop the engine, disconnect spark plug wire from the spark plug. Allow the engine to cool before:

- (a) Inspect for obvious damage.
 - (b) Check for loose parts and tighten to assure continued safe operation.
 - (c) Replace or repair any damaged parts.
- (1) The engine governor setting on your machine must not be altered, changed or tampered with. The governor controls the maximum safe operating speeds and protects the engine and all moving parts from damage caused by over-speed.
 - (2) Do not operate engine if air cleaner or cover directly over carburetor air intake is removed, except for adjustment. Removal of such parts could create a fire hazard.
 - (3) Do not use flammable solutions to clean the air filter.

LUBRICATION OF THE ENGINE

Check engine oil level regularly—WHILE THE UNIT IS IN THE UPRIGHT POSITION (Wheels and stand on the ground). Check the oil every five hours of operation and before each usage. Stop engine and wait several minutes before checking oil level. Refer to the engine 'Operators Manual' for correct oil level. Change oil after the first two hours of operation and every 50 hours thereafter. Refer to the Briggs & Stratton engine operator's manual enclosed with this unit for additional information on your engine.

NOTE: CHECK OIL LEVEL WHEN UNIT IS ON LEVEL GROUND.

SHARPENING OR REPLACING CHIPPER KNIFE

Disconnect spark plug wire and move it away from spark plug.
Remove the discharge, rubber deflector using 13mm spanners.
Remove the top housing panel using 13mm spanners.
Remove the screen pins and screen using 10mm spanners.
Remove the chipper chute by removing the hex nut closest to the discharge outlet and loosening the other two nuts using a 13mm spanner.
Rotate the rotor assembly by hand until you locate the chipper knife in the chipper chute opening.
Remove the knife using a 3/16" (4mm) Allen key on the outside of the knife and 10mm spanner on the rotor assembly (inside the housing).
Replace or sharpen knife. If sharpening, care must be exercised to maintain the correct bevel (35 degrees) and a straight cutting edge.
Make certain knife is reassembled with the sharp edge facing the direction of rotation and is securely fastened.

HAMMERS

The hammers, located inside the housing, may be reversed when they become dull. It is recommended that your Cox servicing dealer should perform this procedure.

ENGINE SPEED

Your engine speed has been factory set. Do not attempt to increase engine speed, or it may result in personal injury. If you believe the engine is running too fast or too slow, take your garden recycler to your servicing Cox dealer.

STORAGE


Never store your garden recycler indoors or in an enclosed, poorly ventilated area if petrol remains in the tank. Fumes may reach an open flame, spark or pilot light from a furnace, water heater, clothes dryer, cigarette, etc.

When not in use, your garden recycler should be stored out of reach of children with the spark plug wire removed. For long periods of storage (over winter) fuel should be drained from the fuel tank. Always allow the engine to cool before storing or covering.

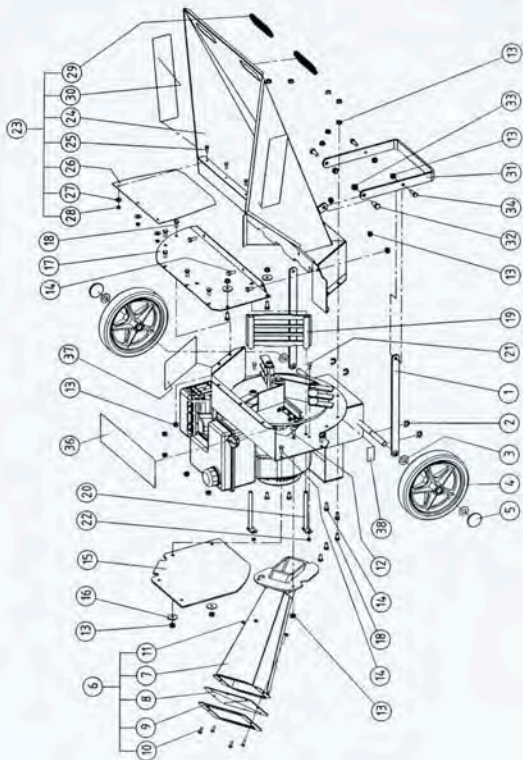
TROUBLE SHOOTING

PROBLEM	POSSIBLE CAUSE(S)	CORRECTIVE ACTION
Engine fails to start	<ol style="list-style-type: none">1. Fuel tank empty, or stale fuel.2. Fuel valve control not in on position.3. Stop control not in on position.4. Spark plug wire disconnected.5. Faulty spark plug.	<ol style="list-style-type: none">1. Fill tank with clean, fresh fuel.2. Move fuel valve control to on position.3. Move stop control to on position.4. Connect wire to spark plug.5. Clean, adjust gap or replace.
Loss of power operation erratic	<ol style="list-style-type: none">1. Spark plug wire loose.2. Blocked fuel line or stale fuel.3. Water or dirt in fuel system. 4. Dirty air cleaner.5. Choke control on.	<ol style="list-style-type: none">1. Connect and tighten spark plug wire.2. Clean fuel line; fill tank with clean fuel.3. Drain fuel tank, fuel line & carburetor. Refill with fresh fuel.4. Clean or replace air filter.5. Move choke control to off/run position.
Engine overheats	<ol style="list-style-type: none">1. Carburetor not functioning properly.2. Engine oil level low.	<ol style="list-style-type: none">1. Have unit serviced at your Cox dealer.2. Fill crankcase with proper oil.
Too much vibration	Loose parts or damaged assembly.	Stop engine immediately and disconnect spark plug wire. Tighten all bolts and nuts. Make all necessary repairs. If rotor vibration continues, have unit serviced by your Cox dealer.

WARNING: For repairs beyond the minor adjustments listed above, please contact your Cox Servicing Dealer.

 **Ensure spark plug lead is disconnected from spark plug, before performing repairs and/or maintenance on this machine.**

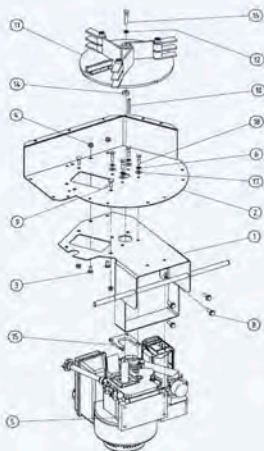
7200H 7201G & 7204L Enclosure Components



Parts List:-7200H 7201G & 7204L Enclosure Components

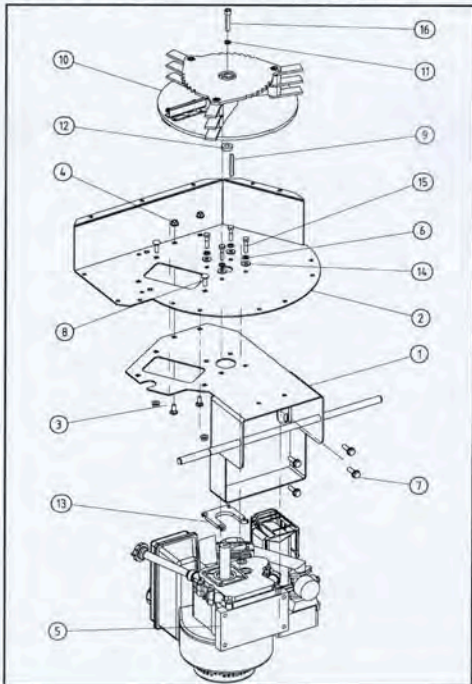
Item	Part No	Description	Qty
1	72015	Strut, Leg	2
2	C05	Circlip, E Type	4
3	W102015	Washer, Flat	4
4	72022	Wheel 9"	2
5	72023	Hubcap	2
6	72019	Sub-Assy, Chipper Chute	1
7	72011	Chute, Chipper	1
8	72016	Cover, Chipper Chute	1
9	72012	Flange, Chipper Chute	1
10	SH0616M	Screw, Hex	4
11	NM6NT	Nut, Hex	4
12	BCHSNM8X25	Bolt, Cup, Sq Neck	1
13	NFM8	Nut, Hex, Flange	22
14	SH0820M	Screw, Hex	8
15	72021	Deflector, Rubber	1
16	W052003	Washer, Flat	4
17	72008	Panel, Housing, Front	1
18	SH0816M	Screw, Hex	11
19	72010	Screen, Bar	1
20	13029	Pin	2
21	BCHSNM6x20	Bolt, Cup, Sq Neck	2
22	NM6NT	Nut, Hex, Nylon Insert, Thin	2
23	72020	Sub-Assy, Shedder Hopper	1
24	72009	Hopper, Shedder	1
25	SH0616M	Screw, Hex	3
26	72017	Shield, Flexible, Hopper	1
27	W041216	Washer, Flat	3
28	NM6NT	Nut, Hex, Nylon Insert, Thin	3
29	72018	Trim	2
30	DEC008	Decal COX	2
31	72014	Stand, Leg	1
32	SH1025M	Screw, Hex	2
33	NM10NT	Nut, Hex, Nylon Insert, Thin	2
34	SH0825M	Screw, Hex	2
36	DEC117	Decal, Warning/Danger, Housing Top	1
37	DEC118	Decal, Caution, Housing End	1
	M705-0079	Bag, Nylon Knit (Optional Accessory)	

7200H & 7201G Drive Components



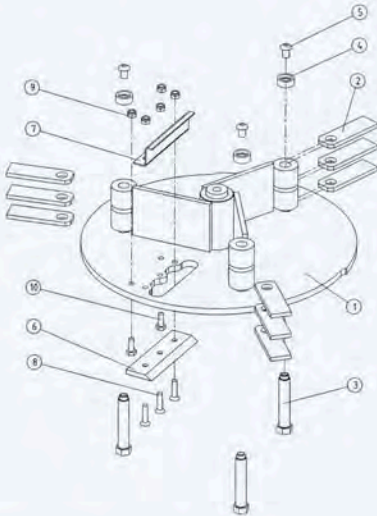
Item	Part No	Description	Qty
1	7200601G	Chassis	1
2	72007	Housing, Back & Top	1
3	BCHSNM8X20	Bolt, Cup, Sq Neck	2
4	NFMB	Nut, Hex, Flange	4
5		Engine Briggs & Stratton	1
6	WS050216	Washer, Lock, Spring	4
8	STF0618	Screw, Hex	4
9	BCHSNM8x25	Bolt, Cup, Sq Neck	2
10	AM115	Key	1
11	72001	Sub-Assy, Rotor NLA use KIT168	1
12	WS06081.5	Washer, Lock, Spring	1
14	72025	Spacer (7201G)	1
15	72033	Plate, Spacer	1
16	B0632F	Bolt, Hex (7201G)	1
17	W05M202	Washer	4
18	B0520F	Screw, Hex	4

Exploded View & Parts List:- 7204L Drive Components



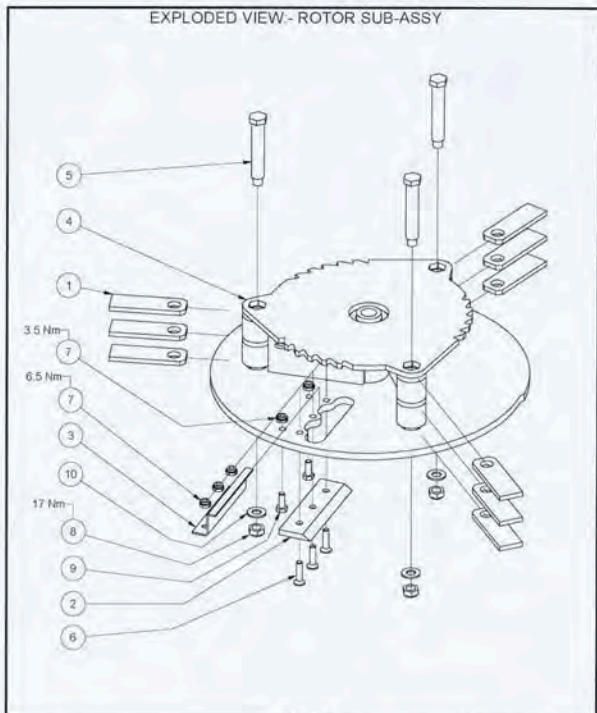
Item	Part No	Description	Qty
1	7200601G	Chassis	1
2	72007	Housing, Back & Top	1
3	BCHSNM8X20	Bolt, Cup, Sq Neck	2
4	NFM8	Nut, Hex, Flange	4
5		Engine Briggs & Stratton	1
6	WS050216	Washer, Lock, Spring	4
7	STF0618	Screw, Hex	4
8	BCHSNM8x25	Bolt, Cup, Sq Neck	2
9	AM115	Key	1
10	72036	Sub-Assy, Rotor	1
11	WS060606	Washer, Lock, Spring	1
12	72025	Spacer	1
13	72033	Plate, Spacer	1
14	W05M202	Washer	4
15	B0520F	Screw, Hex	4
16	CHSB0628F	Bolt,Cap,Hex Socket	1

Exploded View & Parts List:- 7200H & 7201G Rotor Components



Item	Part No	Description	Qty
1	7201300K	Flywheel, Rotor NLA use KIT168	1
2	72002	Blade, Hammer	9
3	72034	Axle, Hammer	3
4	72035	Collar, Hammer	3
5	BHSSM8X12	Screw, Button, Hex Soc	3
6	72005	Blade, Knife, Chipper	1
7	72024	Deflector, Chip	1
8	CSSSM6x25	Screw, Csk, Hex Soc	3
9	NM6NT	Nut, Hex, Nylon Insert, Thin	5
10	SH0616M	Screw, Hex	2
**	72001	Sub Assy - Rotor NLA use KIT168	

Exploded View & Parts List:- 7204L Rotor Components



Parts List

ITEM	PART NUMBER	DESCRIPTION	MASS	QTY
1	72002	BLADE, HAMMER, (HEATTREATED)	0.070 kg	9
2	72005	BLADE, KNIFE, CHIPPER	0.148 kg	1
3	72024	DEFLECTOR, CHIP	0.060 kg	1
4	72037	FLYWHEEL, ROTOR, BARE	8.446 kg	1
5	72038	AXLE, HAMMER BLADE, HARDENED	0.080 kg	3
6	CS88M6X25	SCREW, CSK, HEX, SOC, M 6X 25, PC10.9	0.006 kg	3
7	NM9HT	NUT, HEX, NYLOC, THIN, M6, PC6, ZNPL	0.000 kg	5
8	NT09CN	NUT, HEX, NYLOC, THIN, UNC, 3/8" ZNPL	0.005 kg	3
9	SH0616M	SCREW, HEX, M6X16, ZNPL	0.006 kg	2
10	W061216	WASHER, FLAT, BRIGHT, 3/8"x3/4"x16G, ZNPL	0.003 kg	3



Cox Industries (Australia) Pty Ltd

**70 Landseer Street
Acacia Ridge Qld 4110
P.O. Box 6266DC Acacia Ridge Q 4110
Australia
PH 07 3323 2222 FAX 07 3344 6233**

Web Site Address: www.coxmowers.com.au

Email: sales@cox-mowers.com.au