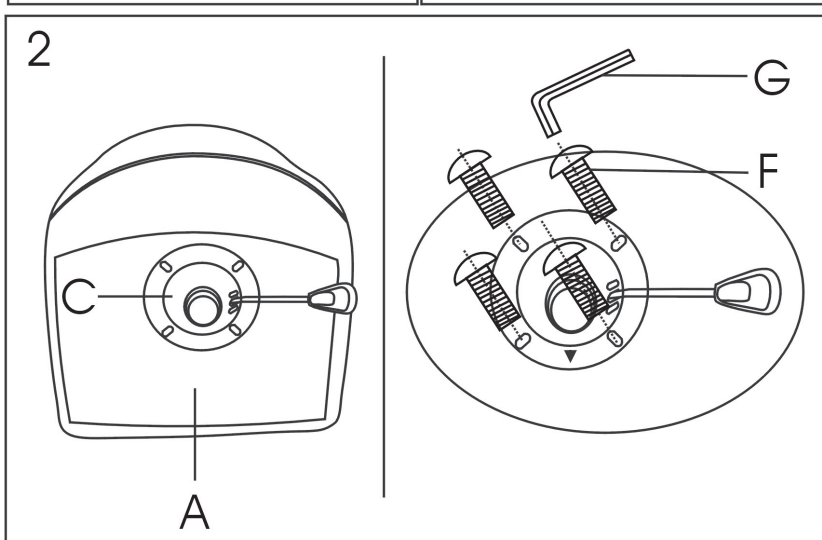
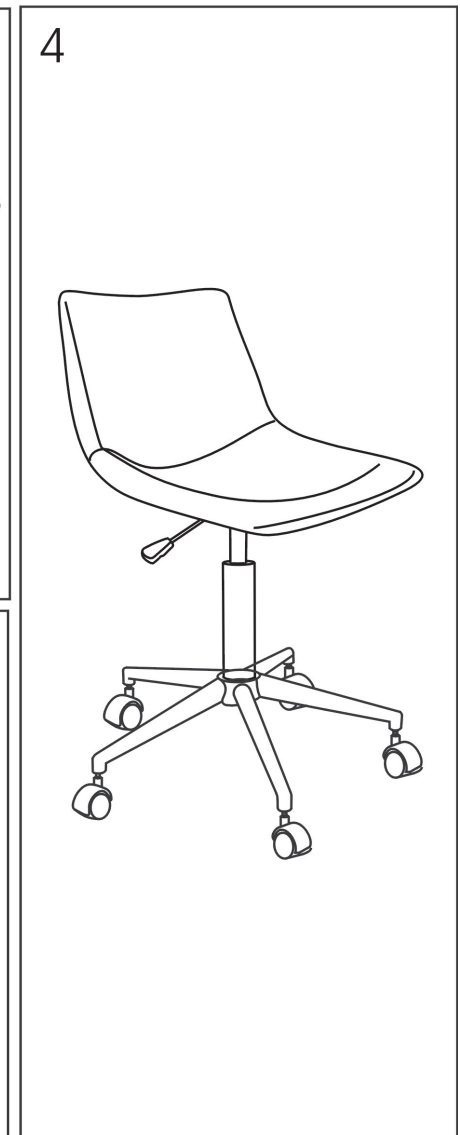
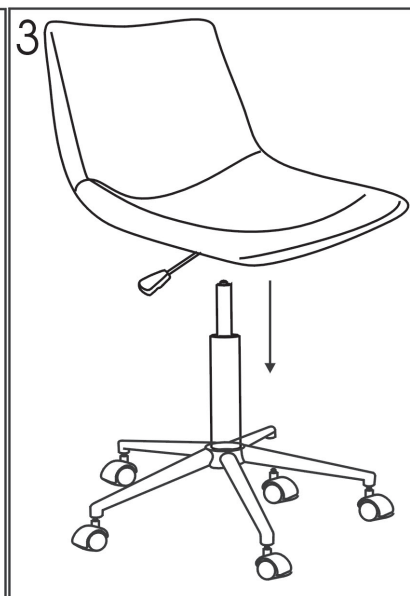
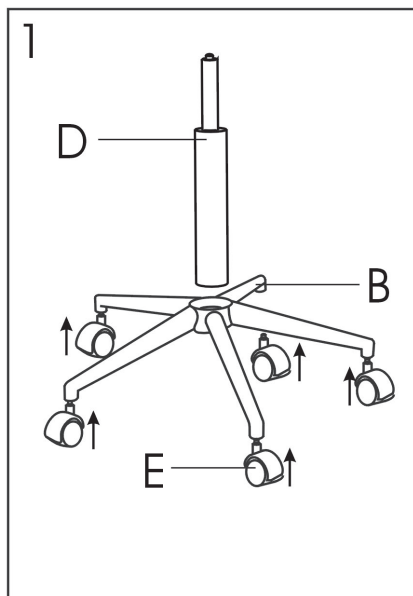
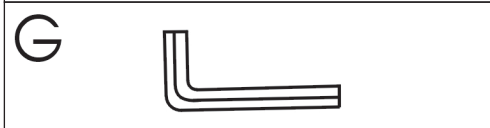
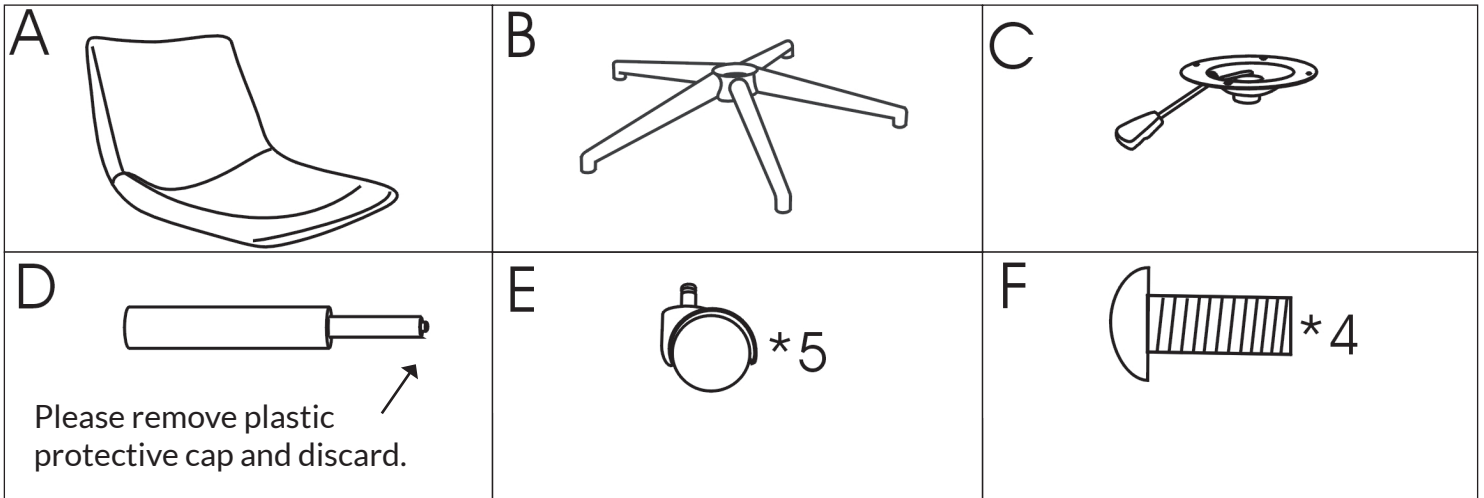


### FRANKIE OFFICE CHAIR - 1053



#### ENQUIRIES

For product or warranty enquiries please email [info@blackmango.com.au](mailto:info@blackmango.com.au) or call 03 9005 6000

\* Product warranty from date of purchase, price and product details are correct only at the time of printing.