

## DAVIS UPHOLSTERED DESK CHAIR - 1010



<p>A</p> <p>M6*20mm</p>  <p>× 12</p>	<p>B</p>  <p>× 1</p>
---	---

- Do not throw away packaging materials until assembly is complete and you are satisfied with item.
- Assemble this item on a soft surface, such as cardboard or carpet, to protect finish.
- Proper assembly of this item may require 2 people.

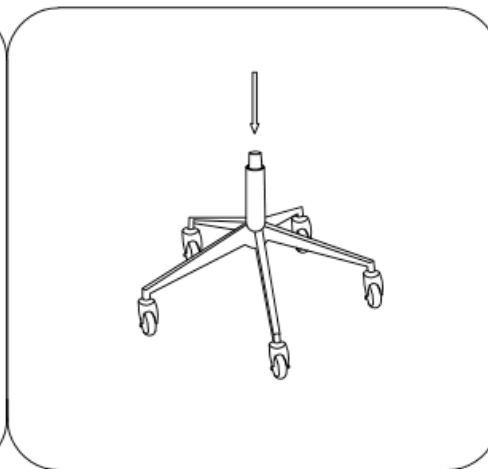
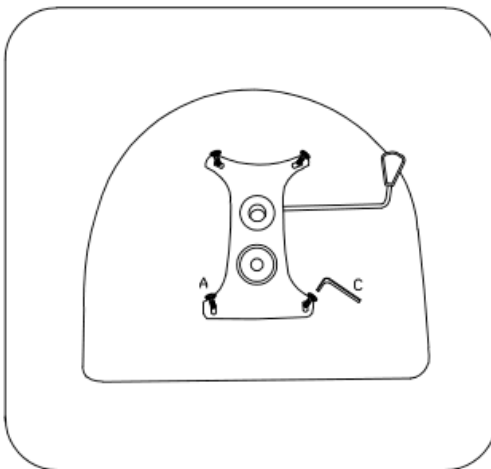
### CARE INSTRUCTIONS

Hardware may loosen overtime. Periodically check that all connections are tight. Wipe with a soft, dry cloth. To protect finish, avoid the use of chemicals and household cleaners. Any liquid spilled onto the furniture should be cleaned up immediately with a damp cloth in a gentle dabbing motion.

1. Attach base plate to chair using hardware provided.

2. Push cylinder into legs.

3. Place chair onto cylinder and push down.



### ENQUIRIES

For product or warranty enquiries please email [info@blackmango.com.au](mailto:info@blackmango.com.au) or call 03 9005 6000

\* Product warranty from date of purchase, price and product details are correct only at the time of printing.