

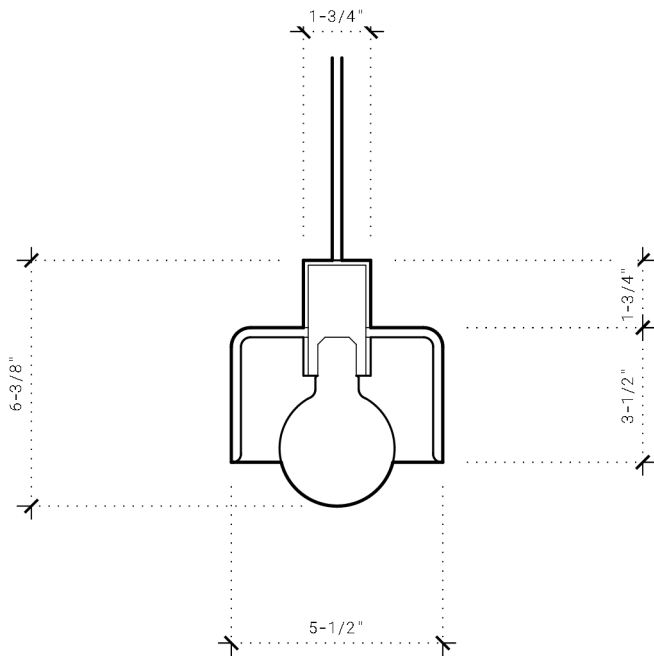
# a light studio



www.alightstudio.ca  
hello@alightstudio.ca



## Wren Pendant



### Product Description

- Shade made from locally sourced, North American hardwood and finished with Osmo hardwax oil.
- Premium fabric-wrapped cord with optional hardwire canopy or 2-prong plug and thumb switch (swag hook not included).
- Included Tala Sphere II dimmable LED light bulb.
- One-year limited warranty on manufacturing defects.
- Suitable for indoor use / dry locations only.
- Consult a licensed electrician for hardwired applications.

### Specifications

- Overall Dimensions: 5-1/2" Dia. x 6-3/8" Height
- \*Dimensions are approximate. Each fixture is made by hand, resulting in minor variations in shape and size.
- Weight: 1.5 lbs
- Socket: E26
- Voltage: 120V
- Max Wattage: 10W (LED bulb recommended)
- LED Bulb: 3" Dia. / 6W / 480 Lumens / 2000-2800K
- Certification: UL Certified (US / CA)