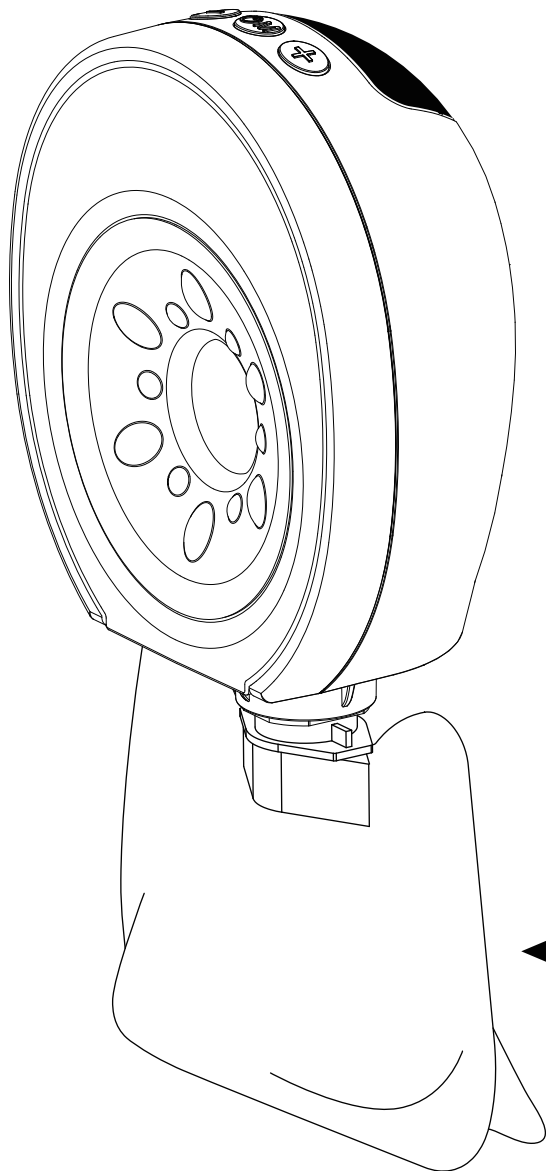
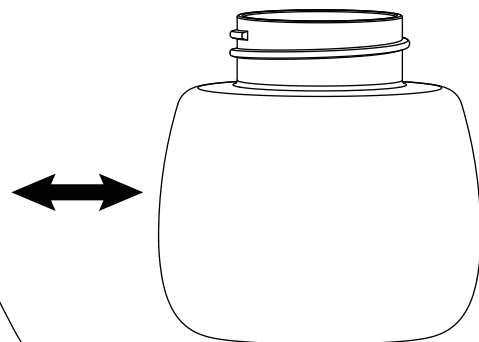


jevon baby

Wearable Electric Breast Pump Instruction Manual



Scan here for
PDF version



1. Features

- **3 modes**

Massage & Stimulation & Expression . 9 adjustable levels .

- **Handsfree**

Designed to be worn inside any bra, allowing you to keep your hands free.

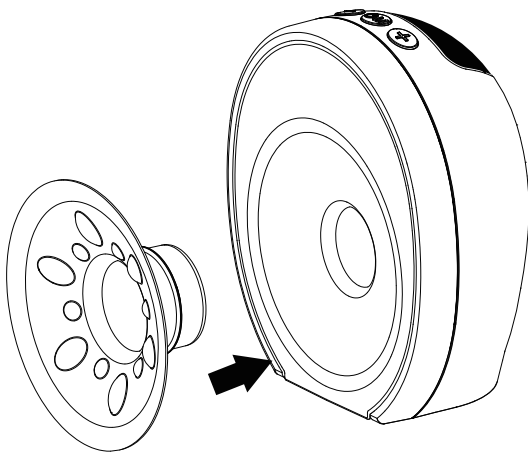
- **Anti-backflow Function**

The professional backflow protection system prevents the milk from getting into the Pump motor, and ensures milk travels through a hygienic route.

- **Auto shut off in 30 minutes**

- **Additional funnel inserts fit for various nipple sizes**

(This is an optional spare part, you can choose to use for the right size, or even without it.)

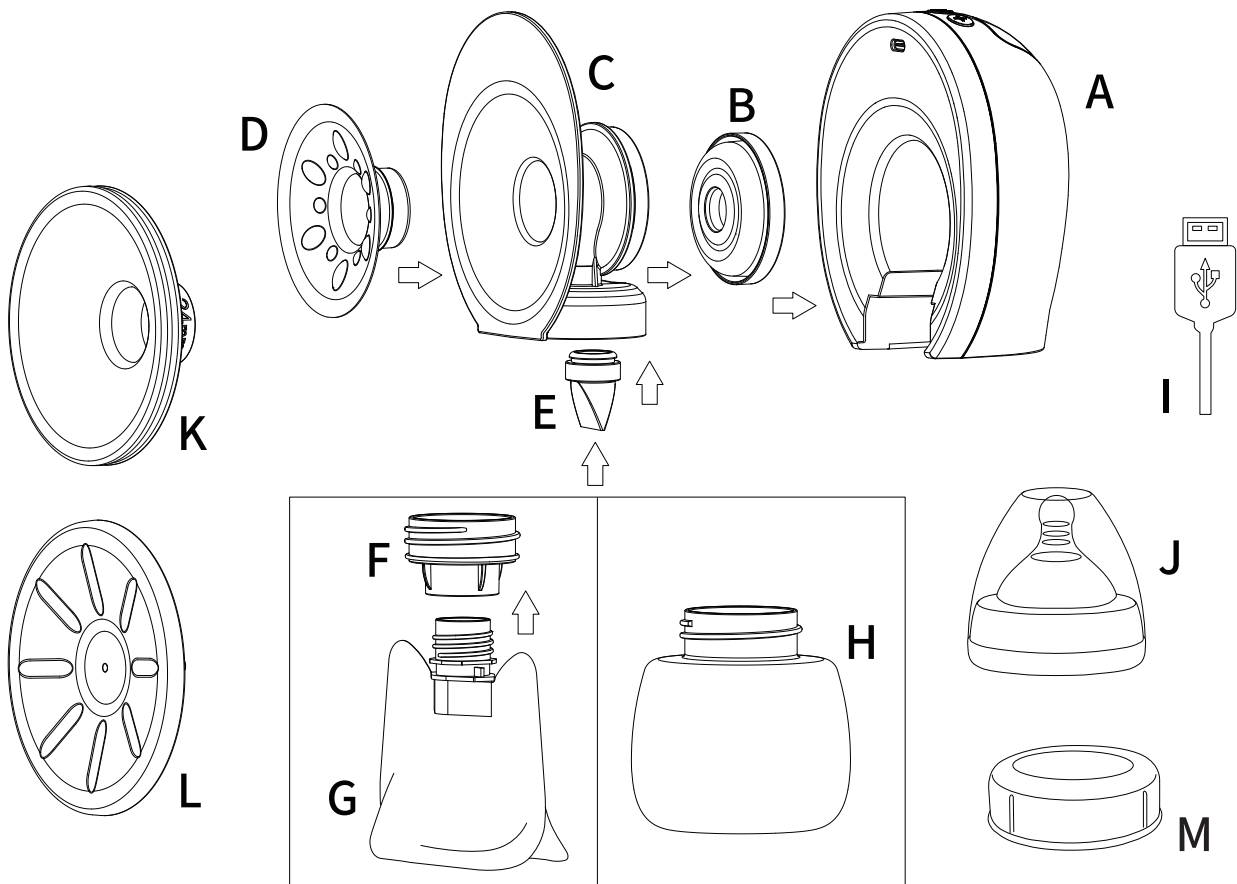


Choose a funnel insert according to your nipple size, and then push the funnel insert into the Breast shield.

2. Specifications

Level	9	Max. suction power	≤300mmHg
Usage time	≤30 minutes/full pump cycle	Working condition	5-40°C
Adapter output	5V ==1A		

3. Component parts

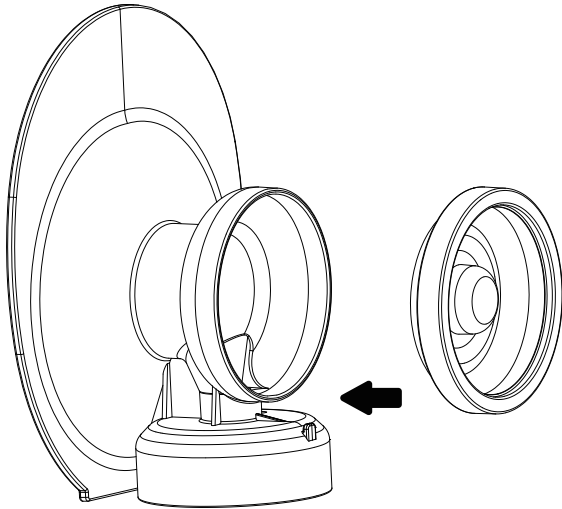


No.	Item	Material	Heat-resisting temperature
A	Pump motor	/	/
B	Silicone Diaphragm	Silicone	120°C
C	PP breast shield	PP	120°C
D	Nipple funnel insert (13mm,15mm,17mm,19mm,21mm,24mm)	Silicone	120°C
E	Silicone Valve	Silicone	120°C
F	Storage bag adaptor	PP	120°C
G	Breast milk storage bag	PET/PE	40°C
H	Feeding bottle	PPSU	180°C
I	Type-C USB cable	/	/
J	Teat	PP+Silicone	120°C
K	Silicone flange	Silicone	120°C
L	Dust cover	PP	120°C
M	Bottle cap for PPSU milk bottle	PP	120°C

4. Assembly

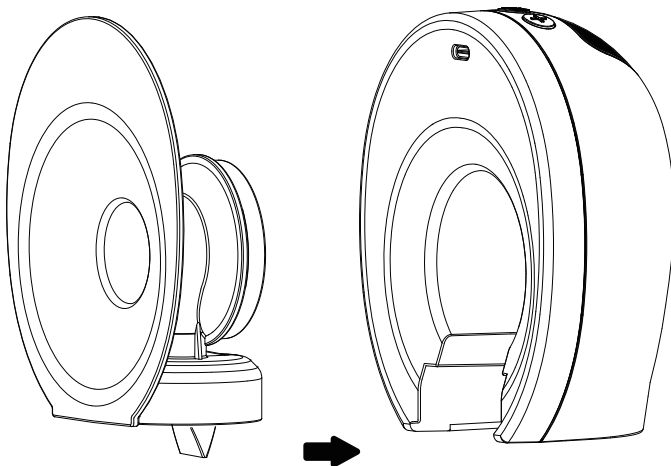
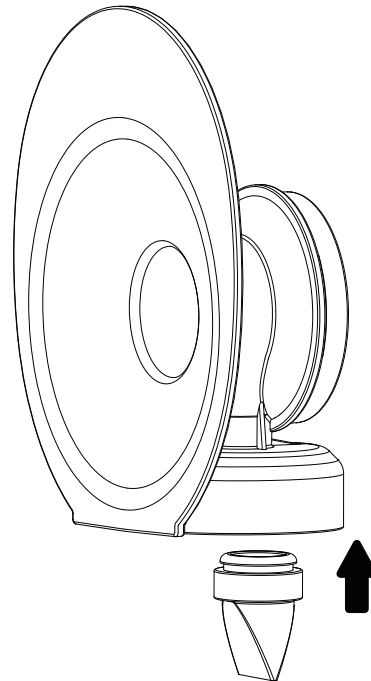


Before assembly, please make sure all parts are dried



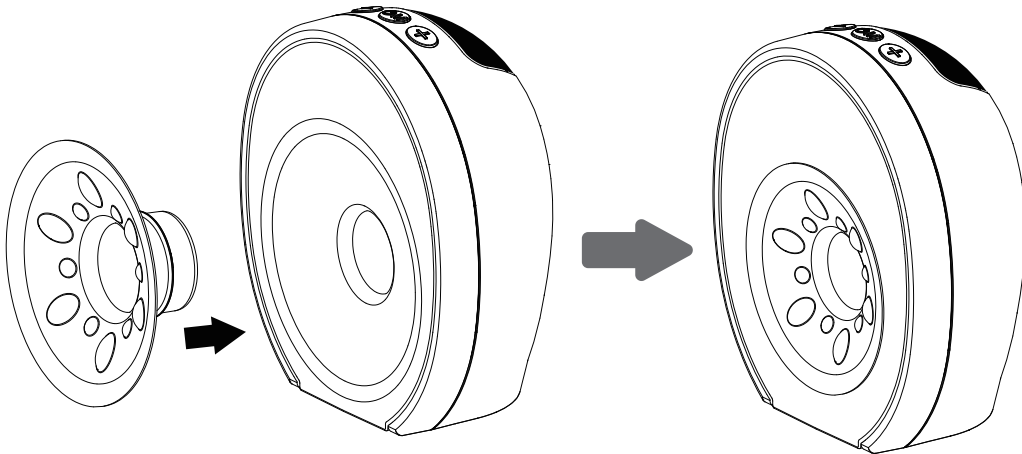
1. Install the silicone diaphragm to the PP breast shield as shown.

2. Install the silicone valve to the PP breast shield as shown. (compulsory for both bottle or storage bag)

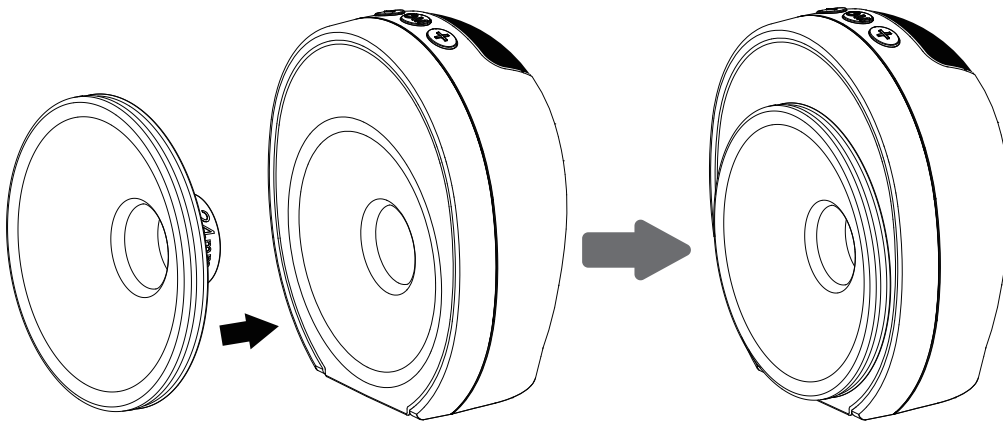


3. Push the PP breast shield to pump motor.

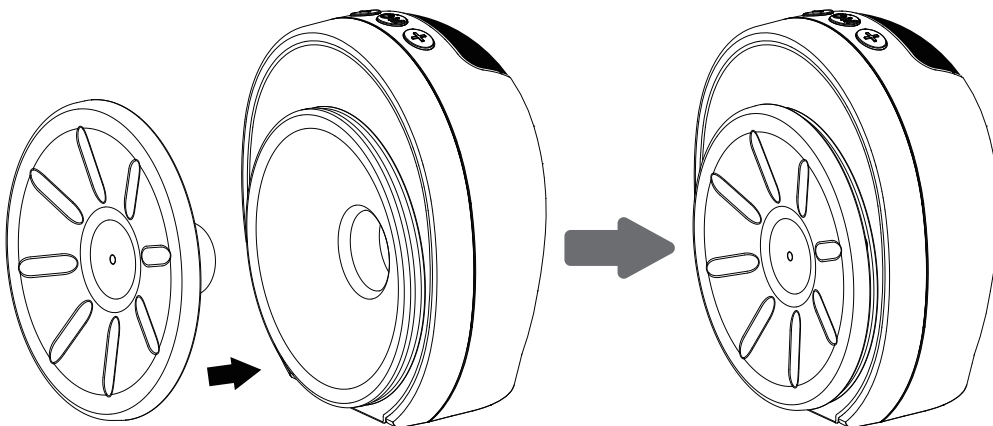
4. Assembly



4. Option one: Choose one of nipple funnel insert according to your nipple size, and push it into PP breast shield. (Recommended)

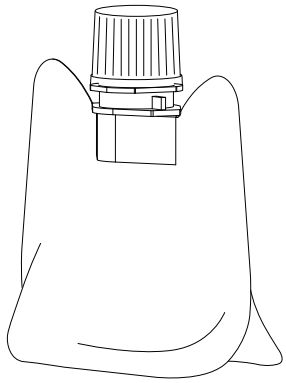


5. Option two: Install the silicone flange into PP breast shield. (Optional)

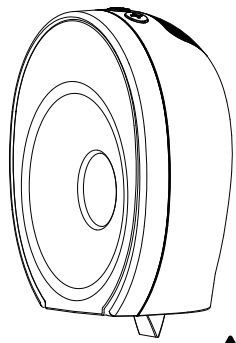


6. Install the dust cover to silicone flange.

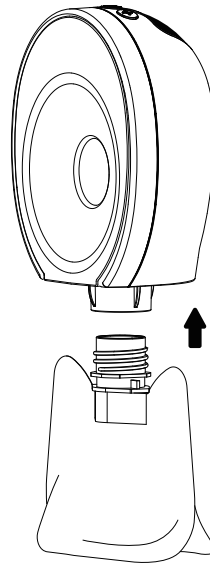
4. Assembly



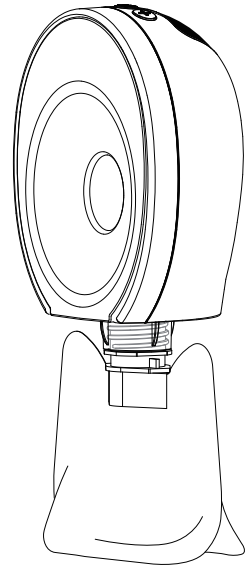
Installation of breast milk storage bag



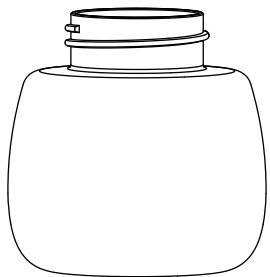
①. Install the adaptor to pump motor



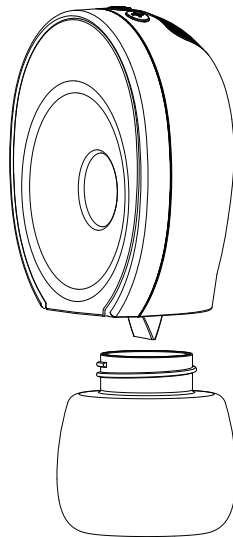
②. Install the breast milk storage bag to adaptor as shown



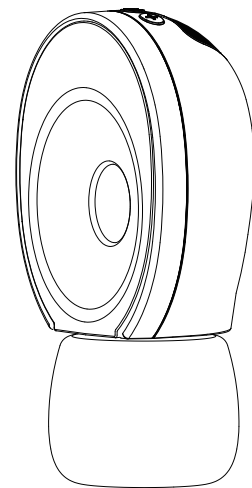
③. Done



Installation of feeding bottle



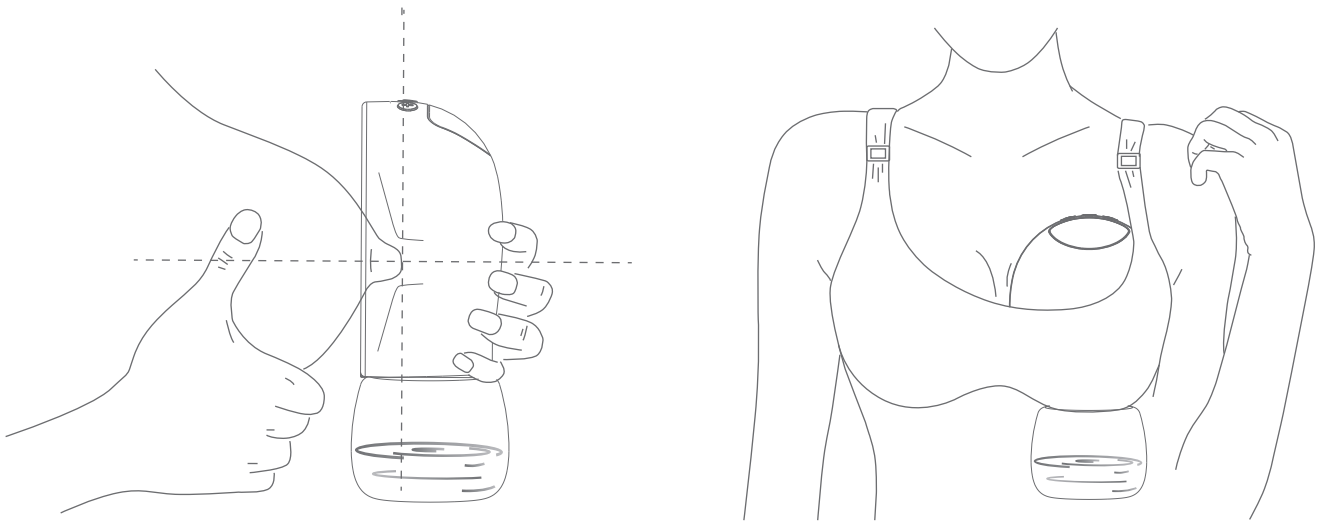
①. Install the feeding bottle to pump motor



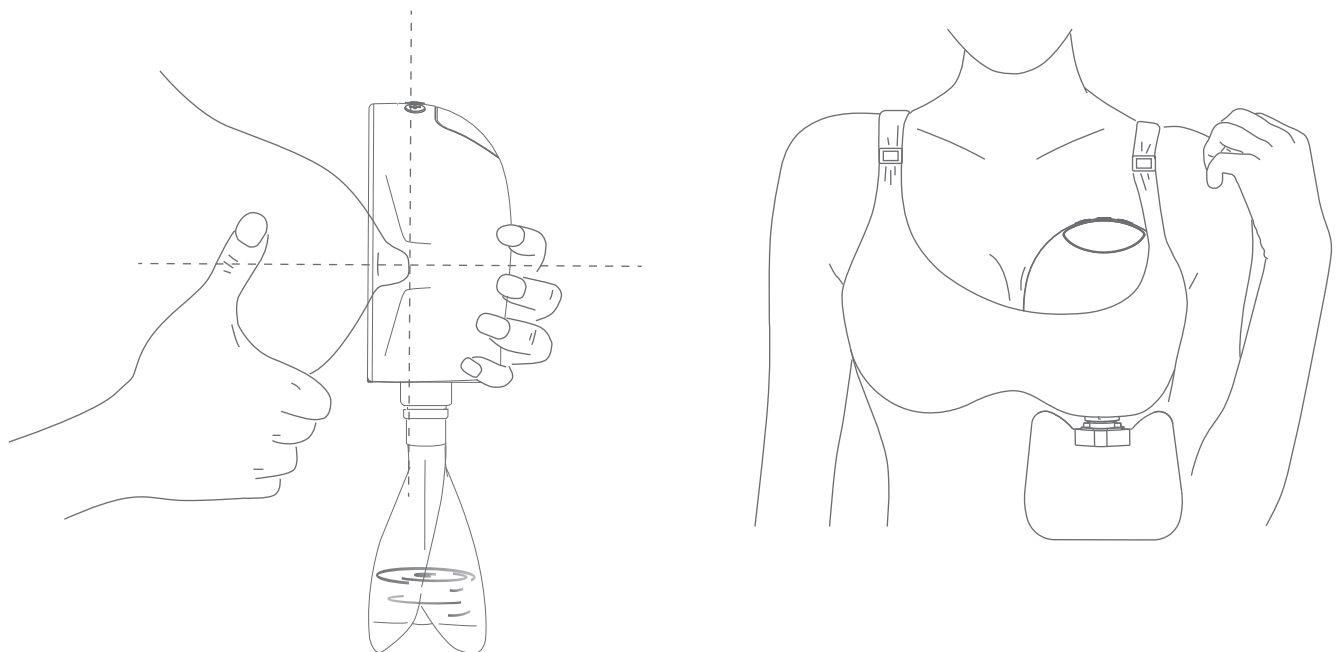
②. Done

5. How to wear the breast pump?

Gently attach the breast shield(or with suitable funnel insert) onto your breast and position your nipples at the center of the channel.



Please keep the breast pump upright and be aware that the milk volume does not exceed 150ml to prevent overflowing



6. Operational instructions

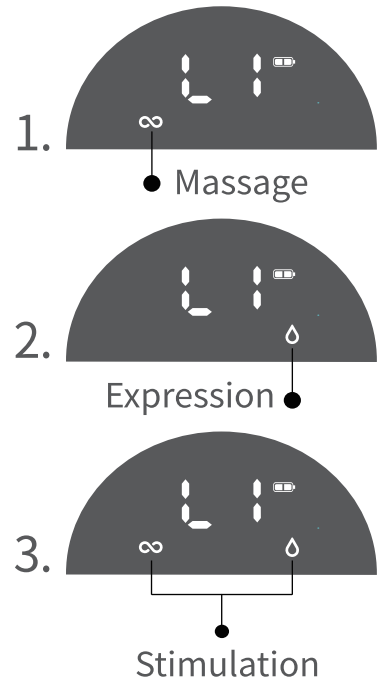


On/Off: Press for 2 seconds

Mode switch button: Press for 1 second

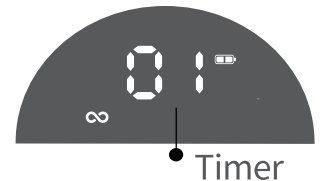
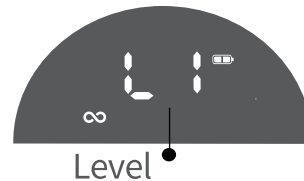
Total 3 modes for this breast pump

1. **Massage mode:** Mimics the fast suckling rhythm that a baby does to stimulate your milkflow (letdown)
2. **Expression mode:** Once letdown is achieved, switch to expression mode for slower rhythm and more intense milk expression.
3. **Stimulation mode:** It is a combination of both Massage & Expression mode. It will stimulate and express breast milk at the same time. (This is a good option for sensitive nipples)



+ Level up button: (Maximum level 9)

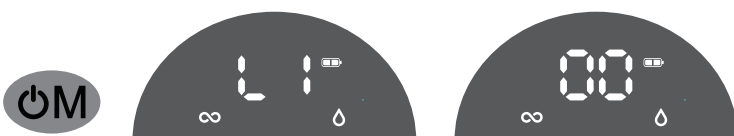
- Level down button: (Minimum level 1)



1. Press and hold the "**⏻**" button for 2 seconds to power on the pump. The display will show "88" for 1 second and enter the massage mode automatically. The screen will then display the Suction Level followed by the Timer.



2. Press **⏻** switch to Expression mode.



3. Press **⏻** switch to stimulation mode.

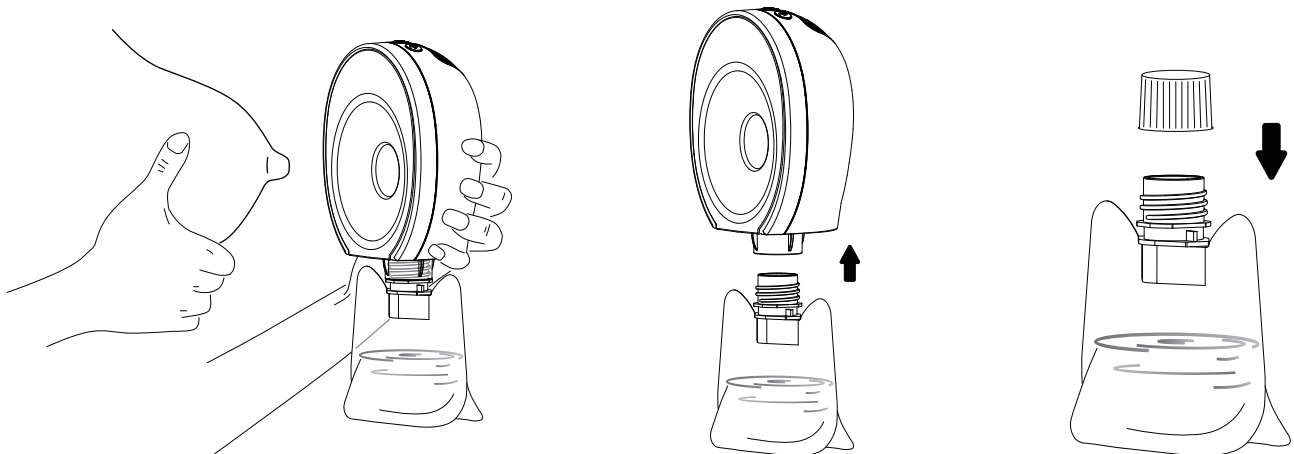
The pump will automatically shut off after continuous 30 minutes of usage.

7. Usage

1. Before initial use, make sure to fully charge the breast pump .
(For safety reason, please refrain from activating the pump while charging.)
2. Battery indicator will blink during charging. When it stops blinking means 100% charged
3. Adapter output Requirement: 5V == 1A .
4. Press and hold the **⏻M** button for 2 seconds to turn on the breast pump.
By default, the breast pump will enter massage mode first and will automatically switch to expression mode after 2 minutes. However, you can override this automatic mode by pressing the **⏻M** button again to choose the mode you prefer.
5. Once breast milk is ready to flow, switch to either "Expression mode" or Stimulation Mode" by pressing **⏻M** button.
6. Prior to pumping , make sure to clean your breasts and nipples.

8. After finish pumping

If you use breast milk storage bag:



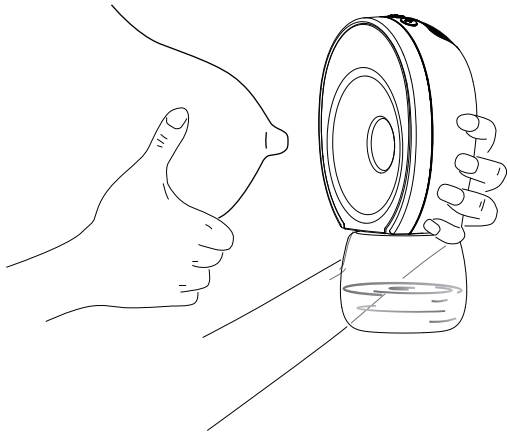
1. When you finish pumping, turn off the machine first, then remove it from your breast.

2. Remove the milk bag from pump motor.

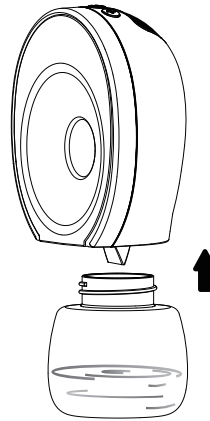
3. Seal the milk bag and place in fridge for storage.

8. After finish pumping

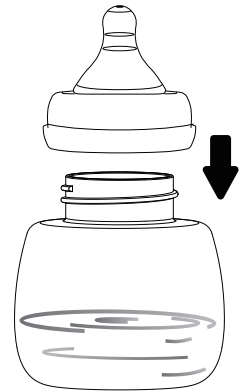
If you use feeding bottle:



1. When you finish pumping, turn off the machine first, then remove it from your breast.

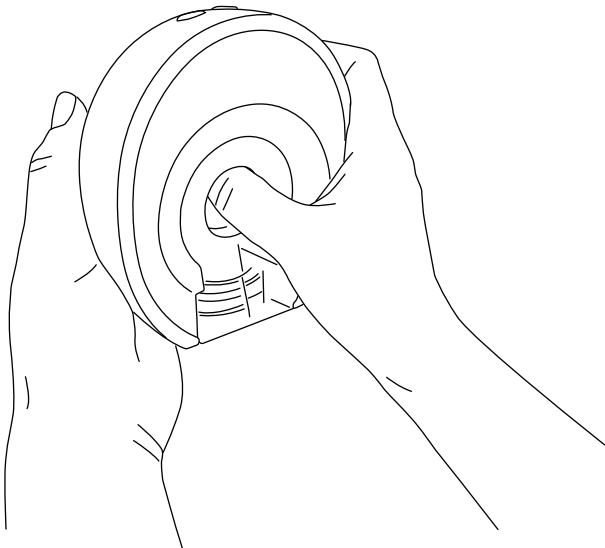


2. Remove bottle from pump motor

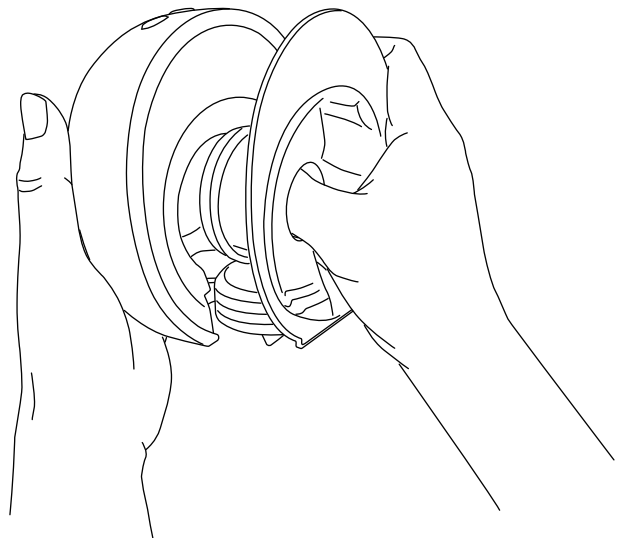


3. Attach with teat for direct feeding or seal with cover cap for storage purposes.

How to remove the PP breast shield from Motor?



1. Put your thumb in the channel of PP breast shield.



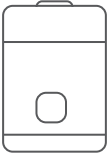
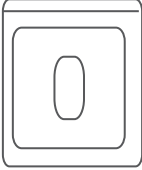
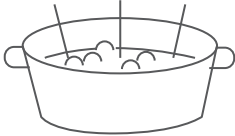
2. Gently use your thumb to pull it out, and you will hear a 'click' indicating that it has been successfully removed.

9. Trouble shooting

- Any problems please take the following solution.

Problem	Reason	Solution
Weak suction	<ol style="list-style-type: none"> 1. Component got wet. 2. Accessories did not connect well. 3. The diaphragm or valve is damaged. 4. The breast shield is not securely attached to the breast. 	<ol style="list-style-type: none"> 1. Dry out all parts. 2. Check all the connection parts and re-assemble them. 3. Replace a new one. 4. Make sure the breast shield is securely attached to the breast.
No suction	Avoid using sharp tools to clean the silicone valve or diaphragm, as damage to these components can result in a loss of suction.	
	<ol style="list-style-type: none"> 1. No valve, or the valve damaged. 2. No Diaphragm, or the Diaphragm damaged. 	1&2. Reassemble or replace a new one.
Cannot Switch on	<ol style="list-style-type: none"> 1. The battery ran out of power. 	<ol style="list-style-type: none"> 1. Please take for about 180 minutes to get the battery fully charged.

10. Disinfection

<p>Sterilize with Steam Sterilizer: All components, including nipple inserts, diaphragm, valve, breast shield, milk storage adapter, PPSU bottle, dust cover, and silicone flange, are steam sterilizer safe</p>	
<p>Sterilize with UV Sterilizer: All components, including nipple inserts, diaphragm, valve, breast shield, milk storage adapter, PPSU bottle, dust cover, and silicone flange, are UV sterilization sterilizer safe. They can be dried in UV sterilizer's dryer.</p>	
<p>Sterilize with Boiling Water: Submerge the parts in boiled water for 5 minutes, ensure the parts do not contact with the heating utensil surface. Plastic and silicone accessories may deform as the utensil surface temperature may rise and exceed plastic and silicone material safe temperature.</p>	
<p>Important Don'ts: Do not use dishwasher for washing and drying.</p>	<p style="text-align: center;">Others</p>

- **Note:**The Pump motor cannot be washed or disinfected.
Dry all parts in the air thoroughly after disinfection. When using the disinfection equipment, be sure to follow the manufacturer's instructions.