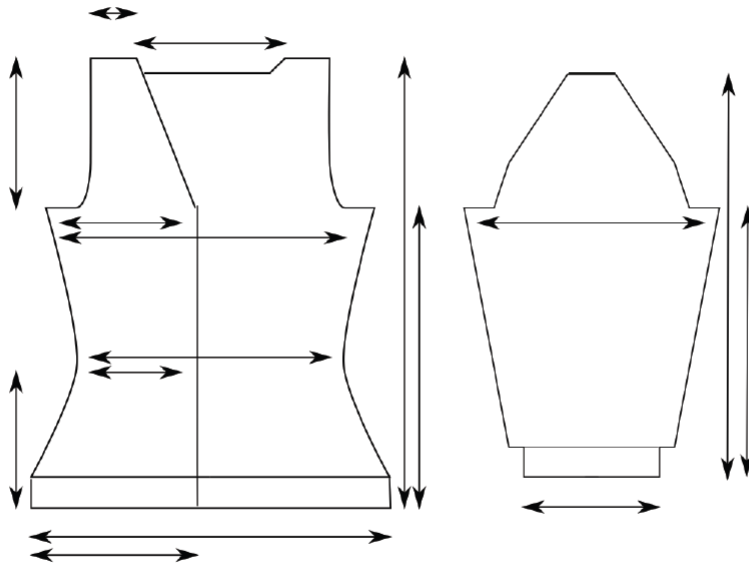
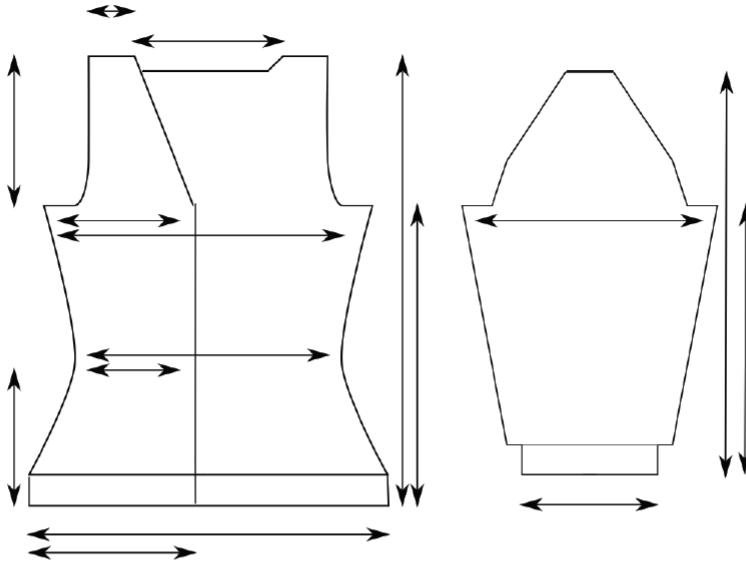


schematic (inches)



	1	2	3	4	5	6	7	8	9
back chest	20	22	24	26	28	30	32	34	36
back waist	17	19	21	23	25	28	30	32	34
back hip	22	24	26	28	30	32	34	36	38
front chest	8	9	10	11	12	13	14	15	16
front waist	6.5	7.5	8.5	9.5	10.5	12	13	14	15
front hip	9	10	11	12	13	14	15	16	17
full length	26	26	26.5	27	27.5	28	28.5	29	29.5
length to underarm	16	16	16	16.5	16.5	17	17	17.5	17.5
armhole depth	10	10	10.5	10.5	11	11	11.5	11.5	12
neck width	6	6	6.5	6.5	7	7	7.5	7.5	8
single shoulder	3.25	3.5	3.5	3.75	3.75	4	4	4.25	4.25
sleeve cuff	6	6.5	6.75	7.25	7.75	8	8.25	8.5	9
upper arm	11.5	12.5	13.5	14.5	15.5	16.5	17.5	18.5	19.5
sleeve length	23	23	23	23	23	23	23	23	23
sleeve to underarm	13	13	12.5	12.5	12	12	11.5	11.5	11

schematic (centimeters)



	1	2	3	4	5	6	7	8	9
back chest	51	56	61	66	71	76	81.5	86.5	91.5
back waist	43	48.5	53.5	58.5	63.5	71	76	81.5	86.5
back hip	56	61	66	71	76	81.5	86.5	91.5	96.5
front chest	20.5	23	25.5	28	30.5	33	35.5	38	40.5
front waist	16.5	19	21.5	24	26.5	30.5	33	35.5	38
front hip	23	25.5	28	30.5	33	35.5	38	40.5	43
full length	66	66	67.5	68.5	70	71	72.5	73.5	75
length to underarm	40.5	40.5	40.5	42	42	43	43	44.5	44.5
armhole depth	25.5	25.5	26.5	26.5	28	28	29	29	30.5
neck width	15	15	16.5	16.5	18	18	19	19	20.5
single shoulder	8.5	9	9	9.5	9.5	10	10	11	11
sleeve cuff	15	16.5	17	18.5	19.5	20.5	21	21.5	23
upper arm	29	32	34.5	37	39.5	42	44.5	47	49.5
sleeve length	58.5	58.5	58.5	58.5	58.5	58.5	58.5	58.5	58.5
sleeve to underarm	33	33	32	32	30.5	30.5	29	29	28