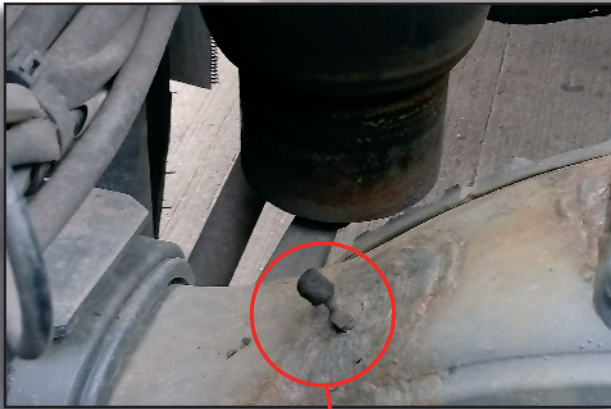


WINNARD

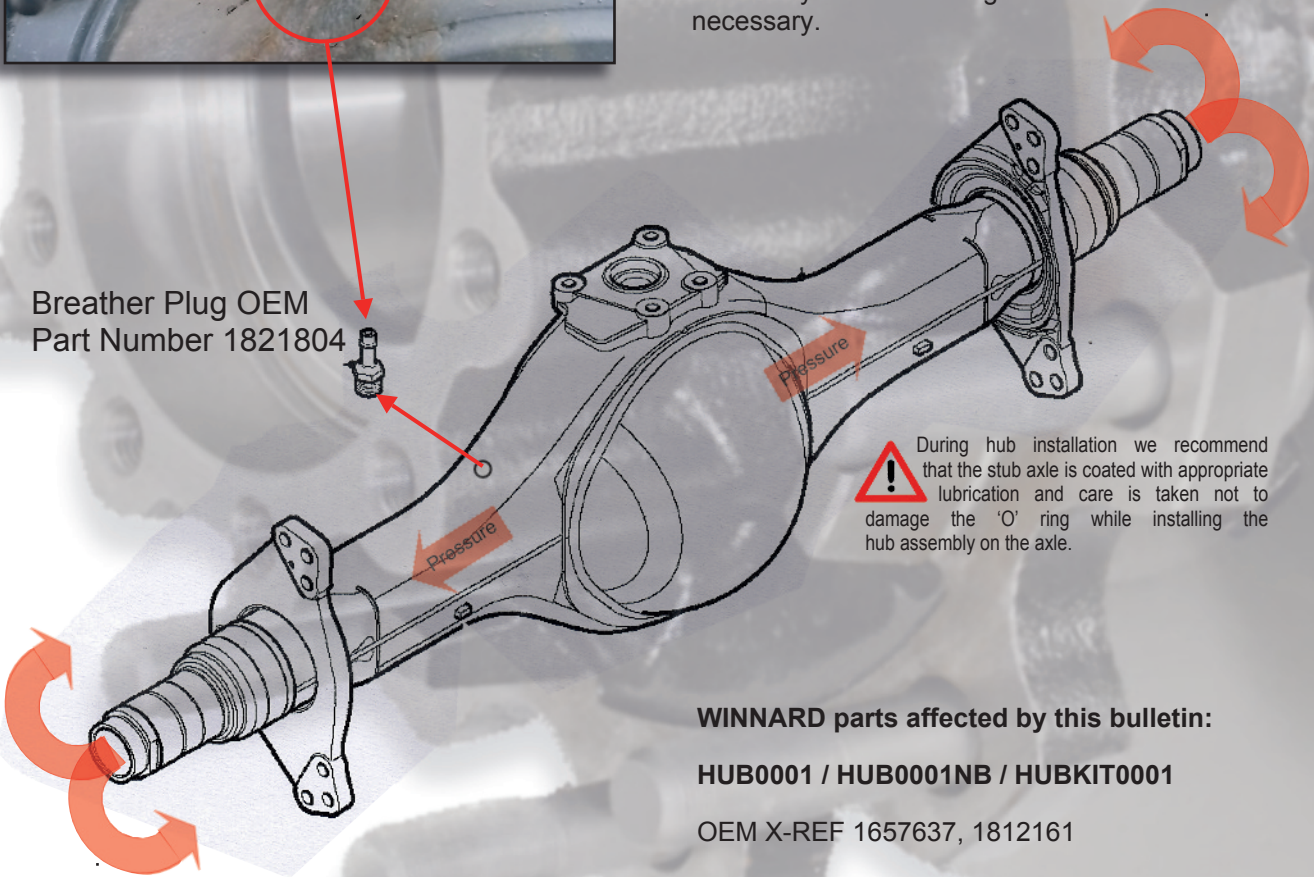
TECHNICAL BULLETIN

DAF CF & XF REAR HUB / WHEEL KIT INSTALLATION OBSERVATION



When fitting new hubs or wheel end kits to the rear axle of DAF CF or XF vehicles it is vital to check the condition of the breather plug to ensure that it is not blocked and is releasing the pressure that builds up within the axle. If this breather plug is blocked it can cause the hub seals to fail and leak oil from the hub. We are aware that some vehicle engineers have modified this plug to ensure it always maintains a constant open state but consult with your vehicle engineer to check if this is necessary.

Breather Plug OEM
Part Number 1821804



During hub installation we recommend that the stub axle is coated with appropriate lubrication and care is taken not to damage the 'O' ring while installing the hub assembly on the axle.

A blocked breather can create enough pressure to force oil out of the half shaft cover plate or past the internal hub 'O' ring.

WINNARD parts affected by this bulletin:

HUB0001 / HUB0001NB / HUBKIT0001

OEM X-REF 1657637, 1812161

HUB0002 / HUB0002NB / HUBKIT0002

OEM X-REF 1391617, 1818003

FAG0001

FAG REF 566283.01.H195