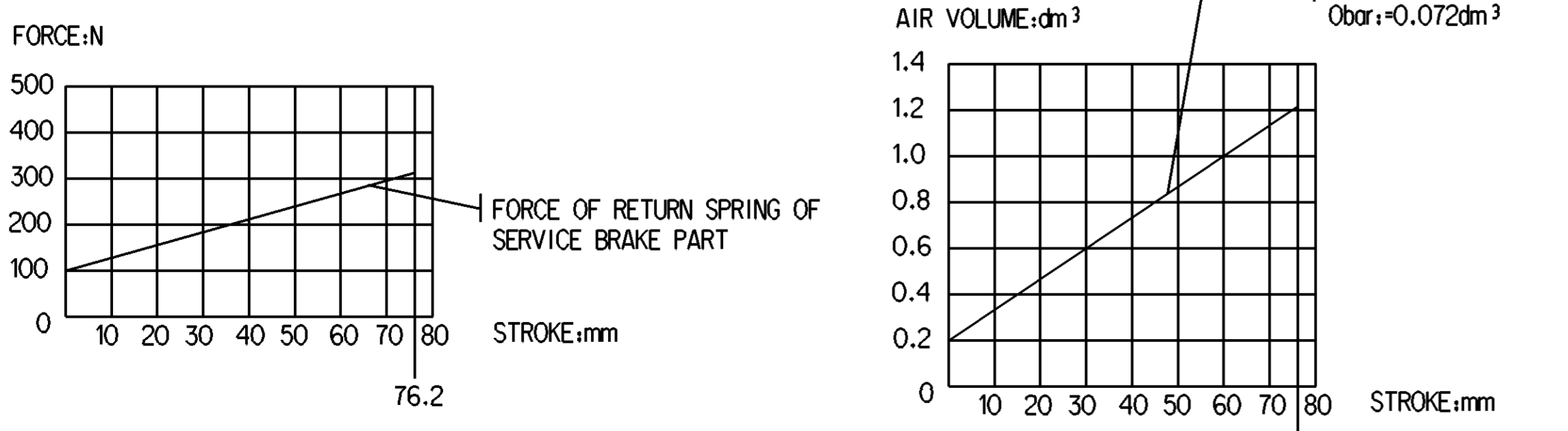
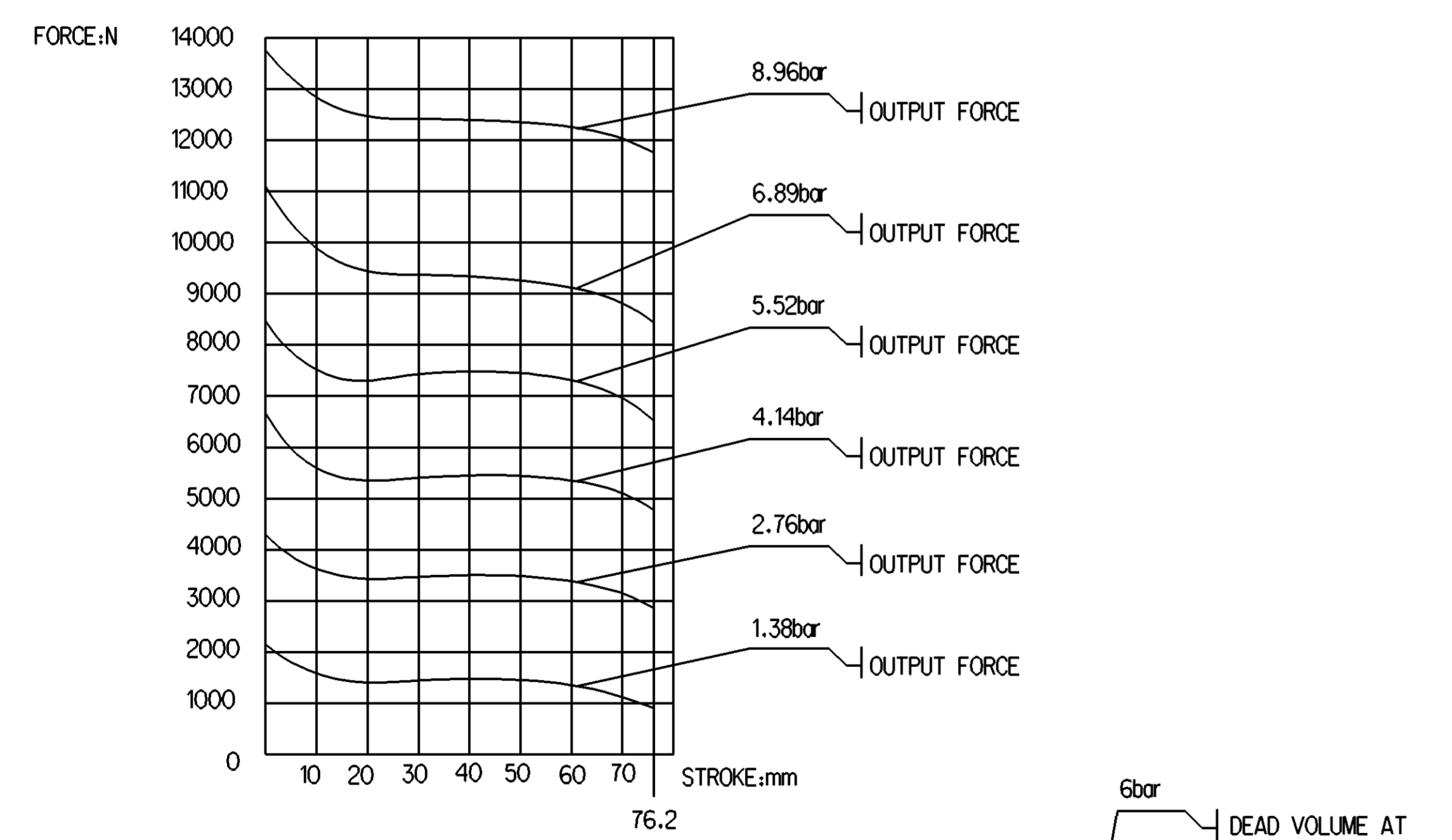
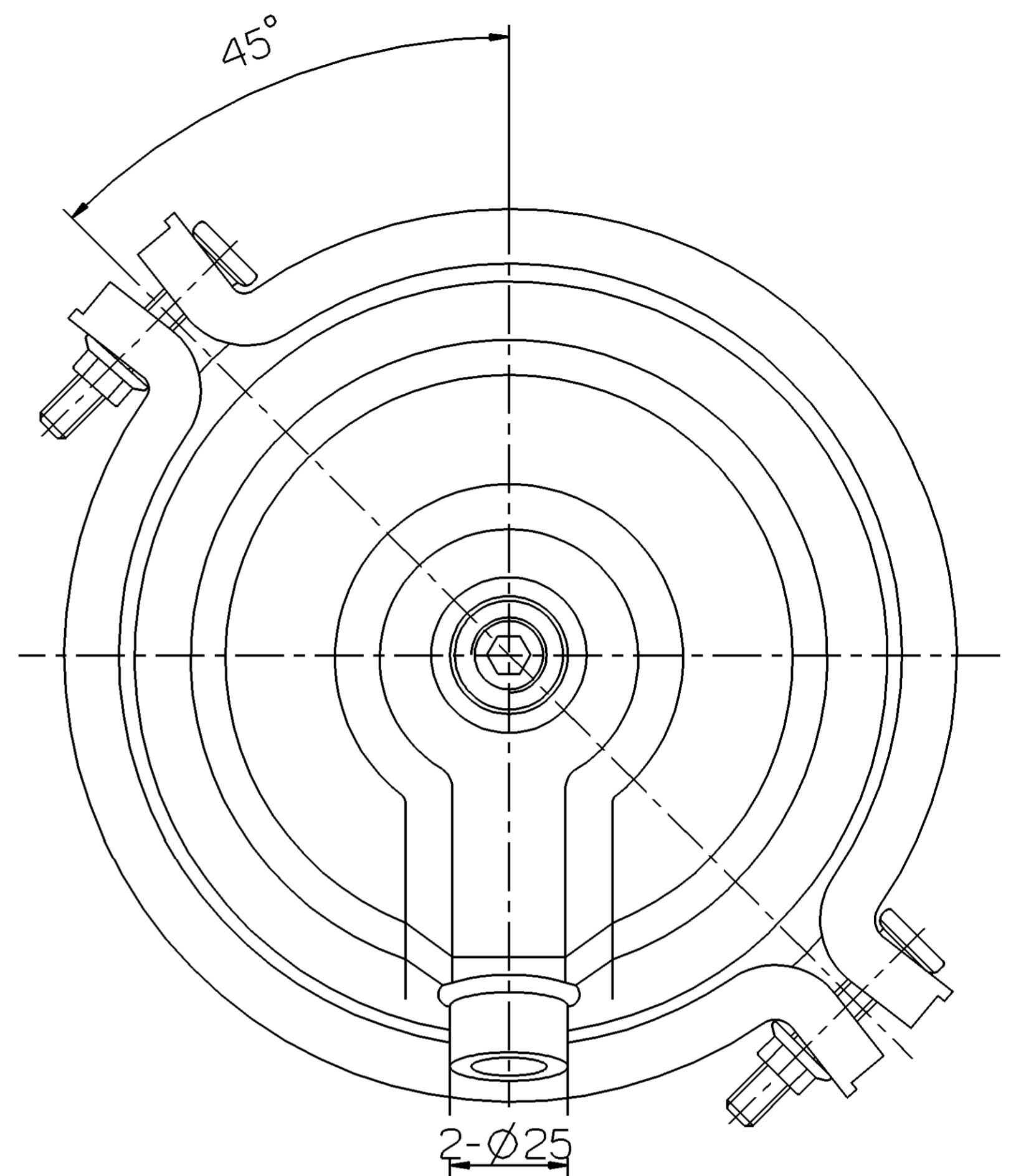
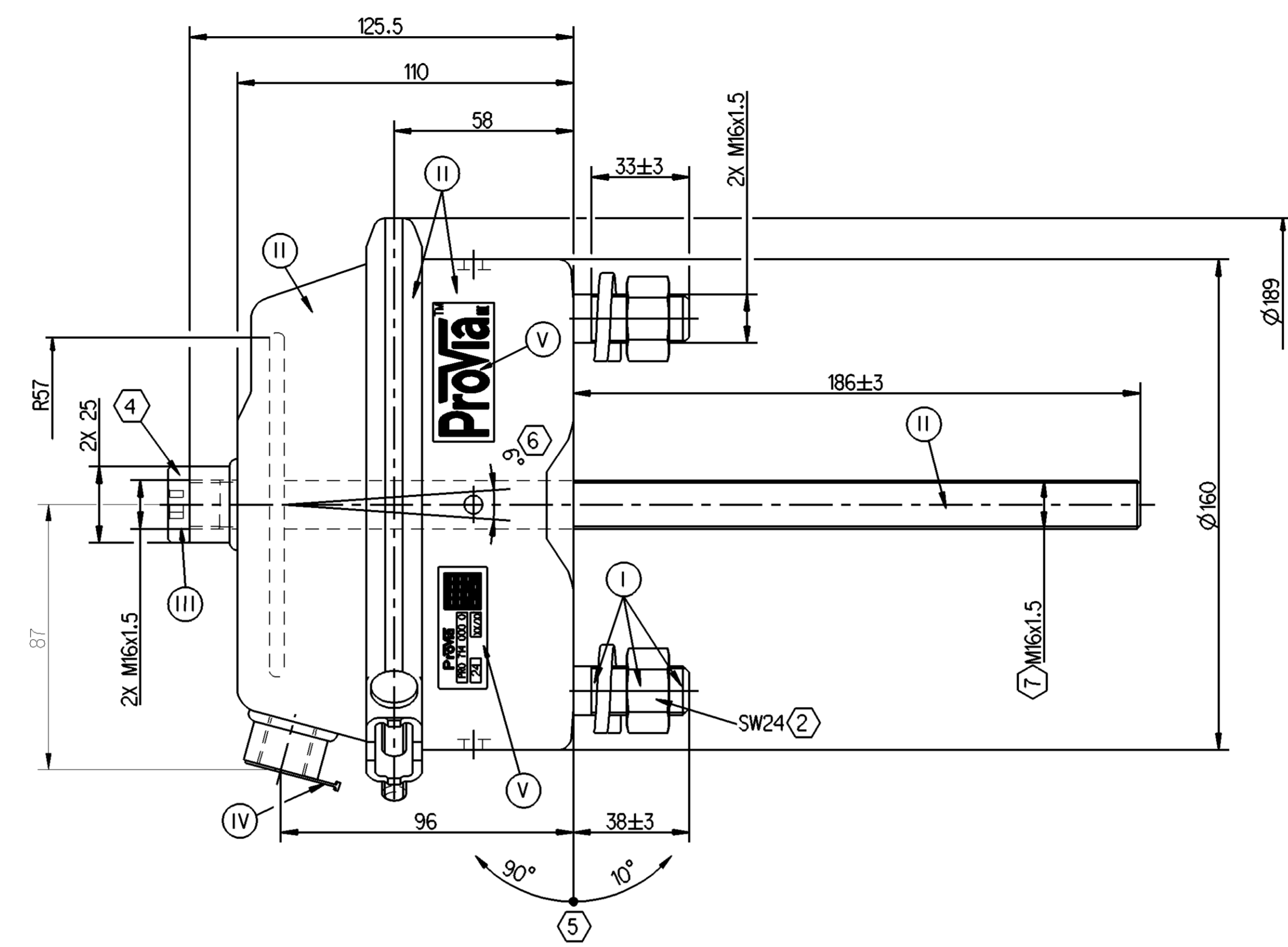
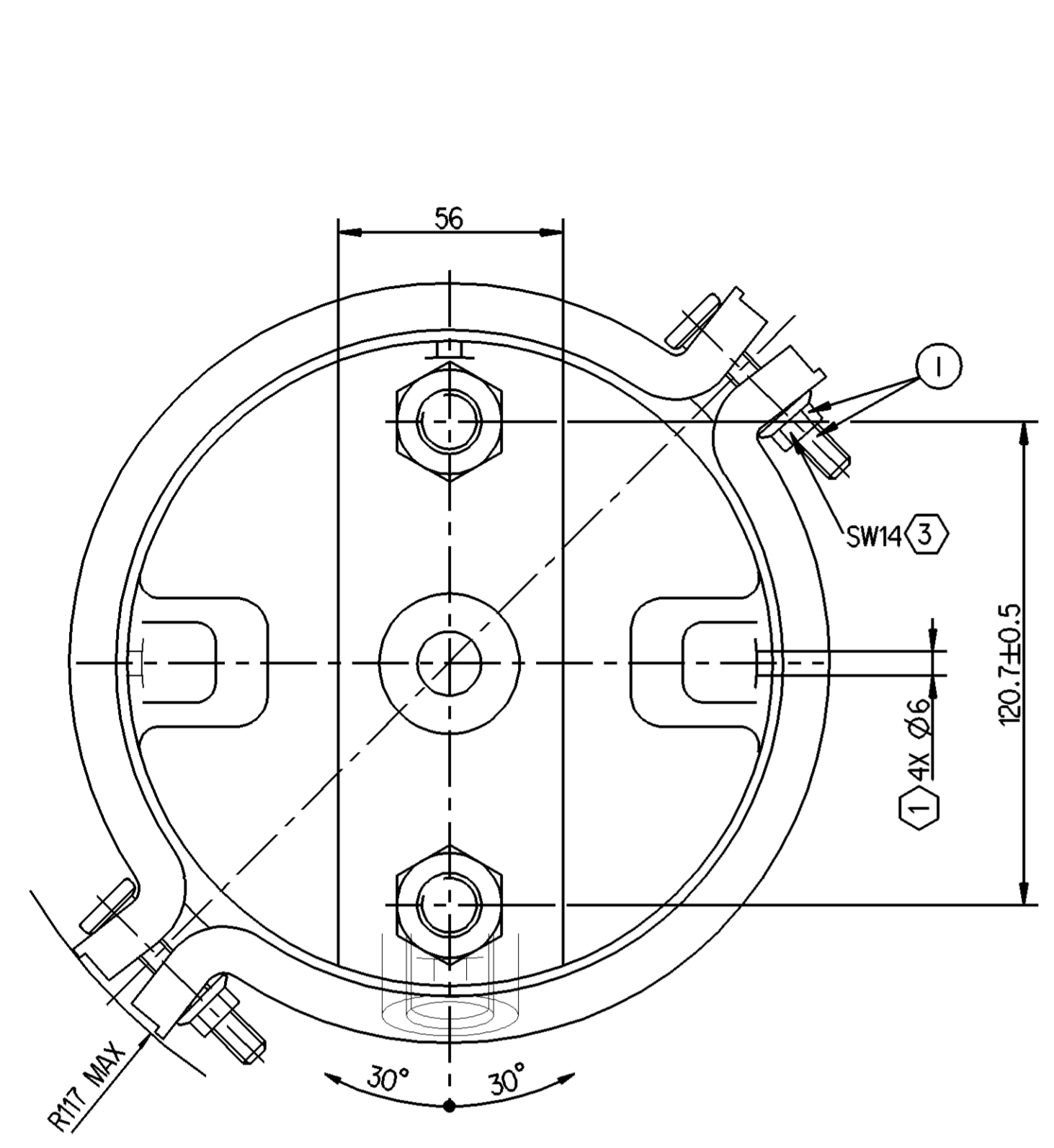


SURFACE PROTECTION	
I	ZINC PLATED WITH CR6+ FREE
II	ELECTRO-PAINTING
III	DACROMET
IV	HARD POLYETHYLENE
V	STICKER

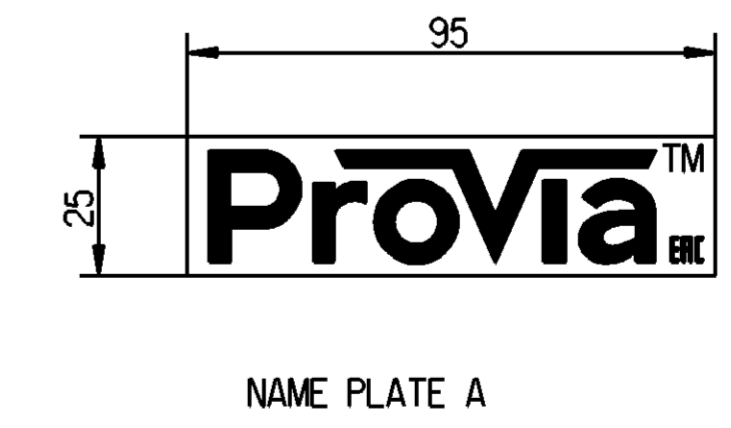
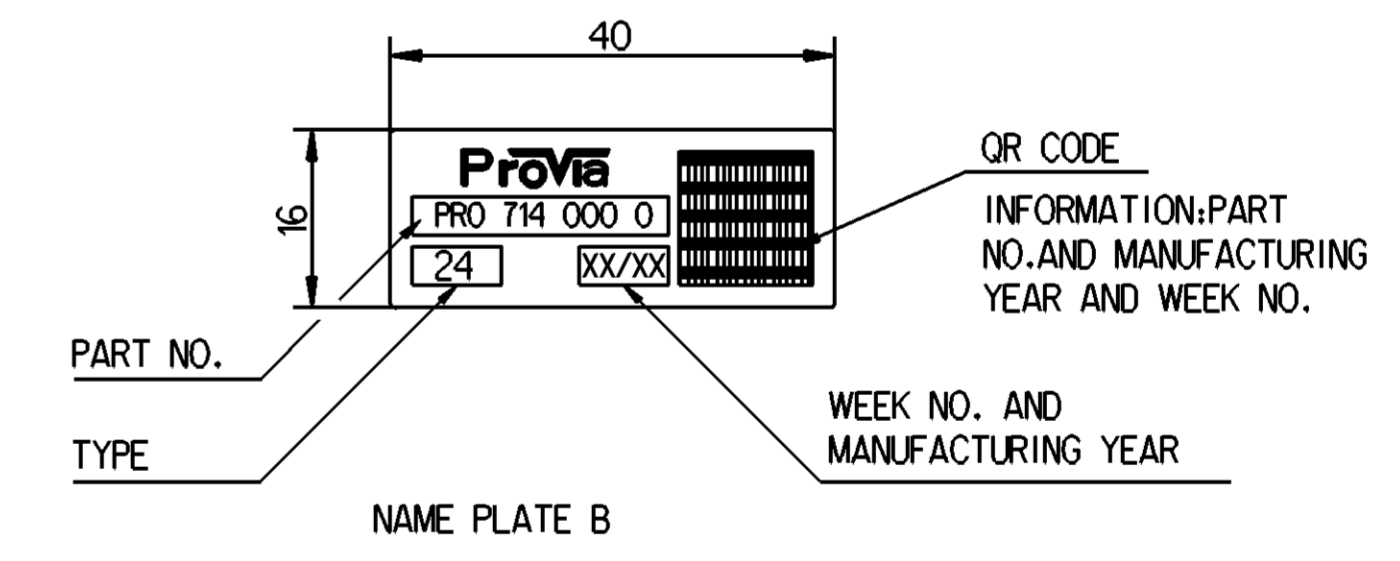
<->	SAFETY CHARACTERISTICS	0
<->	SIGNIFICANT CHARACTERISTICS	0



- ① OPEN BREATHER HOLE
- ② TORQUE: 220±20 Nm
- ③ TORQUE: ≥25Nm
- ④ TORQUE: 45±5Nm
- ⑤ ADMISSIBLE INSTALLATION POSITION
- ⑥ DEFLECTION: 6° MAX AT STROKE:0 mm
- ⑦ TORQUE: 80±10Nm

TECHNICAL REQUIREMENT: REQUIREMENT:

1. STROKE: ≥76.2mm;
2. WORKING PRESSURE: Pmax. 8.5 bar, Temporarily 10 bar;
3. WORKING TEMPERATURE: -40°C...+80°C (-40°F...+176°F);



General Specifications: JED-334-1 - Size ISO 14405 LP		Copyright WABCO®		ProVia	
Further Technical Data: Pro 714 016 0		Date	2019-09-20	Signature	Saravanan
Doc. Code: 035	Sheet: 01	To	05	BRAKE CHAMBER CAM 24	
General Tolerances JED-261		Checked		2019-10-04 Yerachelvan	
Range of Nominal Dimensions (± mm)		Expert		Aswin kumar	
Class	1)	≤ 50	> 50 < 180	≤ 180	> 180 < 400
Fine	X	0.5	1.0	1.5	2.0
Medium		1.0	2.0	3.0	4.0
Coarse		2.0	3.5	5.0	6.5
Tapped Holes acc. JED-152		Mass	3.6	Scale	1:1
1) Tolerance Class Applied Crossmarked		Size	CAD System	Material No.	PRO 714 000 0
		Doc. Code	005	Date of first issue	2019-10-04
		Revision	5340_AM	Language	EN
		Techn. Resp.		Sheet	1/1

Non è permesso copiare o riprodurre questo documento, né utilizzare il contenuto a fini commerciali, senza permesso scritto dalla WABCO. È vietata espressamente la ristampa o l'uso non autorizzato. Toute réimpression ou utilisation non autorisée sans la permission écrite de la WABCO est formellement interdite. Toute utilisation non autorisée sera considérée comme acte de contrefaçon et sera poursuivie en justice.