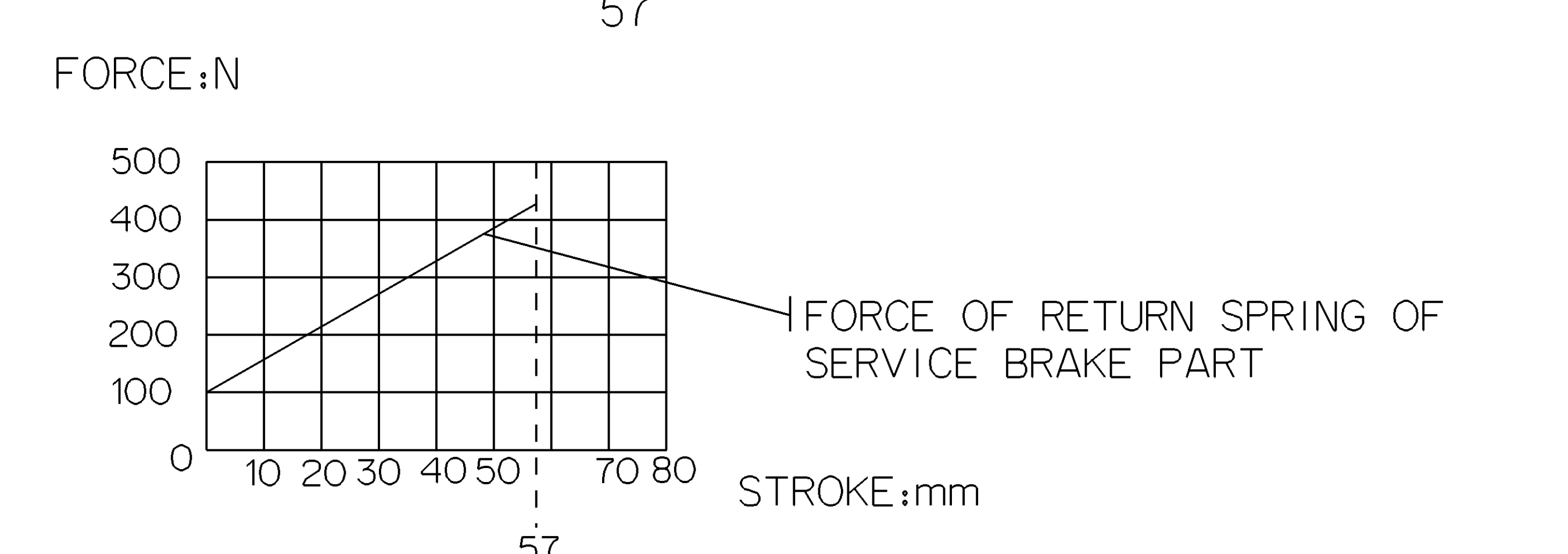
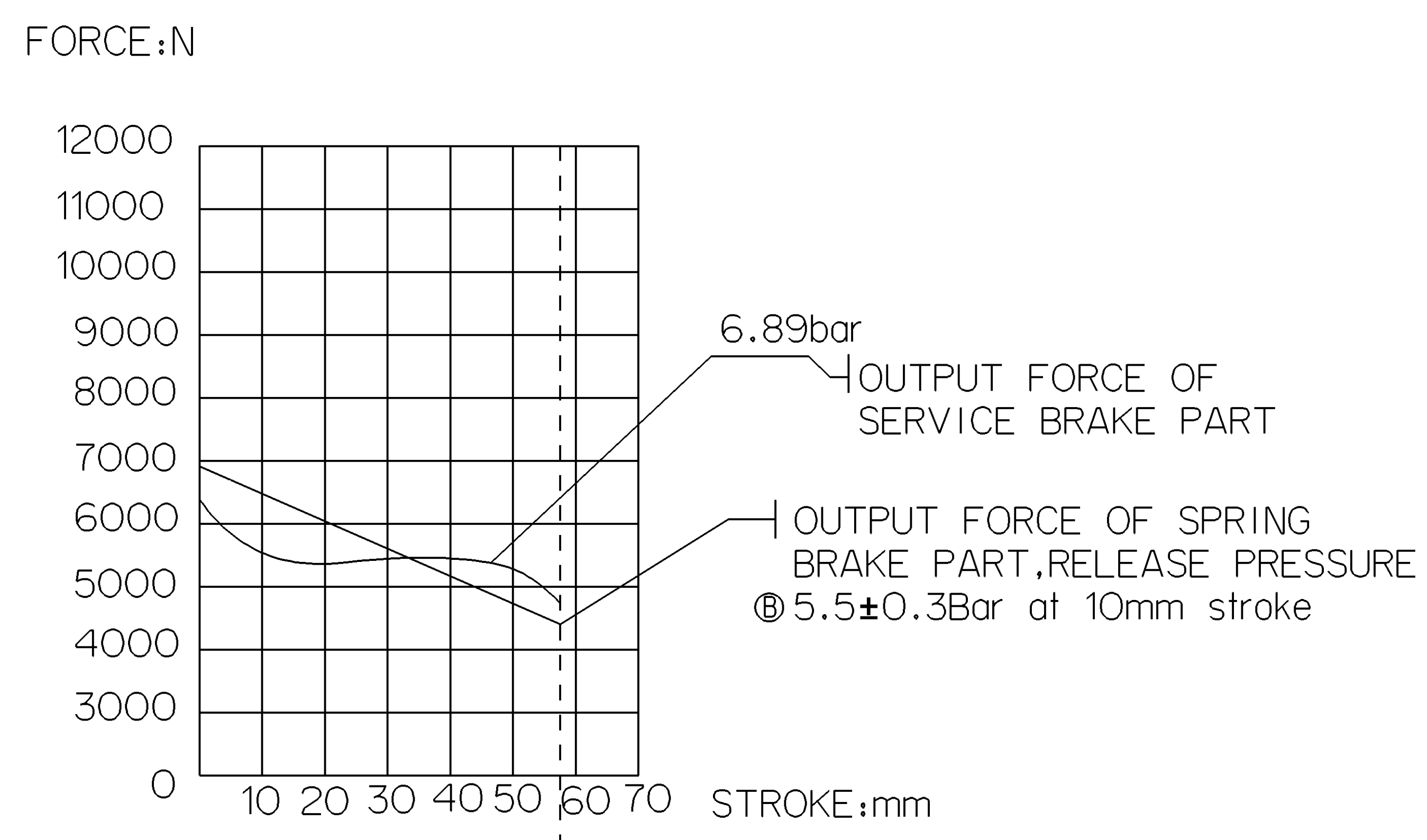
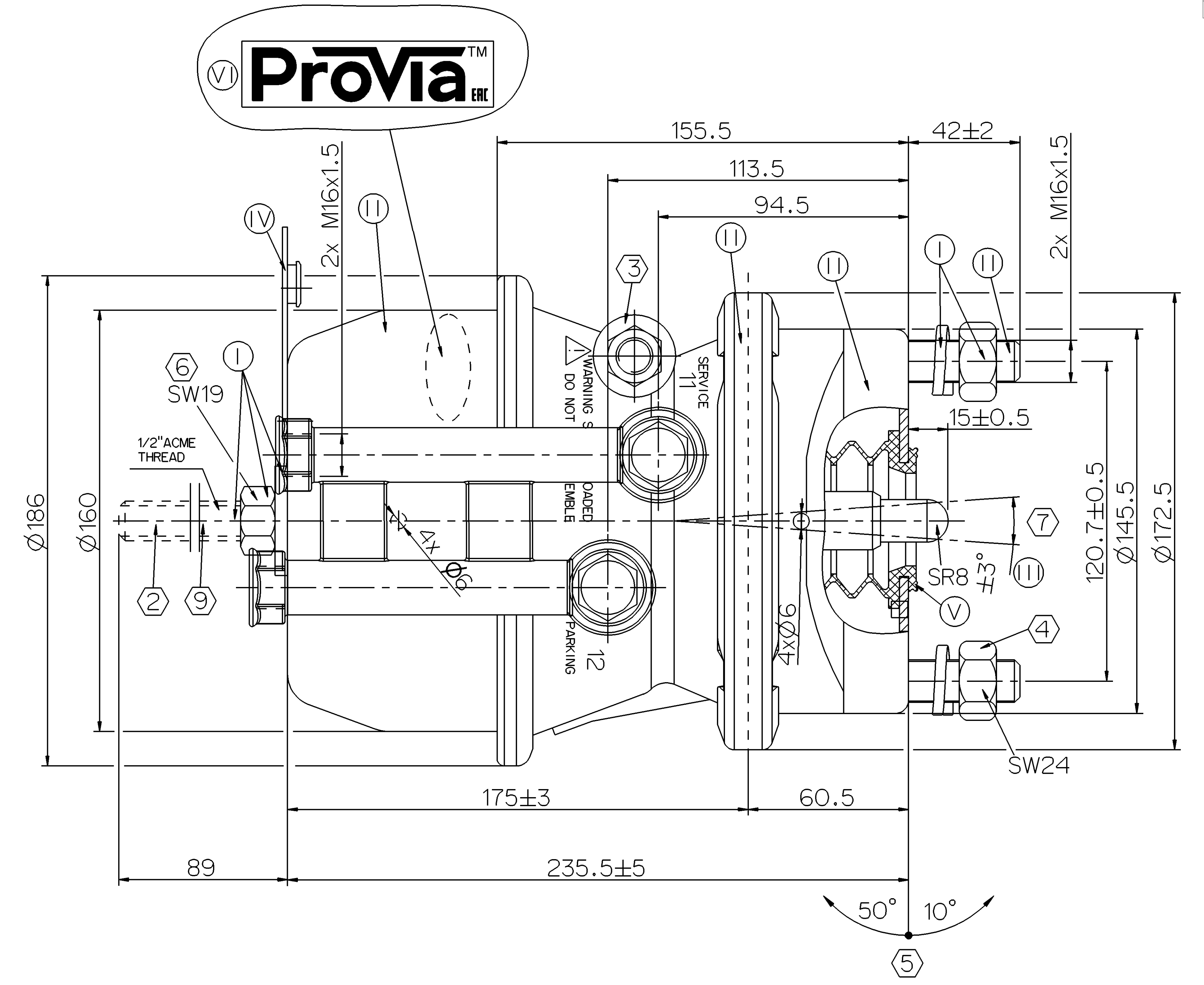
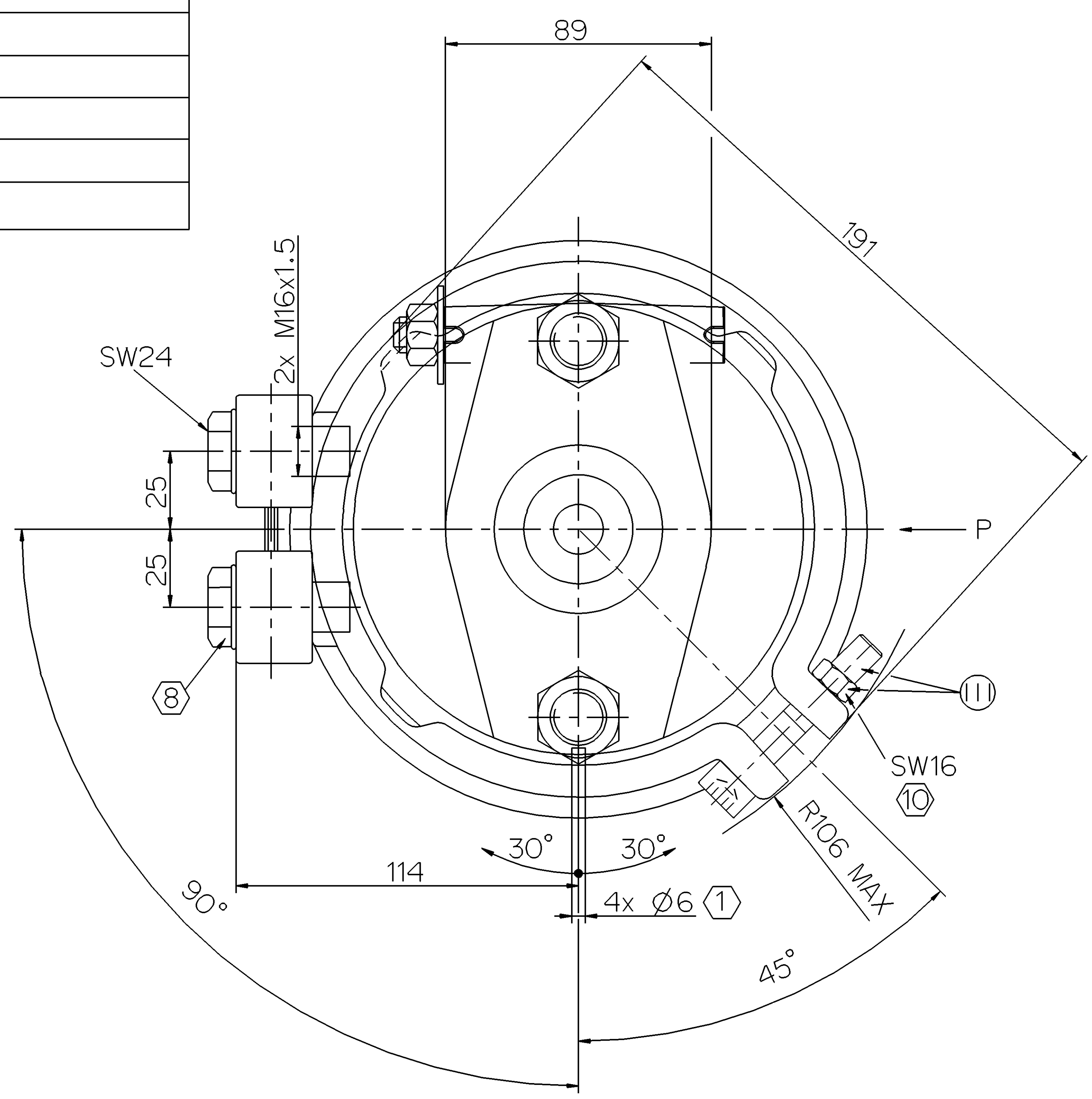
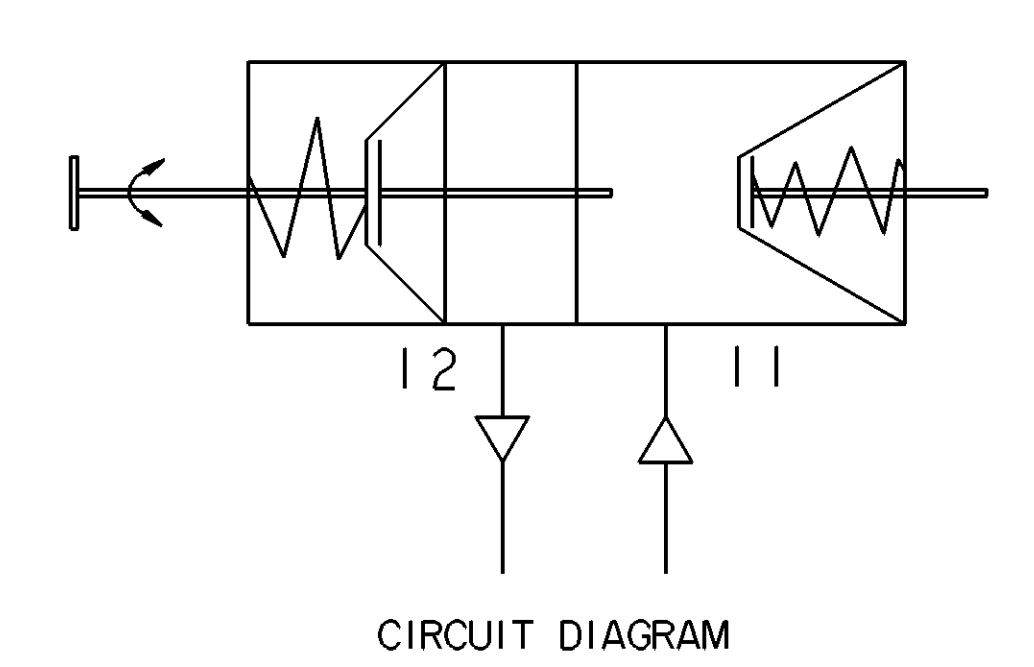
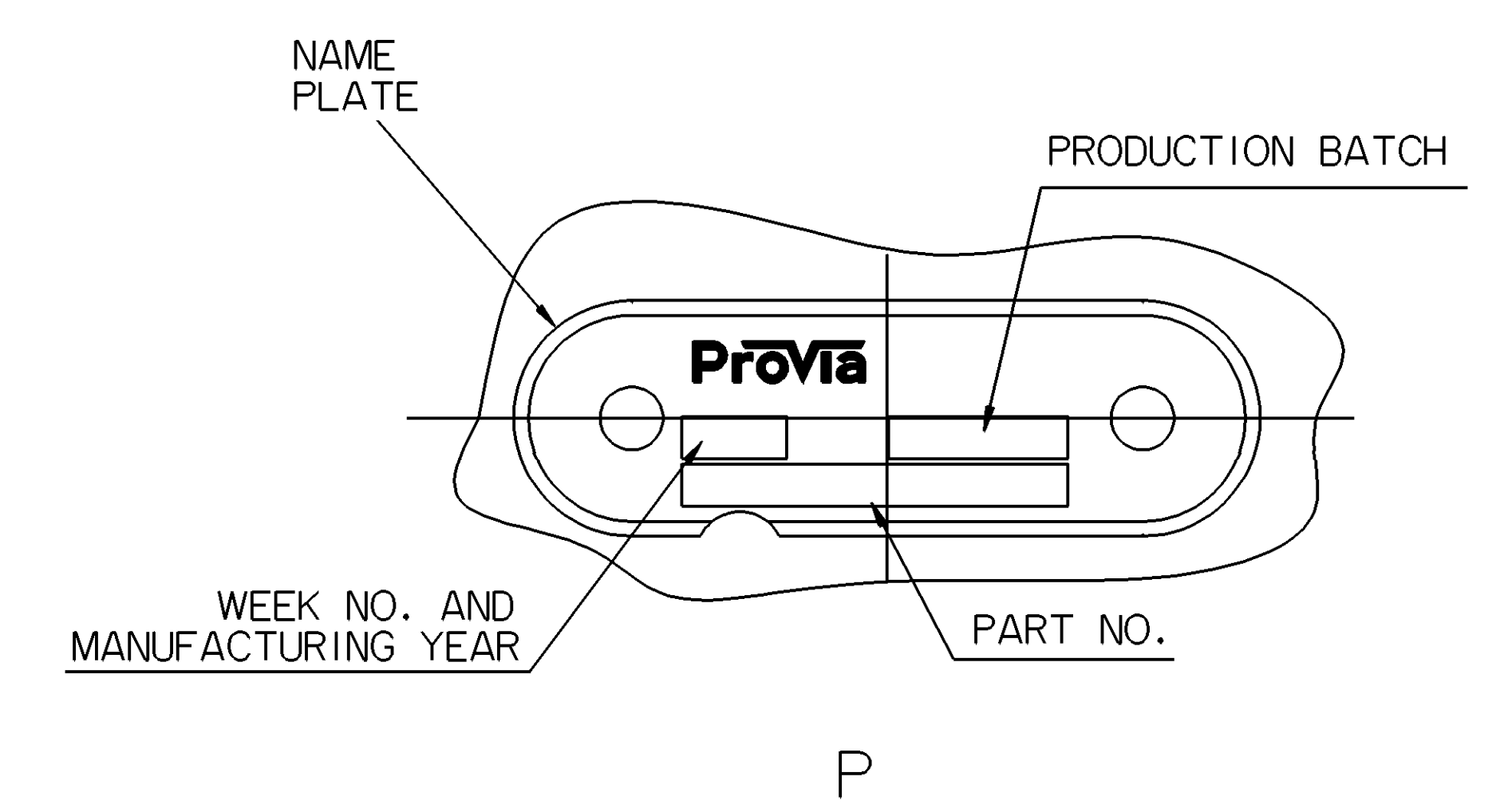


SURFACE PROTECTION	
I	ZINC PLATED WITH CR6+ FREE
II	ELECTRO-PAINTING
III	DACROMET
IV	HARD POLYETHYLENE
V	RUBBER
VI	STICKER



- ① OPEN BREATHER HOLE
- ② CONDITION AS SUPPLIED : SPRING BRAKE APPLIED
- ③ FIXTURE OF RELEASE BOLT TORQUE: 22.5±2.5 Nm
- ④ TORQUE: 220±20 Nm
- ⑤ ADMISSIBLE INSTALLATION POSITION
- ⑥ TORQUE:MAX.25Nm
- ⑦ DEFLECTION: 6° MAX AT STROKE:0 mm
- ⑧ TORQUE: 34Nm MAX.
- ⑨ RELEASED POSITION
- ⑩ TORQUE: ≥25Nm

TECHNICAL REQUIREMENT  
 1.STROKE:  
 PARKING CHAMBER: ≥57mm  
 SERVICE CHAMBER: ≥57mm;  
 2.WORKING PRESSURE:  
 SERVICE CHAMBER: Pmax 10.5 bar, TEMPORARILY 13 bar MAX;  
 PARKING CHAMBER: Pmax 8.5 bar, TEMPORARILY 10 bar MAX  
 3.WORKING TEMPERATURE:-40°C..+80°C  
 4.THE DRAWING IS AT CAGED CONDITION,THE PARKING CHAMBER WILL BE AT UNCAGED CONDITION DURING SHIPMENT



GRAPHS FOR INFORMATION ONLY

General Specification: EB-324-1, Size ISO 14405 LP	Copyright: 2019	ProVia
Further Technical Data: PRO 712 715 G	Doc. Code: 043	DOUBLE DIAPHRAGM SPRING BRAKE ACTUATOR
Class: 1.0	Size: 7.2	16/24
Material: Steel	Revision: 005	EN 1/1