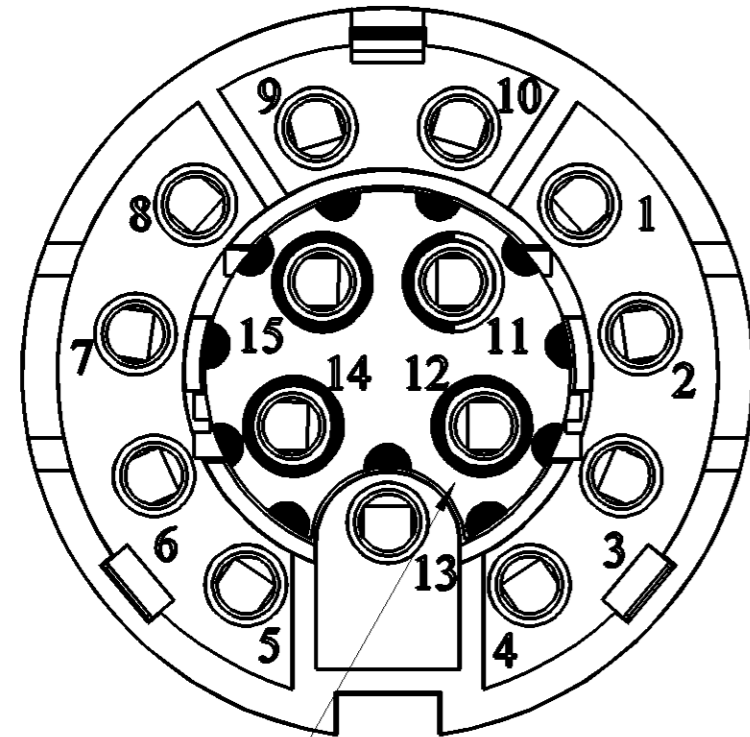
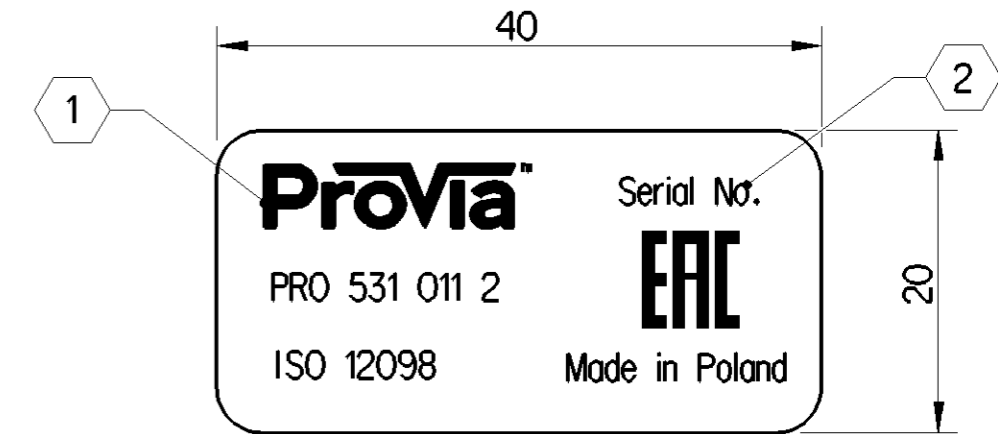
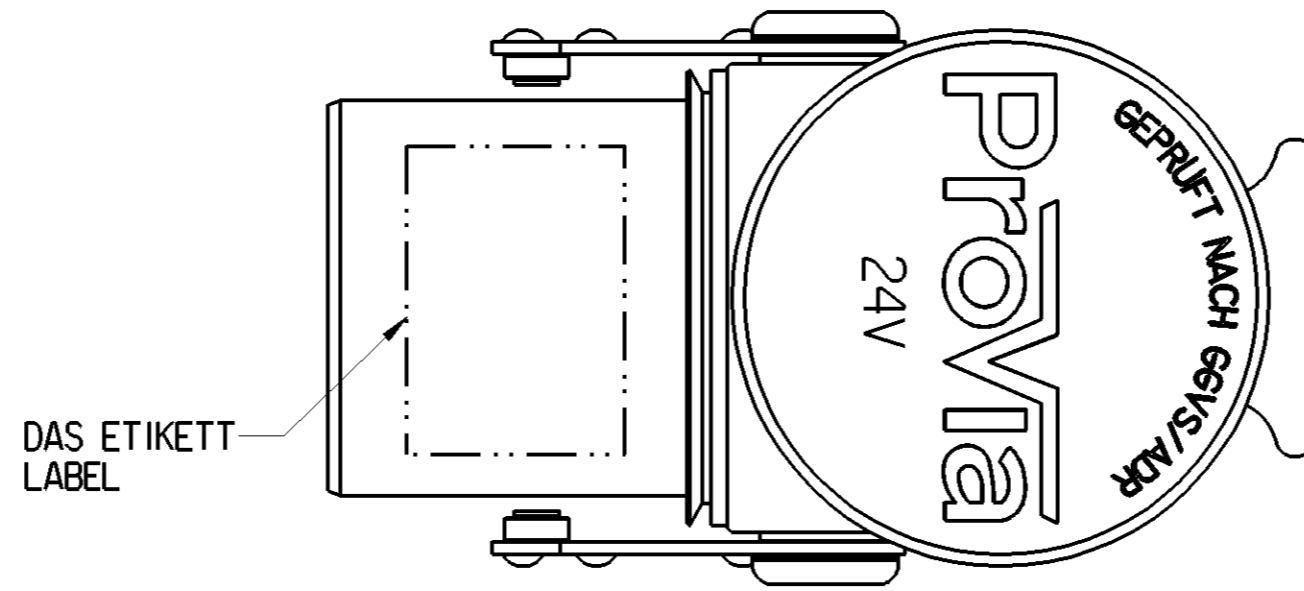
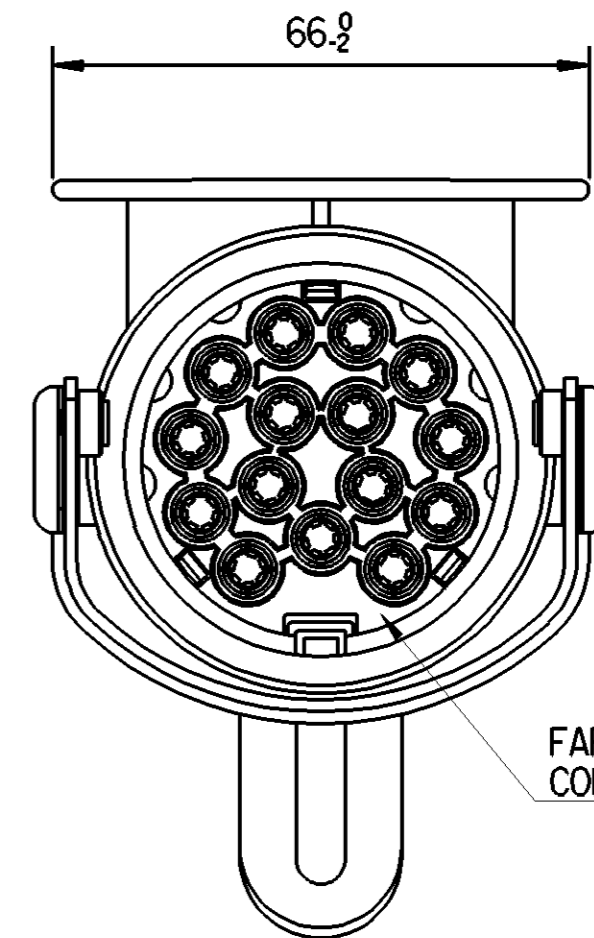
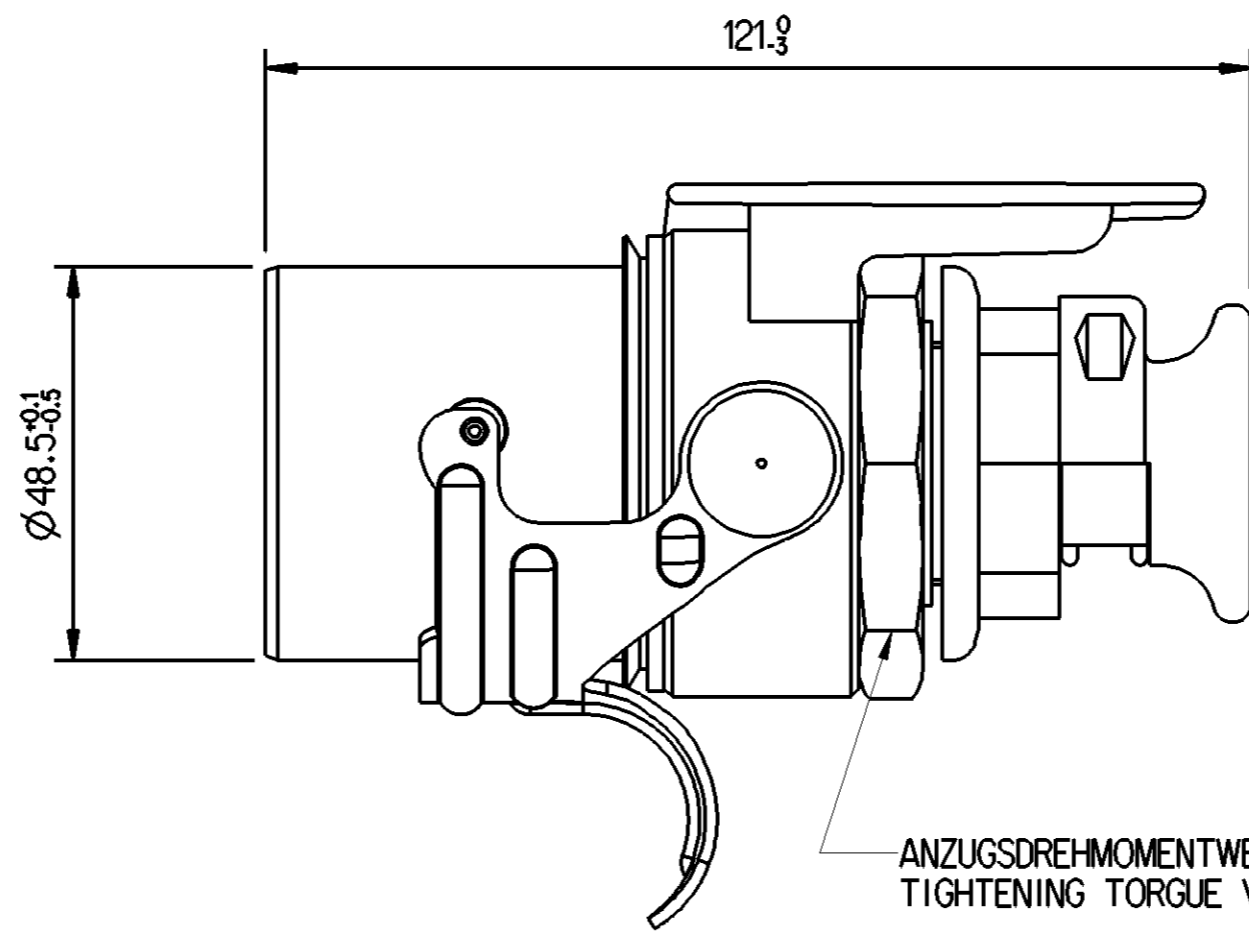


NUMBER NUMBER	FARBE COLOR	QUERSCHNITT(mm2) CROSS SECTION (mm2)
1	GELB \ YELLOW	1.5
2	GRUEN \ GREEN	
3	BLAU \ BLUE	
4	WEISS \ WHITE	2.5
5	SCHWARZ \ BLACK	
6	BRAUN \ BROWN	1.5
7	ROT \ RED	
8	PINK	
9	ORANGE	2.5
10	GRAU \ GREY	
11	WEISS - SCHWARZ WHITE - BLACK	1.5
12	WEISS - BLAU WHITE - BLUE	
13	WEISS - ROT WHITE - RED	2.5
14	WEISS - GRUEN WHITE - GREEN	
15	WEISS - BRAUN WHITE - BROWN	1.5

<1> SAFETY CHARACTERISTICS	0
<2> SIGNIFICANT CHARACTERISTICS	0



AUFKLEBER MIT ADERN NUMMER UND FARBEN
LABEL WITH CORE COLOR AND NUMBER



- BEMERKUNGEN:**
1. ENTSPRICHT - ISO 12098
 2. SPANNUNG - 24V
 3. TEMPERATURBEREICH -40°C....+80°C
 4. MATERIAL-GEHAUSE - PA6+30GF
 5. SCHUTZART - IP67 ISO 60529

- 1 LOGO ACCORDING TO JED-868
LOGO NACH JED-868
- 2 MANUFACTURING WEEK / YEAR
HERSTELLUNG KW / R

- NOTES:**
1. CORRESPONDS TO - ISO 12098
 2. VOLTAGE - 24V
 3. TEMPERATURE RANGE -40°C....+80°C
 4. MATERIAL-BODY - PA6+30GF
 5. DEGREE OF PROTECTION - IP67 ISO 60529

GENERELLE SPEZIFIKATION : ISO 12098; ISO 4091; JED-367; JED-220; JED-762; JED-622
GENERAL SPECIFICATION : ISO 12098; ISO 4091; JED-367; JED-220; JED-762; JED-622

General Specification: JED-334-1, Size ISO 14405 LP		Copyright WABCO®		ProVia	
Further Technical Data:		Date	Signature	Date of first issue: 2017-12-04	
Doc. Code:	Sheet: To	2017-12-04	Shamugom	PLUG 15-POLE, 24V STECKER 15-POLIG, 24V	
General Tolerances JED-261		Checked	Volkrosu	Doc.Code Language Sheet	
Range of Nominal Dimensions (± mm)		Expert		005 EN 1/1	
Class 1)	≤ 50 > 50 ≤ 180 > 180 ≤ 400 > 400	Suresh Goyakwad		ECN-No. Revision Techn. Resp. Replacement for	
Fine	0.5 1.0 1.5 2.0	Mass Scale	Material No.	PRO 531 011 2	
Medium	1.0 2.0 3.0 4.0	0.34 KG	NTS	-	
Coarse	2.0 3.5 5.0 6.5	Size CAD System	A 2 CREO	-	
Tapped Holes acc.		±3°		-	
1) Tolerance Class Applied Crossmarked		-		-	

Non e permesso, concesso o terzi o riproduzione di questo documento, ne utilizzare il contenuto o renderlo comunque noto o terzi senza autorizzazione esplicita. Ogni infrazione costituisce un evidente abuso e comporterà il risarcimento dei danni subiti. E' fatta riserva di tutti i diritti derivanti da brevetti o modelli.

Copying of this document and giving it to others and the use or communication of the contents thereof, are forbidden, without express authority. Contravention of this restriction will constitute an evident abuse and result in a liability to the payment of damages. All rights are reserved in the event of the grant of patent or registration of a utility model or design. This document is the subject of copyright.

Toute communication ou reproduction de ce document, toute exploitation ou communication de son contenu sont interdites, sauf autorisation expresse. Tout manquement a cette regle constitue un abus evident et expose son auteur au versement de dommages et interets. Tous droits de propriete industrielle reserves, notamment en matiere de brevets et de modesles.

Weitergabe sowie Vervielfältigung dieses Urteiles, Vervielfältigung und Mitteilung desselben nicht gestattet, soweit nicht ausdrücklich ansonsten, zweckbindend, stellen eine offensichtliche Missbrauch dar und verpflichten zu Schadensersatz. Alle Rechte hier den Fall der Patenterteilung oder Gebrauchsmuster-Eintragung vorbehalten.