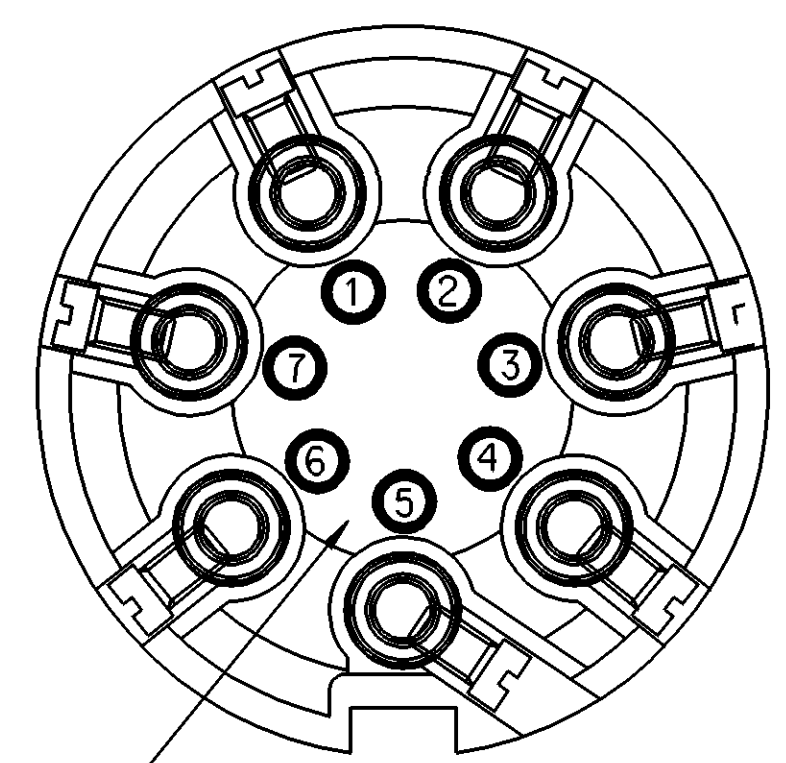
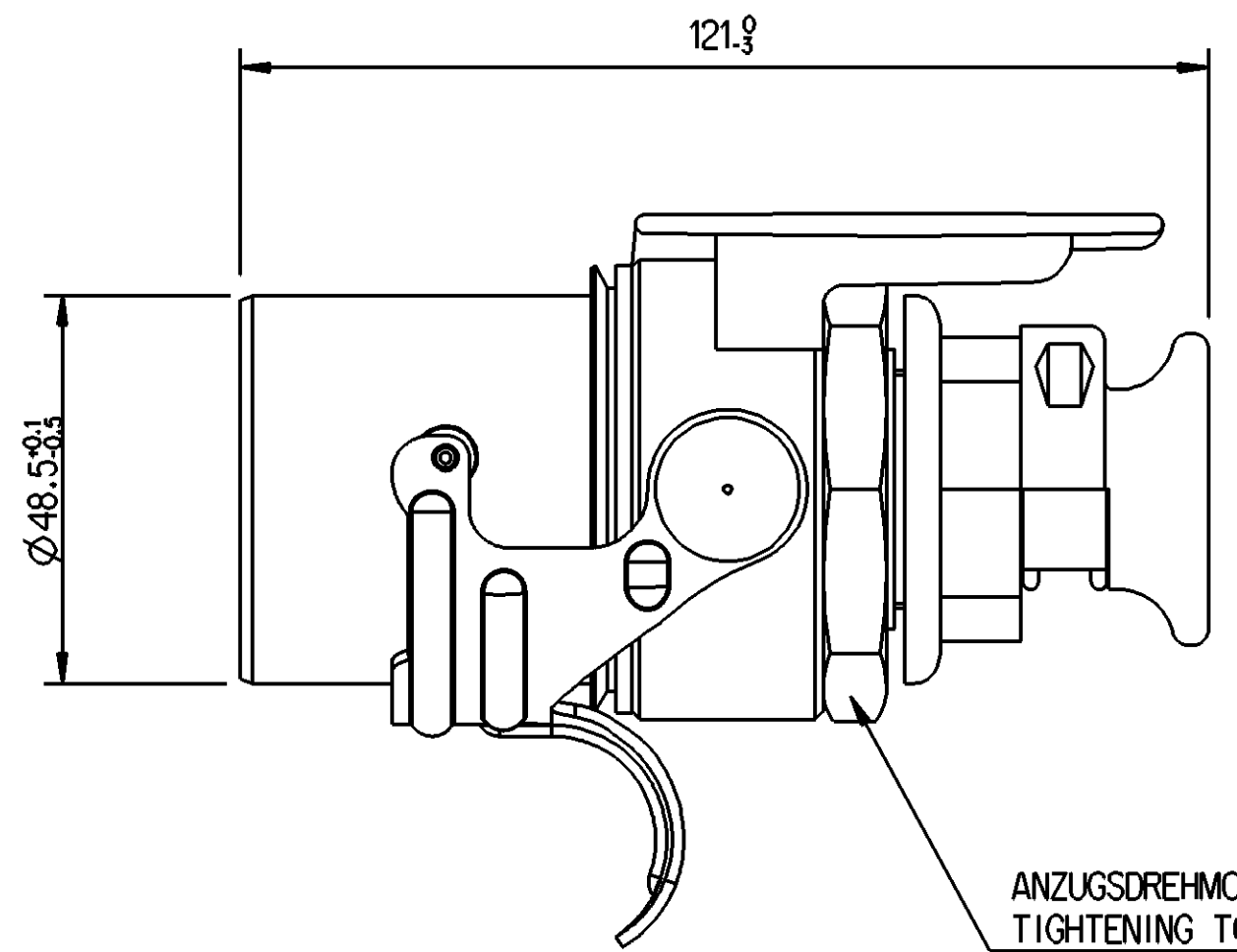


NUMMER NUMBER	FARBE COLOR	QUERSCHNITT(mm2) CROSS SECTION (mm2)
1	ROT \ RED	4
2	SCHWARZ \ BLACK	1.5
3	GELB \ YELLOW	
4	BRAUN \ BROWN	4
5	WEISS \ WHITE	1.5
6	WEISS - GRUEN WHITE - GREEN	1.5
7	WEISS - BRAUN WHITE - BROWN	

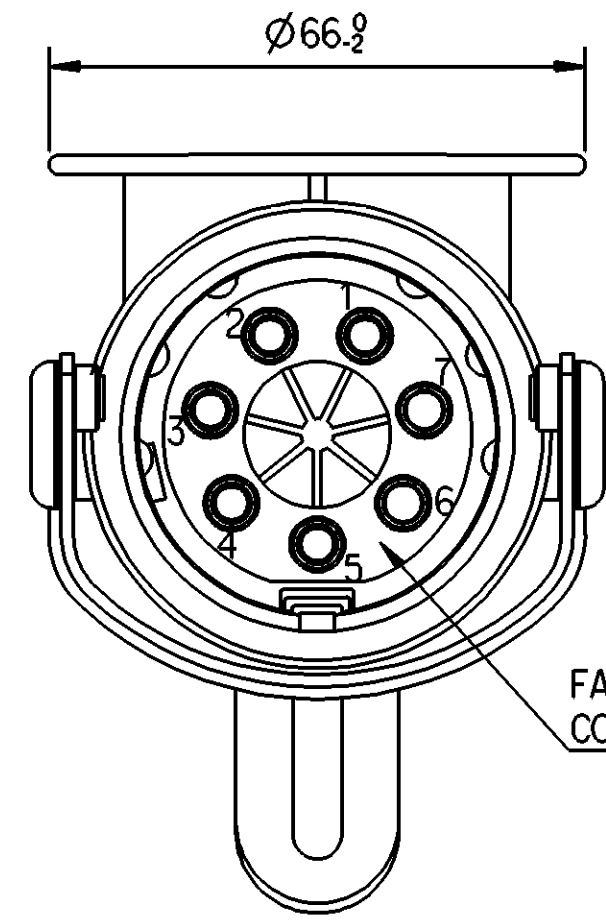
SAFETY CHARACTERISTICS	0
SIGNIFICANT CHARACTERISTICS	0



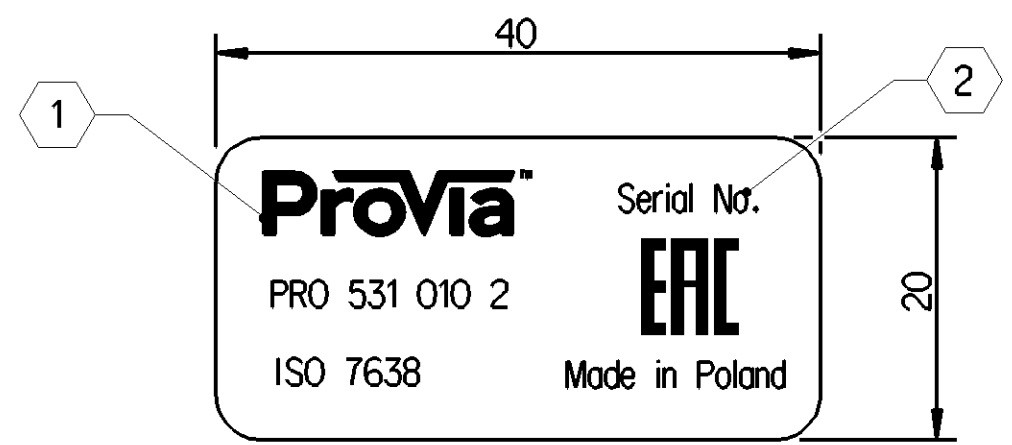
AUFKLEBER MIT ADERN NUMMER UND FARBEN
LABEL WITH CORE COLOR AND NUMBER



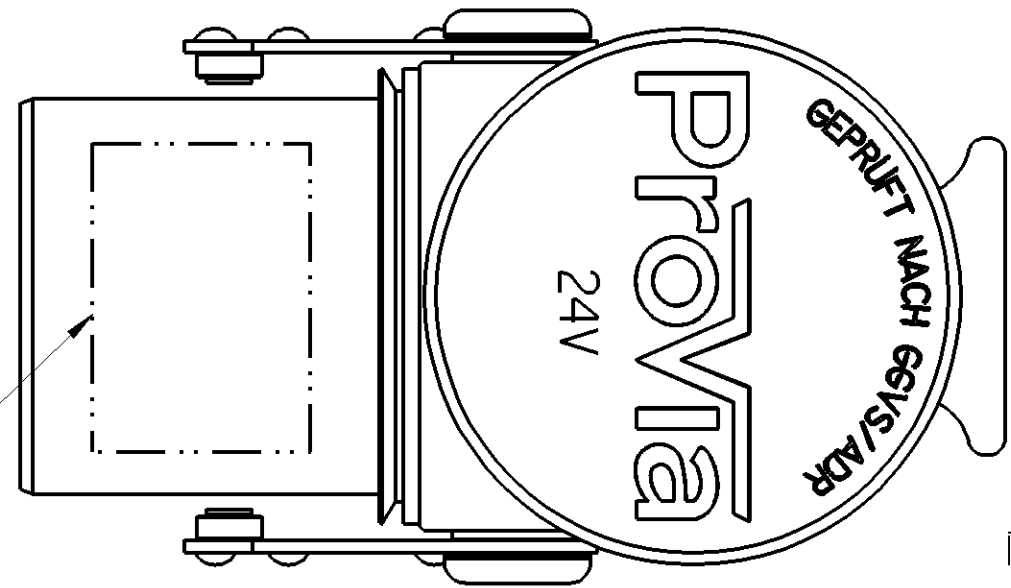
ANZUGSDREHMOMENTWERT 4Nm
TIGHTENING TORQUE VALUE 4Nm



FARBE-SCHWARZ
COLOR-BLACK



KENNZEICHNUNGSETIKETT / LABEL



DAS ETIKETT
LABEL

- BEMERKUNGEN:**
- ENTSPRICHT - ISO 7638
 - SPANNUNG - 24V
 - TEMPERATURBEREICH -40°C....+80°C
 - MATERIAL-GEHAUSE - PA6+30GF
 - SCHUTZART - IP67 ISO 60529

- NOTES:**
- CORRSPONDS TO - ISO 7638
 - VOLTAGE - 24V
 - TEMPERATURE RANGE -40°C....+80°C
 - MATERIAL-BODY - PA6+30GF
 - DEGREE OF PROTECTION - IP67 ISO 60529

- LOGO ACCORDING TO JED-868
LOGO NACH JED-868
- MANUFACTURING WEEK / YEAR
HERSTELLUNG KW / R

GENERELLE SPEZIFIKATION : ISO 7638; ISO 4091; JED-367; JED-220; JED-762; JED-622
GENERAL SPECIFICATION : ISO 7638; ISO 4091; JED-367; JED-220; JED-762; JED-622

General Specification: JED-334-1, Size ISO 14405 LP		Copyright WABCO®		ProVia		
Further Technical Data:		Date	Signature	Date of first issue: 2017-12-04		
Doc. Code:	Sheet:	To	Drawn	Doc.Code Language Sheet		
			2017-12-04	Shamugam	PRO 531 010 2	
General Tolerances JED-261			Checked	Replacement for		
Range of Nominal Dimensions (± mm)			2017-12-04	Volkrosu	005 ML 1/1	
Class 1)			Expert	ECN-No. Revision Techn. Resp.		
	≤ 50	> 50 ≤ 180	Suresh Gayakwad	6280_AM		
Fine	0.5	1.0	Scale	Material No.		
Medium	1.0	2.0	0.27	PRO 531 010 2		
Coarse	2.0	3.5	NTS	Date of first issue: 2017-12-04		
Tapped Holes acc.			Size	Date of first issue: 2017-12-04		
1) Tolerance Class Applied Crossmarked			A 2	Date of first issue: 2017-12-04		
			CAD System	Date of first issue: 2017-12-04		
			CREO	Date of first issue: 2017-12-04		

Non e permesso, concesso o terzi o riprodurre questo documento, ne utilizzare il contenuto o renderlo comunque noto o terzi senza autorizzazione esplicita. Ogni infrazione costituisce un evidente abuso e comportera il risarcimento dei danni subiti. E' fatta riserva di tutti i diritti derivanti da brevetti o modelli.
 Coping of this document and giving it to others and the use or communication of the contents thereof, are forbidden, without express authority. Contravention of this restriction will constitute an evident abuse and result in a liability to the payment of damages. All rights are reserved in the event of the grant of patent or registration of a utility model or design. This document is the subject of copyright.
 Toute communication ou reproduction de ce document, toute exploitation ou communication de son contenu sont interdites, sauf autorisation expresse. Tout manquement a cette regle constitue un abus evident et expose son auteur au versement de dommages et interets. Tous droits de proprieite industrielle reserves, notamment en matiere de brevets et de modesles.
 Weitergabe sowie Vervielfaltigung dieser Unterlagen, Verleihen und Mitteilen ihres Inhalts nicht gestattet, soweit nicht ausdrucklich andersbestimmt. Wiederholungen stellen einen offensichtlichen Missbrauch dar und verpflichten zu Schadenersatz. Alle Rechte hier den Fall der Patentierung oder Gebrauchsmuster-Eintragung vorbehalten.