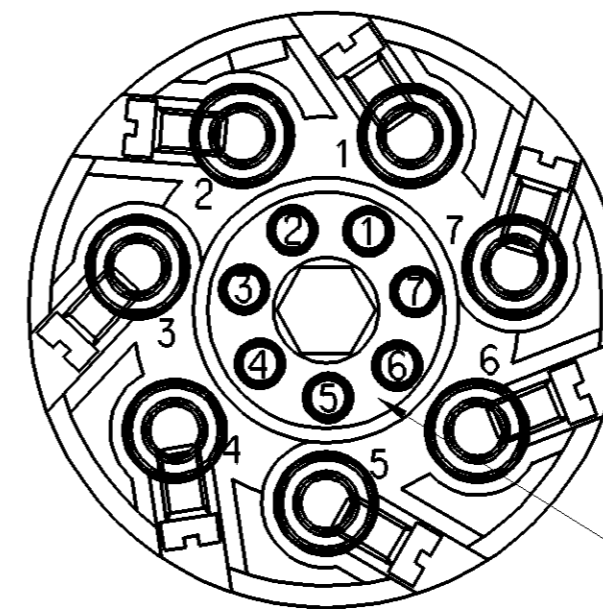
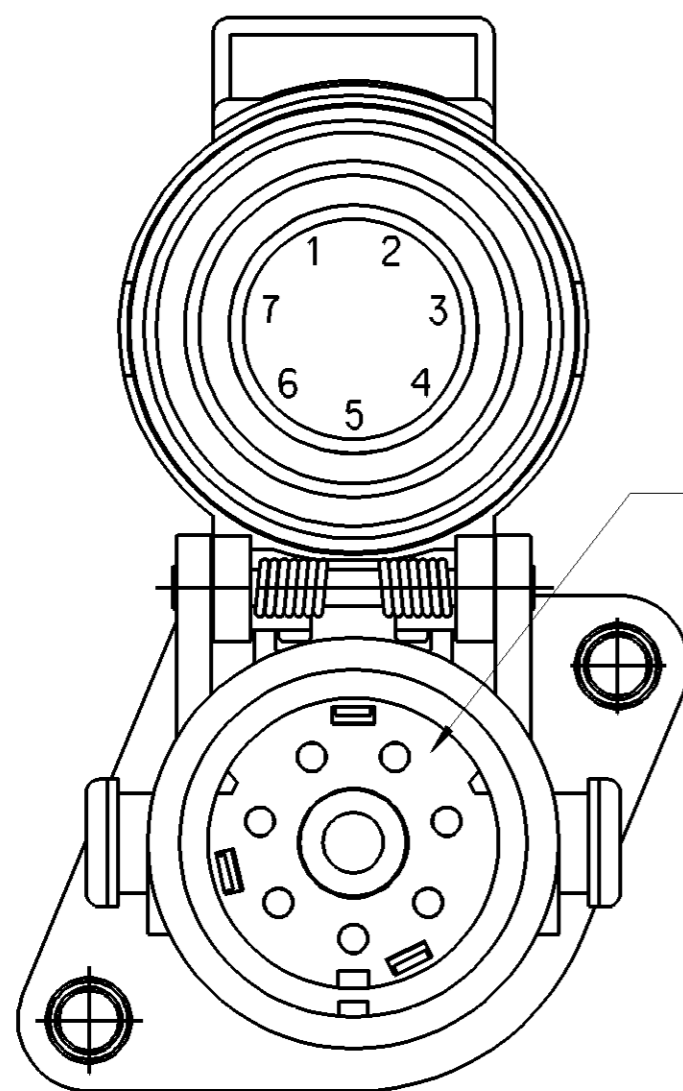


NUMMER NUMBER	FARBE COLOR	QUERSCHNITT(mm2) CROSS SECTION (mm2)
1	ROT \ RED	4
2	SCHWARZ \ BLACK	1.5
3	GELB \ YELLOW	
4	BRAUN \ BROWN	4
5	WEISS \ WHITE	1.5
6	WEISS - GRUEN WHITE - GREEN	1.5
7	WEISS - BRAUN WHITE - BROWN	

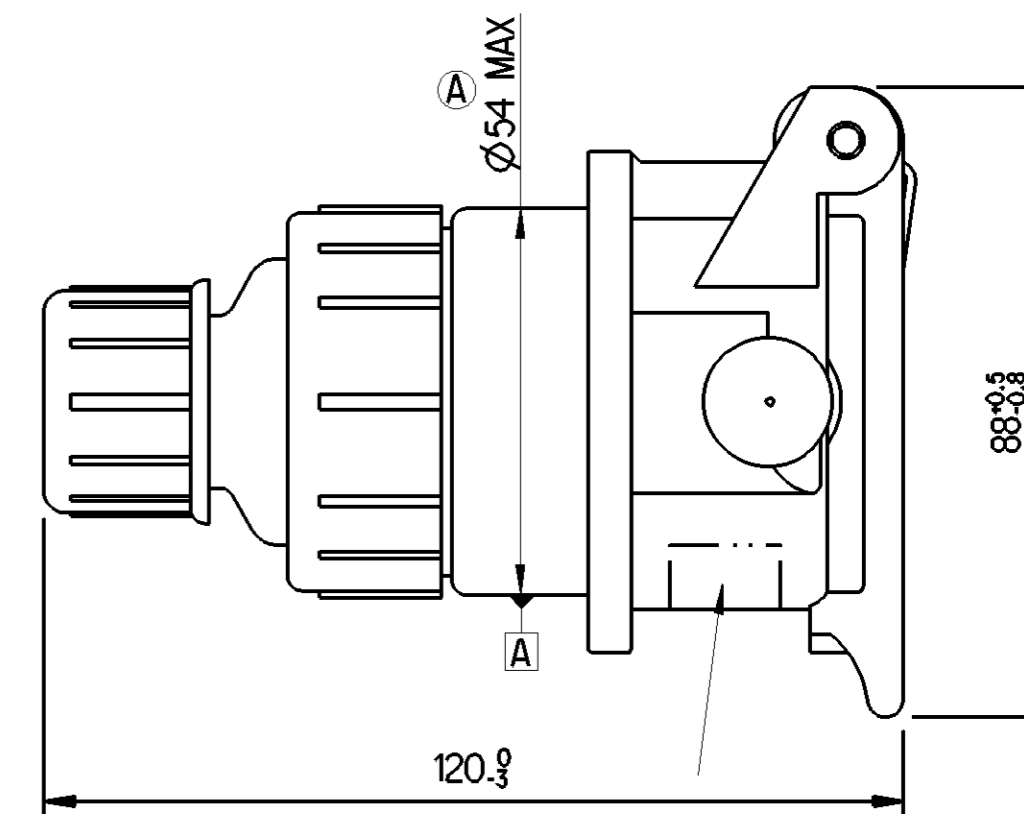
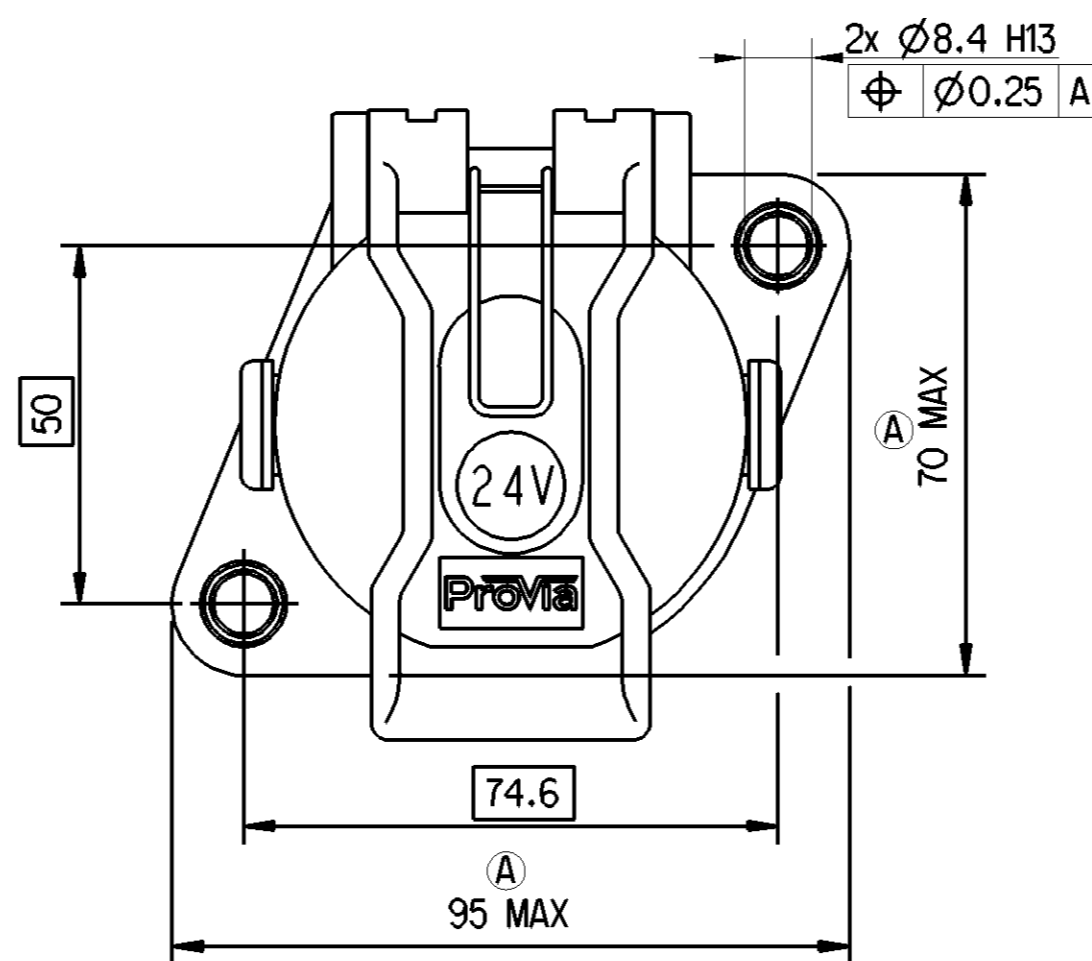
<1> SAFETY CHARACTERISTICS	0
<2> SIGNIFICANT CHARACTERISTICS	0



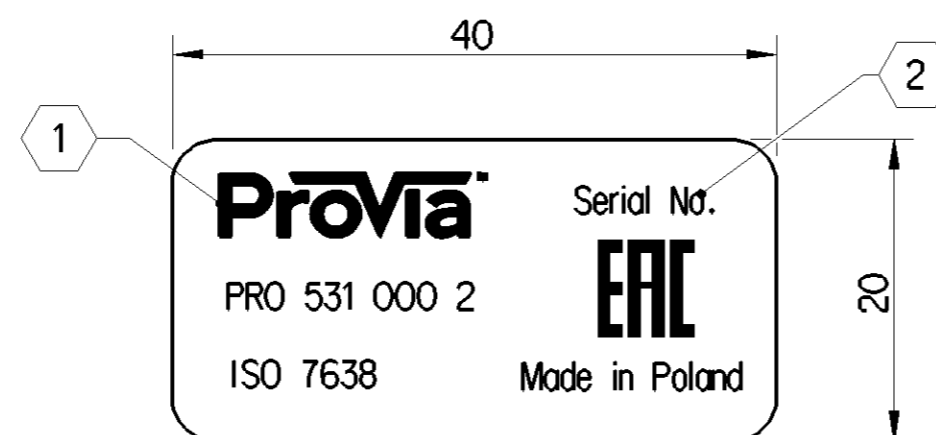
AUFKLEBER MIT ADERN NUMMER UND FARBEN
LABEL WITH CORE COLOR AND NUMBER



FARBE-SCHWARZ
COLOR-BLACK



DAS ETIKETT
LABEL



KENNZEICHNUNGSETIKETT / LABEL

BEMERKUNGEN:

1. ENTSPRICHT - ISO 7638
2. SPANNUNG - 24V
3. TEMPERATURBEREICH -40°C....+80°C
4. MATERIAL-GEHAUSE - PA6+30GF
5. SCHUTZART - IP67 ISO 60529

NOTES:

1. CORRSPONDS TO - ISO 7638
2. VOLTAGE - 24V
3. TEMPERATURE RANGE -40°C....+80°C
4. MATERIAL-BODY - PA6+30GF
5. DEGREE OF PROTECTION - IP67 ISO 60529

1 LOGO ACCORDING TO JED-868
LOGO NACH JED-868

2 MANUFACTURING WEEK / YEAR
HERSTELLUNG KW / R

GENERELLE SPEZIFIKATION : ISO 7638; ISO 4091; JED-367; JED-220; JED-762; JED-622
GENERAL SPECIFICATION : ISO 7638; ISO 4091; JED-367; JED-220; JED-762; JED-622

General Specification: JED-334-1, Size ISO 14405 LP		Copyright WABCO®		ProVia	
Further Technical Data:		Date	Signature	SOCKET ABS/EBS 7-PIN, 24V STECKDOSE ABS/EBS 7-PIN, 24V	
Doc. Code:	Sheet: To	2018-03-26	Shanmugam	2017-12-04	
General Tolerances JED-261		Checked	Aswinkumar	Doc.Code Language Sheet	
Range of Nominal Dimensions (± mm)		Expert		005 ML 1/1	
Class 1)	≤ 50 > 50 ≤ 180 > 180 ≤ 400 > 400	Suresh Gayakwad		Date of first issue: 2017-12-04	
Fine	0.5 1.0 1.5 2.0	Mass	Scale	Material No.	
Medium	1.0 2.0 3.0 4.0	0.26	NTS	PRO 531 000 2	
Coarse	2.0 3.5 5.0 6.5	kg	Size	CAD System	
Tapped Holes acc.		A 2	CREO	ECN-No. Revision Techn. Resp.	
1) Tolerance Class Applied Crossmarked		±3°		176756 3 A 6280_AM	
				Replacement for	

100mm