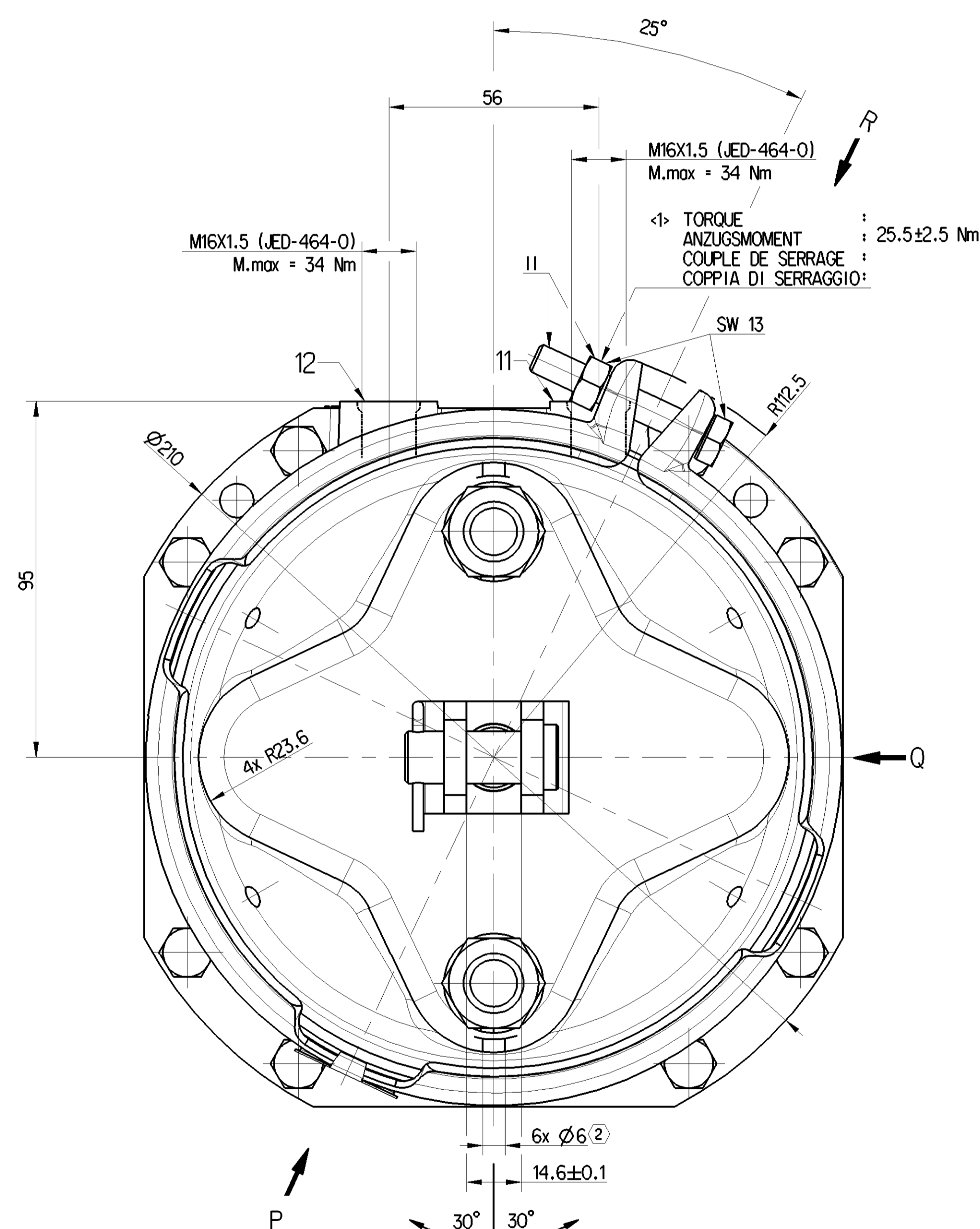
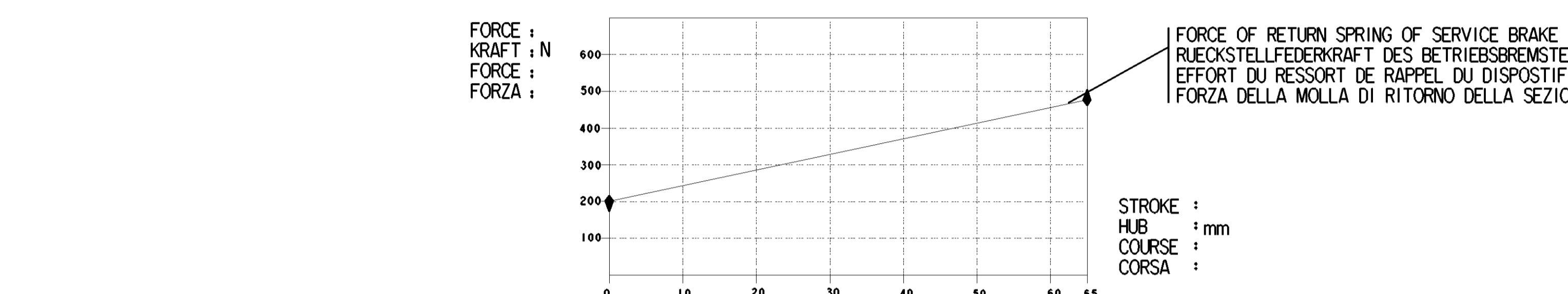
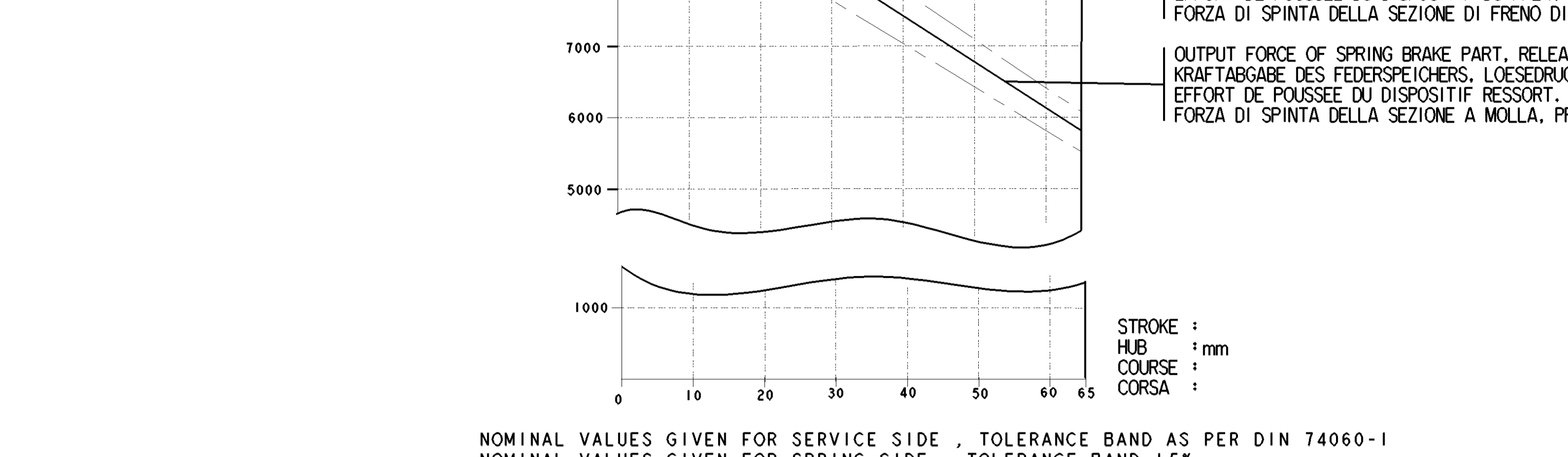
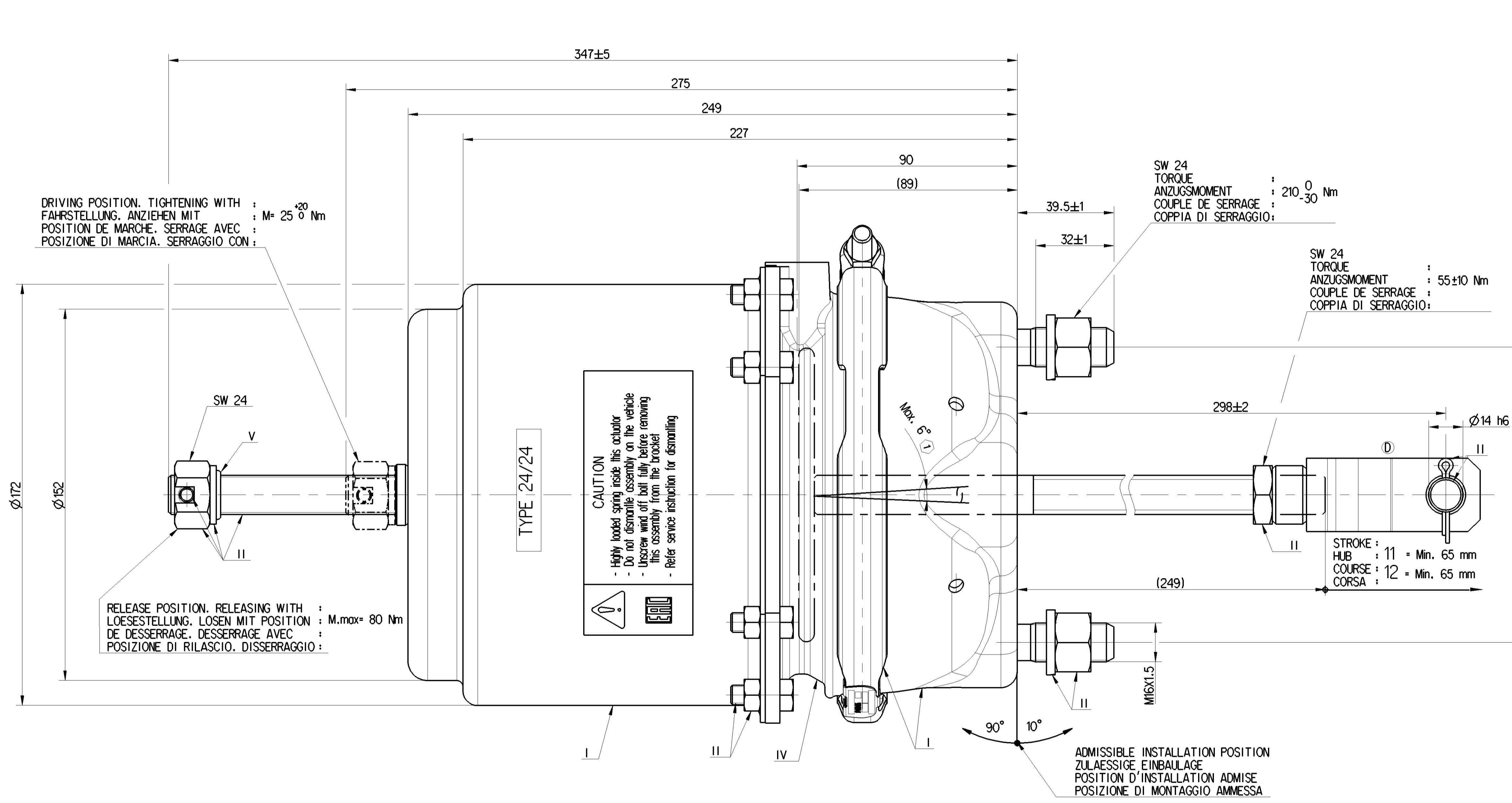


SURFACE PROTECT. / OBERFL. SCHUTZ	
I	POWDER COATING JED-240-7
II	Zn JED-256-5
III	PHOSPHATING & OILING JED-371
IV	AL. JED-259
V	RUBBER / PLASTIC
VI	MS

**TECHNICAL DATA
TECHNISCHE DATEN**

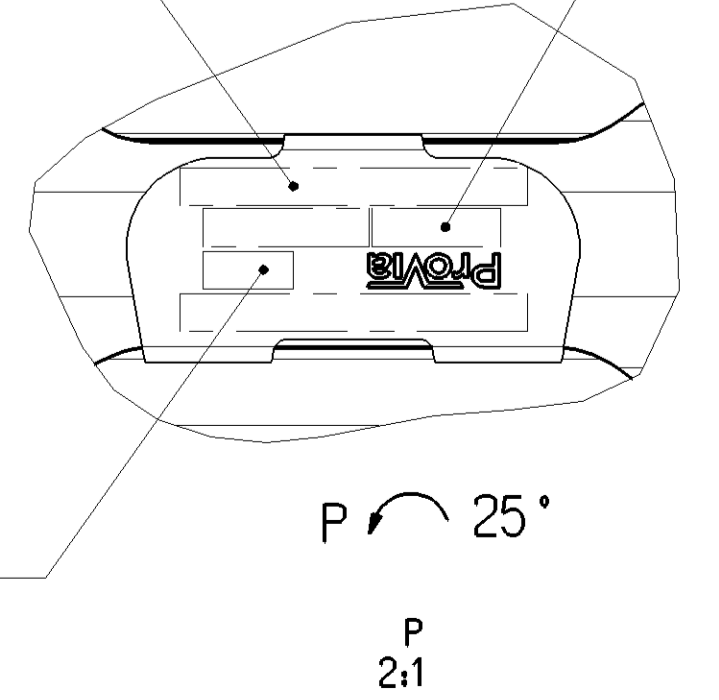


TO BE INSTALLED WITH LOWER BREATHER HOLE OPEN
IM EINBAUZUSTAND UNTERE ATMUNGSRING GEÖFFNET
A MONTER AVEC LE RENIFLARD INFÉRIEUR OUVERT
INSTALLAZIONE: CON IL FORO DI SFIATO INFERIORE APERTO



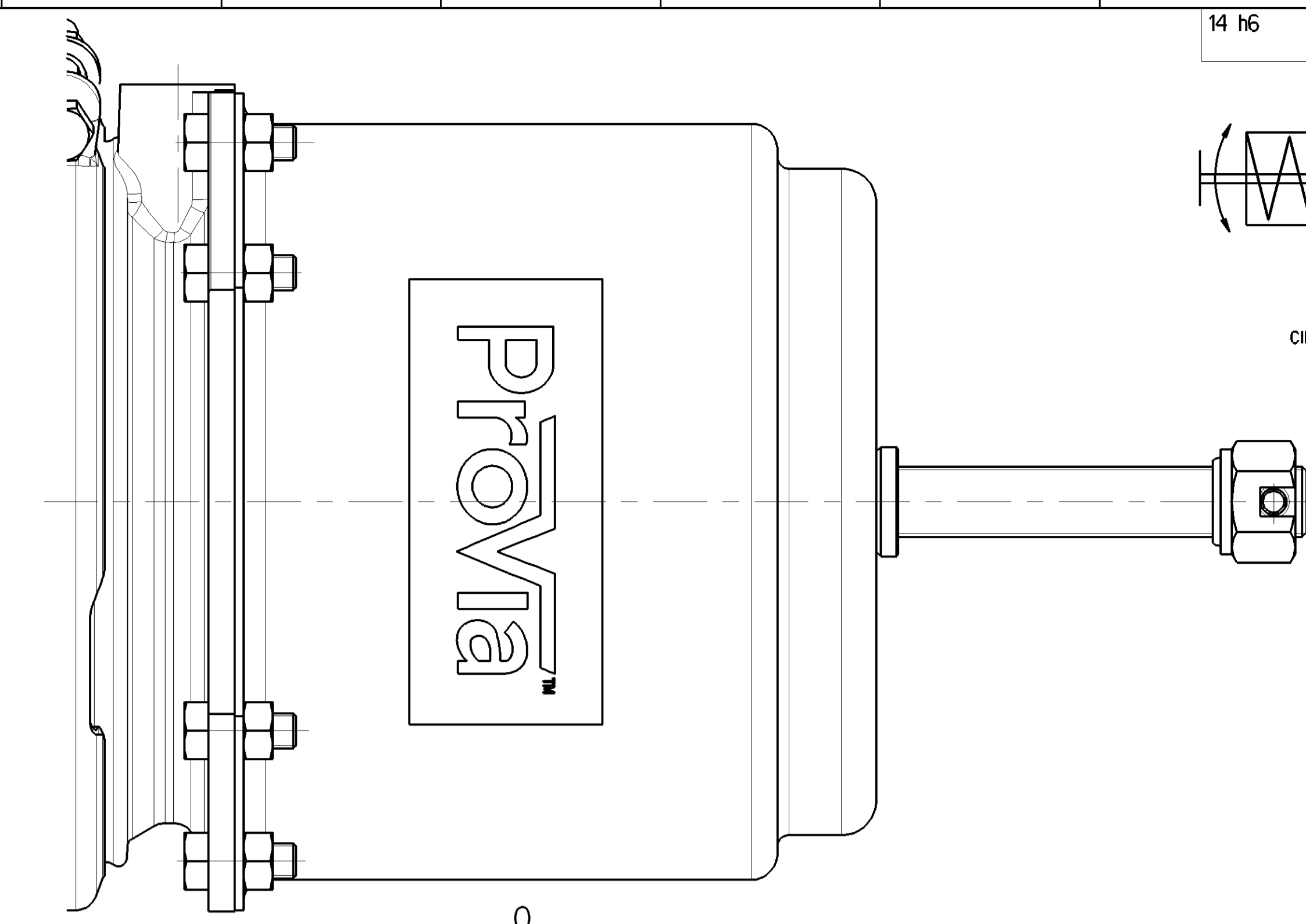
ProVia IDENTIFICATION NUMBER
ProVia TEILE NUMBER
NUMERO D' IDENTIFICATION ProVia
NUMERO D' IDENTIFICAZIONE

WEEK / YEAR OF MANUFACTURE
FERTIGUNGSWOCHE/JAHR
SEMAINE/ANNEE DE FABRICATION
SETTIMANA/ANNO DELLA FABBRICAZIONE



SAFETY CHARACTERISTICS
SICHERHEITSMERKMALE
CARACTERISTIQUES DE SÉCURITÉ
CARATTERISTICHE DI SICUREZZA

SIGNIFICANT CHARACTERISTICS
WESENTLICHE MERKMALE
CARACTERISTIQUES SIGNIFIANTES
CARATTERISTICHE SIGNIFICATIVE



MEDIUM : AIR MEDIUM : LUFT FLUIDE : AIR FLUIDO : ARIA		
NOMINAL DIAMETER : NENNWEITE : MIN $\phi 8.5$ DIAMETRE NOMINAL : DIAMETRO NOMINALE :		
WIDTH ACROSS FLATS SCHLUSSELWEITE SURFLATS LARGHEZZA IN CHIAVE		
THERMAL RANGE OF APPLICATION : THERMISCHER ANWENDUNGSBEREICH : -40°C...+80°C GAMME D'APPLICATION THERMIQUE : CAMPO TERMICO D'APPLICAZIONE :		
PORT : SERVICE BRAKING SYSTEM, WORKING PRESSURE : ANSCHLUS : 11 BETRIEBSBREMSANLAGE, BETRIEBSDRUCK : Pe max. = 10 bar ORIFICE : DISPOSITIF DE FREINAGE DE SERVICE, PRESSION D'UTILISATION : ORIFIZIO : DISPOSITIVO DI FRENATURA DI SERVIZIO, PRESSIONE DI ESERCIZIO : (TEMPORARILY / KURZZEITIG / DE COURTE DUREE / (BREVE TEMPO SOLO): Pe max. = 13 bar		
PORT : SPRING BRAKE CYLINDER, WORKING PRESSURE : ANSCHLUS : 12 FEDERSPEICHERZYLINDER, BETRIEBSDRUCK : Pe max. = 8.5 bar ORIFICE : CYLINDRE A RESSORT, PRESSION D'UTILISATION : ORIFIZIO : CILINDRO A MOLLA, PRESSIONE DI ESERCIZIO : (TEMPORARILY / KURZZEITIG / DE COURTE DUREE / (BREVE TEMPO SOLO): Pe max. = 11 bar		
DEFLECTION : AUSLENKUNG : max. 6° AT STROKE 0 mm DEFECTION : A COURSE DEVIAZIONE : A CORSA		
OPEN BREATHER HOLE OFFEN ATMUNGSRINGUNG OUVERT TROU RENIFLÉUR APERTO FORO RESPIRATORE		
DELIVERY ANLIEFERUNG LIVRAISON FORNITURA	<input checked="" type="checkbox"/> RELEASE POSITION LOESESTELLUNG POSITION DE DESSERRAGE POSIZIONE DI RILASCIO	<input type="checkbox"/> DRIVING POSITION FAHRSTELLUNG POSITION DE MARCHÉ POSIZIONE DI MARCIA
UNIT DRAWN WITH AIR APPLIED AT PORT 12 EINHEIT MIT LUFT APPLIÉ AT PORT GEZEICHNET 12 UNIDADE DESENHADA COM ARIA APLICADA NA PORTA 12 UNITA' DISEGNATA CON ARIA APPLICATO A PORTA 12		

General Specifications JED-554-1, Size ISO 11410-1 P		Drawing 14100-0 P		ProVia																															
Further Technical Data PRO 491 001 0	Order	Year	System	Doc. Code: 055	Doc. Code: Language																														
2019-03-07	Sharmam S	2019-03-07	Sharmam S	2019-04-16	Yardachelwin																														
<table border="1"> <thead> <tr> <th colspan="6">Range of Nominal Dimensions L ± mm</th> </tr> <tr> <th>Class</th> <th>1</th> <th>2</th> <th>3</th> <th>4</th> <th>5</th> </tr> </thead> <tbody> <tr> <td>Min</td> <td>0.5</td> <td>1.0</td> <td>1.5</td> <td>2.0</td> <td>3.0</td> </tr> <tr> <td>Max</td> <td>1.0</td> <td>2.0</td> <td>3.0</td> <td>4.0</td> <td>6.5</td> </tr> <tr> <td>Course</td> <td>2.0</td> <td>3.5</td> <td>5.0</td> <td>6.5</td> <td></td> </tr> </tbody> </table>						Range of Nominal Dimensions L ± mm						Class	1	2	3	4	5	Min	0.5	1.0	1.5	2.0	3.0	Max	1.0	2.0	3.0	4.0	6.5	Course	2.0	3.5	5.0	6.5	
Range of Nominal Dimensions L ± mm																																			
Class	1	2	3	4	5																														
Min	0.5	1.0	1.5	2.0	3.0																														
Max	1.0	2.0	3.0	4.0	6.5																														
Course	2.0	3.5	5.0	6.5																															
Tapped holes acc. JED-464-0			<table border="1"> <thead> <tr> <th>Size</th> <th>Code</th> <th>Material</th> <th>Finish</th> <th>Preparation for</th> </tr> </thead> <tbody> <tr> <td>A 0</td> <td>050</td> <td>500850</td> <td>1</td> <td>D 5380_AM</td> </tr> </tbody> </table>			Size	Code	Material	Finish	Preparation for	A 0	050	500850	1	D 5380_AM																				
Size	Code	Material	Finish	Preparation for																															
A 0	050	500850	1	D 5380_AM																															
PRO 491 001 0		SPRING BRAKE ACTUATOR CAM		24/24-65mm																															
10.471	1/1	1/2	2/1	005	ML 1/1																														
Date of 1st date: 2016-04-28																																			