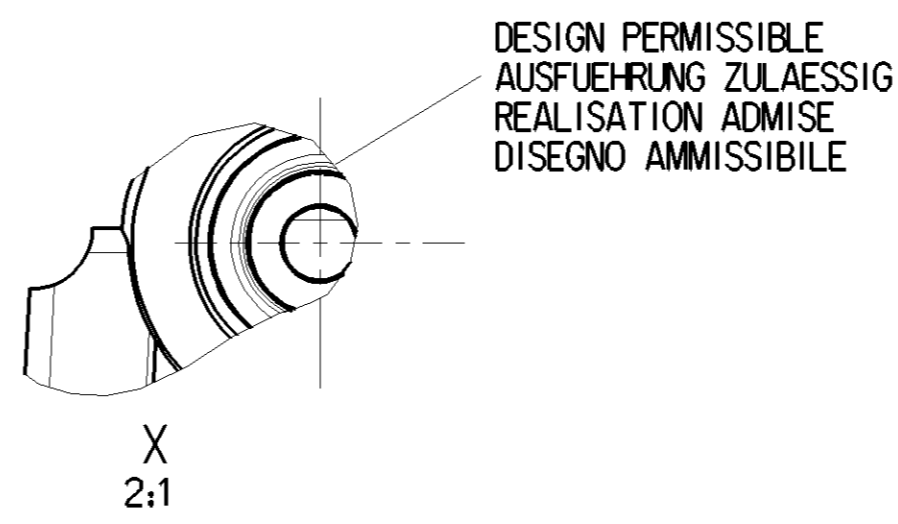
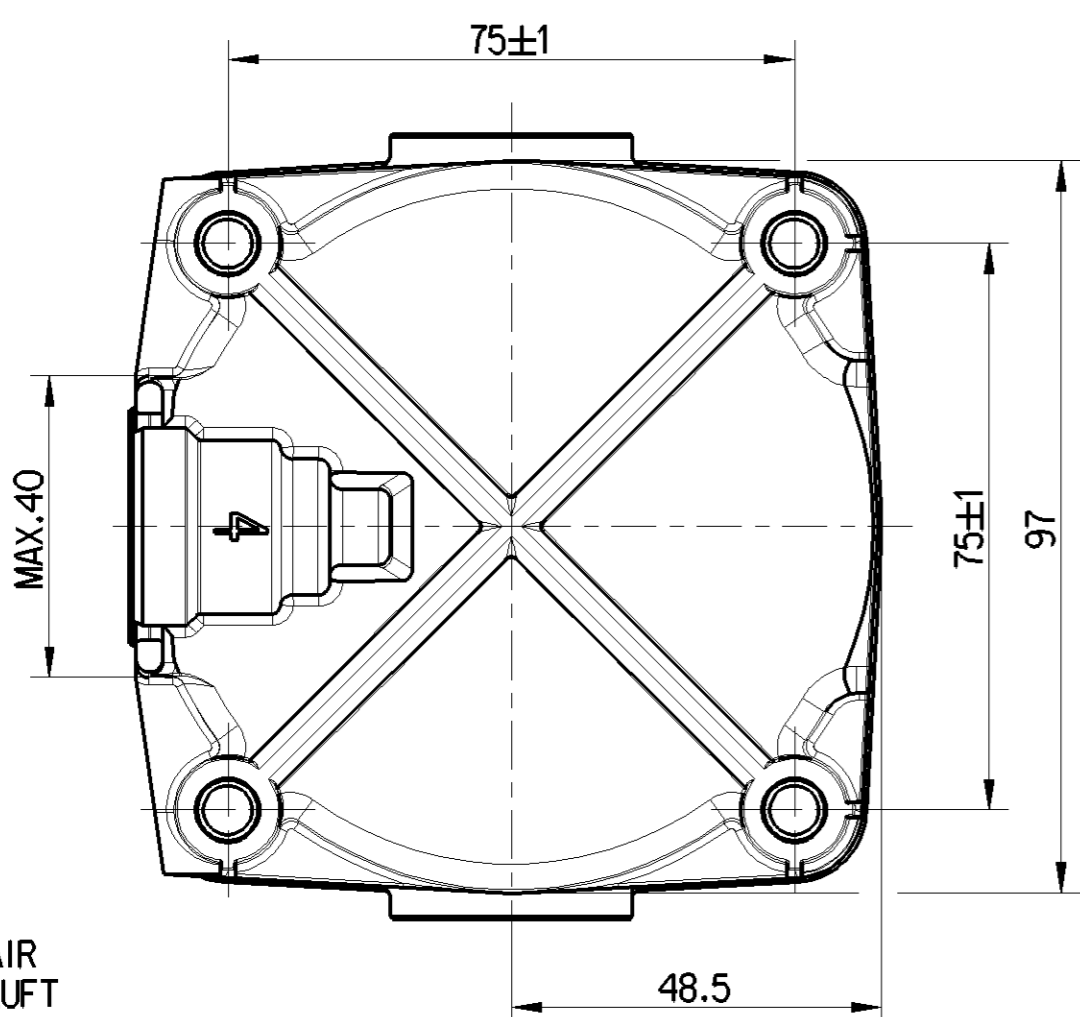
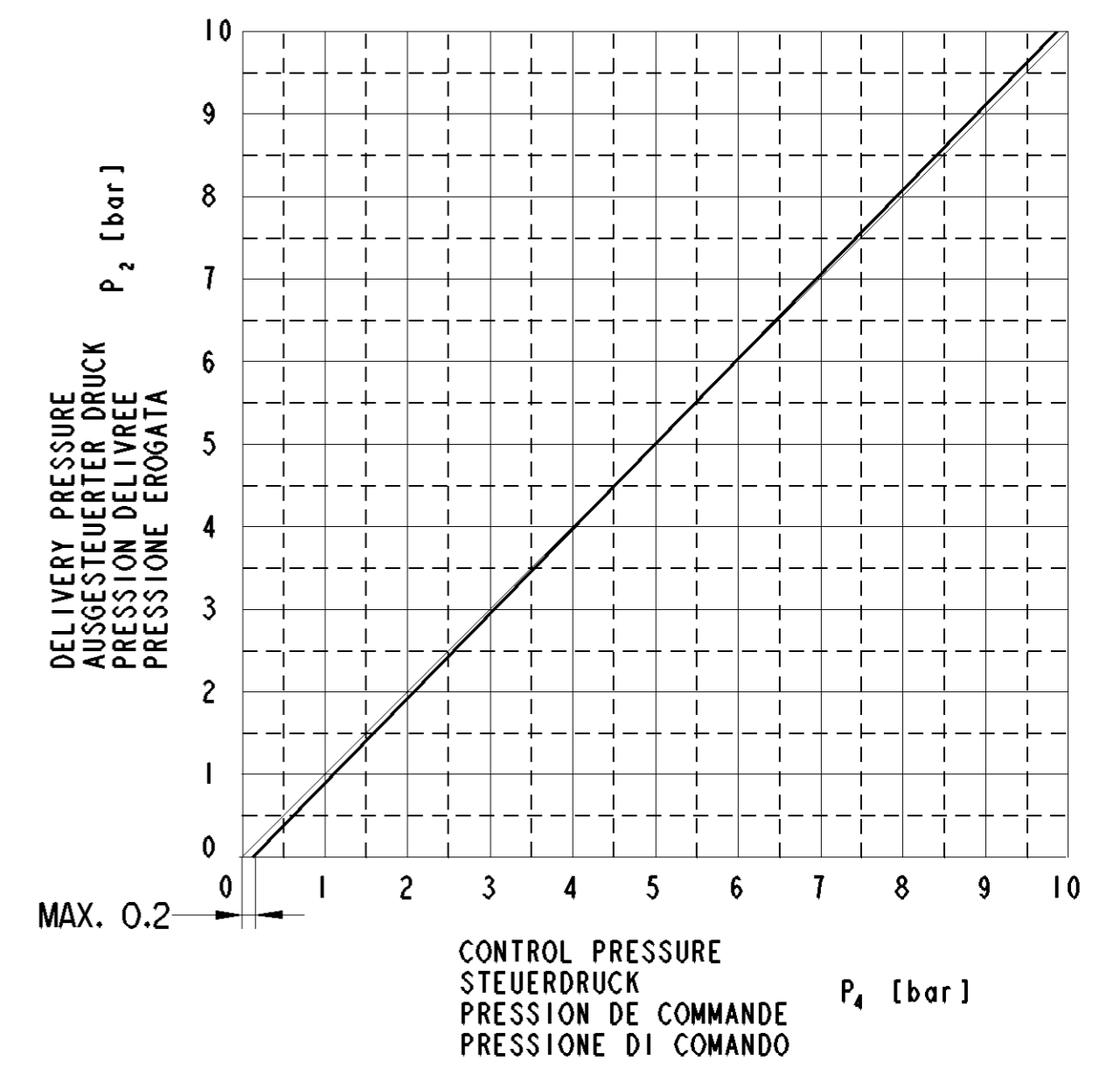
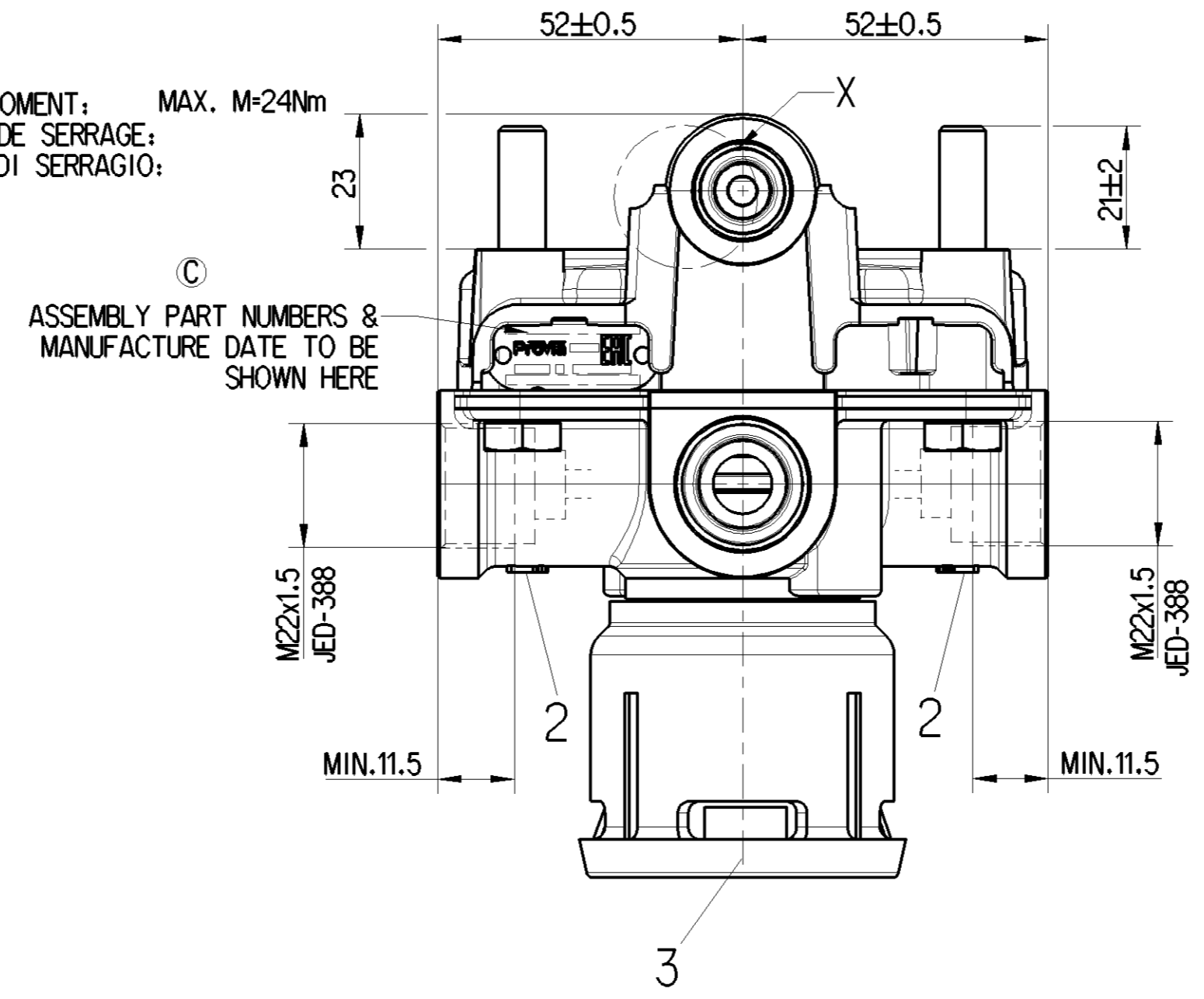
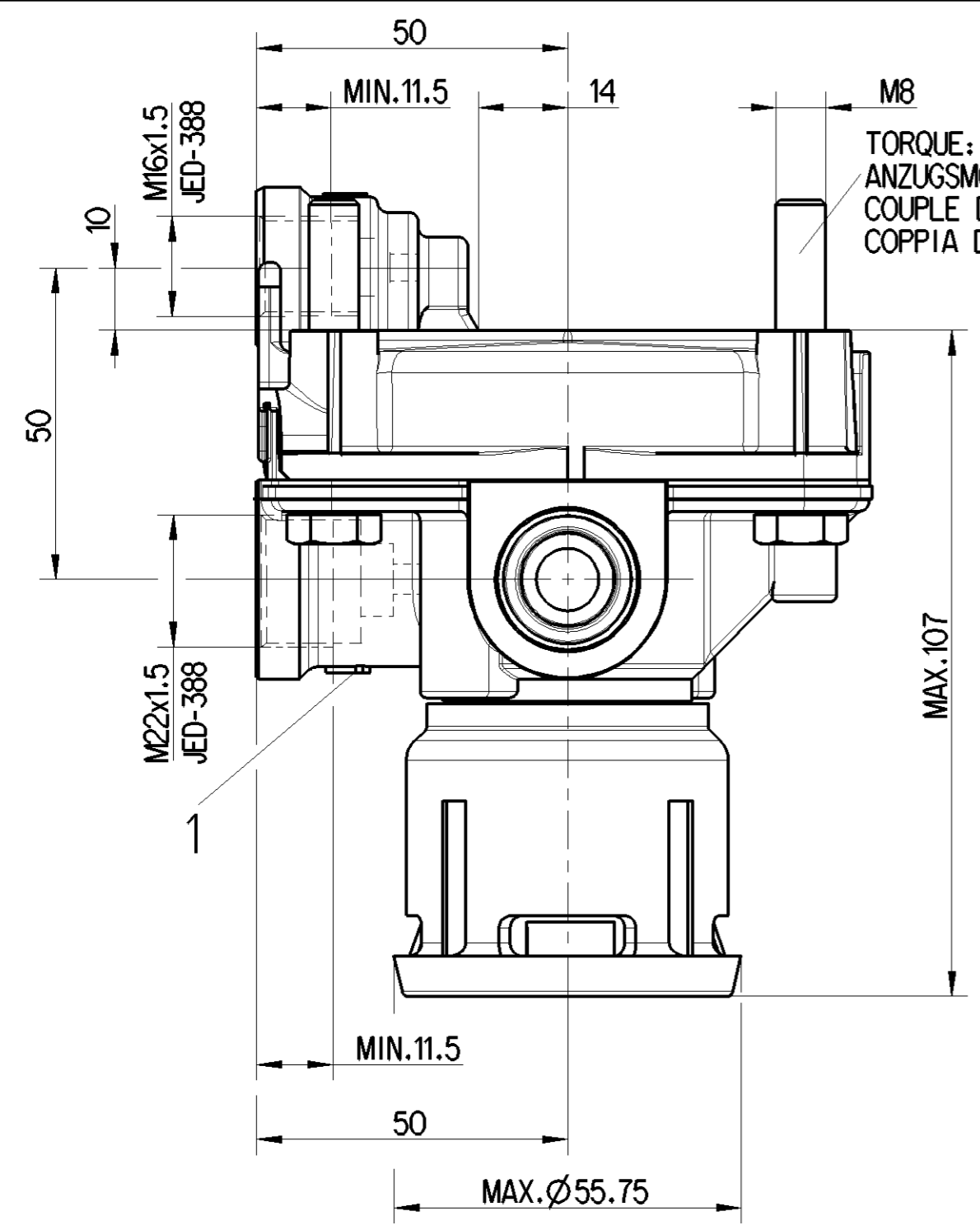


A
B



TORQUE FOR CONNECTIONS:
ANZUGSMOMENT FUER EINSCHRAUBSTUTZEN:
COUPLE DE SERRAGE DES RACCORDS:
COPPIA DI SERRAGGIO DEI RACCORDI:

M16x1.5 : M max. = 34 Nm
M22x1.5 : M max. = 53 Nm

TEMPORARILY:
KURZZEITIG:
DE COURTE DUREE:
BREVE TEMPO SOLO:

MAX. p_e = 13 bar

SUPPLY PRESSURE:
VORRATSDRUCK:
PRESSION D' ALIMENTATION:
PRESSIONE DI ALIMENTAZIONE:

MAX. p_e = 13 bar

PERMISSIBLE INSTALLATION:
ZULAESSIGE EINBAULAGE:
POSITION D' INSTALLATION ADMISE:
POSIZIONE DI MONTAGGIO AMMESSA:

± 90°

MEDIUM : AIR
MEDIUM : LUFT
FLUIDE : AIR
FLUIDO : ARIA

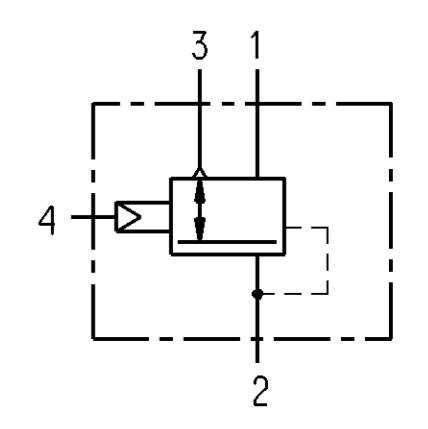
WORKING PRESSURE:
BETRIEBSDRUCK:
PRESSION DE SERVICE:
PRESSIONE D' ESERCIZIO:

MAX. p_e = 10 bar

THERMAL RANGE OF APPLICATION:
THERMISCHER ANWENDBEREICH:
GAMME D' APPLICATION THERMIQUE:
CAMPO DI APPLICAZIONE TERMICA:

-40° . . . +80° C

- 1 SUPPLY VORRAT ALIMENTATION ALIMENTAZIONE
- 2 DELIVERY PRESSURE AUSGESTEUERTER DRUCK PRESSION DELIVREE PRESSIONE EROGATA
- 3 EXHAUST ENTLUEFTUNG ECHAPPEMENT SCARICO
- 4 CONTROL PRESSURE STEUERDRUCK PRESSION DE COMMANDE PRESSIONE DI COMANDO



General Specification: JED-334-1, Size ISO 14405 LP		Copyright WABCO®		ProVia	
Further Technical Data: PRO 011 004 0		Date _____ Signature _____		RELAY VALVE RELAISVENTIL VALVE RELAIS VALVOLA RELE	
Doc. Code: 035	Sheet: 1 To 10	2018-09-20 VALLARASU M.P.		Date of first issue: 2015-06-05	
General Tolerances JED-261		Checked 2018-09-21 Aswinkumar		Doc.Code Language Sheet	
Range of Nominal Dimensions (± mm)		Expert K P.NAGARAJAN		005 ML 1/1	
Class 1)	< 50	> 50 < 180	> 180 < 400	> 400	±3°
Fine	0.5	1.0	1.5	2.0	±3°
Medium	1.0	2.0	3.0	4.0	
Coarse	2.0	3.5	5.0	6.5	
Tapped Holes acc. JED-388		Mass 0.64 kg	Scale 1:1	PRO 011 007 0	
1) Tolerance Class Applied Crossmarked		Size A 2	CAD System CREO	ECN-No. 177205	Revision 1
		Material No. _____		Techn. Resp. C	Replacement for 5220_AM

Non e permesso copiare, o terzi o riprodurre questo documento, ne utilizzare il contenuto o renderlo comunque noto a terzi senza autorizzazione esplicita. Ogni infrazione costituisce un evidente abuso e comportera il risarcimento dei danni subiti. E' fatta riserva di tutti i diritti derivanti da brevetti o modelli.
 Coping of this document and giving it to others and the use or communication of the contents thereof, are forbidden without express authority. Contention of this restriction will constitute an evident abuse and result in a liability to the payment of damages. All rights are reserved in the event of the grant of patent or registration of a utility model or design. This document is the subject of copyright.
 Toute communication ou reproduction de ce document, toute exploitation ou communication de son contenu sont interdites, sauf autorisation expresse. Tout manquement a cette regle constitue un abus evident et expose son auteur au versement de dommages et interets. Tous droits de proprieete industrielle reserves, notamment en matiere de brevets et de modesles.
 Weitergabe sowie Vervielfaltigung dieser Unterlagen, Verleihen und Mitteilen ihres Inhalts nicht gestattet, soweit nicht ausdreslich ansonstern, weitergegeben, stellen eine offensichtliche Missbrauch dar und verpflichten zu Schadenersatz. Alle Rechte hier den Fall der Patentierung oder Gebrauchsmuster-Eintragung vorbehalten.

A
B
C
D
E
F
 Version: B.3 / state: Under Review / mfi: PRO011007_001