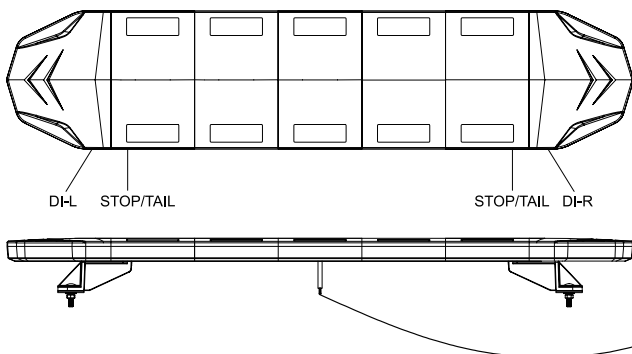




Certificate: ECE R65, ECE R10, EMC, CE, SAE, RoHS Approved

WIRING



- Red: 10-30v BAT/IGN +VE
- Black: Earth
- Brown: Amber warning On/Off +VE
- Orange: Flash pattern selection +VE
- Blue: Tail light +VE
- Green: Stop light +VE
- Yellow: Direction indicator LH +VE
- White: Direction indicator LH +VE

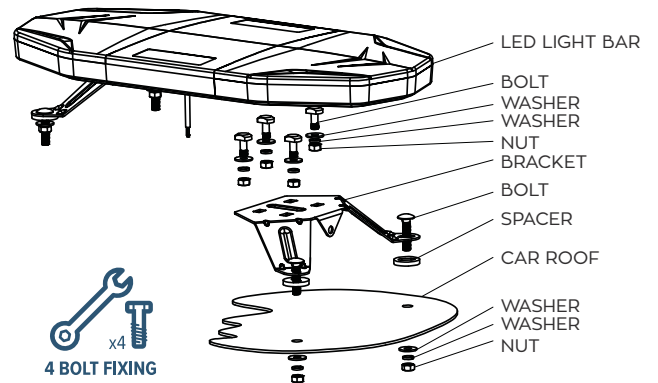
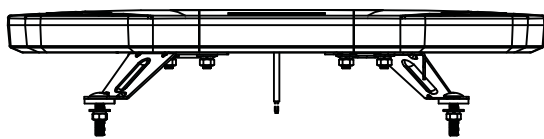


- * Flash pattern Orange to +VE
- Less than 1 second for next pattern
- More than 5 seconds for first pattern

* On certain vehicles a bypass relay may be required to correctly operate Stop/Tail and Direction Indicator functions. This is due to CAN bus wiring systems operating on the vehicle.

LIGHT BAR MOUNTING - AMB722ST

BRACKET MOUNT



FLASH PATTERNS

#	PATTERNS	FPM
1	Single (All ECE R65)	150
2	Alternate Single Flash	150
3	Single (Slow)	70
4	Alternate Single (Slow)	60
5	Alternate Flash (Quick)	430
6	Double (All)	150
7	Alternate Double (Quick)	300

#	PATTERNS	FPM
8	Alternate Double (Slow)	215
9	Quad (All)	85
10	Alternate Quad (Quick)	180
11	Alternate Quad	140
12	Strobe	1000
13	Running 1	200
14	Running 2	200

#	PATTERNS	FPM
15	Running 3	200
16	Combination 1	-
17	Combination 2	-
18	Combination 3	-
19	Tail/Stop	-
20	Indicator	-