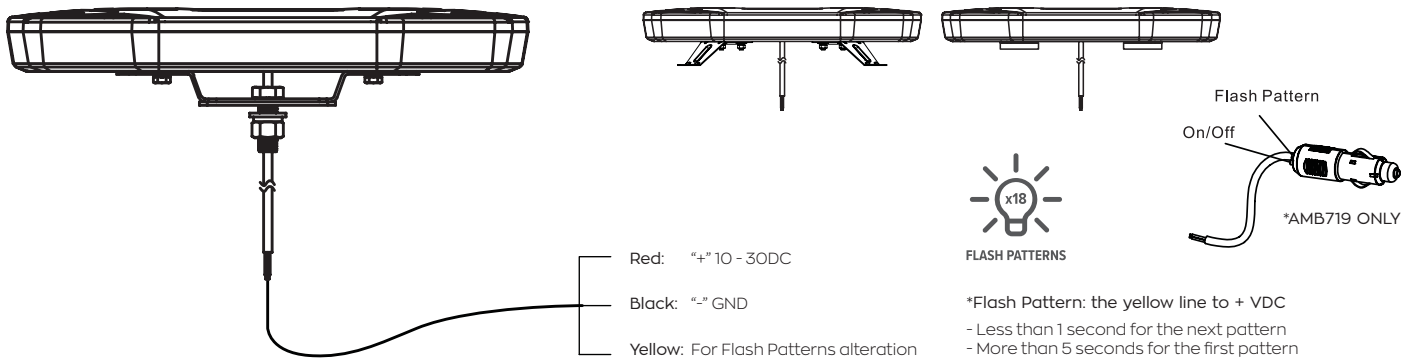




Certificate: ECE R65, ECE R10, EMC, CE, SAE & RoHS

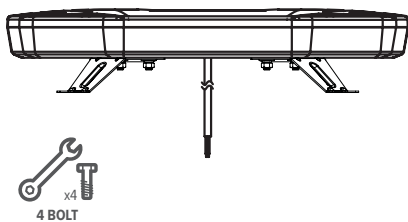


## WIRING

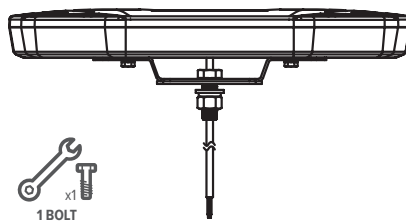


## MINI BAR MOUNTING

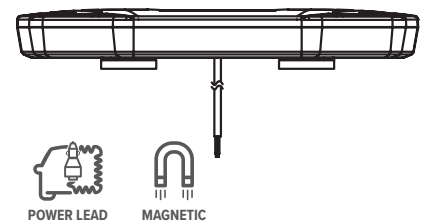
### 4 BOLT FIXING AMB717



### 1 BOLT FIXING AMB718



### MAGNETIC FIXING AMB719



## FLASH PATTERNS

#	PATTERNS	FPM
1	Single (All ECE R65)	150
2	Double (All)	150
3	Quad (All)	150
4	Strobe (All)	1500
5	Single (All)	75
6	Combination 1	

#	PATTERNS	FPM
7	Combination 2	
8	Combination 3	
9	Rotate 1 (Quick)	150
10	Rotate 2 (Slow)	75
11	Alternate Single	300
12	Alternate Double	300

#	PATTERNS	FPM
13	Alternate Quad	300
14	Alternate Strobe	35
15	Combination 4	
16	Combination 5	
17	Combination 6	
18	Combination 7	