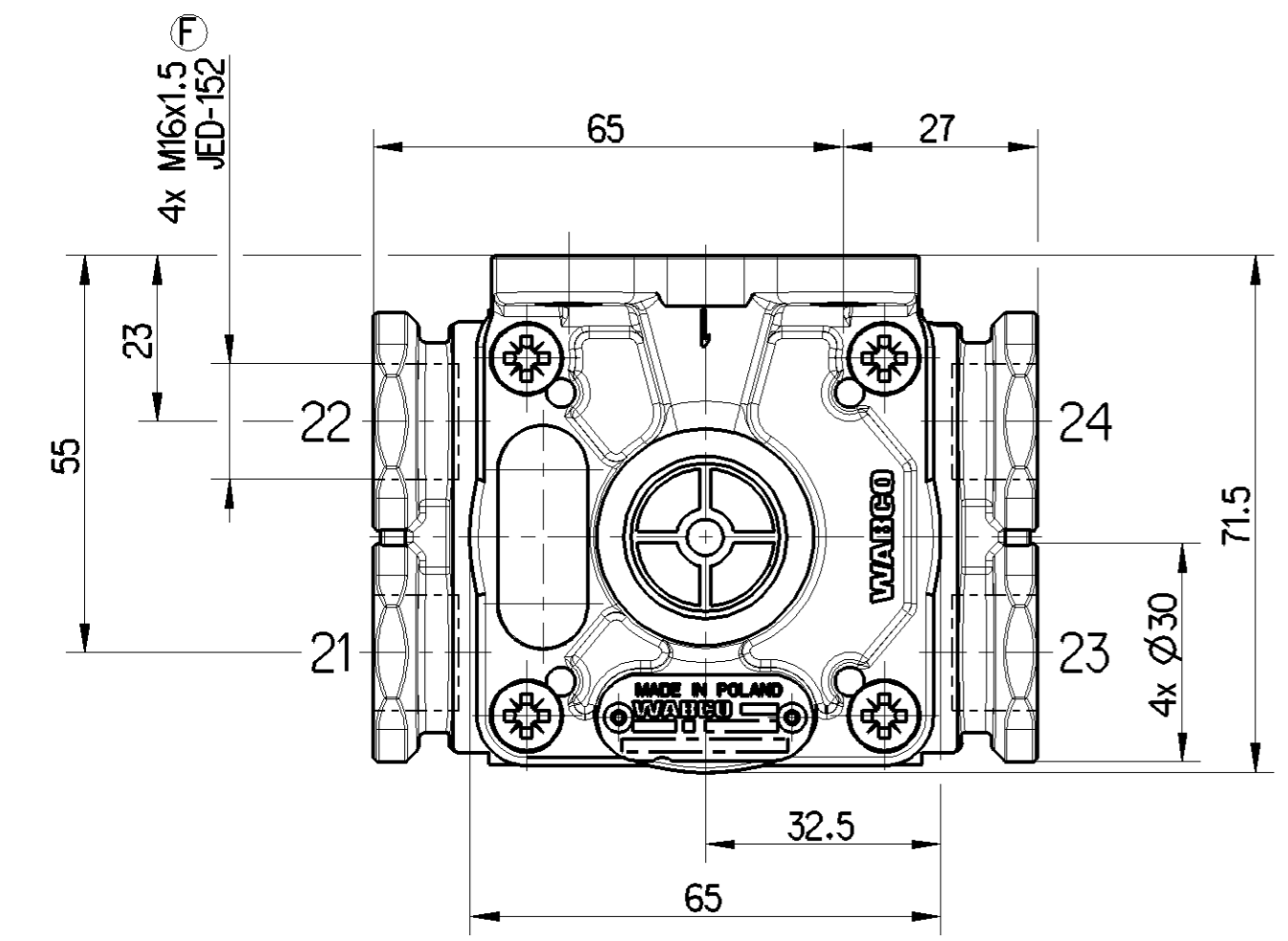
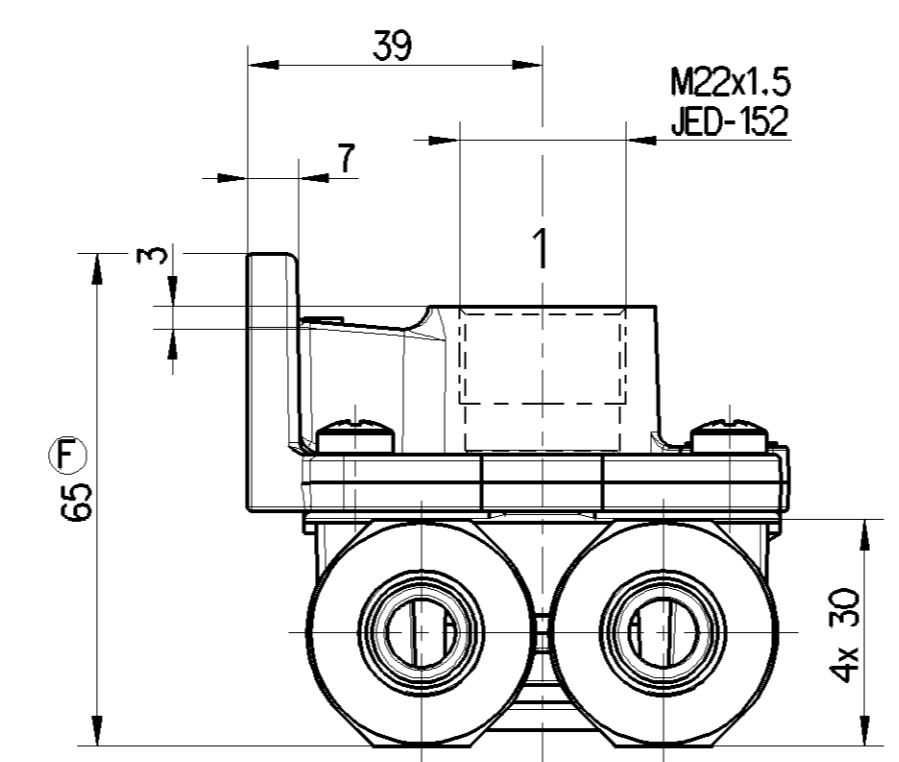
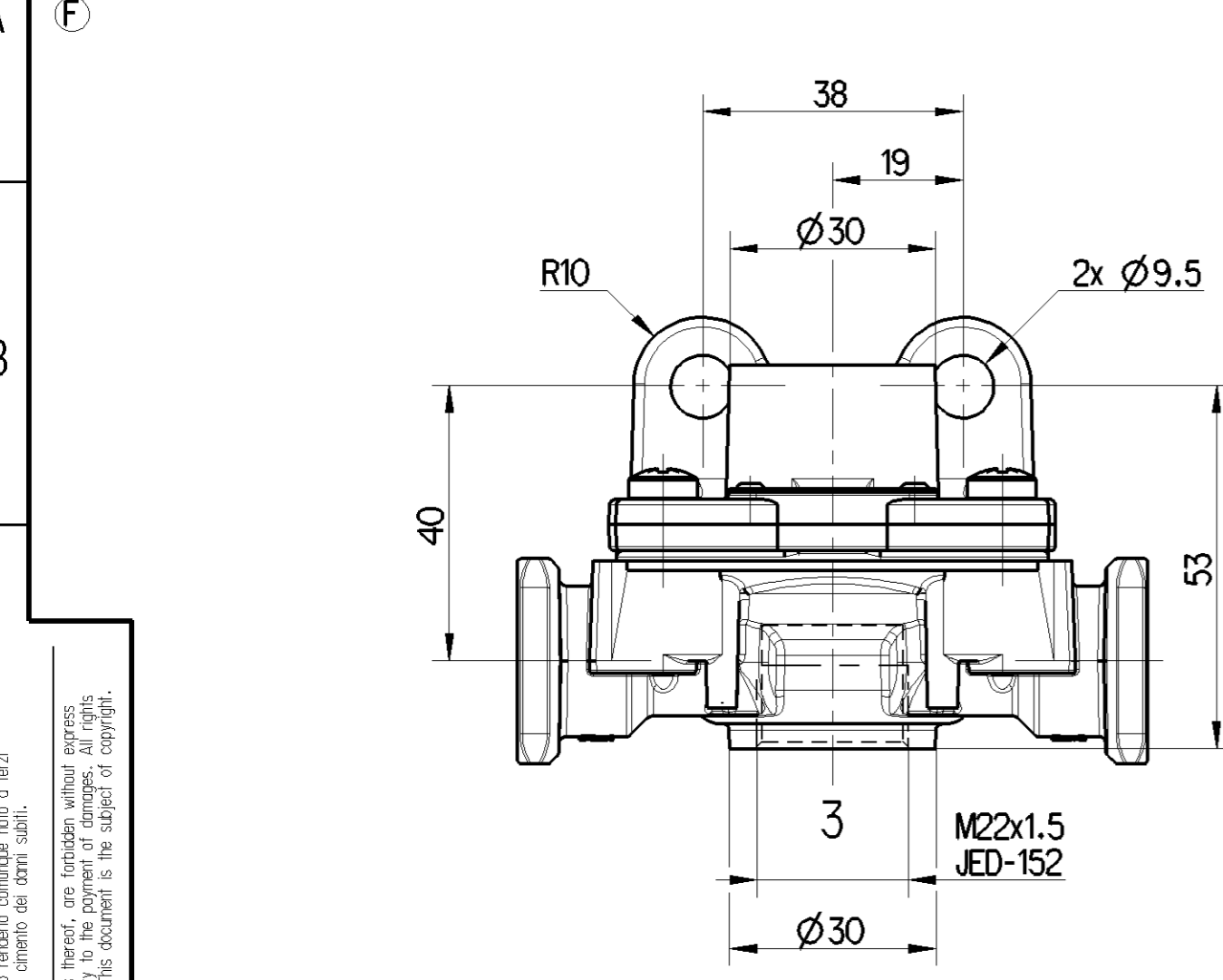


Non e permesso copiare, o terzi o riprodurre questo documento, ne utilizzare il contenuto o renderlo comunque noto o terzi senza autorizzazione esplicita. Ogni infrazione costituisce un evidente abuso e comportera il risarcimento dei danni subiti. E' fatta riserva di tutti i diritti derivanti da brevetti o modelli.
 Copying of this document and giving it to others and the use or communication of the contents thereof, are forbidden without express authority. Contravention of this restriction will constitute an evident abuse and result in a liability to the payment of damages. All rights are reserved in the event of the grant of patent or registration of a utility model or design. This document is the subject of copyright.
 Toute communication ou reproduction de ce document, toute exploitation ou communication de son contenu sont interdites, sauf autorisation expresse. Tout manquement a cette regle constitue un abus evident et expose son auteur au versement de dommages et interets. Tous droits de propriete industrielle reserves, notamment en matiere de brevets et de modesles.
 Weitergabe sowie Vervielfaltigung dieser Unterlagen, Verwertung und Mitteilung ihres Inhalts nicht gestattet, soweit nicht ausdrücklich ansonsten, zuwiderlegenden, schriftlichen Anweisungen. Missbrauch der und verpflichten zu Schadensersatz. Alle Rechte fuer den Fall der Patenterteilung oder Gebrauchsmuster-Eintragung vorbehalten.

SAFETY CHARACTERISTICS	0
SIGNIFICANT CHARACTERISTICS	0
CUSTOMER INTERFACE	0



SYMBOL SYMBOL SIMBOLE SIMBOLO		
SUPPLY PRESSURE VORRATSDRUCK PRESSION PNEUMATIQUE D'ALIMENTATION PRESSIONE PNEUMATICA DI ALIMENTAZIONE	12 BAR MAX.	
CONTROL FLUID STEUERMEDIUM FLUIDE DE COMMANDE FLUIDO DI COMANDO	AIR LUFT AIR ARIA	
THERMAL RANGE THERM. ANWENDUNGSBEREICH TEMPERATURE D'UTILISATION TEMPERATURA DI UTILIZZAZIONE	-40°C...+80°C	
MARKING OF PORTS ANSCHLUSSKENNZEICHNUNG MARQUAGE DES ORIFICES MARCATURA DEGLI ORIFIZI	TORQUE FOR CONNECTIONS ANZUGSMOMENT FEUR SCHRAUBSTUTZEN COUPLE DE SERRAGE DES RACCORDS COPPIA DI SERRAGGIO DEI RACCORDI	
1	SUPPLY VORRAT ALIMENTATION ALIMENTAZIONE	53 Nm MAX
21 22 23 24	DELIVERY AUSGESTEUERTE LUFT UTILISATION UTILIZZAZIONE	34 Nm MAX
3	AIR EXHAUST ENTLUEFTUNG ECHAPPEMENT SCARICO	53 Nm MAX

General Specification: JED-334-1, Size ISO 14405 LP		Copyright WABCO®		WABCO	
Further Technical Data: 973 500 025 0		Date	Signature	QUICK RELEASE VALVE	
Doc. Code: 635	Sheet: 1 To 3	2020-11-20	Balago	SCHNELL LOESEVENTIL	
General Tolerances JED-261		Checked	Szysko	VALVE DE DESSERRAGE RAPIDE	
Range of Nominal Dimensions (± mm)		Expert	Szysko	VALVOLA DI SFRENNATURA RAPIDO	
Class 1)	≤ 50 > 50 > 180 > 400	Mass	Scale	Material No.	Date of first issue: 1992-10-27
Fine	±0.05 ±0.10 ±0.15 ±0.20	0.305 kg	1:1	973 500 038 0	Doc.Code Language Sheet
Medium	±0.10 ±0.20 ±0.30 ±0.40	±3°			005 ML 1/1
Coarse	±0.20 ±0.35 ±0.50 ±0.65				
Tapped Holes acc. JED-152		Size	CAD System	ECN-No.	Revision Techn. Resp.
1) Tolerance Class Applied Crossmarked		A 2	CREO	506226	4 x F 5311