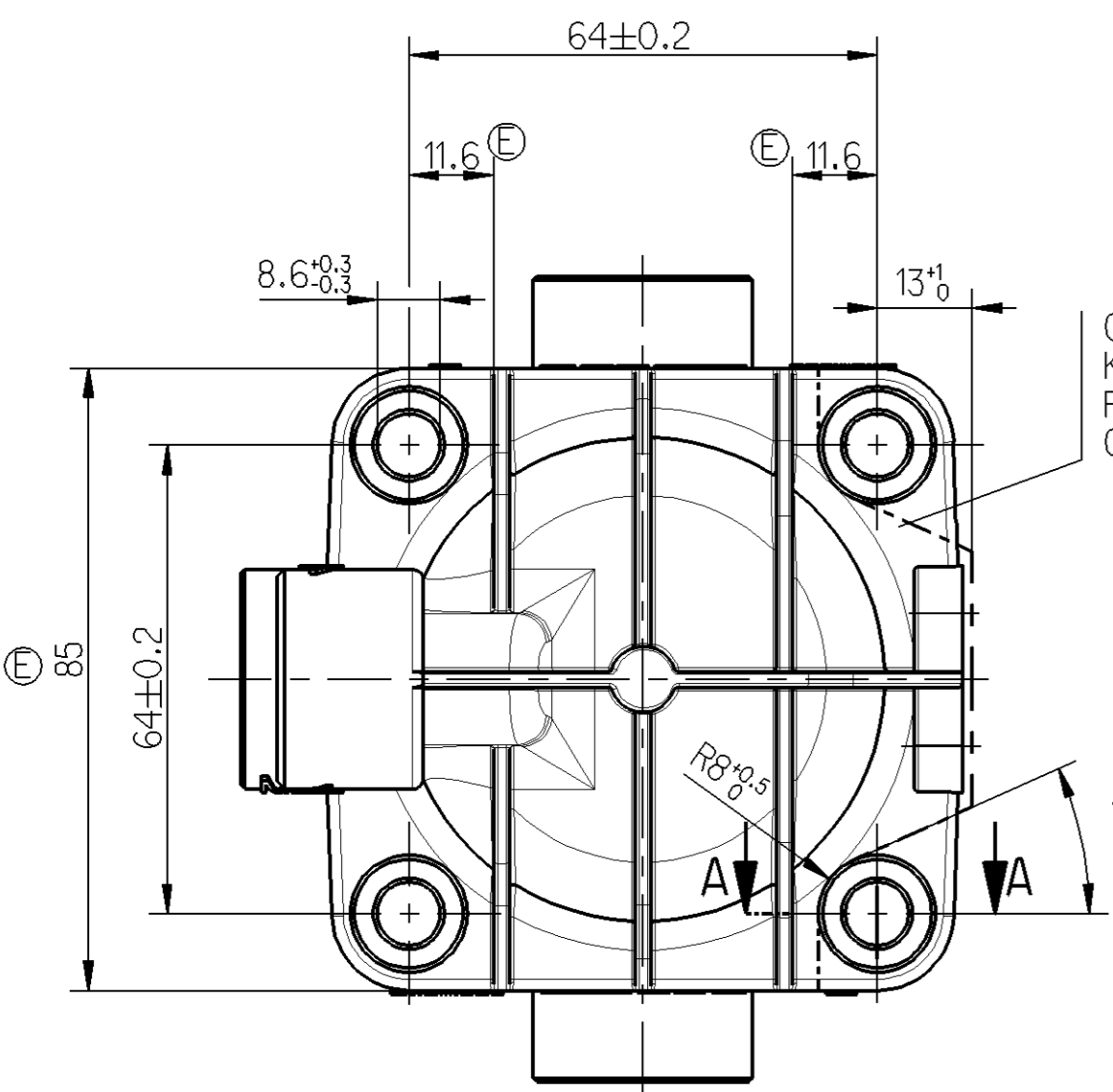
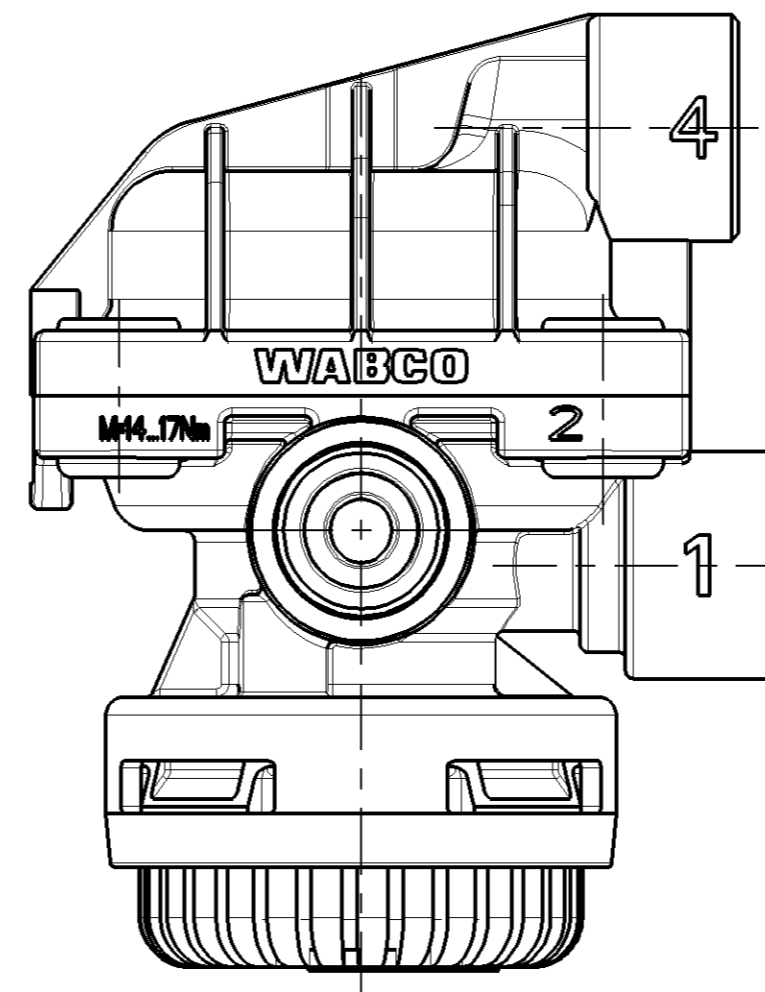
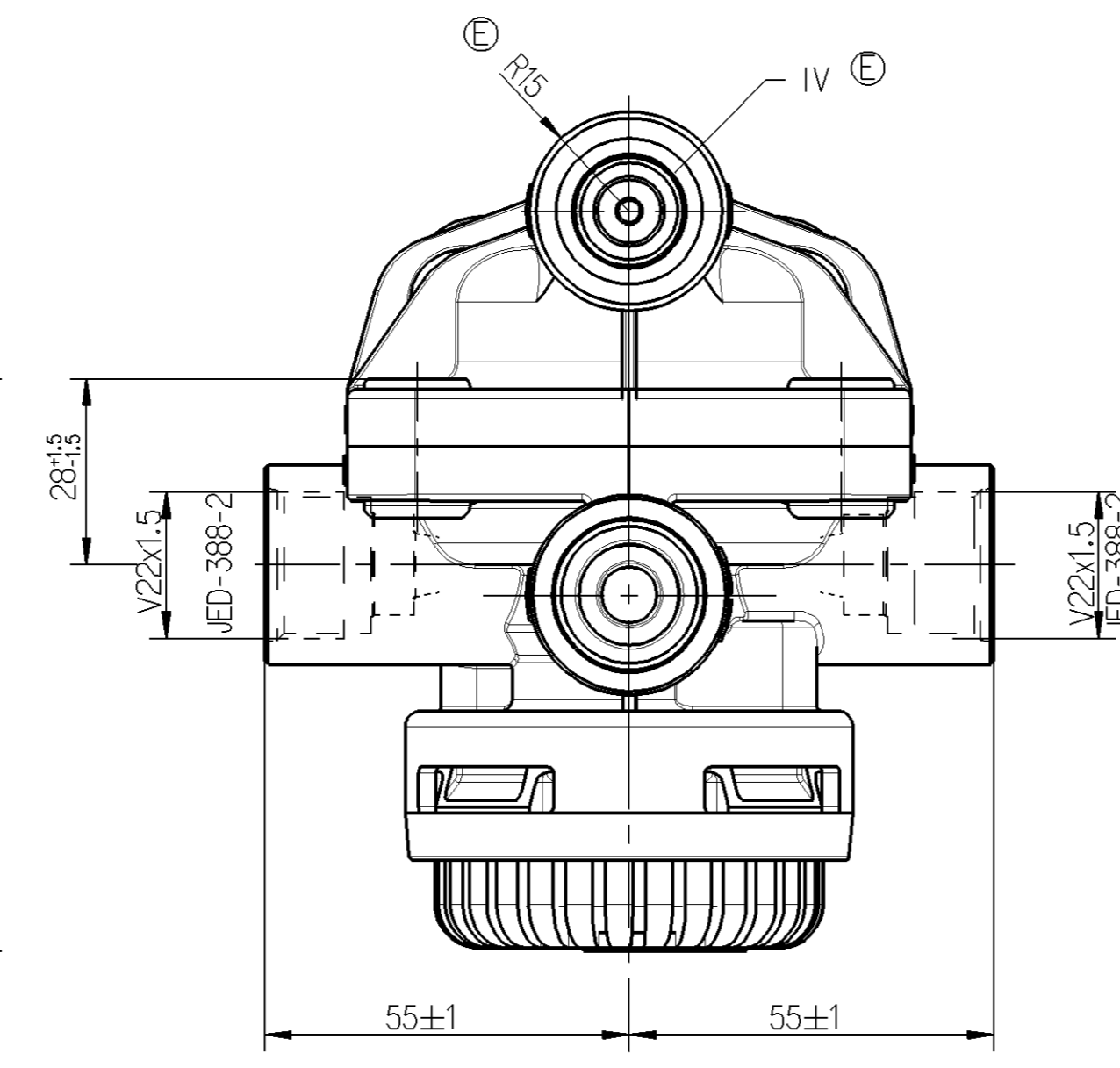
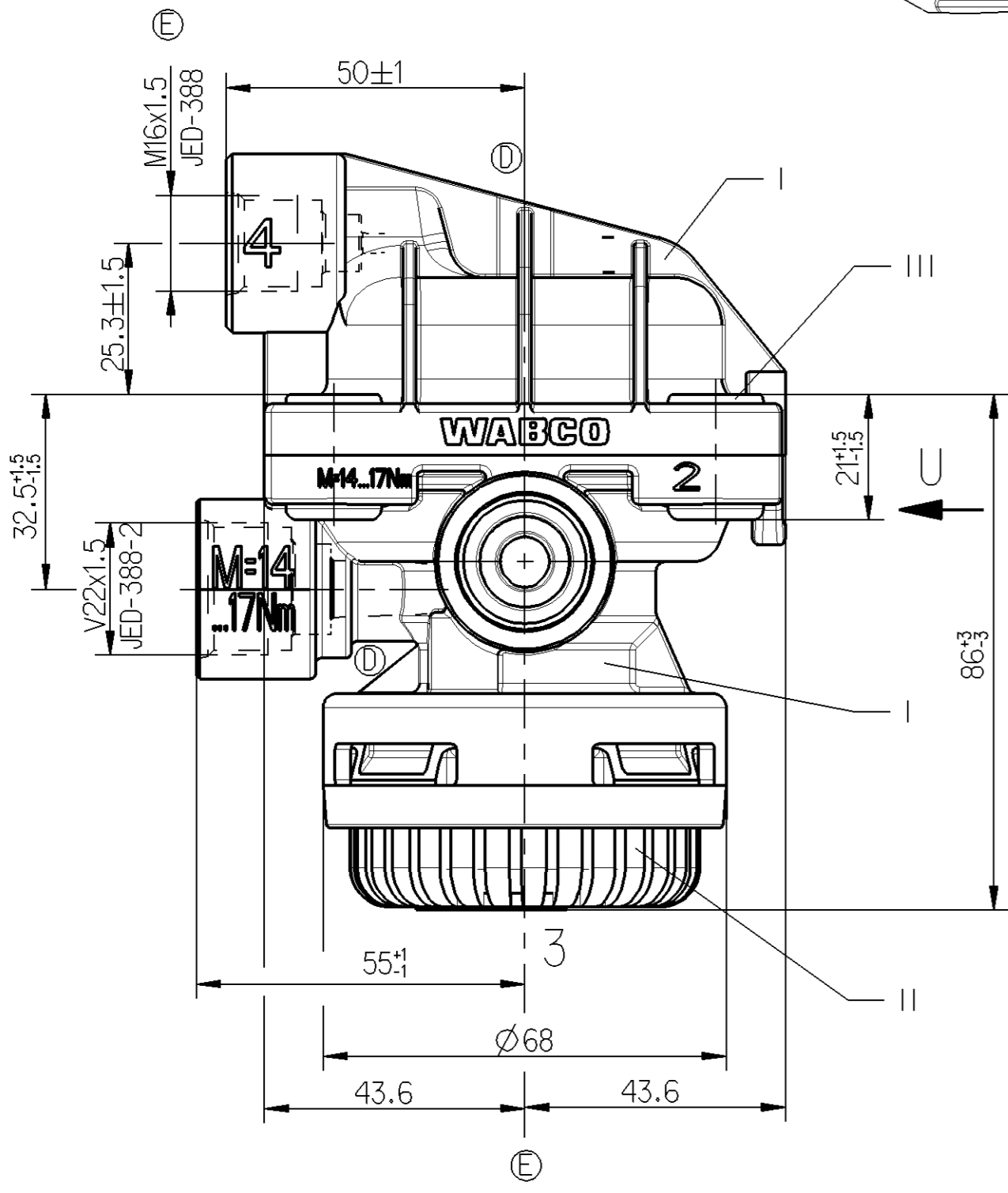
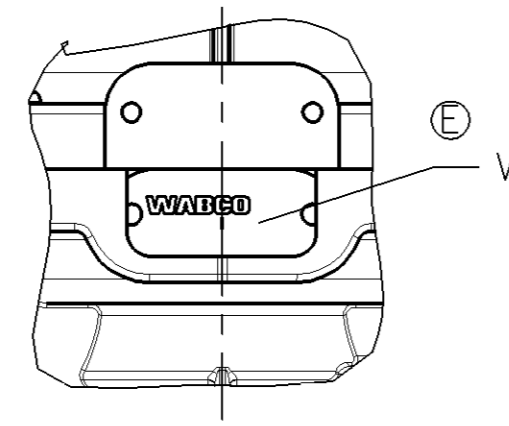
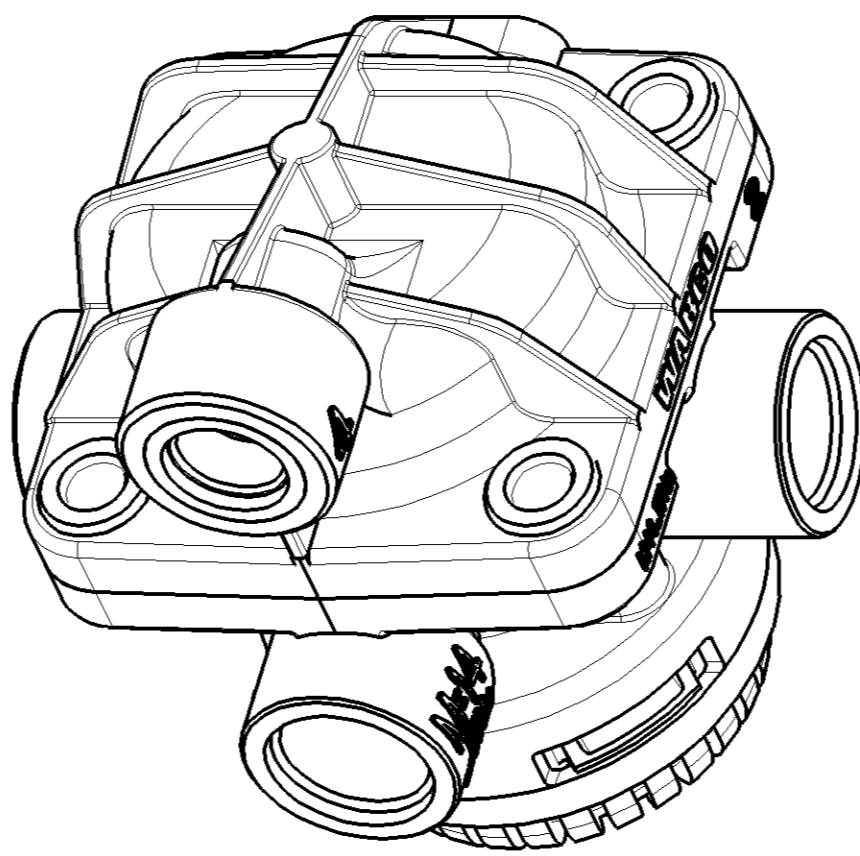
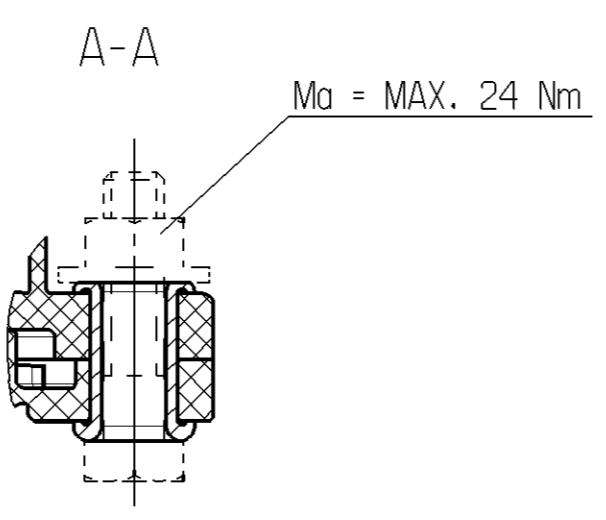


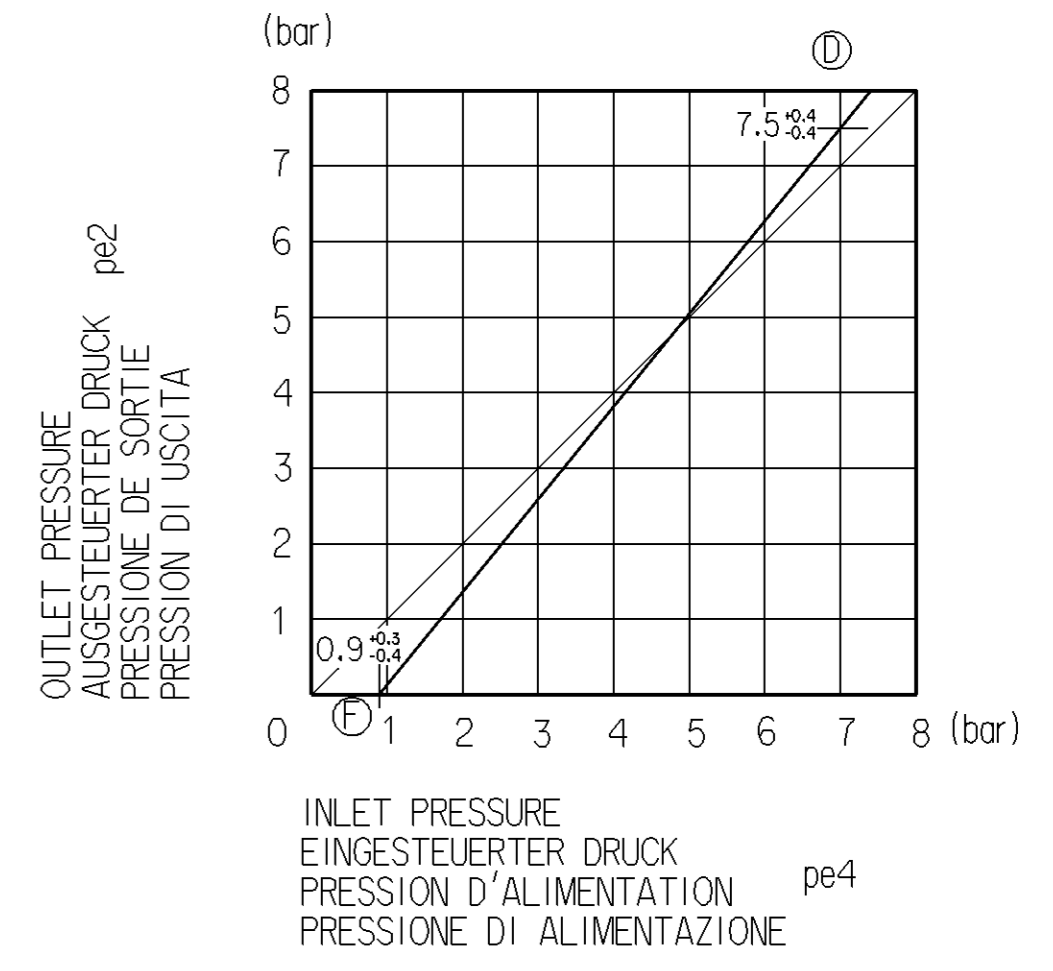
MATERIAL AND SURFACE PROTECTION	
I	JED-359-1/PA 6.6 GF 35%
II	JED-354-1/PA
III	JED-282-1/CuZn
IV	JED-035M/CuZn
V	JED-077-1/AI / JED-007-1



CONTOUR ON FASTENING
KONTUR FUER BEFESTIGUNG
PROFIL DE L' FIXATION
CONTORNO RICALCATO SDI FISSAGGIO



- 1 SUPPLY
VORRAT
ALIMENTATION
ALIMENTAZIONE
- 2 DELIVERY PRESSURE
AUSGESTEUERTER DRUCK
PRESSION DELIVREE
PRESSIONE EROGATA
- 3 EXHAUST
ENTLUEFTUNG
ECHAPPEMENT
SCARICO
- 4 CONTROL PRESSURE
STEUERDRUCK
PRESSION DE COMMANDE
PRESSIONE DI COMANDO



MEDIUM :AIR
MEDIUM :LUFT
FLUIDE :AIR
FLUIDO :ARIA

NOMINAL DIAMETER :
NENNWEITE : 78mm² = ∅10
DIAMETRE NOMINAL :
DIAMETRO NOMINALE :

THERMAL RANGE OF APPLICATION :
THERMISCHER ANWENDUNGSBEREICH: -40 °C...+80 °C
GAMME D'APPLICATION THERMIQUE:
CAMPO TERMICO D'APPLICAZIONE :

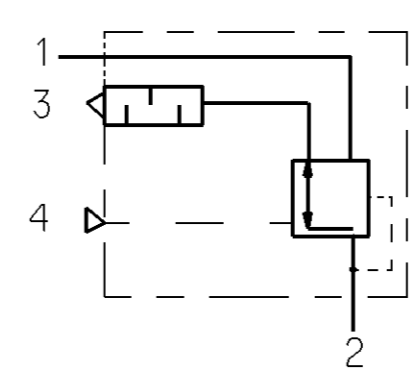
MAX.PERMISSIBLE TORQUE :
MAX.ZULAESSIGES ANZUGSMOMENT :
MAXI.COUPLE DE SERRAGE ADMISSIBLE :
MAX.COPPIA DI SERRAGGIO AMMISSIBILE :

PORT 1;2: ANSCHLUSS 1;2: 14...17 Nm
ORIFICE 1;2: ORIFICE 1;2: 14...17 Nm
ORIFIZIO 1;2: ORIFIZIO 1;2: 14...17 Nm

INSTALLATION POSITION: EXHAUST SHOWN AT BASE (AXIS CENTRE OF THE DEVICE DEVIATES MAX.90° FROM VERTICAL)
EINBAULAGE: ENTLUEFTUNG NACH UNTEN (MITTELACHSE DES GERAEATES MAX. 90° VON DER SENKRECHTEN ABWEICHEND)
POSITION D'INSTALLATION: ECHAPPEMENT VERS LE BAS (ECART DE L'AXE MEDIAN DE L'APPAREIL PAR RAPPORT A LA VERTICALE: 90° MAX.)
POSIZIONE DI MONTAGGIO: SCARICO VERSO IL BASSO (DEVIAZIONE ASSE APPARECCHIO RISPETTO ALLA VERTICALE: MAX.90°)

WORKING PRESSURE : (TEMPORARILY)
BETRIEBSDRUCK : pe = MAX.8.5 bar (KURZZEITIG pe = MAX.11 bar)
PRESSION D'UTILISATION: (DE COURTE DUREE)
PRESSIONE DI ESERCIZIO: (BREVE TEMPO SOLO)

TENSION FREE MOUNTING OF THE LINES
SPANNUNGSFREIE MONTAGE DER LEITUNGEN
MONTAGE DES CONDUITES EXEMPT DE TENSION
FISSAGGIO DEI CONDOTTI SENZA TENSIONE



General Specification: JED-334-0		Copyright WABCO®		WABCO	
Further Technical Data:		Date: 1999-07-14		Doc. Code: 973 006 003 0	
Doc. Code: 059698		Sheet: 3X		Date: 00-06-30	
General Tolerances JED-261		Range of Nominal Dimensions (± mm)		Class 1)	
Fine		0.5, 1.0, 1.5, 2.0		±0.1	
Medium		1.0, 2.0, 3.0, 4.0		±0.2	
Coarse		2.0, 3.5, 5.0, 6.5		±0.3	
Tapped Holes acc.:		1) Tolerance Class Applied Crossmarked			
077217		mf		05-09-09	
077209		9M		03-12-15	
059698		3X		00-06-30	
DCN-No.:		Rev.:		Date:	
State of Revision:					
Mass		Scale		Material No.	
0.375		1:1		973 006 003 0	
RIG		TRI		WABCO Id. No.: 973 006 003 0	
Size		A 1		Doc. Code: 973 006 003 0	
530				Sheet: 1/1	
Function Code		CAD System		Prod. Type	
Pro/E		0 0 X		Replacement for	