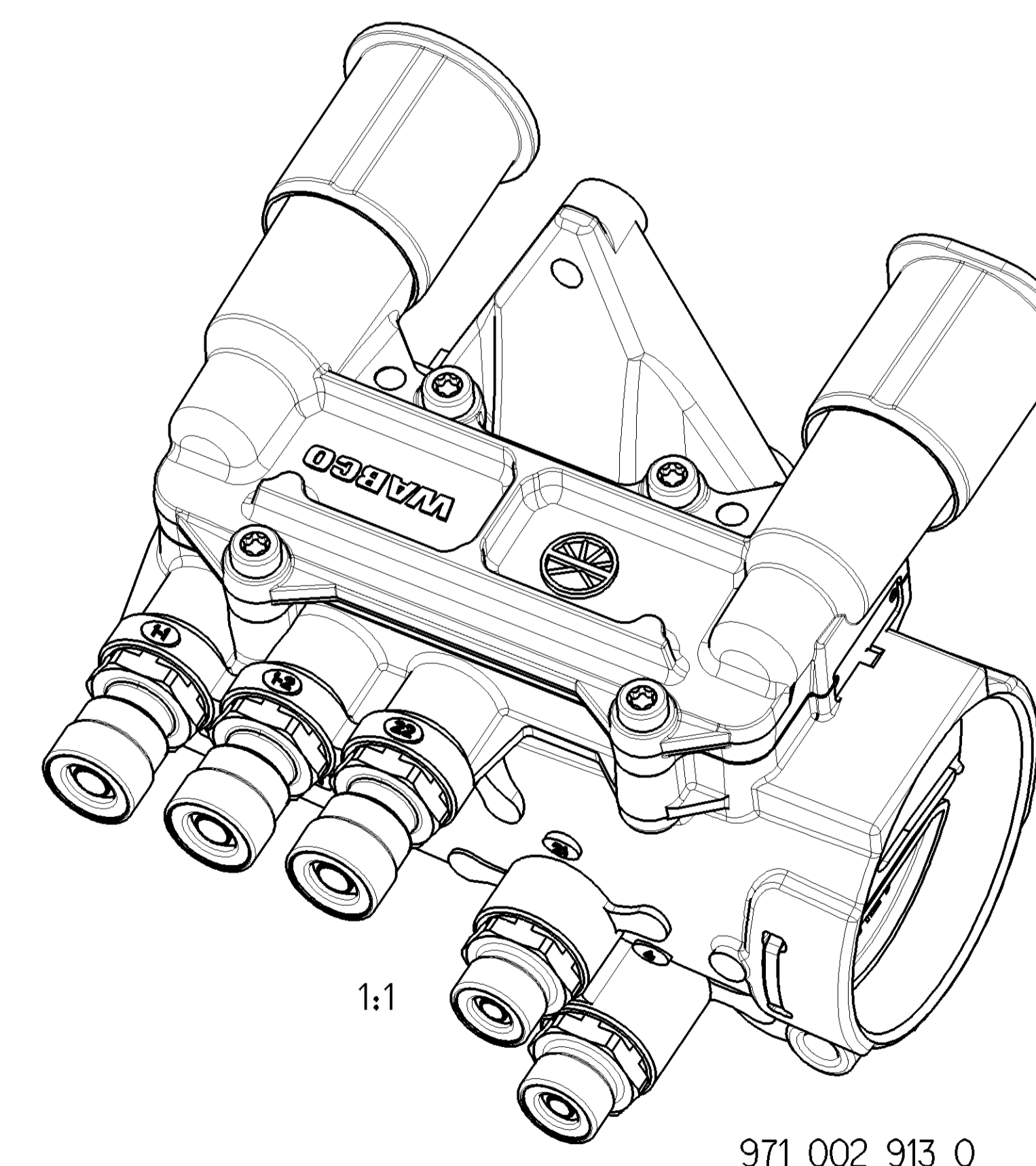
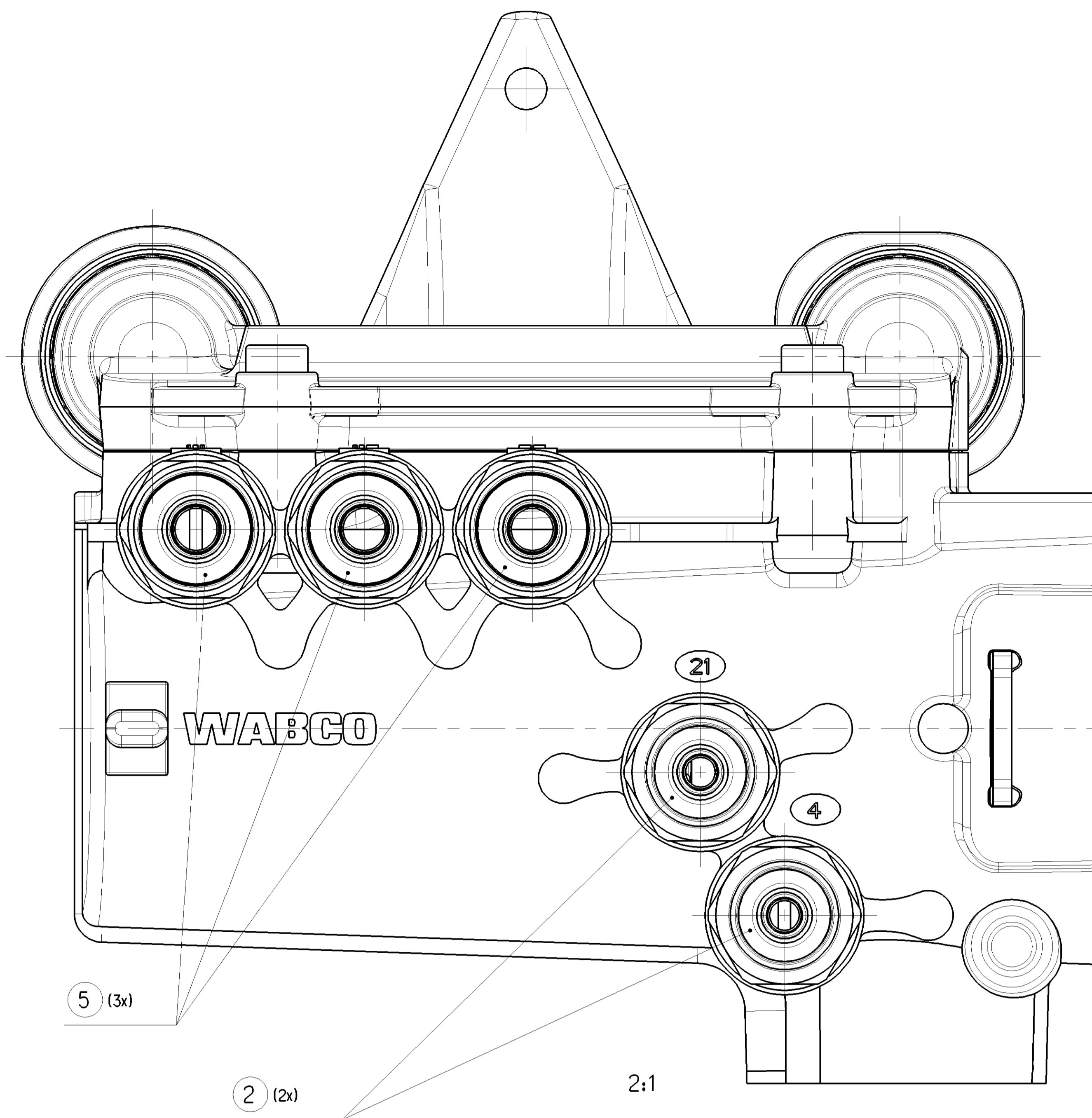


971 002 912 0

This document is the property of WABCO. It is intended for use by the customer only. It is not to be distributed, copied, or otherwise used without the written consent of WABCO. WABCO reserves the right to change the design of this product without notice. The information in this document is subject to change without notice.

General Specifications: 4ED-334-1, Size ISO 144/05 LP		Design: 416007*		WABCO	
Further Technical Data:		Date: 2021-02-10		Part Name: Park Release Emergency Valve	
Doc. Code: 4ED-334-1		Sheet: 1 of 1		Part Name: Park-Löse Sicherheitsventil	
General Tolerances: 4ED-261		Drawn: Syska		Part Name: Valve d'urgence et desserage remorque	
Range of Nominal Dimensions L (± mm)		Checked: Syska		Part Name: Servodistributore PREV	
Class		Material: Steel		Serial No.:	
Fine		Surface: 2:1		Date of 1st Issue:	
Medium		Tolerance: ±0.1		Doc. Code: 053 ML	
Coarse		Finish: 3 ± 0.05		Language: 3/4	
Tapped Holes acc. 4ED-102		Part No.:		Replacement for:	
Tolerance class: Appoint. Unmarked		Part No.:		Part No.:	
		A 0		506248	



General Specifications: 4D-554-1, Size ISO 144/05 LP		Copyright WABCO®		WABCO	
Further Technical Data:		Date: 2021-02-10		System: Park Release Emergency Valve	
Doc. Code: 2021-02-10		Sheet: 1 of 1		Status: Extern	
General Tolerances: 4D-261		Checked: Syska		Part Code: 053 ML 4/41	
Range of Nominal Dimensions (d in mm)		Last: Syska		Language: ML	
Class	to	± 50	± 180	± 400	± 400
Fine	0,5	1,0	1,5	2,0	
Medium	X 1,0	2,0	3,0	4,0	
Coarse	2,0	3,5	5,0	6,5	
Tapped Holes acc. 4D-102		SEE TABLE		Revision: 2:1	
Tolerances class: Appoint. Unspecified		No. 971 002 913 0		Date of 1st date: 053 ML 4/41	
A 0		CREO		Revision: L 5255	

This document is intended for internal use only. It is not to be distributed outside the company. It is the property of WABCO. All rights reserved. No part of this document may be reproduced, stored in a retrieval system, or transmitted, in any form or by any means, electronic, mechanical, photocopying, recording, or by any information storage and retrieval system, without the prior written permission of WABCO. The information contained herein is confidential and its disclosure to third parties is strictly prohibited. WABCO is not responsible for any damage or loss resulting from the use of this document.