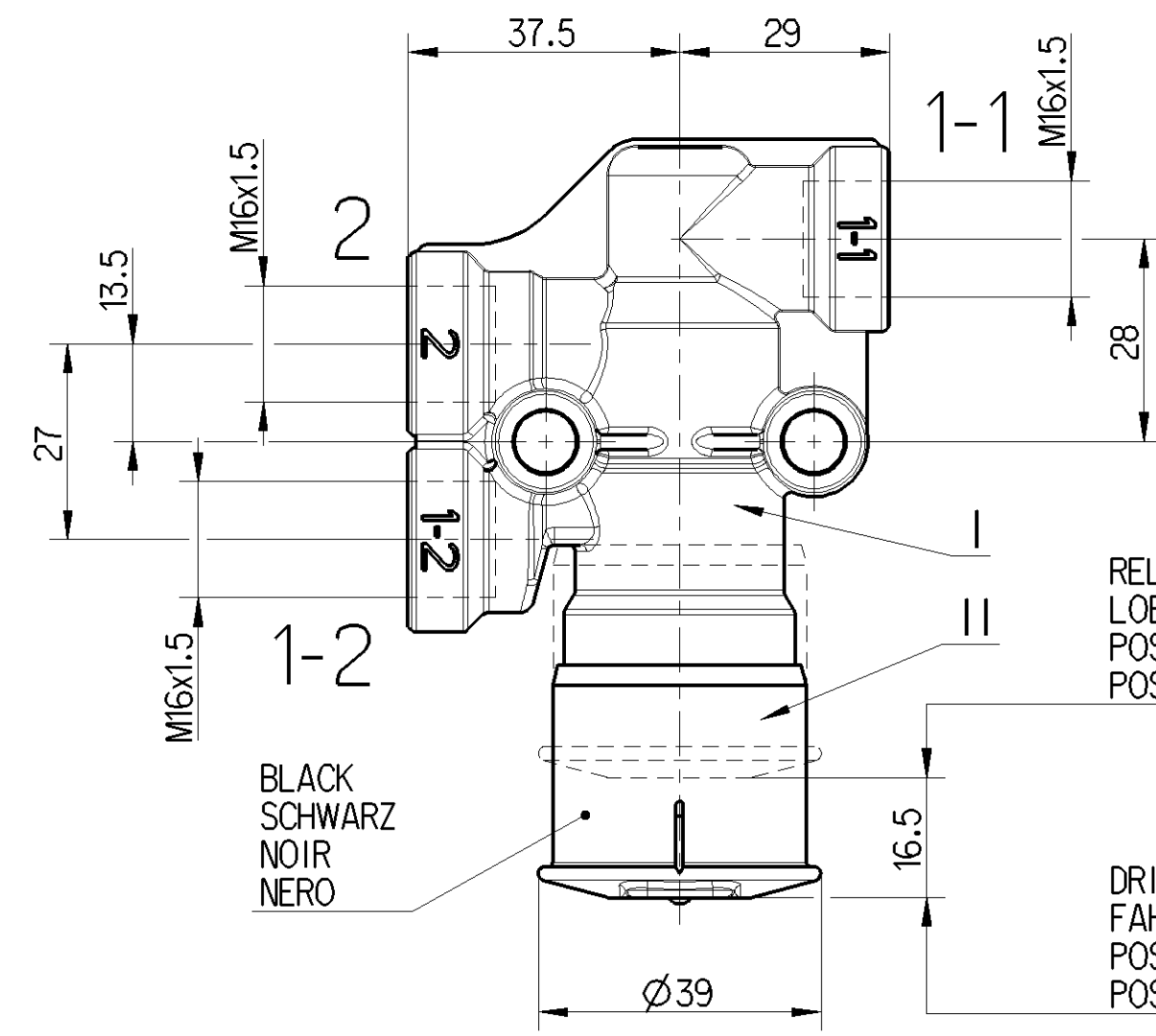


Non e' permesso copiare, o terzi o riprodurre questo documento, ne utilizzare il contenuto o renderlo comunque noto o terzi senza autorizzazione esplicita. Ogni infrazione costituira un evidente abuso e comportera il risarcimento dei danni subiti. E' fatta riserva di tutti i diritti derivanti da brevetti o modelli.

Copying of this document and giving it to others and the use or communication of the contents thereof, are forbidden without express authority. Contravention of this restriction will constitute an evident abuse and result in a liability to the payment of damages. All rights are reserved in the event of the grant of patent or registration of a utility model or design. This document is the subject of copyright.

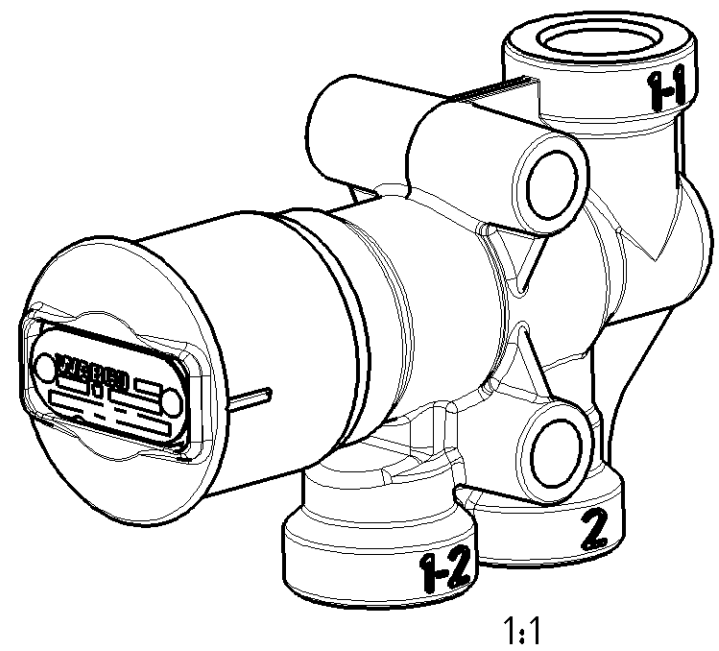
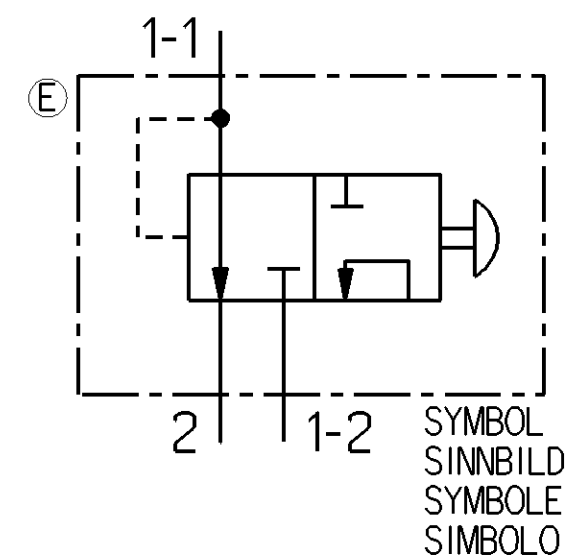
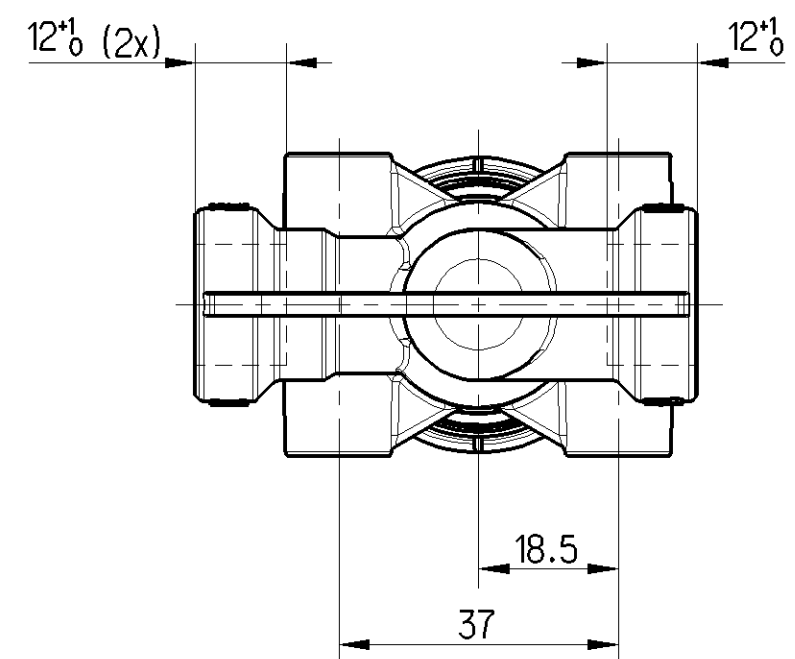
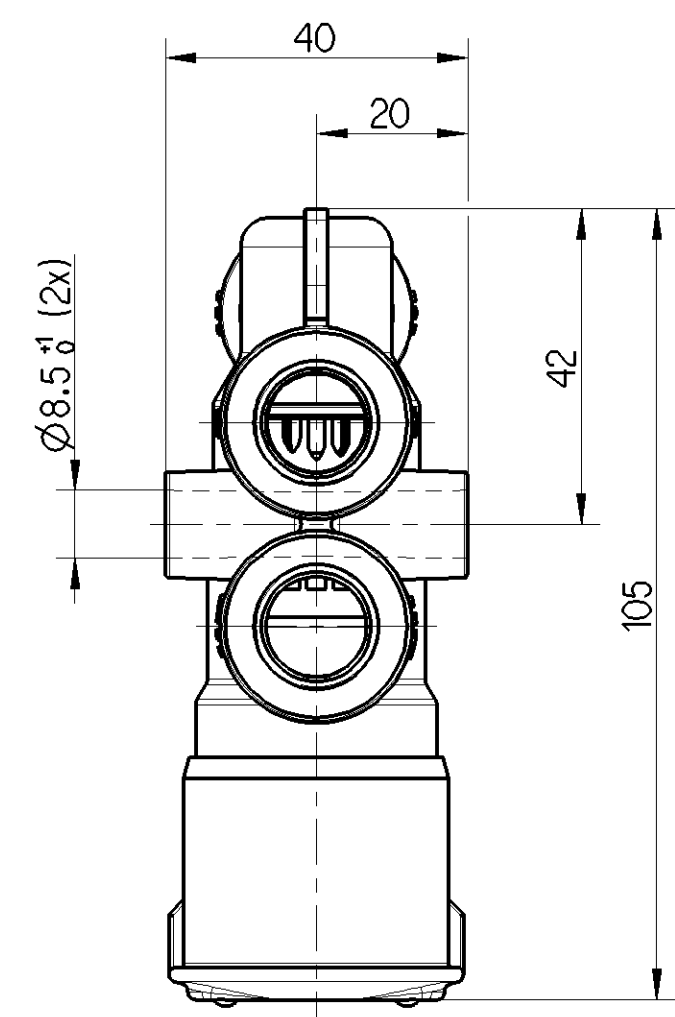
Tout e reproduction ou reproduction de ce document, toute exploitation ou communication de son contenu sont interdites, sauf autorisation expresse. Tout manquement a cette regle constitue un abus evident et expose son auteur au versement de dommages et interets. Tous droits de proprieete industrielle reserves, notamment en matiere de brevets et de modesles.

Wiederholte sowie Verletzung dieser Urheberschaft, Vervielfachung und Mitteilung ohne schriftliche Genehmigung sind nicht ausdrucklich angedeutet. Wiederholungen stellen einen offensichtlichen Missbrauch dar und verpflichten zu Schadenersatz. Alle Rechte fuer den Fall der Patentierung oder Gebrauchsmuster-Eintragung vorbehalten.



RELEASE POSITION
LOESESTELLUNG
POSITION DE DESSERRAGE
POSIZIONE DI RILASCIO

DRIVING POSITION
FAHRTSTELLUNG
POSITION DE VOYAGE
POSIZIONE DI VIAGGIO



	MATERIAL WERKSTOFF MATERIE MATERIALE	PROTECTION SCHUTZ PROTEZIONE PROTEZIONE
I	JED-029M3 (ALUMINIUM)	JED-259
II	JED-005M2/3 (POM)	-

MAXIMUM WORKING PRESSURE MAXIMAL BETRIEBSDRUECK PRESSION D'UTILISATION MAXIMUM PRESSIONE DI ESERCIZIO MASSIMO	P1 = 8,5 bar
THERMAL RANGE OF APPLICATION THERMISCHER ANWENDUNGSBEREICH GAMME D'APPLICATION THERMIQUE CAMPO DI APPLICAZIONE TERMICA	-40°C ... +80°C
MINIMUM NOMINAL DIAMETER MINIMAL NENNWEITE DIAMETRE NOMINAL MINIMUM DIAMETRO NOMINALE MINIMO	(1-1)---->(2) Ø8 (1-2)---->(2) Ø6
MEDIUM MEDIUM FLUIDE FLUIDO	AIR LUFT AIR ARIA
TORQUE FOR CONNECTIONS ANZUGSMOMENT FUER EINSCHRAUBSTUTZEN COUPLE DE SERRAGE DES RACCORDS COPPIA DI SERRAGGIO DEI RACCORDI	34 Nm MAX.



WORKING POSITION:
EINBAULAGE:
POSITION DE FONCTIONNEMENT:
POSIZIONE DI FUNZIONAMENTO:

1-1	SUPPLY VORRANT ALIMENTATION ALIMENTAZIONE
1-2	AIR RESERVOIR LUFTBEHAELTER RESERVOIR D'AIR SERBATOIO D'ARIA
2	RELAY EMERGENCY VALVE ANHAENGER-BREMSVENTIL VALVE RELAIS D'URGENCE SERVO DISTRIBUTORE

General Specification: JED-334-1, Size ISO 14405 LP		Copyright WABCO®		WABCO	
Further Technical Data:		Date	Signature	RELEASE VALVE LOESEVENTIL VALVE DE DESSERRAGE VALVOLA DI SFRENATURA	
Doc. Code	Sheet To	2015-11-16	Szyska	005 ML 1/1	
General Tolerances JED-261		Checked	Hlodik	963 006 001 0	
Range of Nominal Dimensions (± mm)		Expert Szyska		Material No.	
Class 1)	≤ 50 > 50 ≤ 180 > 180 ≤ 400 > 400	Mass	Scale	Date of first issue: 2010-08-13	
Fine	±0.1	0.151	1:1	Doc.Code Language Sheet	
Medium	±0.2	1.0	1:1	963 006 001 0	
Coarse	±0.3	2.0	1:1	ECN-No. Revision Techn. Resp.	
Tapped Holes acc. JED-152		165922	3 x E	5320	
1) Tolerance Class Applied Crossmarked		A 2	CREO	Replacement for	

100mm