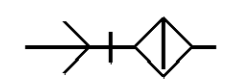
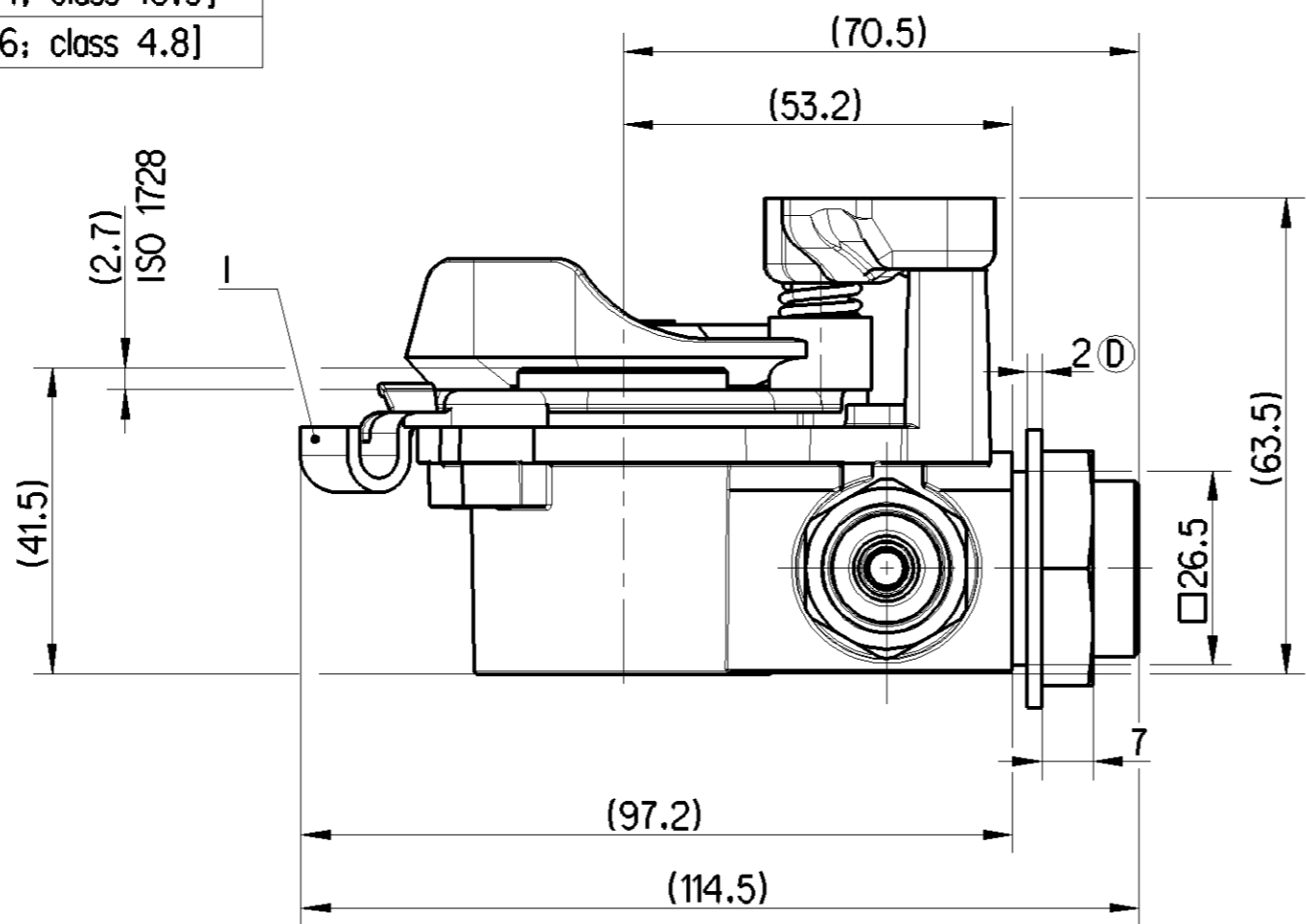


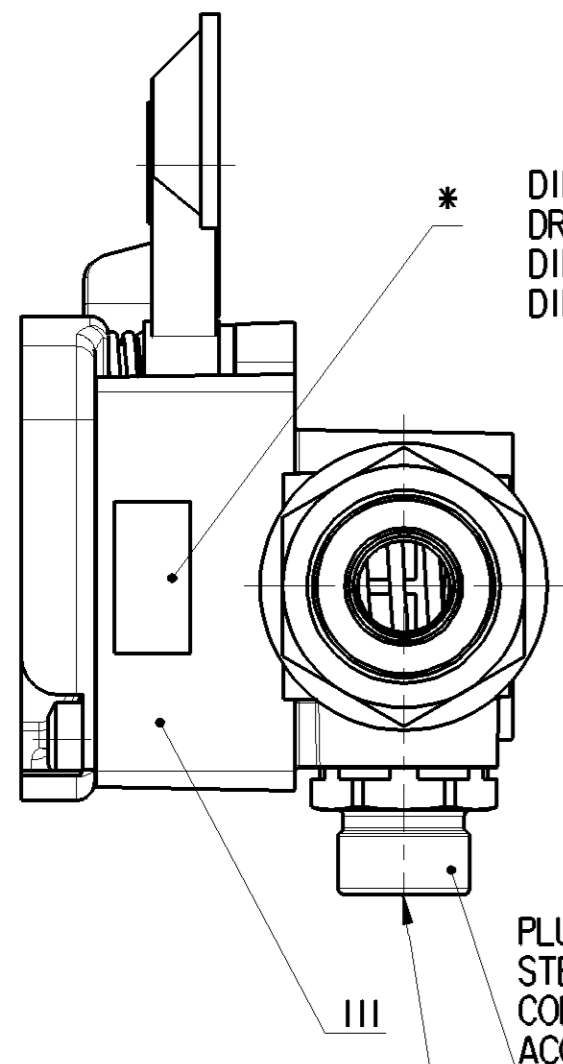
No.	MATERIAL	SURFACE PROTECTION	COMPONENT NAME
I	JED-475-2	JED-256-5	GUIDE, FUEHRUNG, GUIDE, GUIDA
II	JED-7080M	-	SEALING, DICHTEN, ETANCHEITE, IMPERMEABILIT
III	JED-029M1	JED-259	BODY, GEHAEUSE, CORPO, CORPS USINE
IV	JED-365-1 (PP)	-	COVER, DECKEL, COUVERCLE, COPERCHIO
V	EN 10277-3(8)	JED-257	BODY, GEHAEUSE, CORPO, CORPS USINE
VI	JED-365-1 (PP)	JED-257	COVER, DECKEL, COUVERCLE, COPERCHIO
VII	JED-051M4	JED-256-4	SCREW, SCHRAUBE, VIS, VITE [M4; class 10.9]
VIII	JED-051M1	JED-256-4	SCREW, SCHRAUBE, VIS, VITE [M6; class 4.8]

⚠ SAFETY CHARACTERISTICS	0
⚡ SIGNIFICANT CHARACTERISTICS	0
⚙ CUSTOMER INTERFACE	0

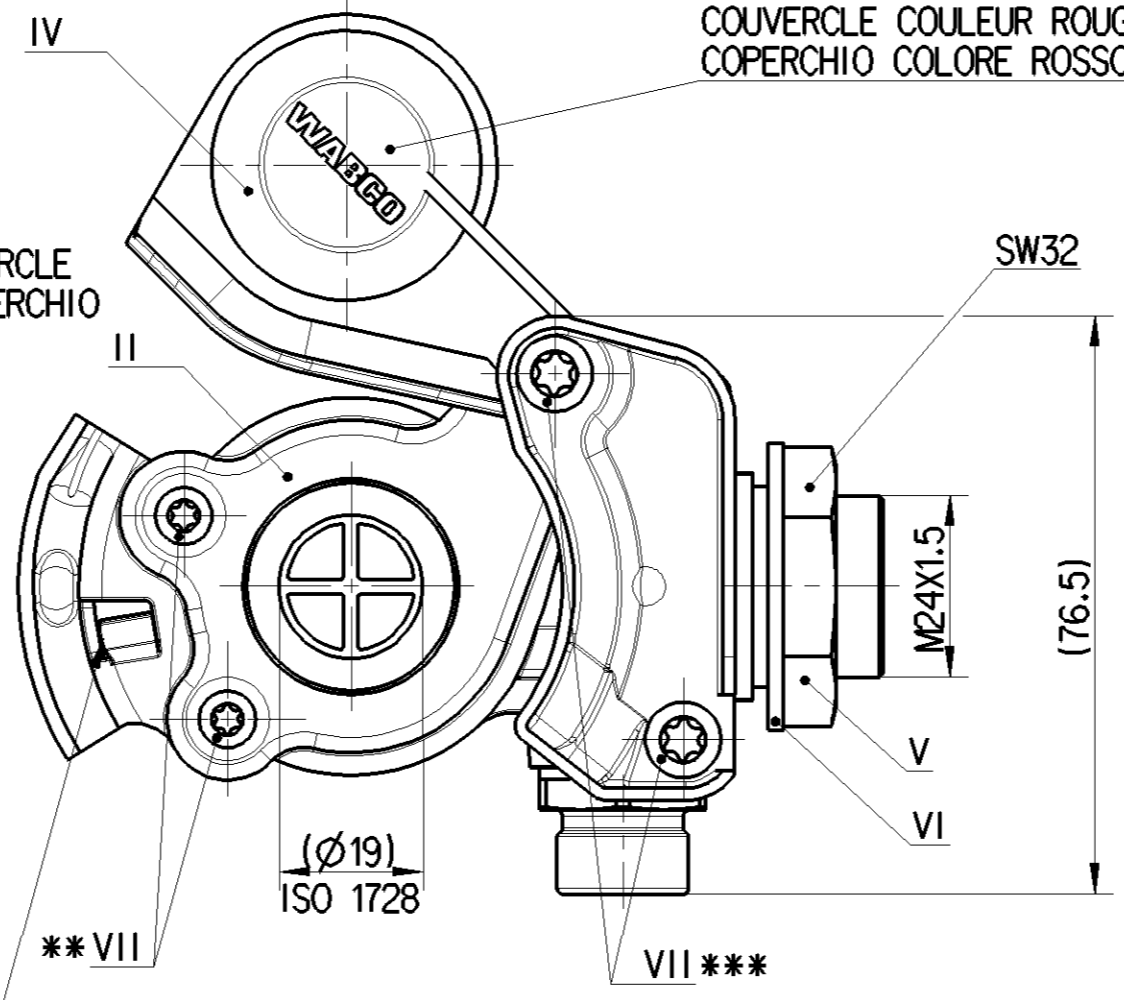
USAGE VERWENDUNG UTILISATION APPLICAZIONE	SUPPLY LINE VORRATSLEITUNG CONDUITE D'ALIMENTATION CONDOTTO DI SERVIZIO
SYMBOL SYMBOL SYMBOLE SIMBOLO	ISO 1219 
WORKING POSITION EINBAULAGE POSITION DE FONCTIONNEMENT POSIZIONE DI FUNZIONAMENTO	UNIMPORTANT BELIEBIG INDIFFERENTE INDIFFERENTE
WORKING MEDIUM ARBEITSMEDIUM FLUIDE D'UTILISATION FLUIDO DI ESERCIZIO	COMPRESSED AIR DRUCKLUFT AIR COMPRIE ARIA COMPRESSA
NORM NORM NORME NORMA	ISO 1728
AMBIENT MEDIUM UMGEBUNGSMEDIUM FLUIDE AMBIANT FLUIDO AMBIENTE	AIR (CONTAINING WATER, DUST AND OIL) LUFT (WASSER-, STAUB- UND OELHALTIG) AIR (HUMIDE, HUILEUX, POUSSIEREUX) ARIA (ACQUA, POLVERE ED OLIO INQUINATO)
WORKING TEMPERATURE THERMISCHER ARBEITSBEREICH TEMPERATURE DE FONCTIONNEMENT TEMPERATURA DI UTILIZZAZIONE	-40°...+80°C
MAX INLET PRESSURE MAX BETRIEDSDRUCK PRESSION D'ALIMENTATION MAXI TEMPERATURA DI UTILIZZAZIONE	8.5 bar
TORQUE ANZUGSMOMENT COUPLE DE SERRAGE COPPIA DI SERRAGGIO	** *** 1.5 ^{+0.5} ₀ Nm 4 ⁺¹ ₀ Nm



COVER COLOUR RED
VERSCHLUSSECKEL ROT
COUVERCLE COULEUR ROUGE
COPERCHIO COLORE ROSSO



PLUG IN
STECKVERBINDER
CONNECTEUR ENFICHABLE
ACOPLIAMIENTO DE ENCHUFE



DIRECTION OF COVER ROTATION
DREHRICHTUNG DECKEL
DIRECTION DE LA ROTATION DU COUVERCLE
DIREZIONE DELLA ROTAZIONE DEL COPERCHIO

SAFEGUARD AGAINST CROSS-COUPPLING
VERTAUSCHSICHERUNG
SECURITEEN CAS DE CONNEXION
PROTEZIONE CONTRO CONNESSIONE INCORRETTA

* WABCO DEVICE NUMBER, DATE OF MANUFACTURE
WABCO-GERATE NUMMER, HERSTELLDATUM
NUMERO DE L'APPAREIL WABCO, DATE DE FABRICATION
NUMERO DELL'APPARECCHIO WABCO, DATA DI FABBRICAZIONE

SW32 TIGHTENING TORQUE:
SW32 ANZUGSMOMENT: 45±5Nm
SW32 COUPLE DE SERRAGE:
SW32 COPPIA DI SERRAGGIO:

FOR PIPE 8x1 TO DIN 74324
FÜR ROHR 8x1 NACH DIN 74324
POUR TUBE 8x1 DE DIN 74324
EN TUBO 8x1 A DIN 74324

General Specification: JED-334-1, Size ISO 14405 LP		Copyright WABCO®		WABCO	
Further Technical Data: 952 201 000 0		Date	Signature	HOSE COUPLING WITH INTEGRATED FILTER KUPPLUNGSKOPF MIT INTEGRIERTEM FILTER TETE D'ACCOUPLMENT AVEC FILTRE TESTA D'ACCOPIAMENTO CON FILTRO	
Doc. Code: 035	Sheet: To	2020-05-14	Stosick	2006-09-21	
General Tolerances JED-261		Checked	Piskodio	005 ML 1/1	
Range of Nominal Dimensions (± mm)		Expert		952 201 015 0	
Class	1) ≤ 50 > 50 ≤ 180 > 180 ≤ 400 > 400	Mass	Scale	Material No.	
Fine	±0.1	0.340	1:1	Date of first issue: 2006-09-21	
Medium	±0.2	kg		Doc. Code Language Sheet	
Coarse	±0.3			005 ML 1/1	
Tapped Holes acc. JED-152		Size	CAD System	ECN-No. Revision Techn. Resp. Replacement for	
1) Tolerance Class Applied Crossmarked		A 2	CREO	504222 2x D 5712	

Non e permesso copiare o terzi o riprodurre questo documento, ne utilizzare il contenuto o renderlo comunque noto a terzi
 sans autorisation expresse. Toute utilisation non autorisee est interdite. Toute reproduction sans autorisation expresse est interdite.
 E' fatta riserva di tutti i diritti derivanti da brevetti o modelli.
 Copying of this document and giving it to others and the use or communication of the contents thereof, are forbidden without express
 authority. Copying of this document will constitute an evident abuse and result in a liability to the payment of damages. All rights
 are reserved in the event of the grant of patent or registration of a utility model or design. This document is the subject of copyright.
 Toute communication ou reproduction de ce document, toute exploitation ou communication de son contenu sont interdites, sans
 autorisation expresse. Toute utilisation non autorisee est interdite. Toute reproduction sans autorisation expresse est interdite.
 E' fatta riserva di tutti i diritti derivanti da brevetti o modelli.
 Nachdruck, Vervielfältigung und Verbreitung, auch auszugsweise, ist ohne schriftliche Genehmigung der WABCO AG.
 Toute reproduction ou communication de ce document, toute exploitation ou communication de son contenu sont interdites, sans
 autorisation expresse. Toute utilisation non autorisee est interdite. Toute reproduction sans autorisation expresse est interdite.
 E' fatta riserva di tutti i diritti derivanti da brevetti o modelli.