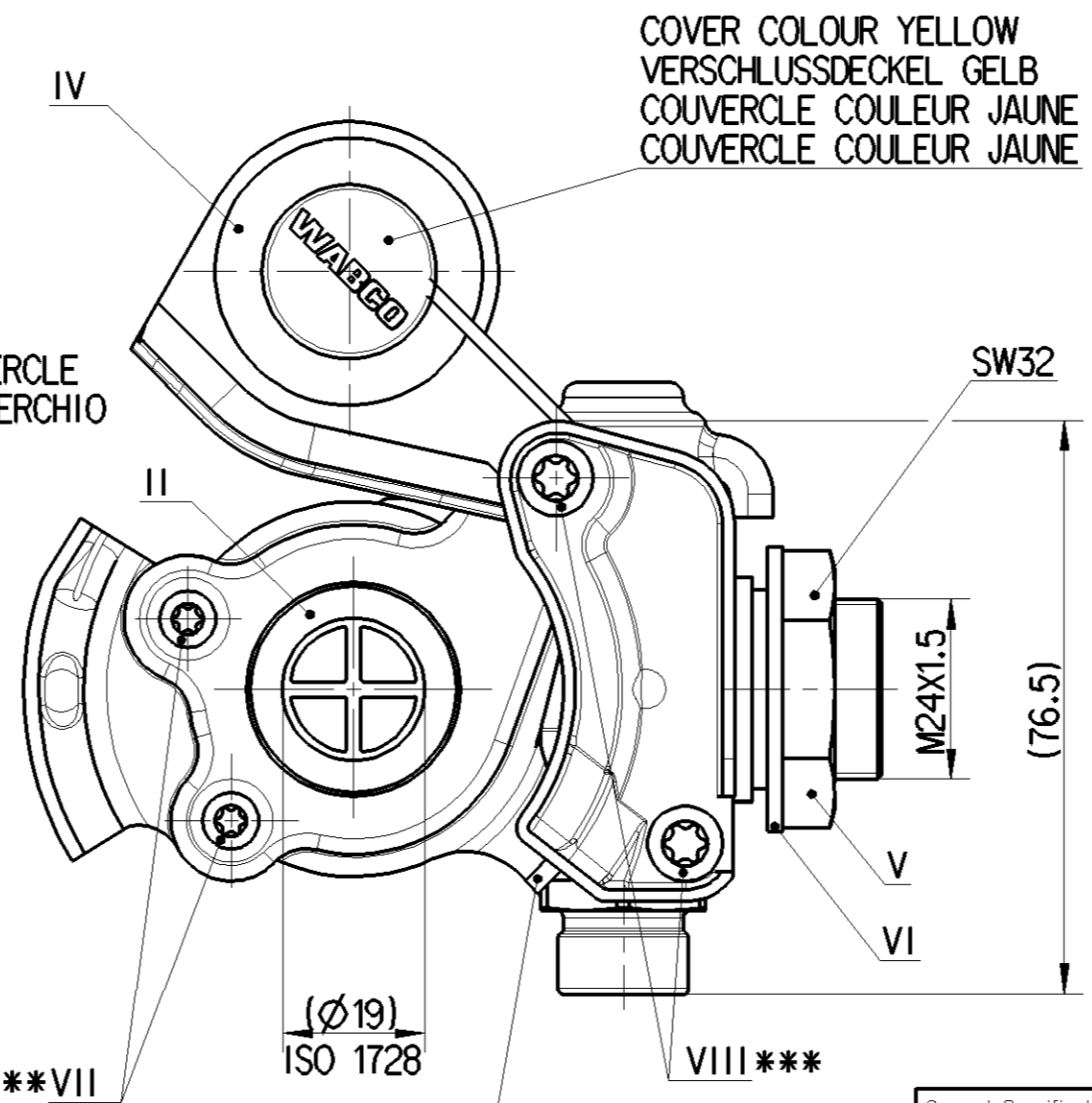
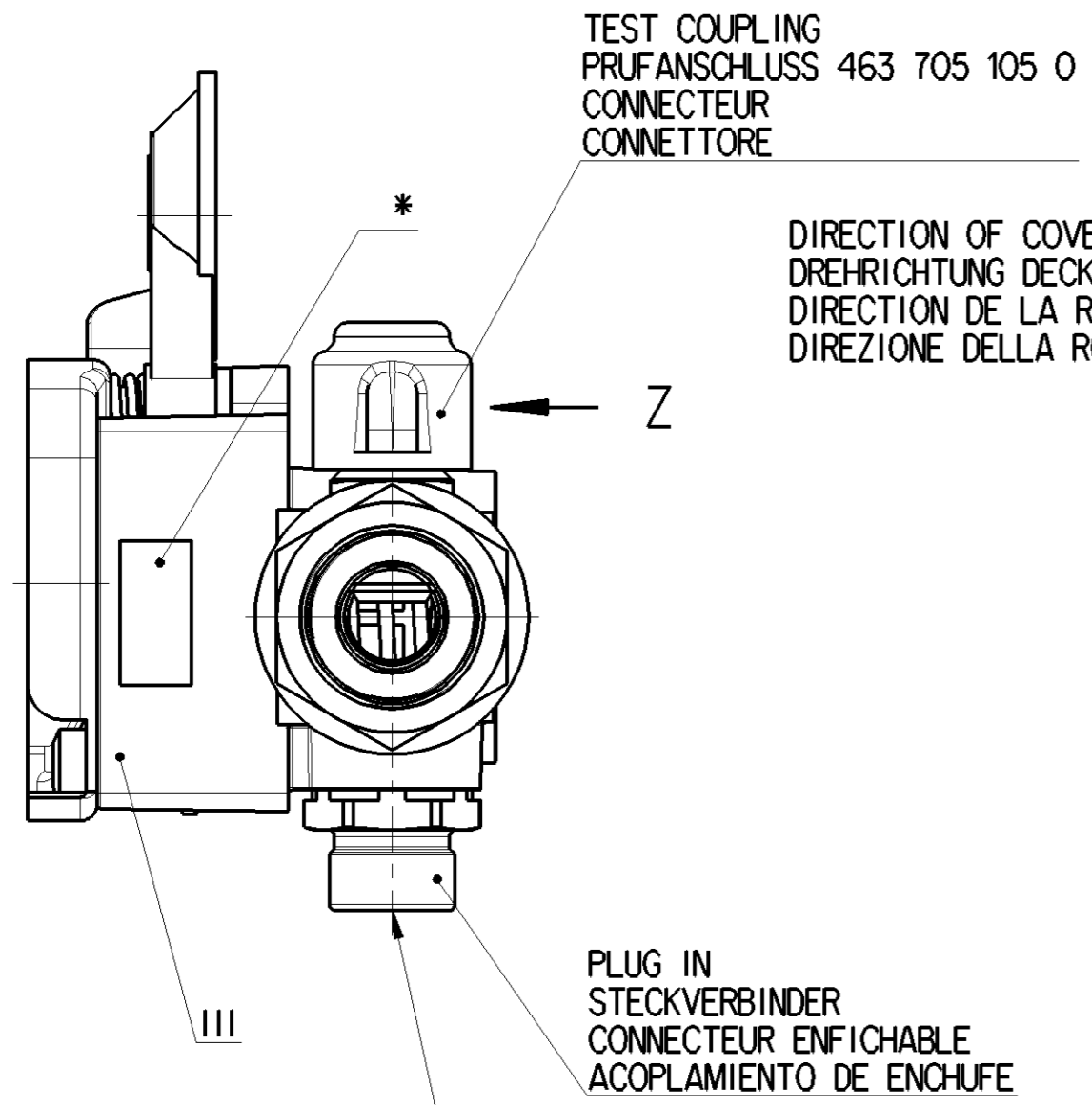
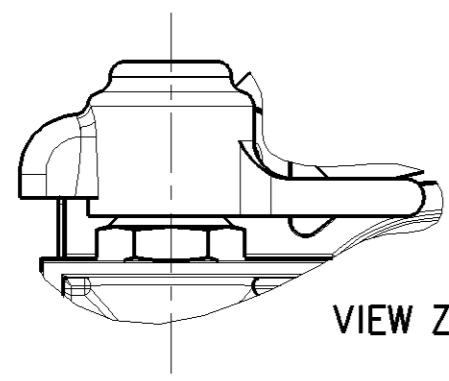
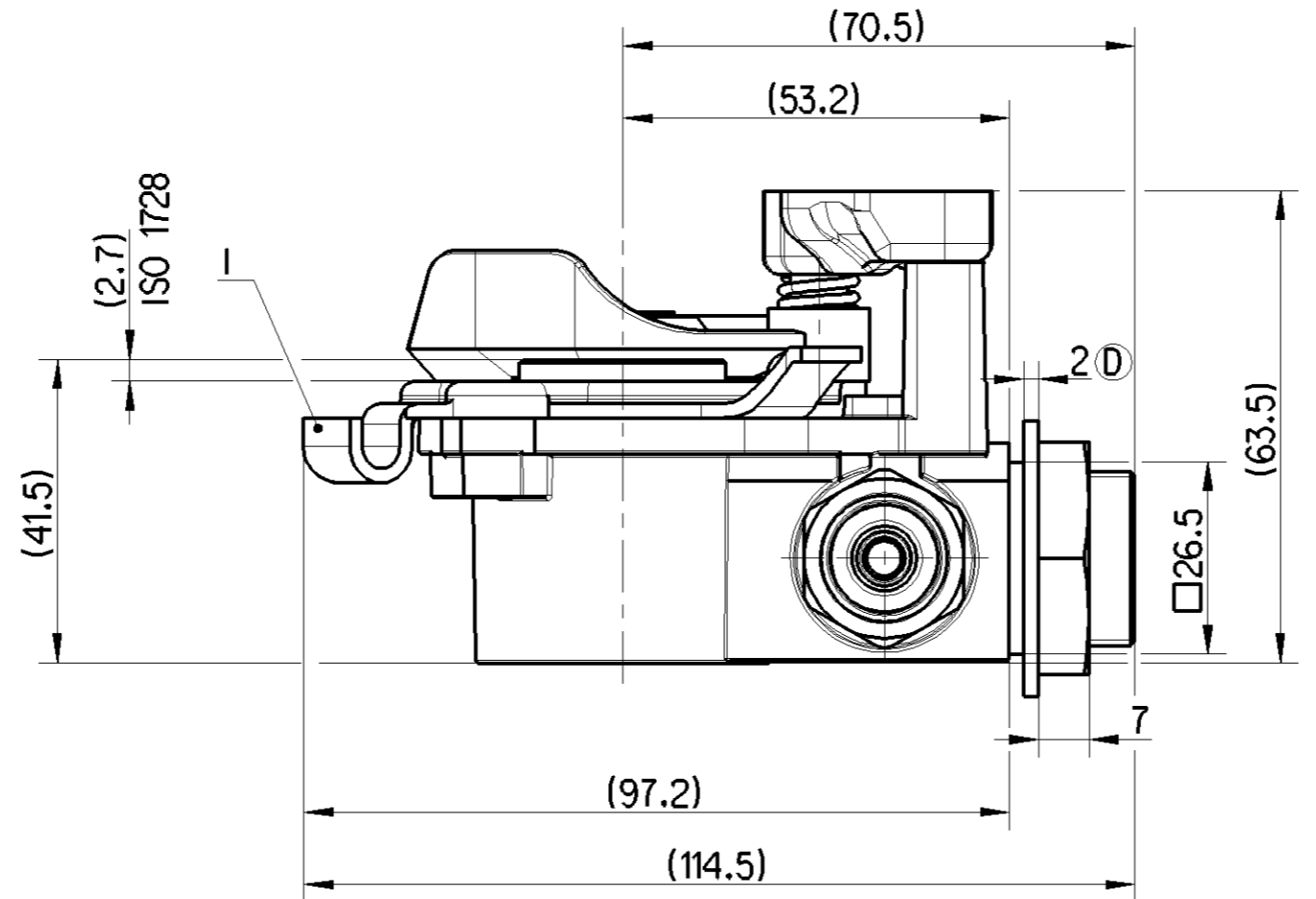


No.	MATERIAL	SURFACE PROTECTION	COMPONENT NAME
I	JED-475-2	JED-256-5	GUIDE, FUEHRUNG, GUIDE, GUIDA
II	JED-7080M	-	SEALING, DICHTEN, ETANCHEITE, IMPERMEABILIT
III	JED-029M1	JED-259	BODY, GEHAEUSE, CORPO, CORPS USINE
IV	JED-365-1 (PP)	-	COVER, DECKEL, COUVERCLE, COPERCHIO
V	EN 10277-3(8)	JED-257	NUT, MUTTER, ECRU, DADO
VI	JED-475-2	JED-257	WASHER, SCHEIBE, RONDELLE, ROSETTA
VII	JED-051M4	JED-256-4	SCREW, SCHRAUBE, VIS, VITE [M4; class 10.9]
VIII	JED-051M1	JED-256-4	SCREW, SCHRAUBE, VIS, VITE [M6; class 4.8]

<1> SAFETY CHARACTERISTICS	0
<2> SIGNIFICANT CHARACTERISTICS	0
<3> CUSTOMER INTERFACE	0

USAGE VERWENDUNG UTILISATION APPLICAZIONE	CONTROL LINE BREMSLEITUNG CONDUITE DE COMMANDE TUBAZIONE DEL FRENO	
SYMBOL SYMBOL SYMBOLE SIMBOLO	ISO 1219	
WORKING POSITION EINBAULAGE POSITION DE FONCTIONNEMENT POSIZIONE DI FUNZIONAMENTO	UNIMPORTANT BELIEBIG INDIFFERENTE INDIFFERENTE	
WORKING MEDIUM ARBEITSMEDIUM FLUIDE D'UTILISATION FLUIDO DI ESERCIZIO	COMPRESSED AIR DRUCKLUFT AIR COMPRIE ARIA COMPRESSA	
NORM NORM NORME NORMA	ISO 1728	
AMBIENT MEDIUM UMGEBUNGSMEDIUM FLUIDE AMBIANT FLUIDO AMBIENTE	AIR (CONTAINING WATER, DUST AND OIL) LUFT (WASSER-, STAUB- UND OELHALTIG) AIR (HUMIDE, HUILEUX POUSSIEREUX) ARIA (ACQUA, POLVERE ED OLIO INQUINATO)	
WORKING TEMPERATURE THERMISCHER ARBEITSBEREICH TEMPERATURE DE FONCTIONNEMENT TEMPERATURA DI UTILIZZAZIONE	-40°...+80°C	
MAX INLET PRESSURE MAX BETRIEDSDRUCK PRESSION D'ALIMENTATION MAXI TEMPERATURA DI UTILIZZAZIONE	8.5 bar	
TORQUE ANZUGSMOMENT COUPLE DE SERRAGE COPPIA DI SERRAGGIO	** 1.5 ^{+0.5} ₀ Nm	*** 4 ⁺¹ ₀ Nm



DIRECTION OF COVER ROTATION
DREHRICHTUNG DECKEL
DIRECTION DE LA ROTATION DU COUVERCLE
DIREZIONE DELLA ROTAZIONE DEL COPERCHIO

SAFEGUARD AGAINST CROSS-COUPLING
VERTAUSCHSICHERUNG
SECURITEEN CAS DE DEFAUT DE CONNEXION
PROTEZIONE CONTRO CONNESSIONE INCORRETTA

* WABCO DEVICE NUMBER, DATE OF MANUFACTURE
WABCO-GERATE NUMMER, HERSTELLDATUM
NUMERO DE L'APPAREIL WABCO, DATE DE FABRICATION
NUMERO DELL'APPARECCHIO WABCO, DATA DI FABBRICAZIONE

SW32 TIGHTENING TORQUE:
SW32 ANZUGSMOMENT: 45±5Nm
SW32 COUPLE DE SERRAGE:
SW32 COPPIA DI SERRAGGIO:

FOR PIPE 8x1 TO DIN 74324
FUER ROHR 8x1 NACH DIN 74324
POUR TUBE 8x1 DE DIN 74324
EN TUBO 8x1 A DIN 74324

General Specification: JED-334-1, Size ISO 14405 LP		Copyright WABCO®		WABCO	
Further Technical Data: 952 201 000 0		Date	Signature	HOSE COUPLING WITH INTEGRATED FILTER KUPPLUNGSKOPF MIT INTEGRIERTEM FILTER TETE D'ACCOUPLMENT AVEC FILTRE TESTA D'ACCOPIAMENTO CON FILTRO	
Doc. Code: 035	Sheet: To	2020-05-14	Stosick	952 201 014 0	
General Tolerances JED-261		2020-05-15	Piskodio	005 ML 1/1	
Range of Nominal Dimensions (± mm)		Expert Piskodio		Material No.	
Class 1)	≤ 50 > 50 > 180 > 400 > 400	Mass	Scale	Date of first issue: 2006-10-04	
Fine	0.5 1.0 1.5 2.0	0.39	1:1	Doc.Code Language Sheet	
Medium	1.0 2.0 3.0 4.0	KG		005 ML 1/1	
Coarse	2.0 3.5 5.0 6.5	Size	CAD System	Replacement for	
Tapped Holes acc. JED-152		A 2	CREO	ECN-No. Revision Techn. Resp.	
1) Tolerance Class Applied Crossmarked		504222	2x D	5712	

Non e permesso copiare, o terzi o riprodurre questo documento, ne utilizzare il contenuto o renderlo comunque noto a terzi senza autorizzazione esplicita. Ogni infrazione costituisce un evidente abuso e comportera il risarcimento dei danni subiti. E' fatta riserva di tutti i diritti derivanti da brevetti o modelli.
 Copie of this document and giving it to others and the use or communication of the contents thereof, are forbidden without express authority. Contravention of this restriction will constitute an evident abuse and result in a liability to the payment of damages. All rights are reserved in the event of the grant of patent or registration of a utility model or design. This document is the subject of copyright.
 Toute communication ou reproduction de ce document, toute exploitation ou communication de son contenu sont interdites, sauf autorisation expresse. Tout manquement a cette regle constitue un abus evident et expose son auteur au versement de dommages et interets. Tous droits de proprieete industrielle reserves, notamment en matiere de brevets et de modesles.
 Weitergabe sowie Vervielfaeltigung dieser Unterlagen, Verleihen und Mitteilen ihres Inhalts nicht gestattet, soweit nicht ausdru cklich ansonstern, wiederholend, stellen eine offensichtliche Missbrauch dar und verpflichten zu Schadenersatz. Alle Rechte fuer den Fall der Patenterteilung oder Gebrauchsmuster-Eintragung vorbehalten.