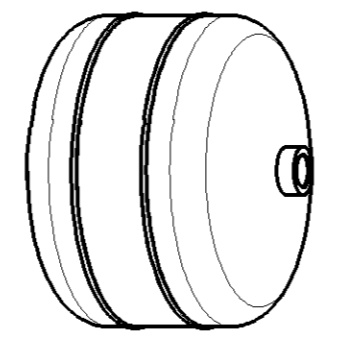
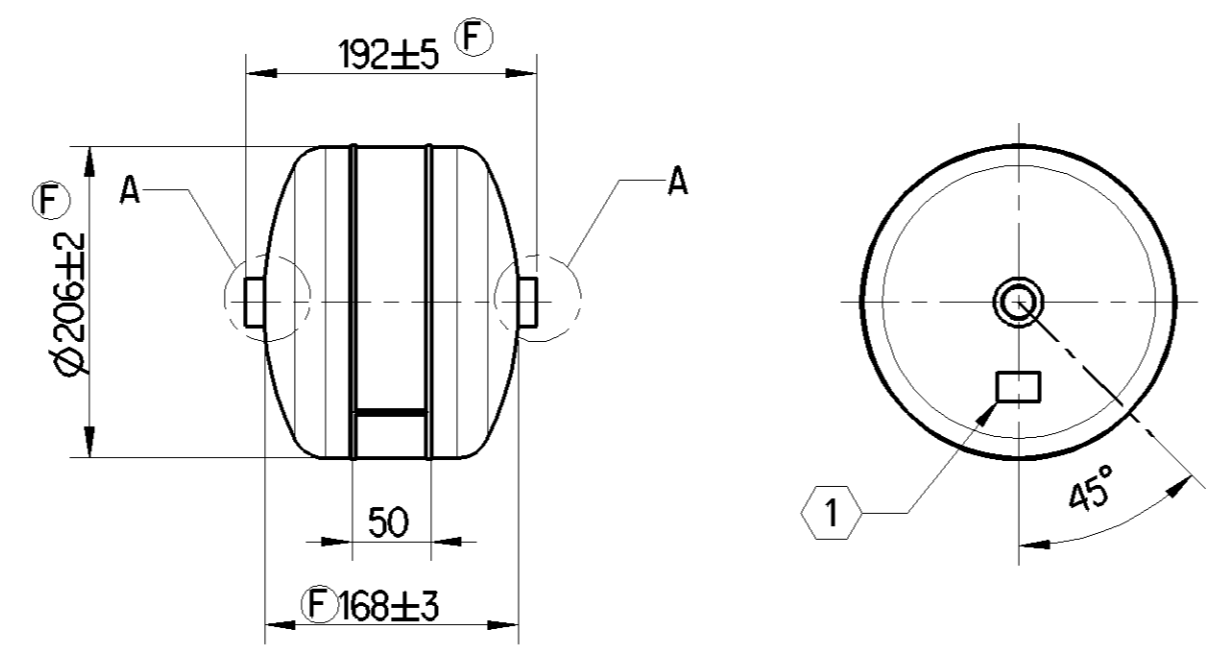
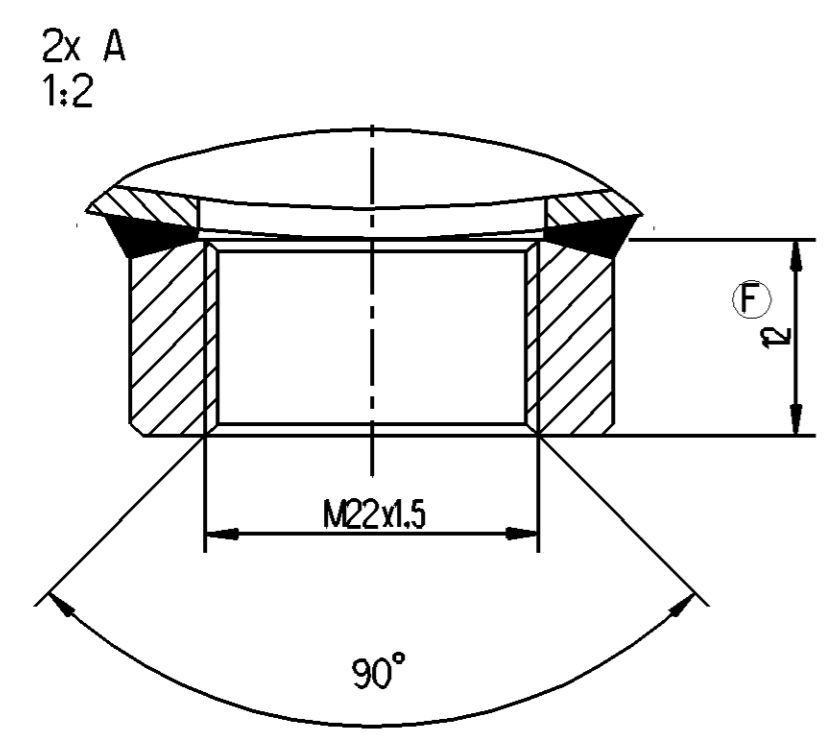


A  
B



VOLUME: VOLUMEN: VOLUME: VOLUME:		4.25 L
WORKING PRESSURE: BETRIEBSDRUCK: PRESSION D'UTILISATION: PRESSIONE DI LAVORO:	Ps	15.5 BAR
TEMPERATURE RANGE: TEMPERATURBEREICH: PLAGE DE TEMPERATURES: CAMPO DI TEMPERATURA:	MIN/MAX	-50/100 °C
MATERIAL: WERKSTOFF: MATIERE: MATERIALE:		STEEL STAHL ACIER ACCIAIO
SURFACE PROTECTION/COLOR: OBERFLACHENSCHUTZ/FARBE: PROTECTION DE SURFACE/COULEUR: PROTEZIONE SUPERFICI/COLORE:		PAINT/BLACK LACK/SCHWARZ PEINTURE/NOIR VERNICE/NERO

A  
B

C

D

E

F

G

H

Non e permesso copiare, o terzi o riprodurre questo documento, ne utilizzare il contenuto o renderlo comunque noto o terzi senza autorizzazione esplicita. Ogni infrazione costituisce un evidente abuso e comportera il risarcimento dei danni subiti. E' fatta riserva di tutti i diritti derivanti da brevetti o modelli.  
 Copying of this document and giving it to others and the use or communication of the contents thereof, are forbidden without express authority. Contrivention of this restriction will constitute an evident abuse and result in a liability to the payment of damages. All rights are reserved in the event of the grant of patent or registration of a utility model or design. This document is the subject of copyright.

Toute communication ou reproduction de ce document, toute exploitation ou communication de son contenu sont interdites, sauf autorisation expresse. Tout manquement a cette regle constitue un abus evident et expose son auteur au versement de dommages et interests. Tous droits de proprieete industrielle reserves, notamment en matiere de brevets et de modeles.  
 Weitergabe sowie Vervielfältigung dieser Unterlagen, Vervielfältigen und Mitteilen ihres Inhalts nicht gestattet, soweit nicht ausdrücklich ansonsten, zuwiderlaufenden, schriftlichen Mitteilungen, Missbrauch der und verpflichten zu Schadensersatz. Alle Rechte für den Fall der Patenterteilung oder Gebrauchsmuster-Eintragung vorbehalten.

(F) 1 IDENTIFICATION LABEL

(ACCORDING TO GENERAL SPECIFICATION EN 286-2)

General Specification: JED-334-1, Size ISO 14405 LP		Copyright WABCO®		<b>WABCO</b>		
Further Technical Data:		Date	Signature	AIR RESERVOIR		
Doc. Code:	Sheet:	To	Drawn	2021-06-12	Christosolomon D	Checked
General Tolerances JED-261		Checked		2021-06-12	Rohitkumar T	Expert
Range of Nominal Dimensions ( ± mm)		Schulz homeed				
Class 1)	≤ 50	> 50 ≤ 180	> 180 ≤ 400	> 400	±3°	
Fine	0.5	1.0	1.5	2.0		
Medium	1.0	2.0	3.0	4.0		
Coarse	2.0	3.5	5.0	6.5		
Tapped Holes acc.	JED-152		Mass	Scale	Material No.	Date of first issue: 2007-12-15
1) Tolerance Class Applied Crossmarked		(F) 2.7	KG	1:5	951 002 157 0	Doc.Code Language Sheet
		A 2	CREO	1:2	005 ML 1/1	
		ECN-No.		Revision	Techn. Resp.	Replacement for
		502042		6x F	5060	