

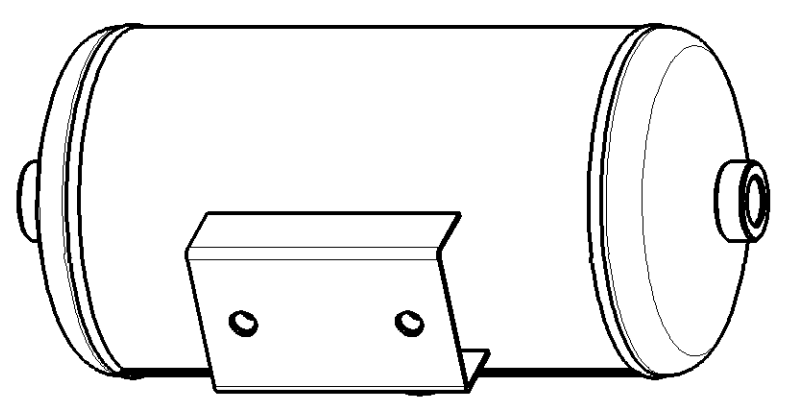
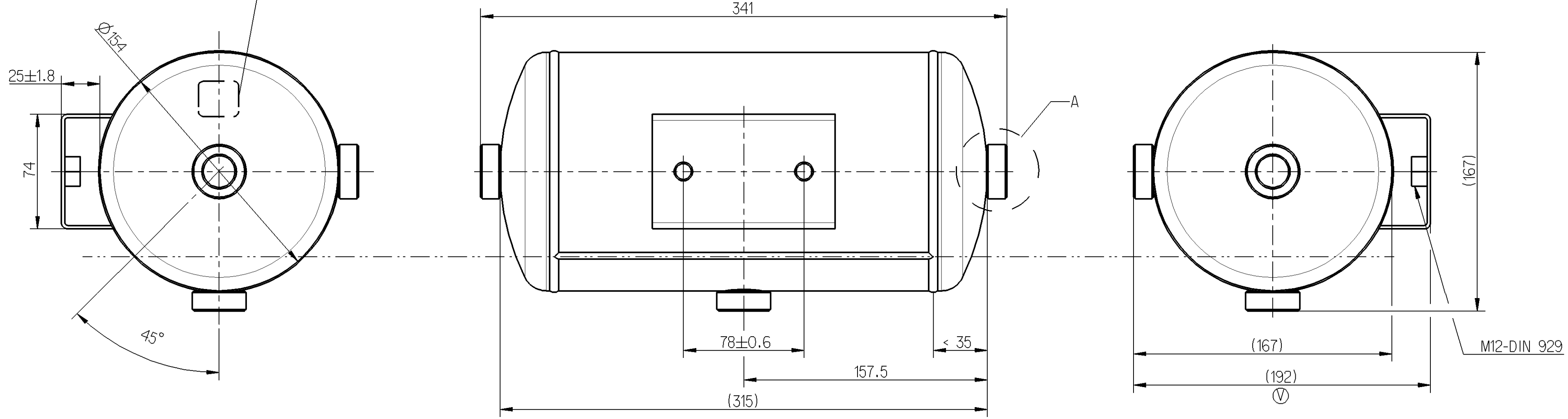
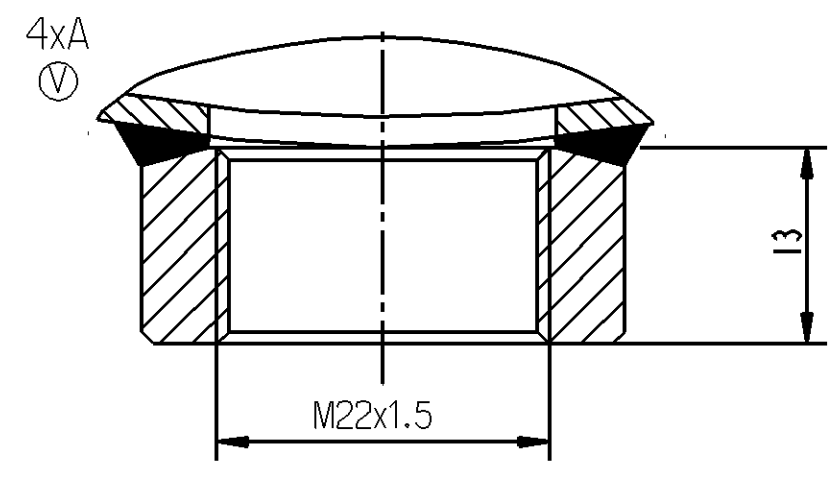
A
B

A
B

VOLUME: VOLUMEN: VOLUME: VOLUME:		5 L
WORKING PRESSURE: BETRIEBSDRUCK: PRESSION D'UTILISATION: PRESSIONE DI LAVORO:	Ps	20 BAR
TEMPERATURE RANGE: TEMPERATURBEREICH: PLAGE DE TEMPERATURES: CAMPO DI TEMPERATURA:	MIN/MAX	-50/100 °C
MATERIAL: WERKSTOFF: MATIERE: MATERIALE:		STEEL STAHL ACIER ACCIAIO
SURFACE PROTECTION/COLOR: OBERFLACHENSCHUTZ/FARBE: PROTECTION DE SURFACE/COULEUR: PROTEZIONE SUPERFICI/COLORE:		PAINT/BLACK LACK/SCHWARZ PEINTURE/NOIR VERNICE/NERO

IDENTIFICATION LABEL *

Type:	WABCO 950 105 001 0
Type:	
Serial:	
Tmin/max:	-50/100 °C
V:	5,0 L Ps: 20 bar
EN	286-2:1992
Year:	



Non è permesso consegnare o terzi o riprodurre questo documento, né utilizzare il contenuto o renderlo comunque noto a terzi senza permesso scritto dalla WABCO. È vietata espressamente la ristampa o l'uso non autorizzato di questo documento. E' fatto riserva di tutti i diritti, brevetti, marchi o modelli. Copying of this document and giving it to others and the use or communication of the contents thereof, are forbidden without express permission of the WABCO. This document is the property of WABCO and all rights are reserved in the event of the grant of patent or registration of a utility model or design. This document is the subject of copyright.

Tout le communication ou reproduction de ce document, toute exploitation ou communication de son contenu sont interdites, sauf autorisation expresse. Il est formellement interdit de divulguer ce contenu à des tiers sans la permission écrite de WABCO. Toute réimpression ou utilisation non autorisée sans la permission écrite de WABCO est formellement interdite. Toute réimpression ou utilisation non autorisée sans la permission écrite de WABCO est formellement interdite. Weitergabe sowie Vervielfältigung dieser Unterlagen, Verwertung und Mitteilung ihres Inhalts nicht gestattet, soweit nicht ausdrücklich zugelassen. Zuwiderhandlungen stellen einen strafrechtlichen Missbrauch dar und verpflichten zu Schadensersatz. Alle Rechte für den Fall der Patentierung oder Gebrauchsmuster-Eintragung vorbehalten.

* ACCORDING TO GENERAL SPECIFICATION (EN 286-2)

Ⓢ EXTERNAL SURFACE PROTECTION: 480h NSS test acc. DIN EN ISO 9227

General Specification: JED-334-0, EN-286-2		Copyright WABCO®		WABCO		
Further Technical Data:		Date	Signature	AIR RESERVOIR		
Doc. Code: Sheet: To		2013-07-24	Kopciuch	LUFTRBEHALTER		
General Tolerances JED-261		2013-07-25	Chamot	RESERVOIR D'AIR		
Class 1) Range of Nominal Dimensions (± mm)		Expert		SERBATOIO D'ARIA		
Fine	≤ 50 > 50 > 180 > 400	Kopciuch		Date of first issue: 2008-11-04		
Medium	1.0 2.0 3.0 4.0	M12		Doc. Code Language Sheet		
Coarse	2.0 3.5 5.0 6.5	Scale 1:2		005 ML 1/1		
Tapped Holes acc.		Material No. 950 105 001 0		ECN-No. Revision Techn. Resp. Replacement for		
1) Tolerance Class Applied Crossmarked		Size CAD System A 2 Pro/E		161964 3 x V 5060		