

CONNECTIONS
ANSCHLUESSE
ORIFICES
ORIFIZI

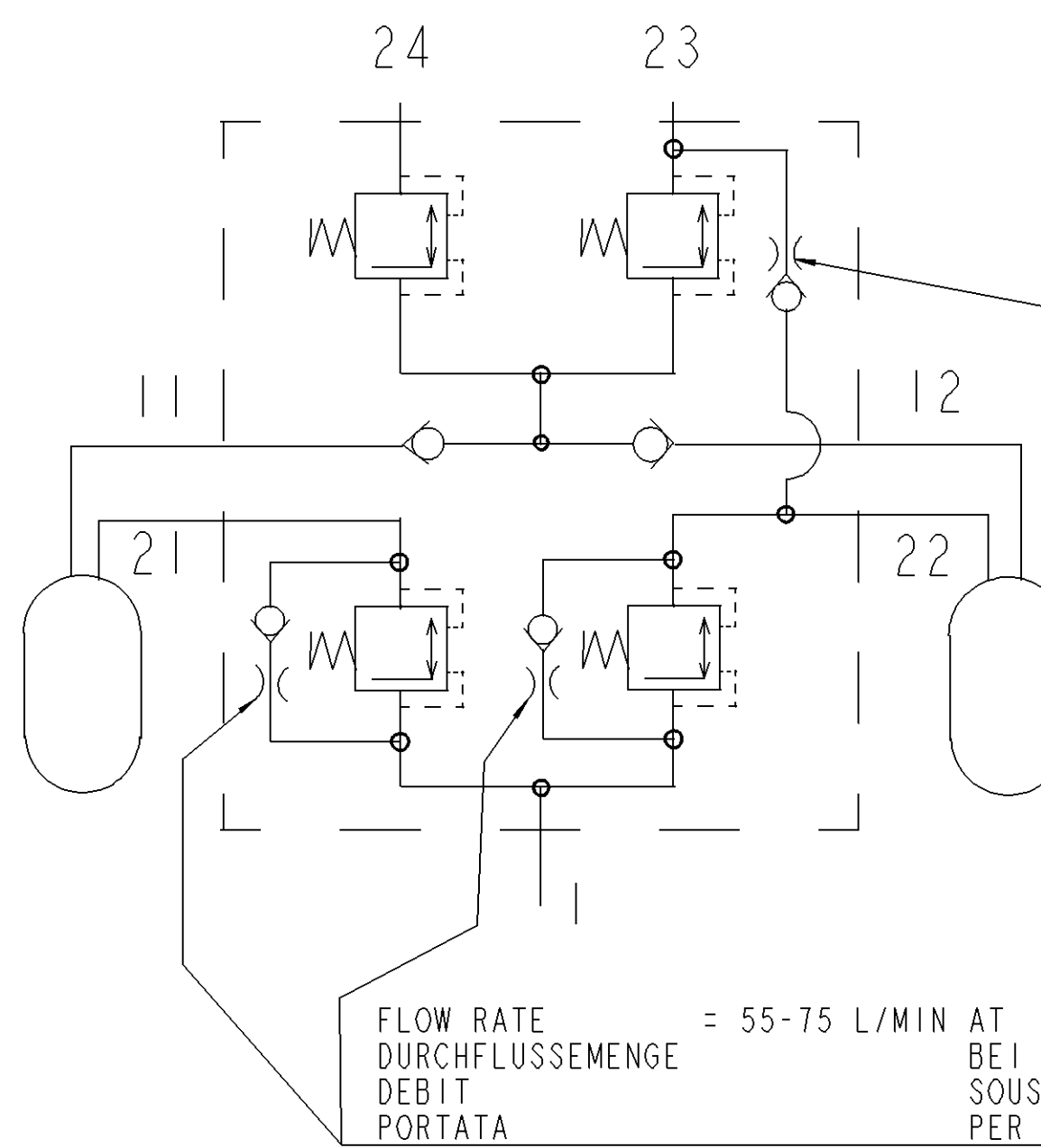
1, 11, 12 = SUPPLY
LUFTEINTRITT
ALIMENTATION
ALIMENTAZIONE

21= CIRCUIT 1
KREIS 1
CIRCUIT 1
CIRCUITO 1

22= CIRCUIT 2
KREIS 2
CIRCUIT 2
CIRCUITO 2

23= CIRCUIT 3
KREIS 3
CIRCUIT 3
CIRCUITO 3

24= CIRCUIT 4
KREIS 4
CIRCUIT 4
CIRCUITO 4



CORROSION PROTECTION
ALUMINIUM PARTS CHROMATED
TO JED 259
SCREWS MECHANICALLY ZINC
PLATED TO JED-256-1

KORROSIONSSCHUTZ
ALUMINIUMTEILE CHROMIERT
GEMASS JED 259
SCHRAUBEN MECHANISCH VERZINKT
GEMASS JED-256-1

PROTECTION ANTICORROSIVE
PIECES ALUMINIUM CHOMEES
POUR JED 259
VIS MECANIQUEMENT ZINGUEES
POUR JED-256-1

PROTEZIONE ANTICORROSIONE
PEZZI IN ALUMINIO CROMATI
PER JED 259
VITI MECCANICAMENTE ZINCATE E
PER JED-256-1

ADMISSIBLE TEMPERATURES
THERMISCHER ANWENDUNGSBEREICH
TEMPERATURE DE SERVICE
TEMPERATURA D'ESERCIZIO

= -45°C / +90°C

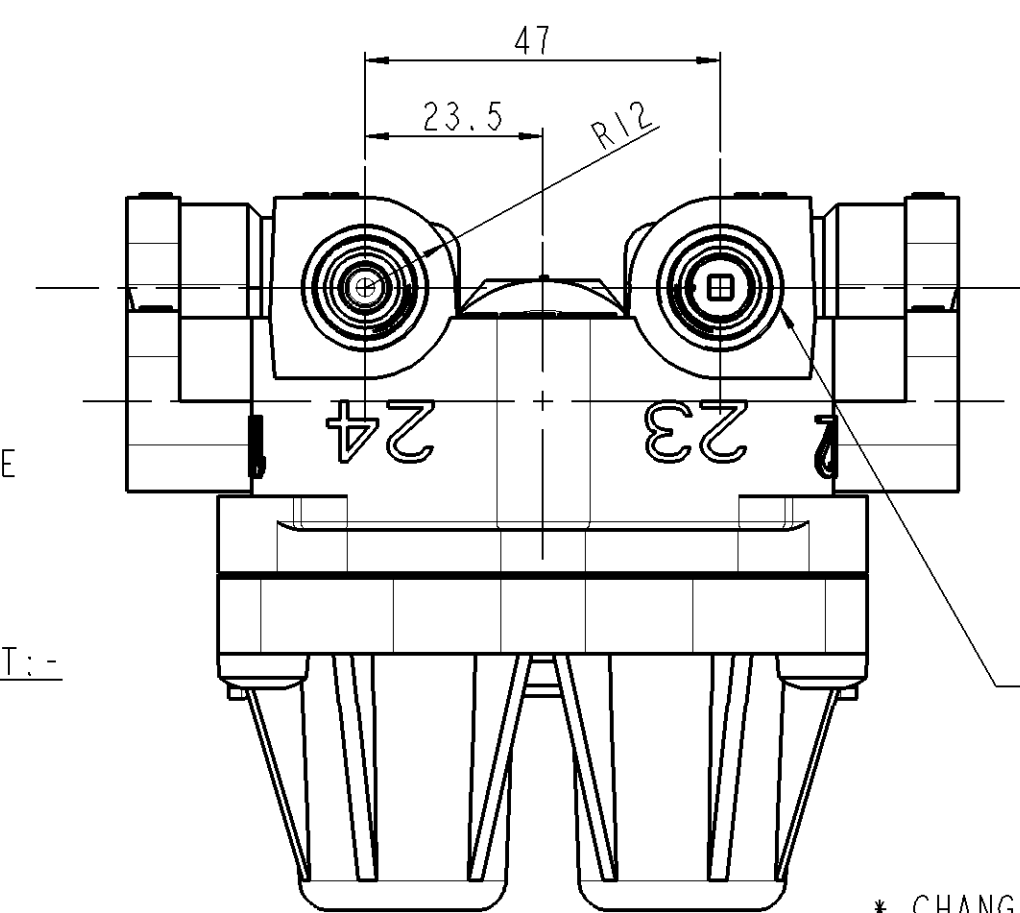
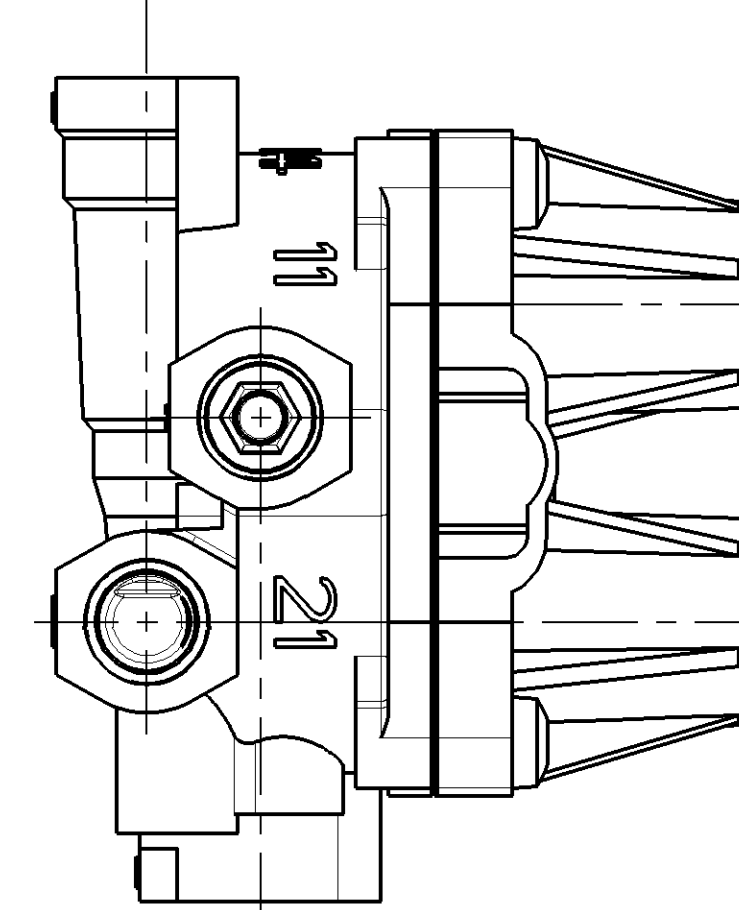
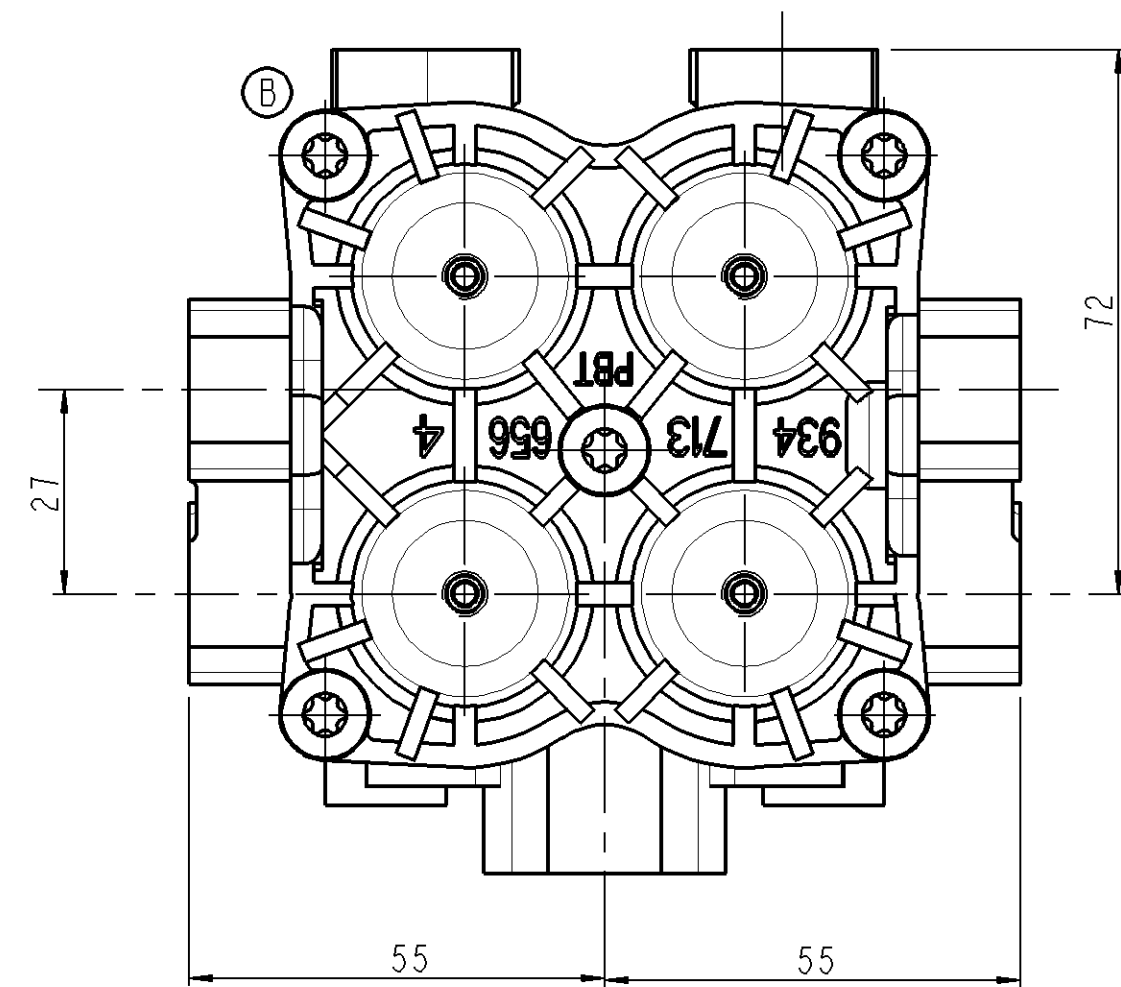
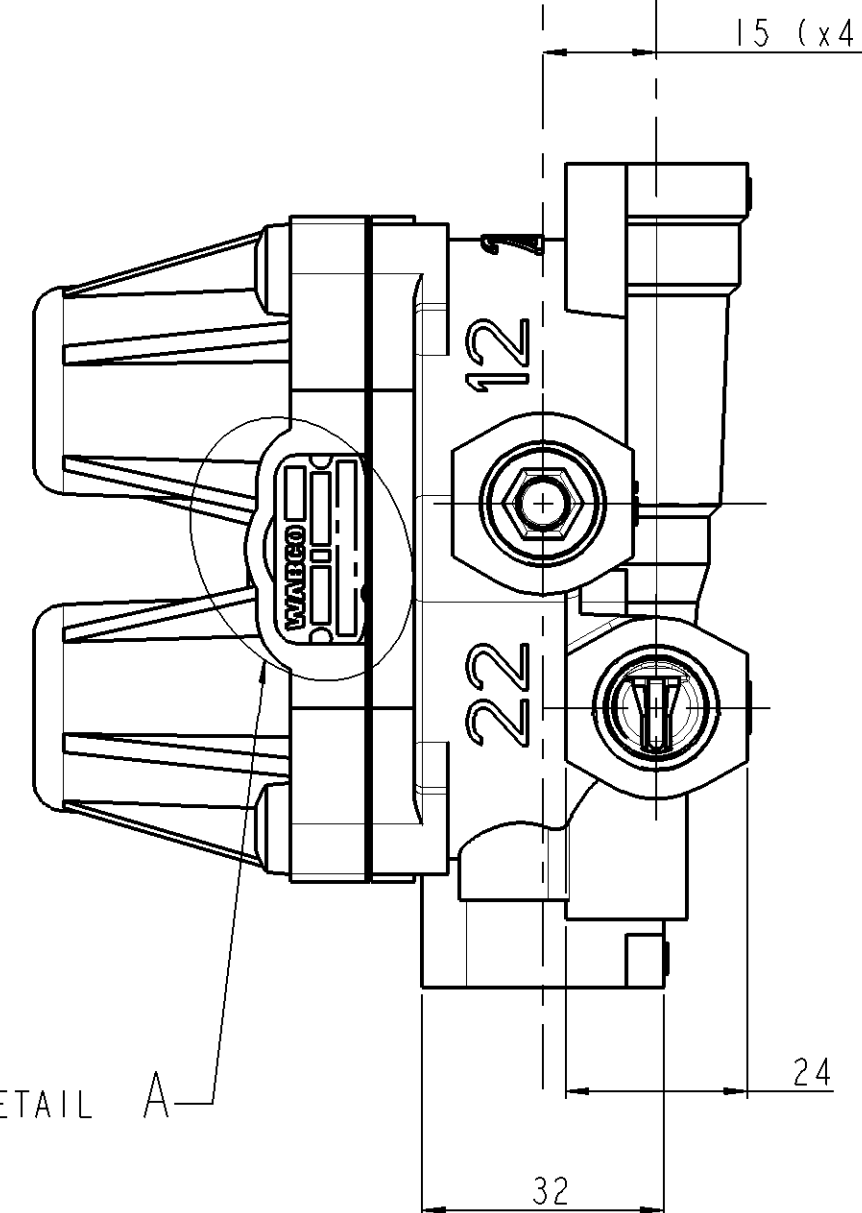
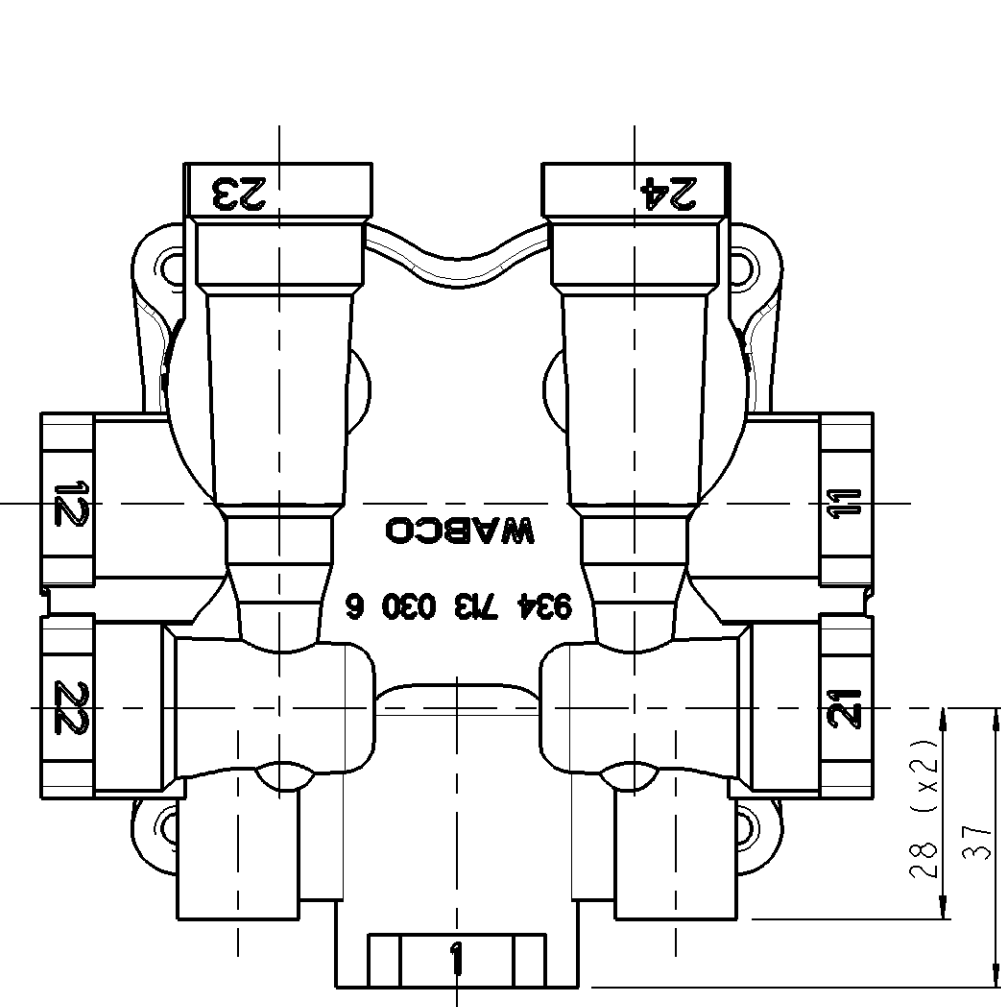
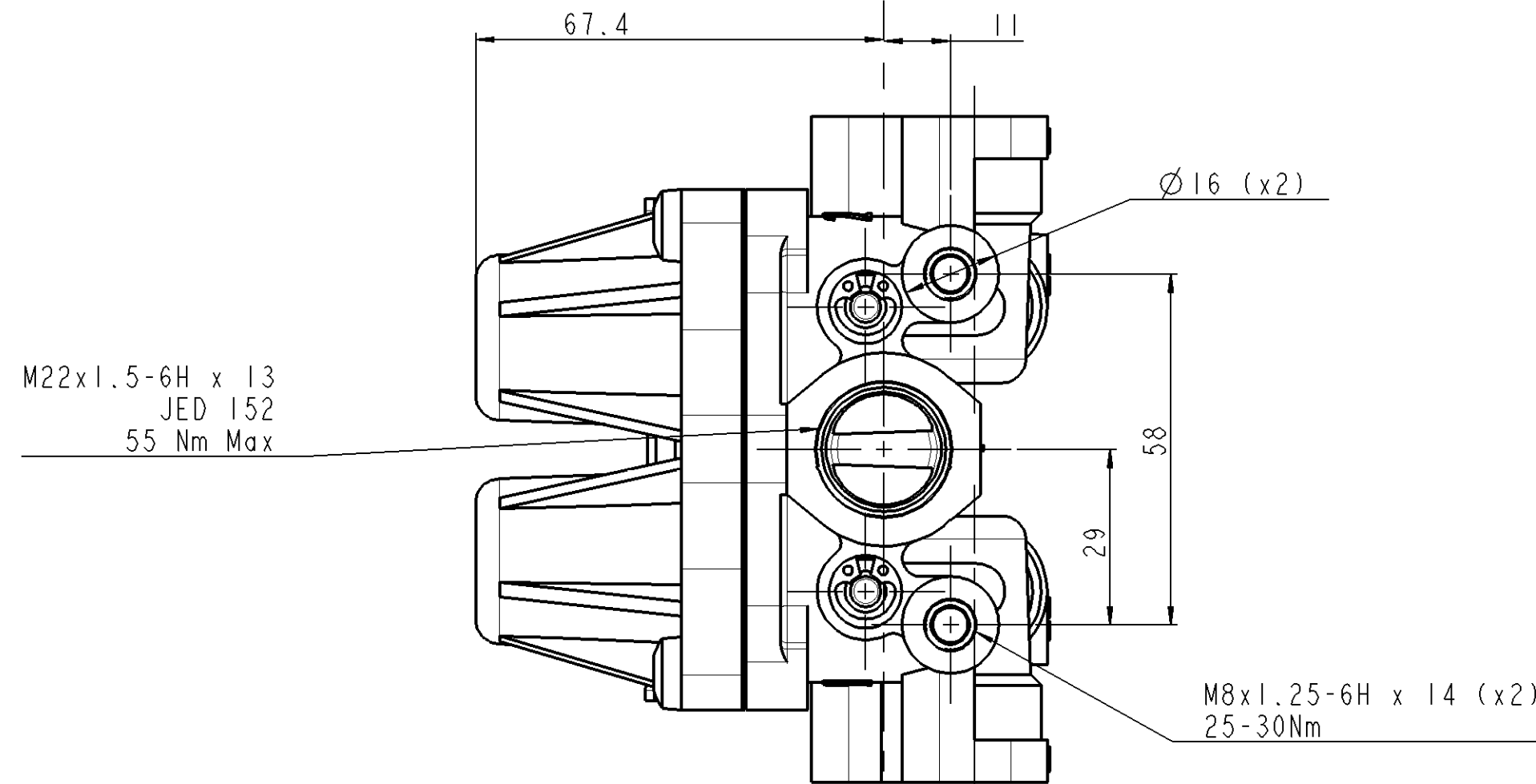
MEDIUM AIR
MILIEU LUFT
FLUIDO ARIA
FLUIDO ARIA

SERVICE PRESSURE
BETRIEBSDRUCK
PRESSION DE SERVICE
PRESSIONE D'ESERCIZIO

= 13 bar MAX

** 90 l/min
*** 20 l/min

CIRCUIT KRIES CIRCUIT CIRCUITO	21	22	23	24
OPENING PRESSURE (DYNAMIC) OEFFNUNGSDRUCK (DYNAMISCH) [BAR] PRESSION DE OUVERTURE (DYNAM) [PI] PRESSIONE DI CHIUSURA (DINAM)	** 6.3 +0		*** 5.8 +0	-0.3
CLOSING PRESSURE STATIC AT FAILURE OF CIRCUIT..... (BAR)	0	≥ 4	≥ 5.5	≥ 5.5
SCHLISSDRUCK STATISCH BEI AUSFALL VON KRIES....	≥ 4	0	*	≥ 4
PRESSION DE FERMETURE STATIQUE EN CAS DE DEFAILLANCE DU CIRCUIT....	≥ 4	≥ 4	0	≥ 4
PRESSIONE DI CHIUSURA STATICA IN CASO DI DIFETTO DEL CIRCUITO....	≥ 4	≥ 4	≥ 4	0



LABEL MARKED WITH :-
2. PRODUCTION PLANT
3. DATE OF MANUFACTURE
4. BLANK
5. REVISION LEVEL
6. PART NUMBER

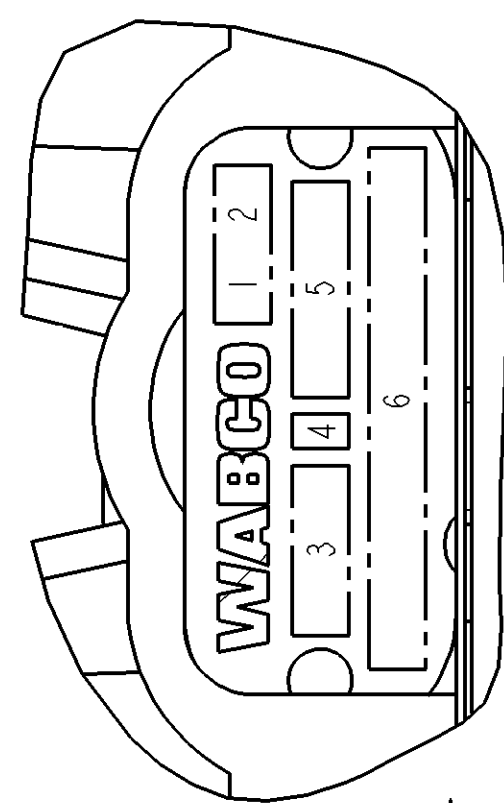
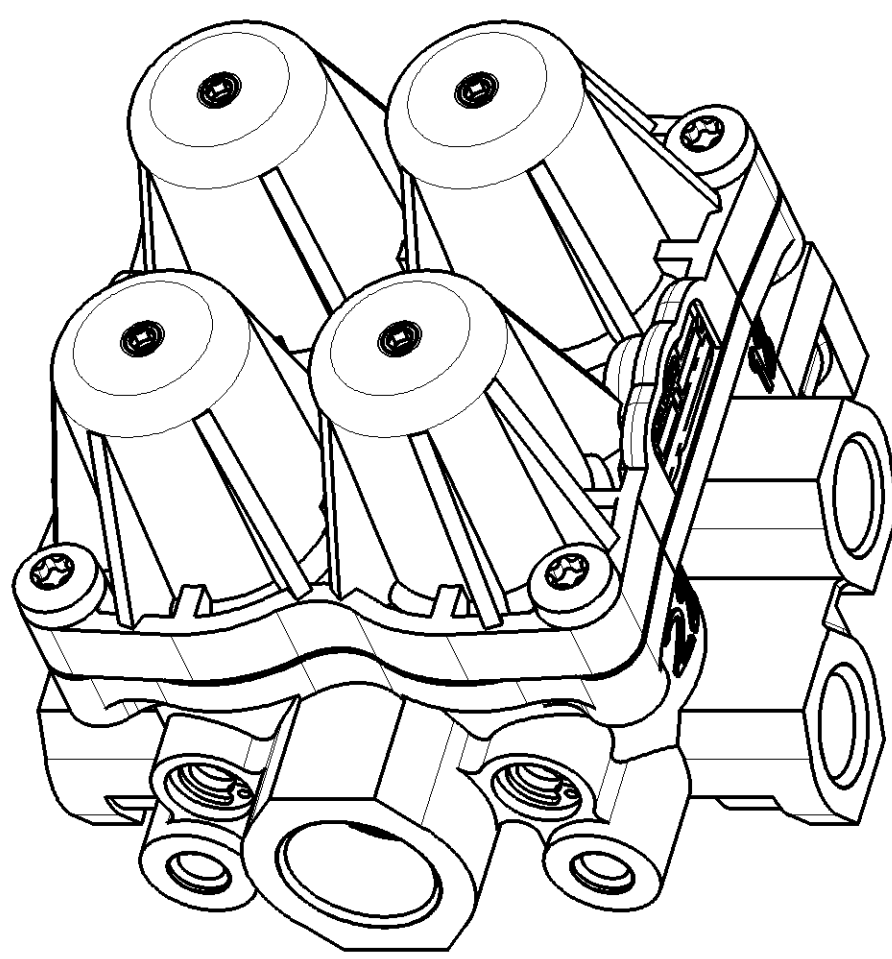
SCHILD MIT AUFSCRIFT :-
2. FERTIGUNGSWERK
3. HERSTELLDATUM
4. LEERSTELLE
5. ANDERUNGSSTAND
6. TEILE NR.

ETIQUETTE COMPORTANT :-
2. USINE DE PRODUCTION
3. DATE DE FABRICATION
4. VIDE
5. NIVEAU DE REVISION
6. NO. DE PIECE

ETICHETTA CONTRASSEGNA CON :-
2. STABILIMENTO DI PRODUZIONE
3. DATA DI FABRICAZIONE
4. SPAZIO VUOTO
5. LIVELLO DI REVISIONE
6. PARTICOLARE NO.

* CHANGE CODE 606
AENDERUNGEN 606
MODIFICATIONS 606
MODIFICHE 606

PROTOTYPE WAS 884 703 907 0



DETAIL A
SCALE 3:1

General Specifications: JED-334-0		Copyright WABCO®		WABCO	
Further Technical Data:		Date	Drawn	Signature	
Doc. Code:	Sheet:	2012-01-13	Mozurkiewicz	QUADRUPLE CIRCUIT PROTECTION VALVE VIERKREIS - SCHUTZVENTIL	
General Tolerances JED-261		Checked:	2012-01-16	Czapiewski	VALVE DE PROTECTION LA 4 CIRCUITS VALVOLA DI PROTEZIONE LA 4 CIRCUITI
Range of Nominal Dimensions (± mm)		Expert		Material No. 934 714 740 0	
Class	1)	≤ 50	> 50 > 180	> 180 > 400	> 400
Fine		0,5	1,0	1,5	2,0
Medium	X	1,0	2,0	3,0	4,0
Coarse		2,0	3,5	5,0	6,5
Tapped Holes acc.:		M. Chamot		Date of first issue: 2007-10-09	
1) Tolerance Class Applied Crossmarked		Scale	1:1	Doc. Code	005 ML 1/1
		Size	Pro/E	Revision	1 x B
		ECN No.	152689	Techn. Resp.	5120
		100mm		Replacement for	