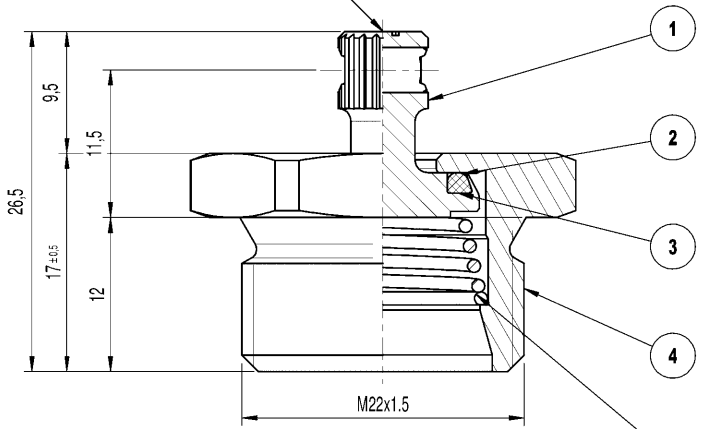
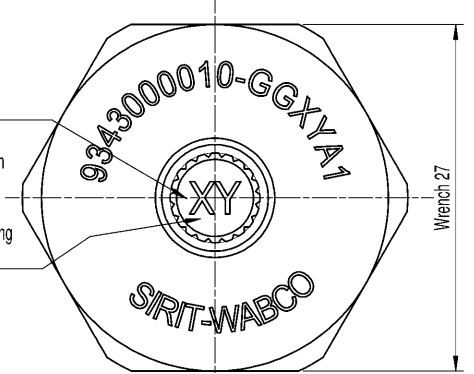


Forza orizzontale per azionare la valvola a 8 bar: circa 40N  
Horizontal pull force to open the valve at 8 bar: about 40N

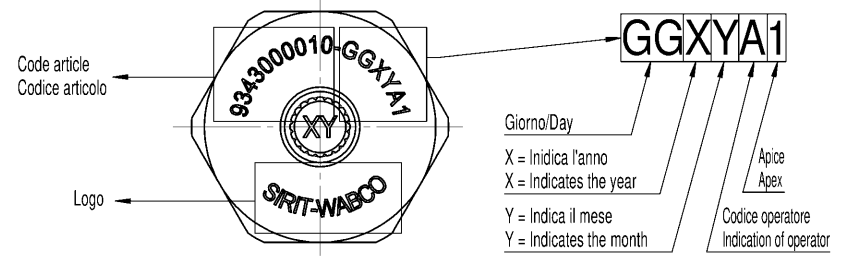


X = Indica l'anno  
X = Indicates the year  
Y = Indica il mese  
Y = Indicates the month

Timbro data cianofinatura perno con O-Ring secondo IVECO STD 10-0812  
Stamp date for caulking pin with O-Ring like IVECO STD 10-0812



Laser marking description



Coppia di serraggio	48 Nm + 5 Nm
Pressione di esercizio	Max 20 bar secondo SIRIT STD 12-0001
Temperatura di esercizio	Da -40°C A +80°C
Temperatura di prova	20°C; -40°C, 80°C Secondo SIRIT STD.12-0001
Pressione di prova	25 bar
Mezzo di prova	Aria

Tightening torque	48 Nm + 5 Nm
Working pressure	Max. 20 bar according to SIRIT STD 12-0001
Working Temperature	From -40°C to +80°C
Test temperature	20°C; -40°C; 80°C according to SIRIT STD.12-0001
Test pressure	25 bar
Test mean	Air

Parte n°.	Descrizione	Materiale	QTA
1	Perno	CW614 N	1
2	O-ring Ø10x2	NBR	1
3	Strato adesivo	Loctite 480	1
4	Corpo Valvola	CW614 N	1
5	Molla	AISI 302 (1.4310)	1

Part n°.	Description	Material	QTA
1	Pin (normalized at temperature of 360°C for 2 hours)	CW 614 N	1
2	O-Ring Ø10x2	NBR	1
3	Layer of glue	Loctite 480	1
4	Body	CW 614 N	1
5	Spring	AISI 302 (1.4310) Steel	1

Dimension without tolerance Din iso 2768 M/mf		
to 6	from 6 to 30	from 30 to 120
±0.1	±0.2	±0.3

<b>C</b>	<b>New type of laser marking</b>	<b>17/05/17</b>	<b>B.C.</b>
<b>B</b>	<b>Added layer of glue</b>	<b>07/07/14</b>	<b>B.C.</b>
<b>A</b>	<b>Emission drawing</b>	<b>19/12/13</b>	<b>B.C.</b>
Apice	Modifica	Data	Pos. Firma
Rugosità generale:	Tolleranze angolari generali: ±1°	Concentricità generale: 0.2	
Criticità quota secondo IO 002	Tolleranze generali lav.: DIN ISO 2768-m	Tolleranze generale stamp.: -	
Disegnato: B.C.	Data: 19/12/13	Controllato: B.C.	Data: 10/02/14
Cod. complessivo:	Cod. stampato:	Scala: 3:1/2:1	Formato: A3
Materiale:	Tratt. termico/galvanico: -		
Cliente: Wabco	Dis. cliente:	Codice Tosi:	Peso: 0,04 kg
<b>TOSI FII</b> Produzione Minerarie Metalliche 13019 VALRUBO, SESSA (VC)	Denominazione: Drain valve	File dwg: 934 300 001 0	Apice C <b>SIRIT</b> AIR BRAKE FITTINGS RAILWAY DIVISION

General Specifications: JED-334-1, Size ISO 14405 LP		Copyright WABCO®				
Further Technical Data: Product Specification		Date	Signature			
Doc. Code: C35		2017-11-21	Cwickalski			
Sheets: 1 To 2 3 4		Checked	Chamot			
General Tolerances JED-261		2018-01-18	Expert			
Range of Nominal Dimensions ( ± mm)		Mass	Scale			
Class 1)	< 50	0.04	-			
	> 50 < 180	MG	-			
	> 180 < 400					
	> 400					
Fine	0.5	1.0	1.5	2.0	±3°	
Medium	1.0	2.0	3.0	4.0		
Coarse	2.0	3.5	5.0	6.5		
Tapped Holes acc.						
1) Tolerance Class Applied Crossmarked		Size	CAD System			
		A 2	CREO			
		EDN No.	Revision	Techn. Resp.	Material No.	Date of first issue: 2009-12-16
		175896	1 x J	5080	934 300 001 0	Doc. Code Language Sheet
						005 EN 1/1
						Replacement for

Non è permesso copiare o riprodurre questo documento, né utilizzare il contenuto o renderlo comunque noto a terzi.  
 It is not permitted to copy or reproduce this document, nor to use its content or make it known to third parties.  
 Toute communication ou reproduction de ce document, sans autorisation ou communication de son contenu sans autorisation, est formellement interdite.  
 All rights reserved. Copying or reproduction of this document without express authority. Communication of the content of this document without express authority.

Tutti i diritti sono riservati - Copyright all right reserved  
 All rights reserved - Copyright all right reserved  
 Alle Rechte für den Fall der Patentierung oder Gebrauchsmuster-Eintragung vorbehalten.  
 All rights reserved for the case of patenting or registration of a utility model or design. This document is the subject of copyright.