

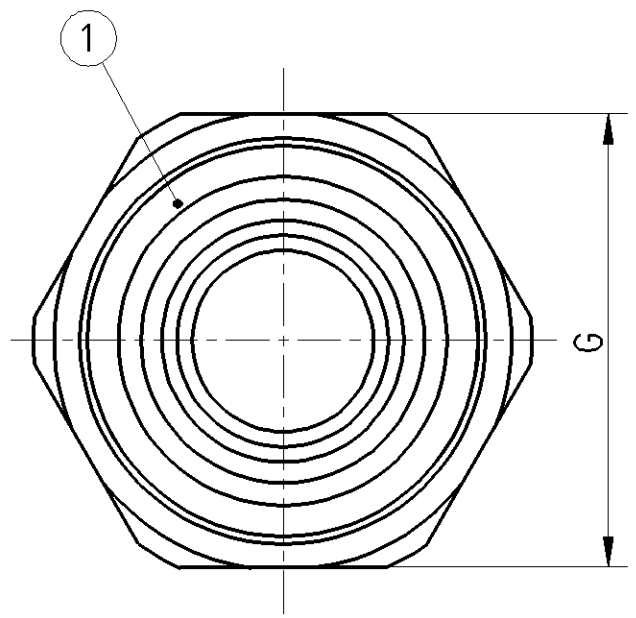
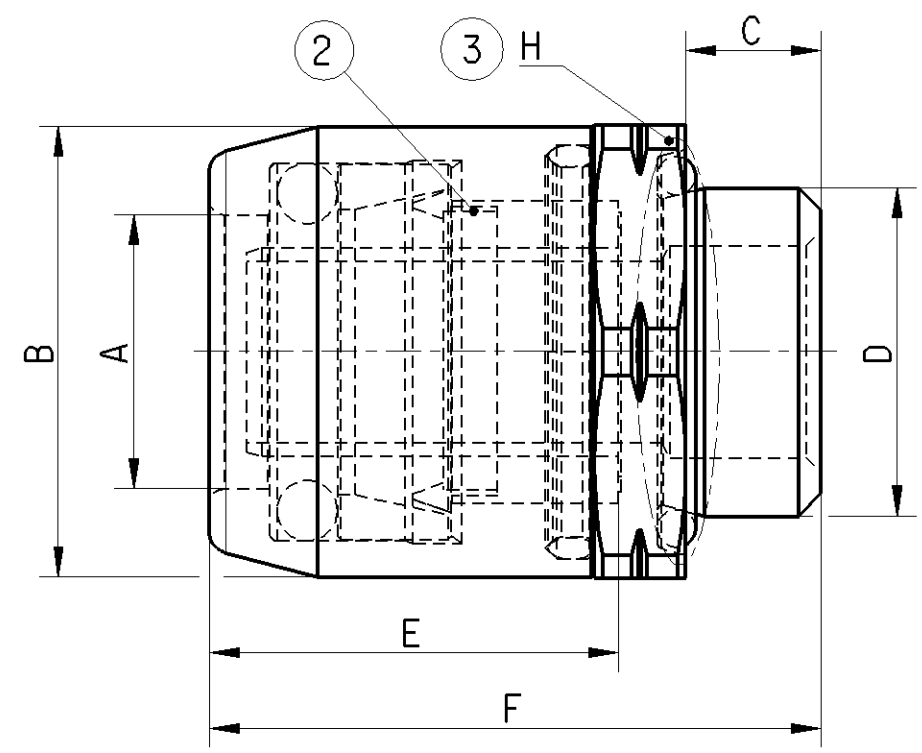
Non e permesso consegnare a terzi o riprodurre questo documento, ne utilizzare il contenuto o renderlo comunque noto a terzi senza autorizzazione esplicita. Ogni infrazione costituira un evidente abuso e comportera il risarcimento dei danni subiti. E' fatta riserva di tutti i diritti derivanti da brevetti o modelli.

Toute communication ou reproduction de ce document, toute exploitation ou communication de son contenu sont interdites, sauf autorisation expresse. Tout manquement a cette regle constitue un abus evident et expose son auteur au versement de dommages et interets. Tous droits de propriete industrielle reserves, notamment en matiere de brevets et de modesles.

Copying of this document and giving it to others and the use or communication of the contents thereof, are forbidden without express authority. Contention of this restriction will constitute an evident abuse and result in a liability to the payment of damages. All rights are reserved in the event of the grant of patent or registration of a utility model or design. This document is the subject of copyright.

Weitergabe sowie Vervielfaeligung dieser Unterlage, Verwertung und Mitteilung ihres Inhalts nicht gestattet, soweit nicht ausdruecklich zugestanden. Zuwiderhandlungen stellen einen offensichtlichlichen Missbrauch dar und verpflichten zu Schadensersatz. Alle Rechte fuer den Fall der Patentierung oder Gebrauchsmuster-Eintragung vorbehalten.

1	2	3	4	5	6	7	8
A	B	C	D	E	F	G	H
for Tube $\varnothing 18 \times 2$	$\varnothing 30$	9	M22x1.5 tightening torque: 34 Nm (40 Nm)	27 Push in length	40.5	Hex.30	with O-ring



Cleanliness requirement:

No particles >1mm allowed acc. to mandatory standard: JED-334 and JED-593

Area: for the whole part (Special agreements possible; to be agreed with Product Engineering)

Material:

- ① CuZn
- ② CuZn/EPDM (inner components)
- ③ EPDM

General Specification : JED-762 ; JED-622 ; JED-271 ; JED-220

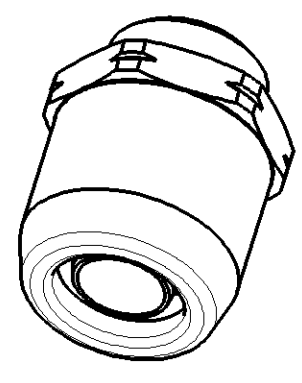
Engineering related agreements with Supplier have to be mentioned in the "Release of Supplier"

For use in application in air brake system in commercial vehicles :

- with compressed air acc. JED-848

- at working conditions:

- -40 °C ... 100 °C
- max. 12,5 bar



General Specification: JED-334-1, Size ISO 14405 LP				Copyright WABCO®		WABCO		
Further Technical Data:				Date	Signature			
Doc. Code:		Sheet:		To		Push-in coupling		
General Tolerances JED-261				2015-12-04	Szczutkowski			
Range of Nominal Dimensions (± mm)				Checked		Date of first issue: 2015-12-04		
Class 1) ≤ 50 > 50 ≤ 180 > 180 ≤ 400 > 400				2015-12-04				
Fine X				Expert		Material No. 893 803 013 0		
Medium				Kaufmann				
Coarse				Mass 0.120 KG		Language EN		
Tapped Holes acc. JED-152				Scale 2:1 (1:1)		Sheet 1/1		
1) Tolerance Class Applied Crossmarked				Size A 3		Techn. Resp. 5790		
				CAD System CREO		Revision -		
				ECN-No. -		Replacement for		