

Non e permesso consegnare a terzi o riprodurre questo documento, ne utilizzare il contenuto o renderlo comunque noto a terzi senza autorizzazione esplicita. Ogni infrazione costituirà un evidente abuso e comporterà il risarcimento dei danni subiti. E' fatto riserva di tutti i diritti derivanti da brevetti o modelli.

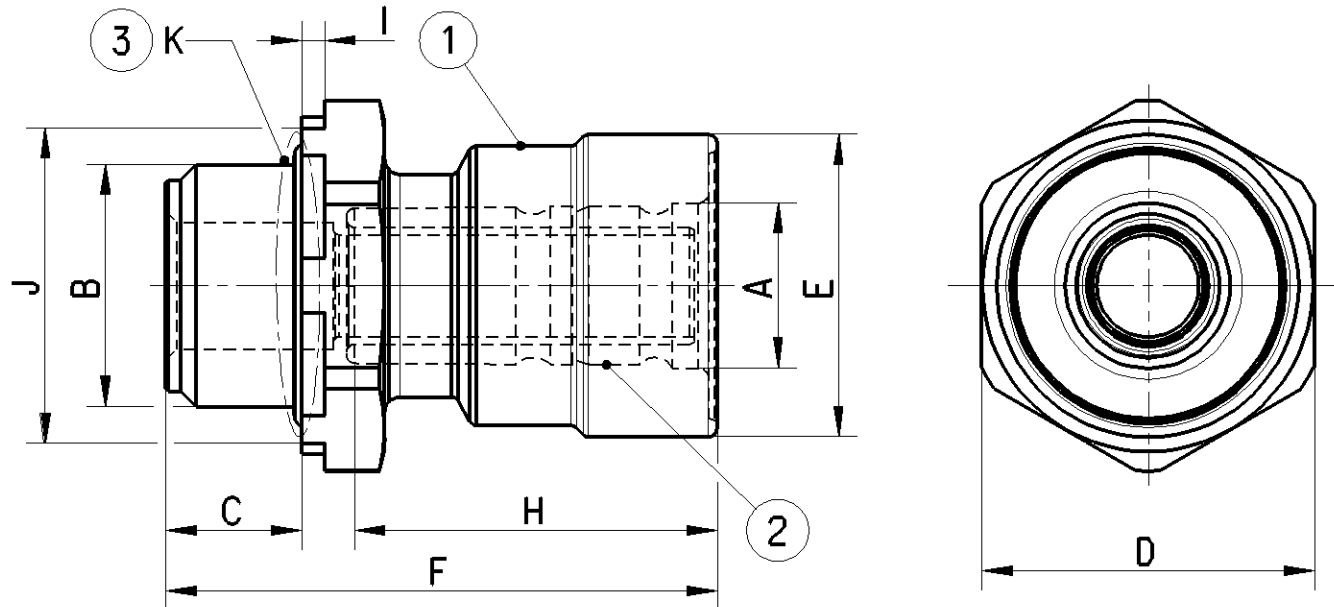
Man e permesso consegnare a terzi o riprodurre questo documento, ne utilizzare il contenuto o renderlo comunque noto a terzi senza autorizzazione esplicita. Ogni infrazione costituirà un evidente abuso e comporterà il risarcimento dei danni subiti. E' fatto riserva di tutti i diritti derivanti da brevetti o modelli.

Toute communication ou reproduction de ce document, toute exploitation ou communication de son contenu sont interdites, sauf autorisation expresse. Toute manquement a cette regle constitue un abus evident et expose son auteur au versement de dommages et interets. Tous droits de propriete industrielle reserves, notamment en matiere de brevets et de modesles.

Weitergabe sowie Vervielfaeligung dieser Unterlage, Verwertung und Mitteilung ihres Inhalts nicht gestattet, soweit nicht ausdruecklich zugestanden. Zuwiderhandlungen stellen einen offensichtlichen Misbrauch dar und verpflichten zu Schadenersatz. Alle Rechte fuer den Fall der Patenterteilung oder Gebrauchsmuster-Eintragung vorbehalten.

1	2	3	4	5	6	7	8			
A	B	C	D	E	F	G	H	I	J	K
for Tube 10x1,0 new Line <CI>	M16x1,5	9	Hex.22	∅20	36,5	30Nm (35Nm)	(24) Push in length <CI>	1,5	∅22,3	with O-ring

G : recommended torque without lubrication (max. torque) respect max torque of counter part



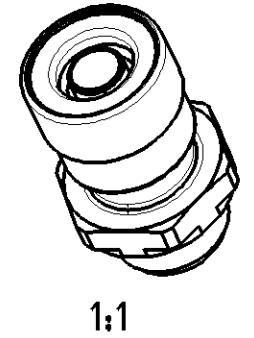
Cleanliness requirement:  
Class: KOO according JED-593  
Area: for the whole part (Special agreements possible; to be agreed with Product Engineering)

- Material:
- 1 CuZn
  - 2 PA (inner components)
  - 3 EPDM

General Specification : JED-762 ; JED-622 ; JED-220  
Engineering related agreements with Supplier have to be mentioned in the "Release of Supplier"

For use in application in compressed air systems in commercial vehicles :

- with Polyamid or Hytrel tubes acc. ISO7628; DIN74324, DIN73378
- with compressed air acc. JED-848
- at working conditions (consider tube spec.) :
  - -40 °C ... 60 °C
  - max. 12,5 bar



General Specification: JED-334-1, Size ISO 14405 LP		Copyright WABCO®		<b>WABCO</b>		
Further Technical Data:		Date	Signature			
Doc. Code:	Sheet:	To	Drawn		Screw-in Fitting	
General Tolerances JED-261			2019-11-28	Balago		
Range of Nominal Dimensions ( ± mm)			Checked			
			2019-12-11	Szczulkowski		
Class	1)	≤ 50	> 50 ≤ 180	> 180 ≤ 400	> 400	Expert
Fine	X	0.5	1.0	1.5	2.0	Szczulkowski
Medium		1.0	2.0	3.0	4.0	
Coarse		2.0	3.5	5.0	6.5	
Tapped Holes acc. -		Mass		Scale	Material No.	Date of first issue: 2011-06-22
1) Tolerance Class Applied Crossmarked		0.041 KG		2:1 1:1	893 800 009 2	Doc.Code Language Sheet
		Size		CAD System	005 EN 1/1	
		A 3		CREO	ECN-No.	Revision Techn. Resp.
					502571	2 x D 5790
					Replacement for	

