

Non e permesso consegnare a terzi o riprodurre questo documento, ne utilizzare il contenuto o renderlo comunque noto a terzi senza autorizzazione esplicita. Ogni infrazione costituira un evidente abuso e comportera il risarcimento dei danni subiti. E' fatto riserva di tutti i diritti derivanti da brevetti o modelli.

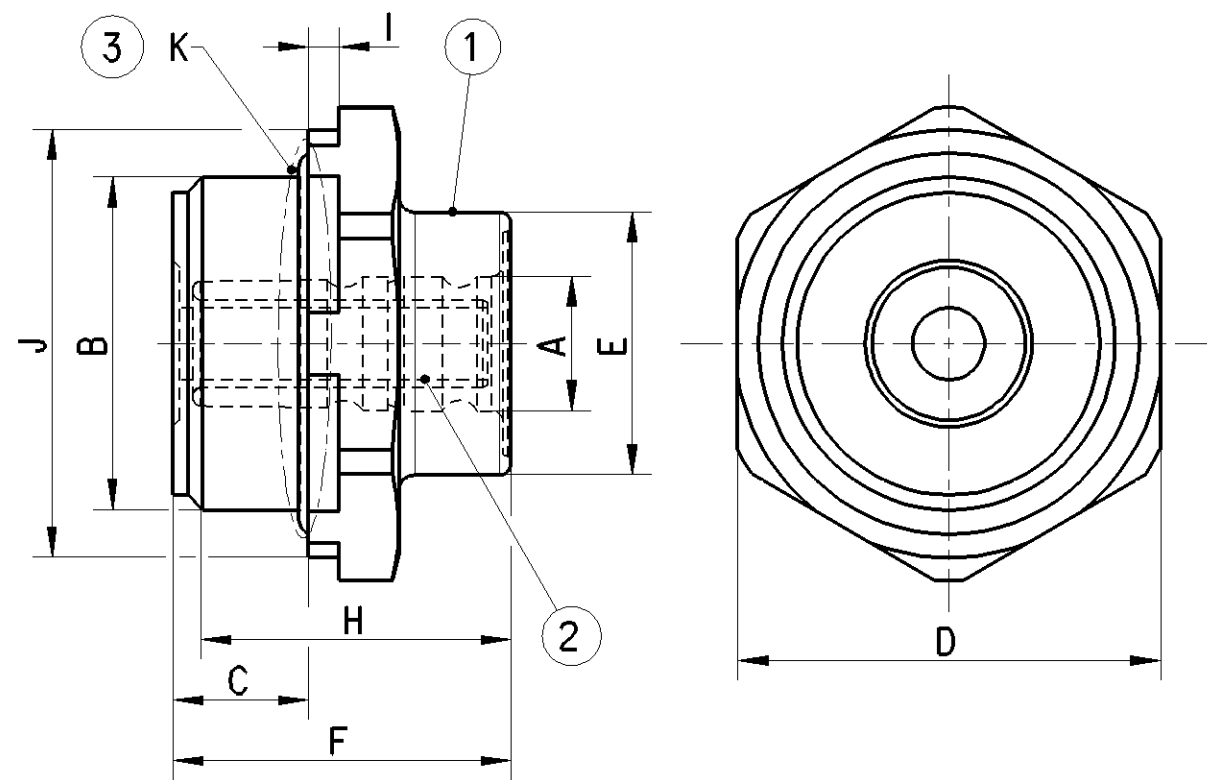
Copying of this document and giving it to others and the use or communication of the contents thereof, are forbidden without express authority. Contravention of this restriction will constitute an evident abuse and result in a liability to the payment of damages. All rights are reserved in the event of the grant of patent or registration of a utility model or design. This document is the subject of copyright.

Toute communication ou reproduction de ce document, toute exploitation ou communication de son contenu sont interdites, sauf autorisation expresse. Tout manquement a cette regle constitue un abus evident et expose son auteur au versement de dommages et interets. Tous droits de propriete industrielle reserves, notamment en matiere de brevets et de modesles.

Weitergabe sowie Vervielfaeligung dieses Unterlage, Verwertung und Mitteilung ihres Inhalts nicht gestattet, soweit nicht ausdruecklich zugestanden. Zuwiderhandlungen stellen einen offensichtlichlichen Missbrauch dar und verpflichten zu Schadenersatz. Alle Rechte fuer den Fall der Patenterteilung oder Gebrauchsmuster-Eintragung vorbehalten.

1	2	3	4	5	6	7	8			
A	B	C	D	E	F	G	H	I	J	K
for Tube 8x1,0 new Line <CI>	M22x1,5	9	Hex.28	Ø17,4	22,4	34Nm (40Nm)	(20,5) Push in length <CI>	2	Ø28,3	with O-ring

G : recommended torque without lubrication (max. torque) respect max torque of counter part



Cleanliness requirement:

Class: K00 according JED-593

Area: for the whole part (Special agreements possible; to be agreed with Product Engineering)

Material:

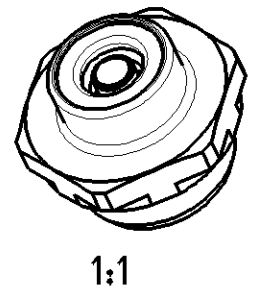
- ① CuZn
- ② PA (inner components)
- ③ EPDM

General Specification : JED-762 ; JED-622 ; JED-220

Engineering related agreements with Supplier have to be mentioned in the "Release of Supplier"

For use in application in compressed air systems in commercial vehicles :

- with Polyamid or Hytrel tubes acc. ISO7628; DIN74324, DIN73378
- with compressed air acc. JED-848
- at working conditions (consider tube spec.) :
 - -40 °C ... 100 °C
 - max. 12,5 bar



General Specification: JED-334-1, Size ISO 14405 LP		Copyright WABCO®		WABCO		
Further Technical Data:		Date	Signature			
Doc. Code:	Sheet:	To	Drawn	Fitting		
General Tolerances			2019-11-28			Balago
Range of Nominal Dimensions (± mm)			Checked	2019-12-11 Szczulkowski		
Class	1)	≤ 50	> 50 ≤ 180	> 180 ≤ 400	> 400	Expert
Fine	X	0.5	1.0	1.5	2.0	Szczulkowski
Medium		1.0	2.0	3.0	4.0	Mass
Coarse		2.0	3.5	5.0	6.5	Scale
Tapped Holes acc. -			Material No.		Date of first issue: 2006-12-14	
1) Tolerance Class Applied Crossmarked			0.052 KG		Doc.Code	
			2:1		Language	
			1:1		Sheet	
			Size		893 800 005 2	
			CAD System		005 EN 1/1	
			A 3 CREO		ECN-No.	
			502571		Revision	
			2 x B		Techn. Resp.	
			5790		Replacement for	

