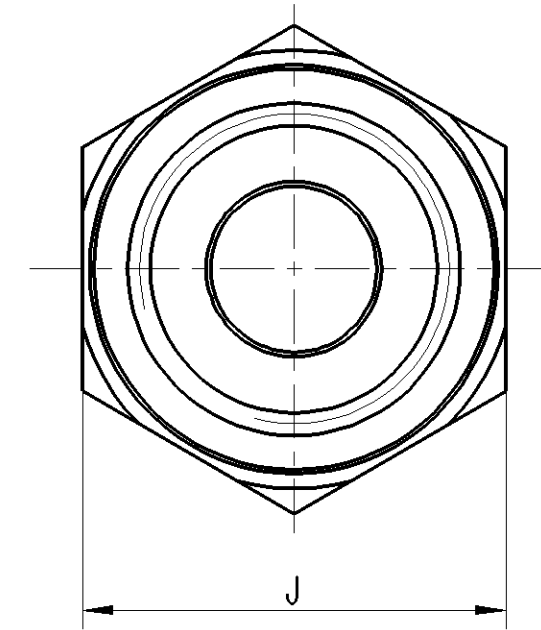
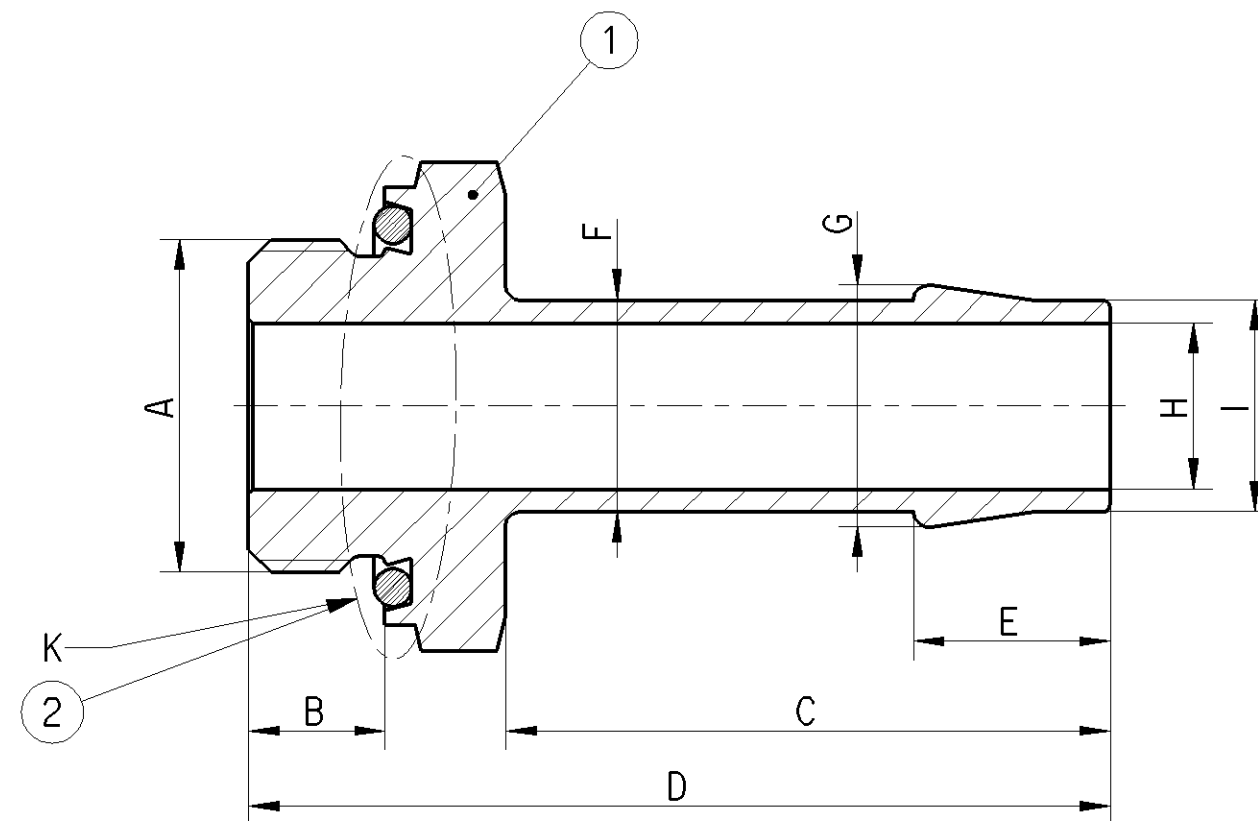


PART NUMBER	A	B	C	D	E	F	G	H	I	J	K	L	WEIGHT / KG
893 129 401 2	M16x1.5	9	40	57	11	∅12	∅13	∅9	∅12	Hex.22	WITH O-RING	30Nm (35Nm)	0.046
893 129 402 2	M22x1.5	9	40	57	11	∅12	∅13	∅9	∅12	Hex.28	WITH O-RING	34Nm (40Nm)	0.072
893 129 403 2	M16x1.5	9	40	57	13	∅14	∅16	∅9.5	∅14	Hex.22	WITH O-RING	30Nm (35Nm)	0.056
893 129 404 2	M22x1.5	9	40	57	13	∅14	∅16	∅11	∅14	Hex.28	WITH O-RING	34Nm (40Nm)	0.071

L: RECOMMENDED TORQUE (MAX. TORQUE) IN RESPECT OF MAX. TORQUE OF COUNTER PART



CLEANLINESS REQUIREMENT:  
NO PARTICLES >1mm ALLOWAD ACC. TO MANDATORY STANDARD: JED-334 AND JED-593

DIMENSIONS SIMILAR TO DIN 74304 - ACC. TO DIN 74325

MATERIAL:

- ① STEEL
- ② EPDM

SUITABLE FOR USE IN AIR BRAKE SYSTEMS FOR COMMERCIAL VEHICLES

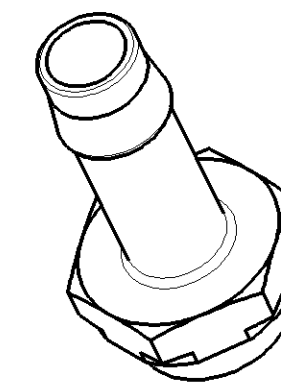
SURFACE PROTECTION: JED-739-3

GENERAL SPECIFICATION : JED-762 ; JED-622 ; JED-271 ; JED-220

ENGINEERING RELATED AGREEMENTS WITH SUPPLIER  
HAVE TO BE MENTIONED IN THE "RELEASE OF SUPPLIER"

WORKING MEDIUM: COMPRESSED AIR ACC. TO JED-848  
WORKING TEMPERATURE: -40°C...100°C  
WORKING PRESSURE: 1000 kPa (10 bar) ACC. TO DIN 74325  
HOSE REQUIREMENTS TO BE CONSIDERED

1:1



General Specification: JED-334-1, Size ISO 14405 LP				Copyright WABCO®		<b>WABCO</b>		
Further Technical Data:				Date	Signature	Hose Stud		
Doc. Code:		Sheet:		2015-04-24		Nerling		
General Tolerances JED-261				Checked				
Range of Nominal Dimensions ( ± mm)				2015-04-24		Kaufmann		
Class	1)	≤ 50	> 50 ≤ 180	> 180 ≤ 400	> 400	Expert		
Fine	X	0.5	1.0	1.5	2.0	Kaufmann		
Medium		1.0	2.0	3.0	4.0	±3°		
Coarse		2.0	3.5	5.0	6.5			
Tapped Holes acc. -				Mtss	Scale	Material No.		Date of first issue: 2015-04-24
1) Tolerance Class Applied Crossmarked				-	2:1	893 129 409 2		Doc.Code
				Size	1:1	005		Language
				A 2	CREO	EN		Sheet
				ECN-No.		Revision		Techn. Resp.
				-		-		5690
				Replacement for				

100mm

Non e permesso consegnare o terzi o riprodurre questo documento, ne utilizzare il contenuto o renderlo comunque noto a terzi.  
 E' fatto riserva di tutti i diritti, espressi o non, in merito a brevetti o marchi.  
 Toute communication ou reproduction de ce document, toute exploitation ou communication de son contenu sont interdites, sauf autorisation expresse.  
 Toute communication ou reproduction de ce document, toute exploitation ou communication de son contenu sont interdites, sauf autorisation expresse.  
 Weitergabe sowie Vervielfachung dieses Unterlagen, Verwertung und Mitteilung ihres Inhalts nicht gestattet, soweit nicht ausdrücklich zugestanden.  
 Alle Rechte für den Fall der Patentierung oder Gebrauchsmuster-Eintragung vorbehalten.