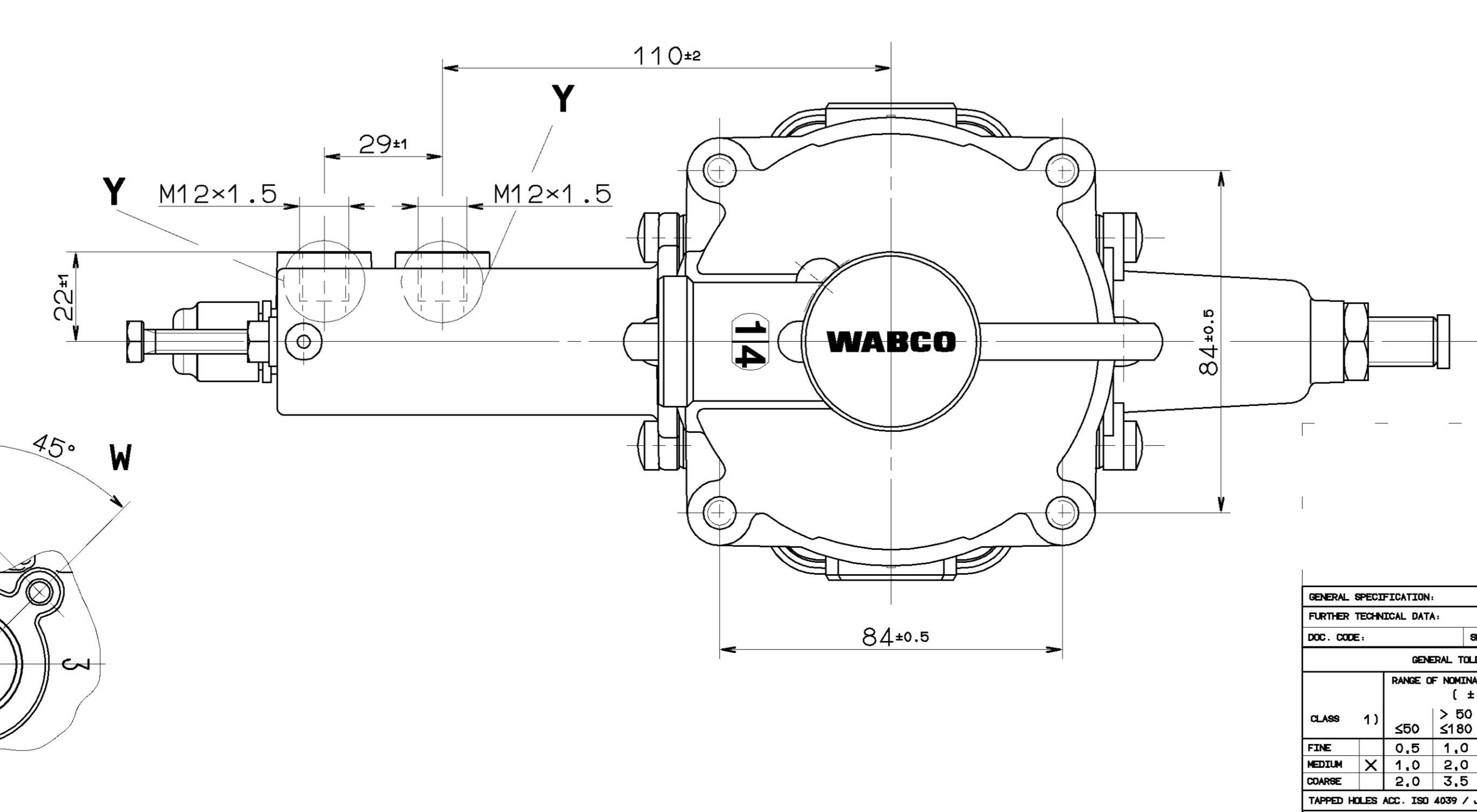
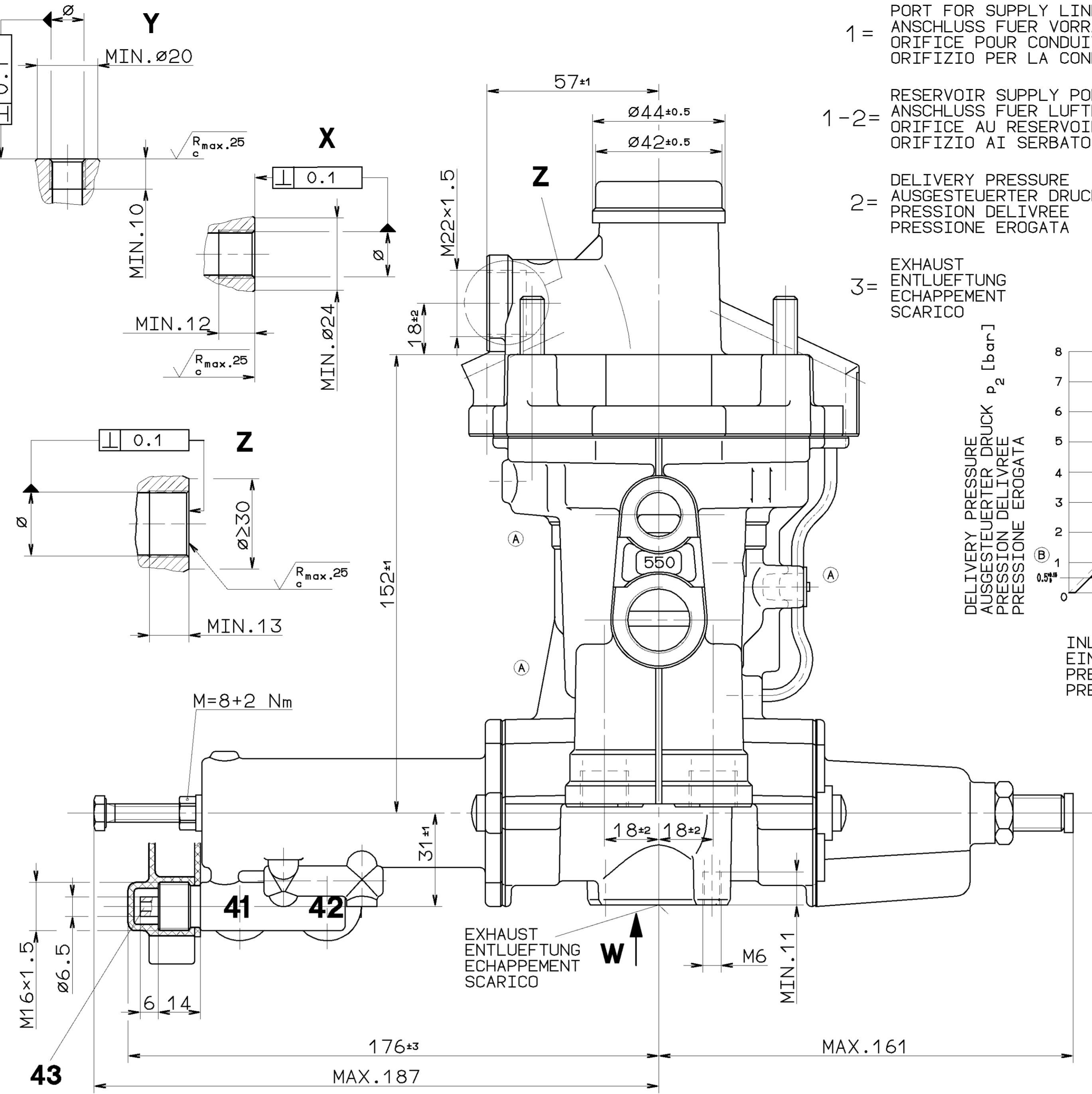
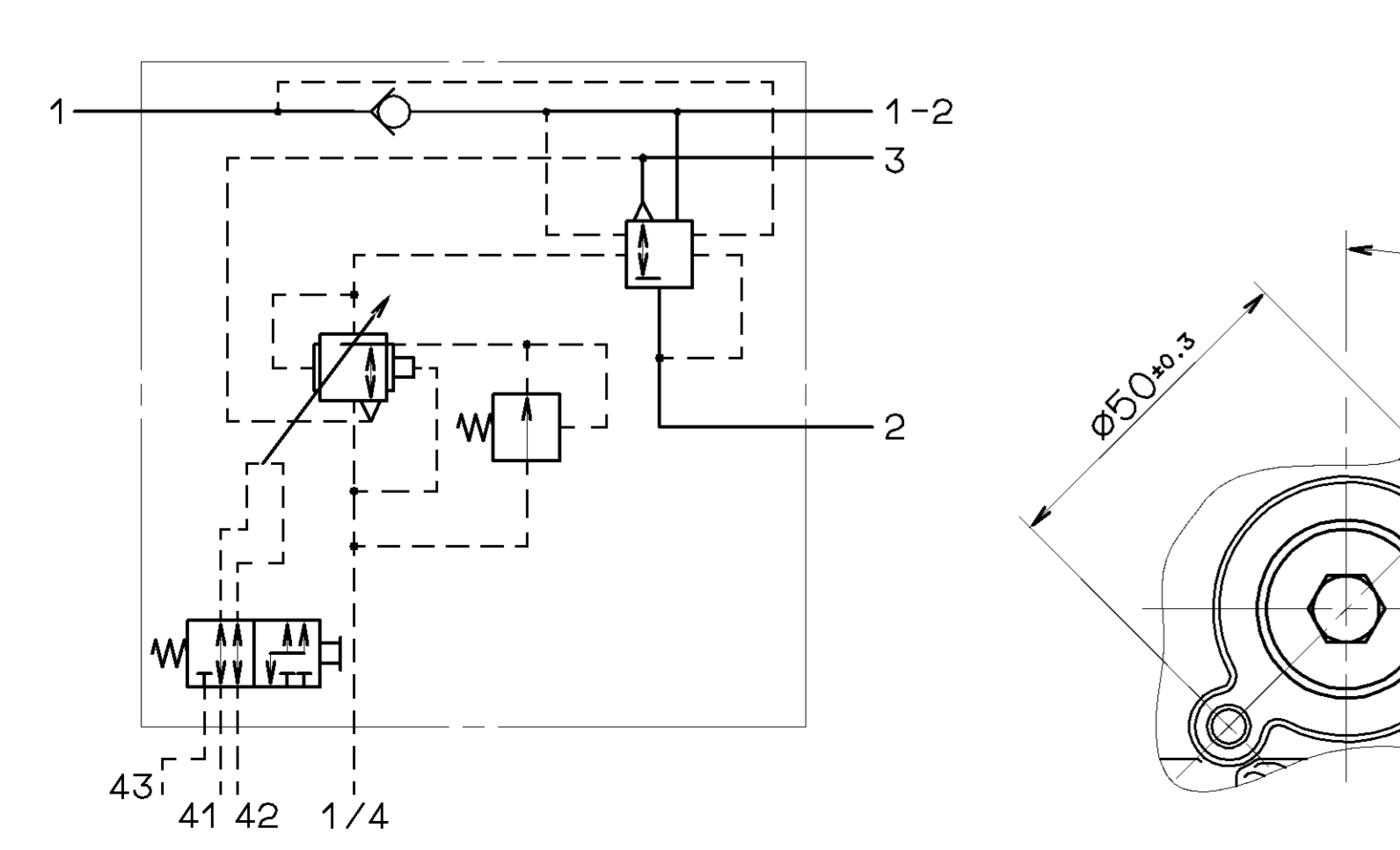


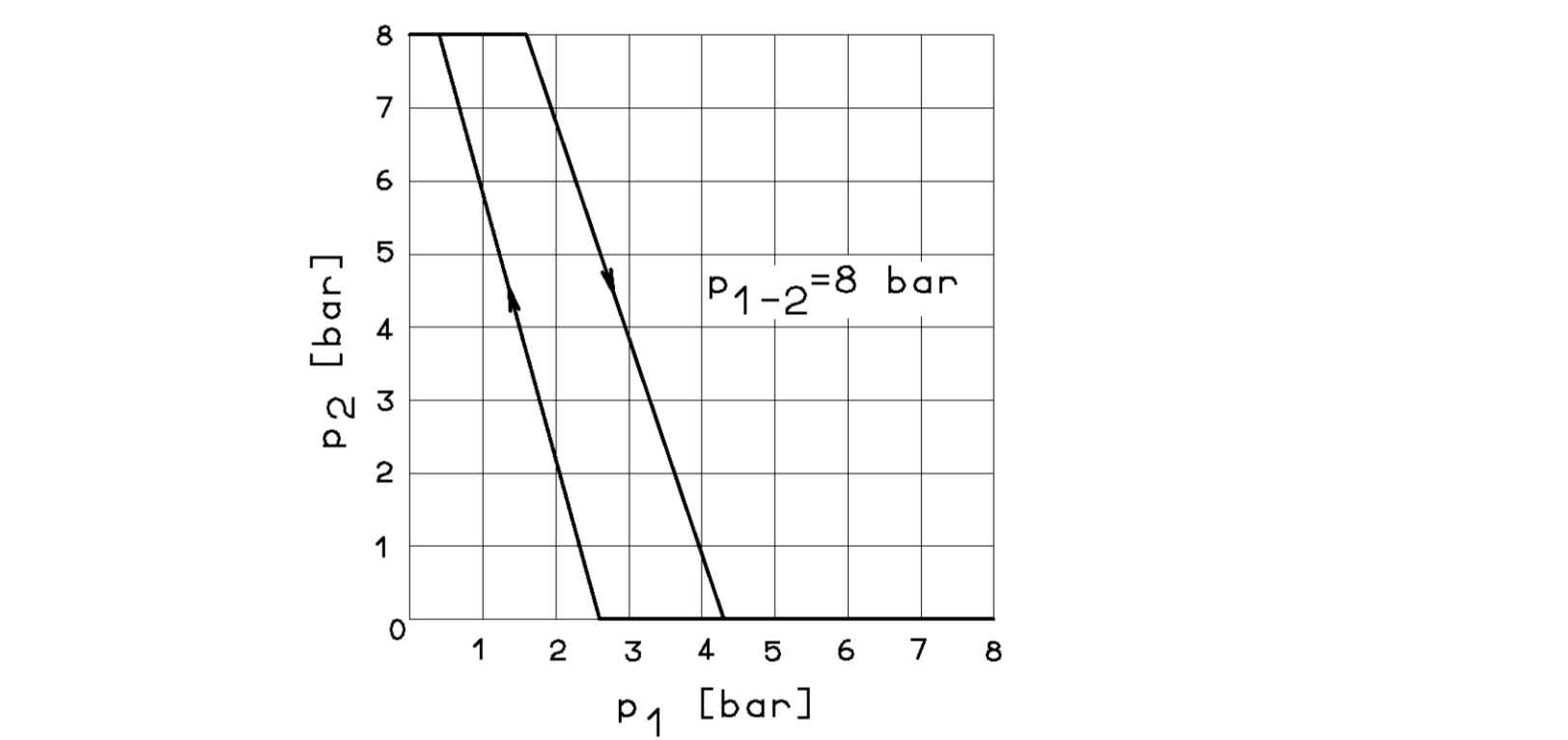
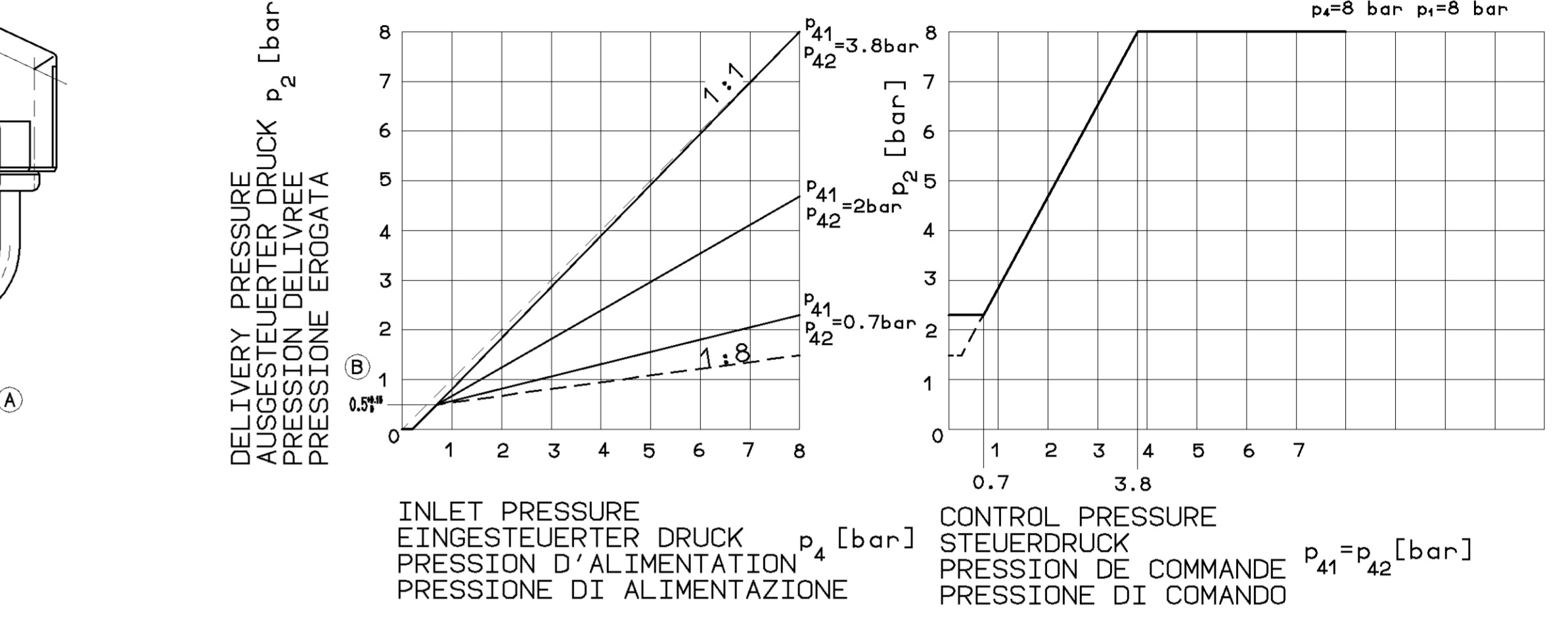
TORQUE FOR CONNECTIONS:
 ANZUGSMOMENT FUER EINSCHRAUBSTUTZEN: M12x1.5 : MAX.21Nm
 COUPLE DE SERRAGE DES RACCORDS: M16x1.5 : MAX.34Nm
 COPPIA DI SERRAGGIO DEI RACCORDI: M22x1.5 : MAX.53Nm

CONVERSION KIT 475 714 530 2 ENCLOSED
 UMBBAUSATZ 475 714 530 2 DEM GERAET BEIGEPAKT
 JEU DE TRANSFORMATION 475 714 530 2 JOINT A L'APPAREIL
 GIOCO DI TRASFORMAZIONE 475 714 530 2 QUI ALLEGATO

INSTALLATION POSITION AS DRAWN
 EINBAULAGE WIE GEZEICHNET
 POSITION D'INSTALLATION SUIVANT DESSIN
 POSIZIONE DI MONTAGGIO COME DISEGNATO



- 1 = PORT FOR SUPPLY LINE
ANSCHLUSS FUER VORRATSLEITUNG
ORIFICE POUR CONDUITE D'ALIMENTATION
ORIFIZIO PER LA CONDOTTA D'ALIMENTAZIONE
- 1-2 = RESERVOIR SUPPLY PORT
ANSCHLUSS FUER LUFTBEHAELTER
ORIFICE AU RESERVOIR
ORIFIZIO AI SERBATOIO
- 2 = DELIVERY PRESSURE
AUSGESTEUERTER DRUCK
PRESSION DELIVREE
PRESSIONE EROGATA
- 3 = EXHAUST
ENTLUEFTUNG
ECHAPPEMENT
SCARICO
- 114 = PORT FOR CONTROL LINE
ANSCHLUSS FUER BREMSLEITUNG
ORIFICE POUR CONDUITE DE COMMANDE
ORIFIZIO PER LA CONDOTTA DI COMANDO
- 41 = CONTROL PRESSURE
STEUERDRUCK
PRESSION DE COMMANDE
PRESSIONE DI COMANDO
- 42 = CONTROL PRESSURE
STEUERDRUCK
PRESSION DE COMMANDE
PRESSIONE DI COMANDO
- 43 = TEST CONNECTION
PRUEFANSCHLUSS
RACCORD D'EPRUEVE
RACCORDO DI PROVA



WORKING PRESSURE:
BETRIEBSDRUCK:
PRESSION DE SERVICE:
PRESSIONE D'ESERCIZIO:

CONTROL PART:
STEUERTEIL:
PARTIE COMMANDE:
PARTE COMANDO:

THERMAL RANGE OF APPLICATION:
 THERMISCHER ANWENDUNGSBEREICH:
 GAMME D'APPLICATION THERMIQUE: -40°...+80° C
 CAMPO DI APPLICAZIONE TERMICA:

GENERAL SPECIFICATION: FURTHER TECHNICAL DATA: DOC. CODE: JED-034		DATE: 89-06-29 DRAWN: BRINK CHECKED: 89-07-03 STANDARDIZATION: 89-07-03 PANTZER		WABCO	
GENERAL TOLERANCES		PRODUCT IDENTIFICATION NO.		LOAD-SENSING RELAY EMERGENCY VALVE ALB-ANHAENGER-BREMSEVENTIL VALVECORRECTEUR RELAIS D'URGENCE SERVODISTRIBUTORE-CORRETTORE RELE	
CLASS	RANGE OF NOMINAL DIMENSIONS (± mm)	MASS	SCALE	DOC. CODE	SHEET
1)	≤50	2.4	1:1	605	1/1
	>50				
	≤180				
	≤400				
	>400				
FINE	± 0.1				
MEDIUM	± 0.2				
COARSE	± 0.5				
TAPPED HOLES ACC. ISO 4039 / JED-162		REPLACEMENT FOR		SHAPE CODE	
1) TOLERANCE CLASS APPLIED CROSSHATCHED		066755 1x B 98-07-01		864 007 465 0	
		045452 4x A 91-01-21		c/ 89-01-26	
		DCN-NO. REV. DATE		EXPERT CODE 7142	
		A 1 140		PRODUCT TYPE	