

MATERIAL	SURFACE PROTECTION <2>	
MATIERE	PROTECTION DE SURFACE	
I	JED-O21M1	JED-256-4 [3]
II	JED-O51M1	JED-256-1 (B)
III	JED-O29M1	JED-259-0 (B)
IV	JED-O05M	

THERMAL RANGE OF APPLICATION  
THERMISCHER ANWENDUNGSBEREICH  
GAMME D'APPLICATION THERMIQUE  
CAMPO DI APPLICAZIONE TERMICA

-40°C....+80°C  
MAX. TEMP. 100°C  
(B) ADMISSIBLE DURING LIMITED PERIOD OF TIME 20 h

TORQUE FOR CONNECTIONS  
ANZUGSMOMENT FÜR EINSCHRAUBSTUTZEN  
COUPLE DE SERRAGE DES RACCORDS  
COPPIA DI SERRAGGIO DEI RACCORDI

48 Nm max

- ① INLET  
VORRAT  
ALIMENTATION  
ALIMENTAZIONE (HIGH PRESSURE)  
(HOCHDRUCK)  
(HAUTE PRESSION)  
(ALTA PRESSIONE)
- ② DELIVERY  
AUSGESTEURTE LUFT  
UTILISATION  
UTILIZZAZIONE (LOW PRESSURE)  
(NIEDERDRUCK)  
(BASSE PRESSION)  
(BASSA PRESSIONE)
- ③ EXHAUST  
ENTLUEFTUNG  
ECHAPPEMENT  
SCARICO

NOMINAL DIAMETER MIN.  
MIN. FREIER DURCHGANG  
DIAMETRE NOMINAL MIN.  
DIAMETRO NOMINALE MIN.

10 mm (78.5 mm<sup>2</sup>)

MEDIUM  
MEDIUM  
FLUIDE  
FLUIDE

AIR  
LUFT  
AIR  
ARIA

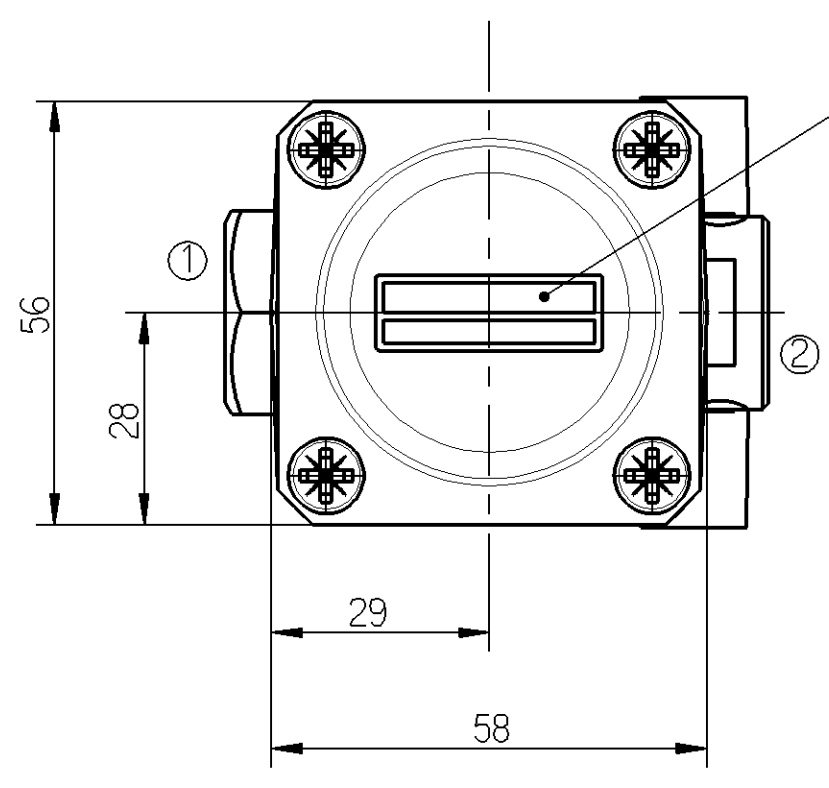
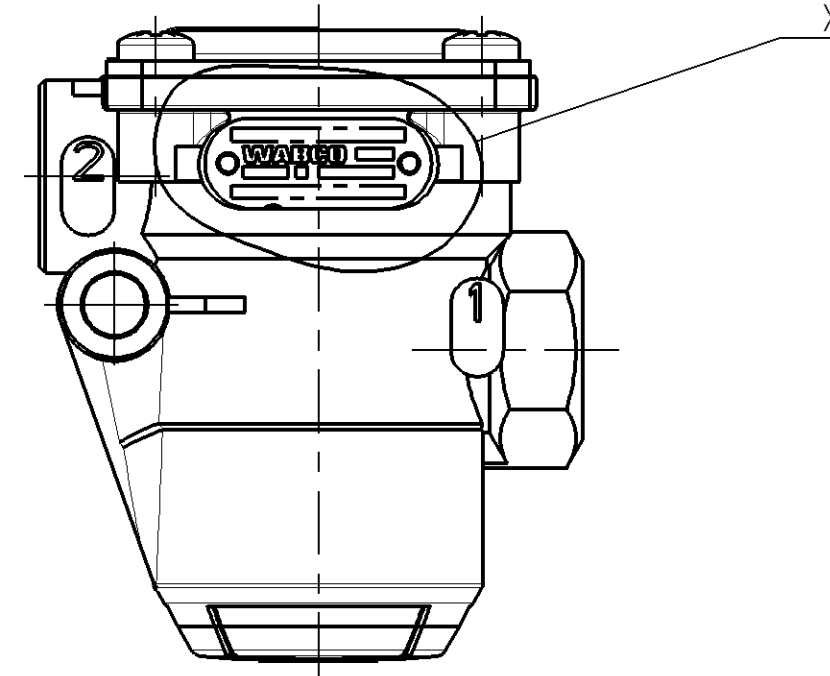
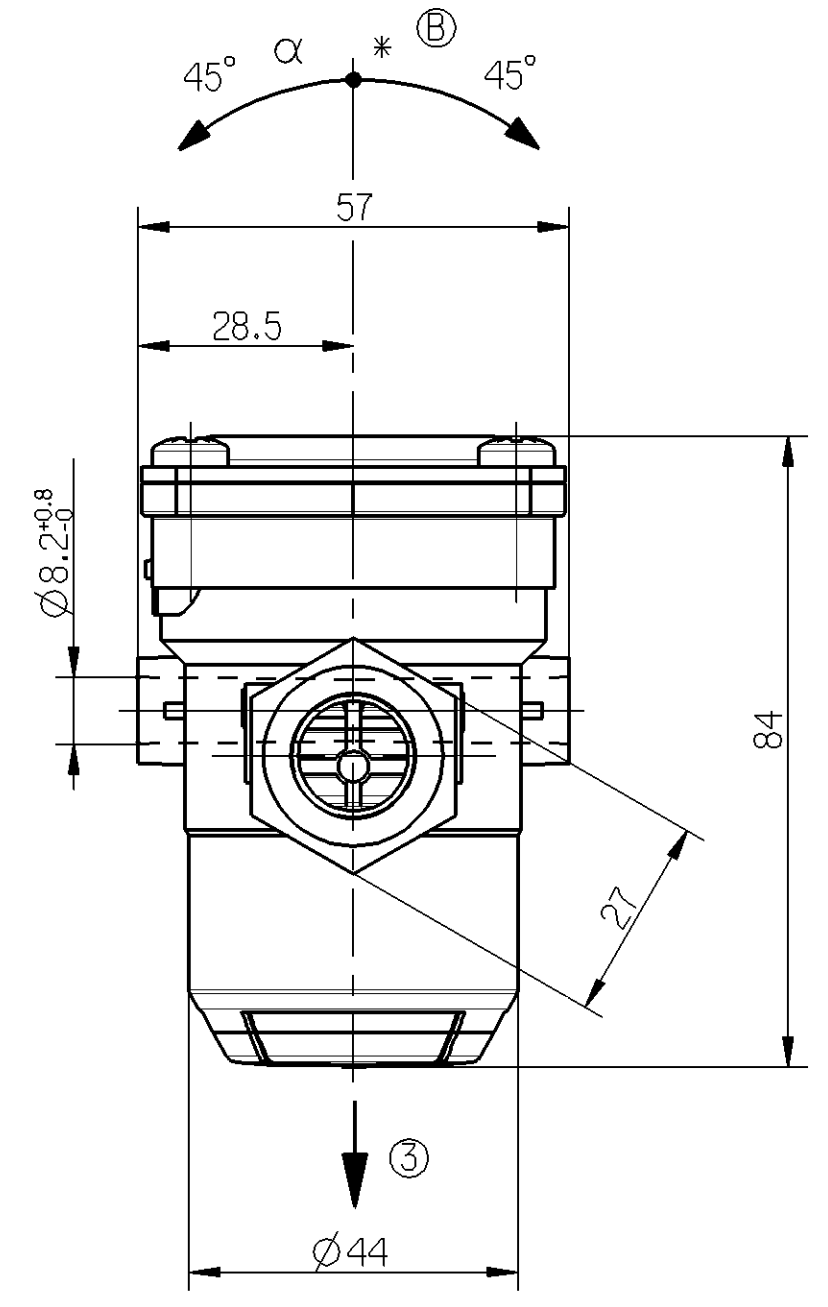
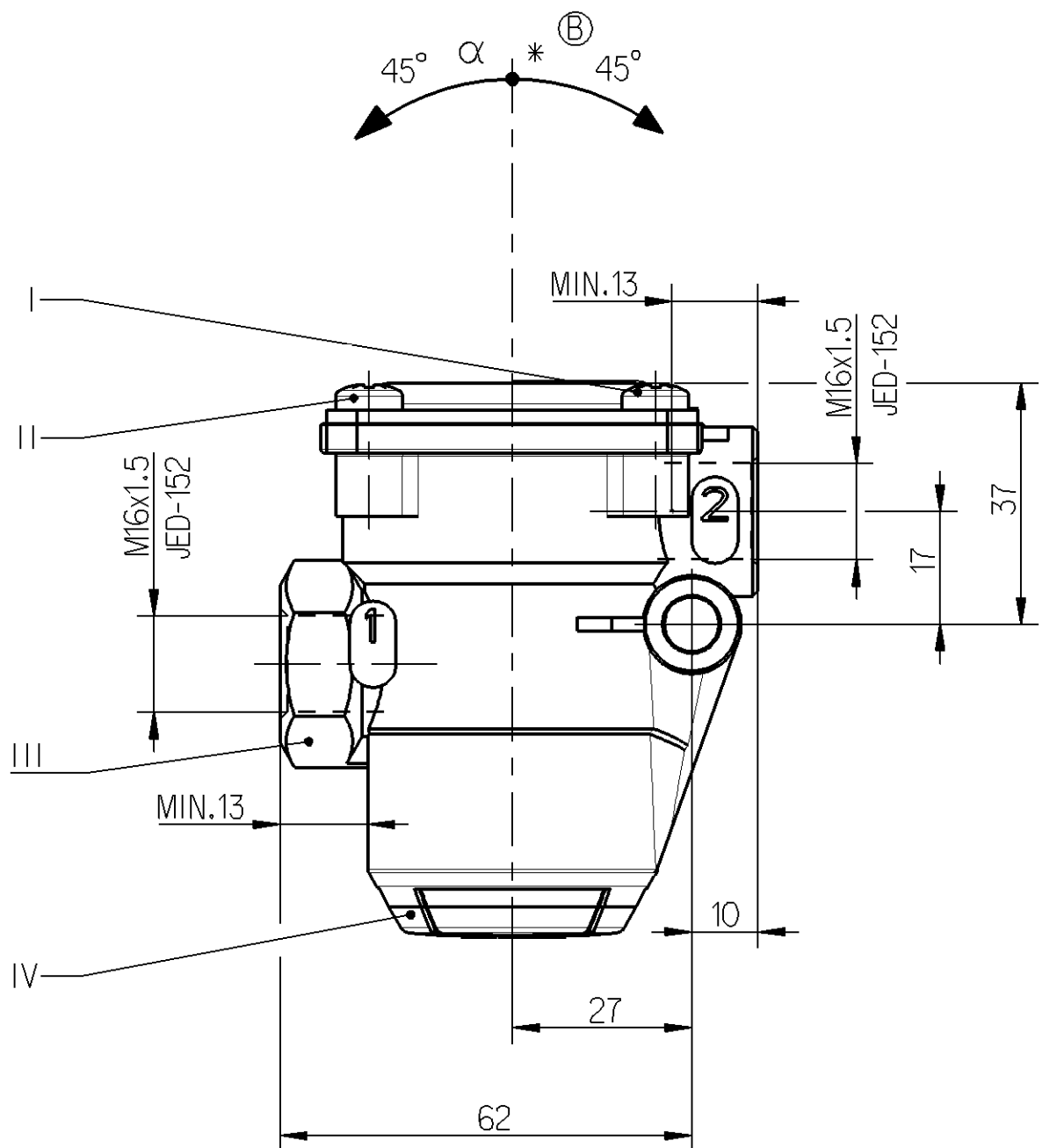
3 < >

SAFETY CHARACTERISTIC, SIGNIFICANT CHARACTERISTIC  
SICHERHEITSMERKMAL, WESENTLICHES MERKMAL  
CARACTERISTIQUE DE SECURITE, CARACTERISIQUE SIGNIFICANTE  
CARATTERISTICA DI SICUREZZA, CARATTERISTICA SIGNIFICATIVA

INSTALLATION RESTRICTIONS:  
EINBAUBESCHRÄNKUNGEN:  
RESTRICTIONS D'INSTALLATION:  
LIMITAZIONI DI MONTAGGIO:

α max. ±45° (B)

SURFACE PROTECTION ACCORDING VOLVO STD 423-0010 480 NSS ON THE STEEL MATERIAL [3]

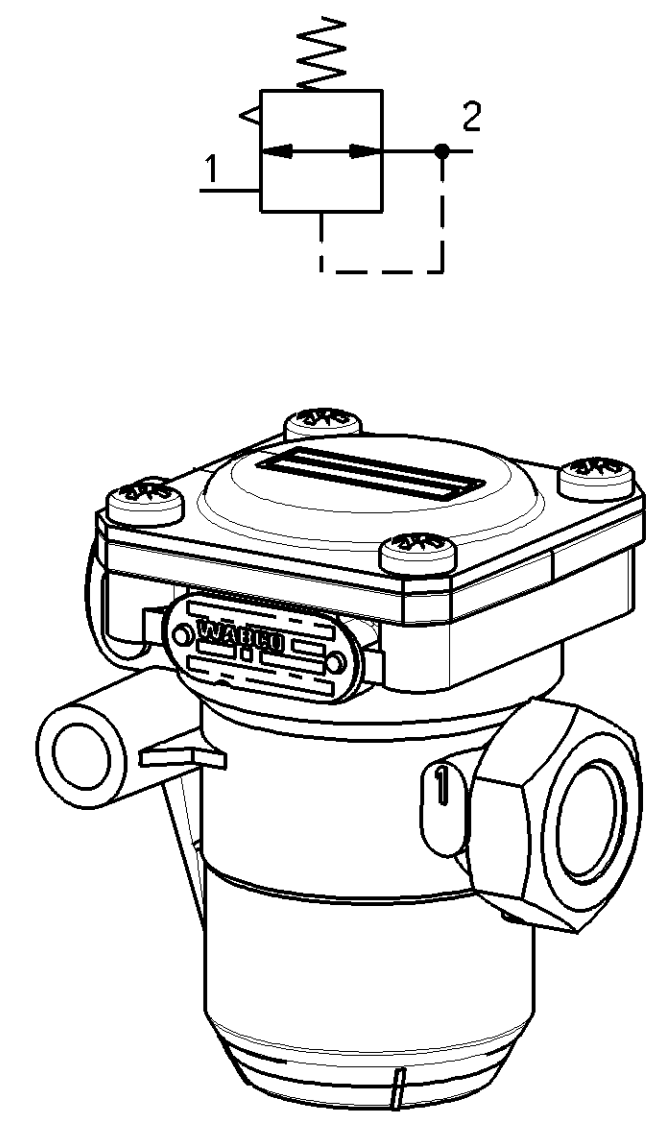


BAR CODE LABEL  
BAR CODE IDENTIFICATION ACCORDING VOLVO STD 103-0013

PRODUCTION RESPONSIBILITY  
RESPONSABILITE DE PRODUCTION  
JED-225

DATE OF MANUFACTURE OF DEVICE  
HERSTELLDATUM DES GERÄTES  
DATE DE FABRICATION DE L'APPAREIL JED-226  
DATA DI FABBRICAZIONE DELL'APPARECCHIO

DEVICE NUMBER  
GERÄTE NUMMER  
NUMERO DE L'APPAREIL  
NUMERO DELL'APPARECCHIO



475 015 076 0	21339187	P2 + 2.5 bar	P2=5.0+/-0.2 bar	P1=10 bar
475 015 075 0	21339185	P2 + 2.5 bar	P2=5.6+0/-0.4 bar	P1=10 bar
475 015 074 0	21339183	P2 + 2.5 bar	P2=5.9 0/-0.4 bar	P1=10 bar
475 015 073 0	21339181	P2 + 2.5 bar	P2=7.5+0.4/0 bar	P1=10 bar
475 015 072 0	21339179	P2 + 2.5 bar	P2=8.5 0/-0.4 bar	P1=11 bar
475 015 071 0	21339177	P2 + 2.5 bar	P2=10+/-0.2 bar	P1=11 bar
475 015 026 0	21076527	P2 + 2.5 bar	P2=2.5+/-0.2 bar	P1=8 bar

WABCO No	CUSTOMER'S NUMBER	Opening pressure	p2 pressure [bar]	p1 pressure [bar]
----------	-------------------	------------------	-------------------	-------------------

INLET  
VORRAT  
ALIMENTATION  
ALIMENTAZIONE

P1 MAX = 15 bar

P1 MAX = 12.5 bar

IF FALLS  
SI  
SE

P1

CONSTANT  
UNVERÄNDERLICH  
CONSTANTE  
INVARIABLE

IF FALLS  
SI  
SE

P1

VARIABLE  
VERÄNDERLICH  
VARIABLE  
VARIABLE

CRITICAL CHARACTERISTIC ACCORDING VOLVO STD 105-0001 & AC525080

General Specifications: JED-334-0		Copyright WABCO®	
Further Technical Data:		Date	Signature
Doc. Code:	Sheet: To:	2009-06-23	Kryla
General Tolerances JED-261		Checked	Moyn
Range of Nominal Dimensions ( ± mm)		2012-10-25	Moyn
Class	1)	≤ 50	> 50 > 180 > 400
Fine		0.5	1.0 1.5 2.0
Medium	X	1.0	2.0 3.0 4.0
Coarse		2.0	3.5 5.0 6.5
Tapped Holes acc. JED-152		Material No.	Date of first issue: 2009-06-26
1) Tolerance Class Applied Crossmarked		475 015 600 0	Doc.Code Language Sheet
		151652	053 ML 1/1
		7 8	5160
		Replacement for	

Non e' permesso copiare o riprodurre questo documento, ne utilizzare il contenuto o renderlo comunque noto a terzi senza permesso scritto dalla WABCO. Toute reproduction ou communication de son contenu sans autorisation, sauf autorisation écrite de la WABCO, est formellement interdite. No se permite copiar o reproducir este documento ni utilizar su contenido ni divulgarlo de ninguna manera sin el consentimiento escrito de WABCO.