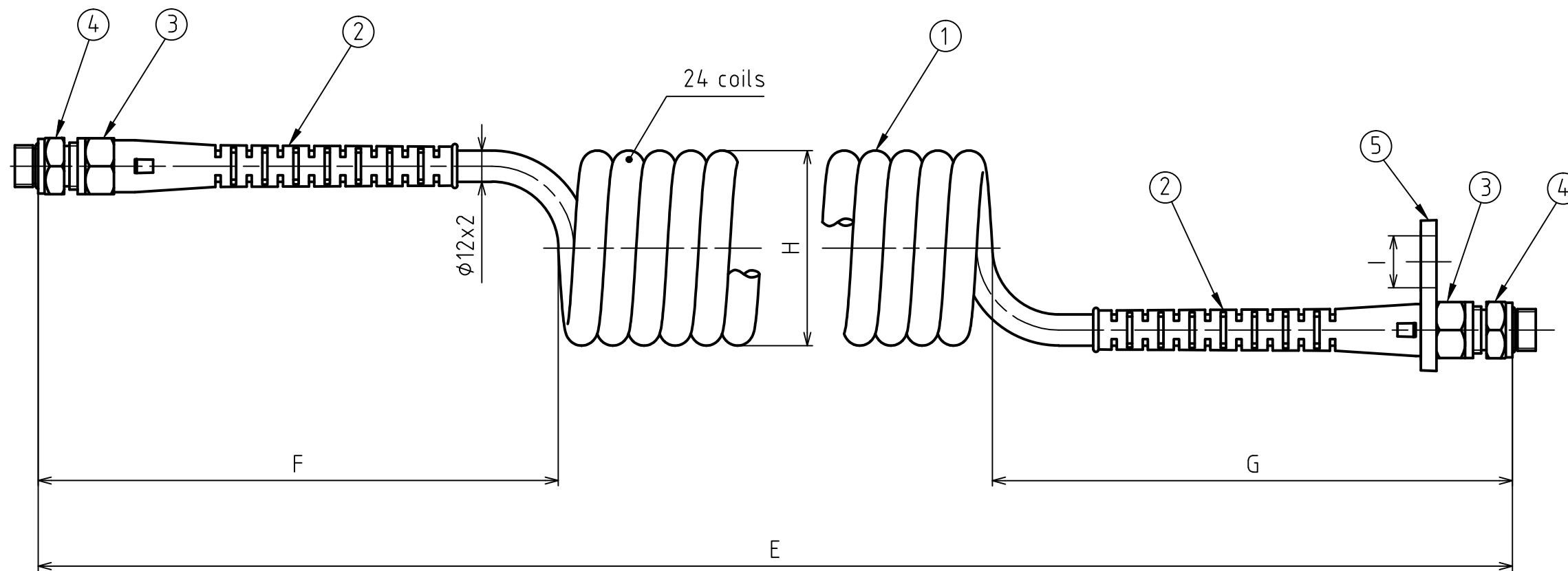
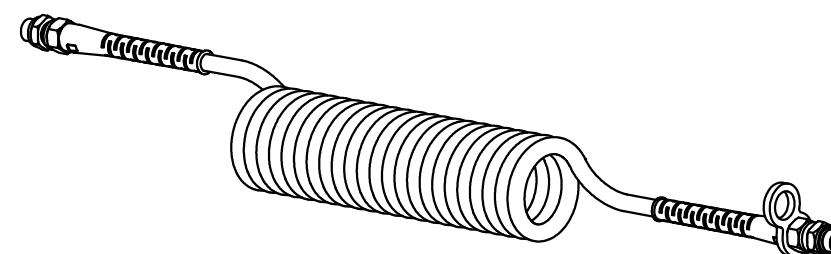
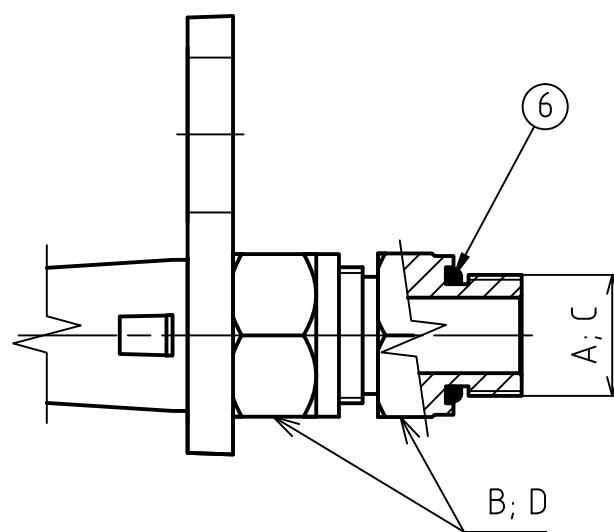


1 2 3 4 5 6 7 8

A	B	C	D	E	F	G	H	I	J	K
M16x1.5 external + O-ring	Hex. 22	M16x1.5 external + O-ring	Hex. 22	700 ±20 (-4000)	200±20	200±20	∅70±10	+0.2 ∅20 0	similar to: DIN 74323 ISO7375	single tube



CUT VIEW OF FITTINGS (1:1)



- ⑥ Material: NBR Black 70ShA
- ⑤ Material: PP Black
- ④ Material: Steel; gal. Zn CrVI free
- ③ Material: Steel; gal. Zn CrVI free
- ② Material: TPE Red
- ① Material: TPU Red

Cleanliness requirement:

No particles >1mm allowed acc. to mandatory standard:
JED-334 and JED-593

Medium: Air
 Admissible temperature range: -40°C to +70°C
 Admissible working pressure: max. <10 bar
 Marking: acc. to 452 713 000 0 Doc. Code 005

General Specification: JED-334-1, Size ISO 14405 LP				Copyright WABCO®		WABCO				
Further Technical Data:				Date	Signature					
Doc. Code:		Sheet: To		Drawn	ing. KUBIS					
General Tolerances JED-261				2015-06-29				Checked		
Range of Nominal Dimensions (± mm)				2015-06-29		ing. KUBIS				
				Expert		KAUFMANN				
Fine	0.5	1.0	15	2.0	Mass	Scale	Material No.		Date of first issue: 2015-06-25	
Medium	1.0	2.0	3.0	4.0	0.544 KG	1:2	452 713 001 0		Doc.Code	Language
Coarse	2.0	3.5	5.0	6.5	Size	CAD System			005	EN
Tapped Holes acc. to -				A 3	ACAD	ECN-No.	Revision	Techn. Resp.		Replacement for
1) Tolerance Class Applied Crossmarked						-	-	5690		-

100mm

1 2 3 4 5 6

Non e permesso consegnare a terzi o riprodurre questo documento, ne utilizzare il contenuto o renderlo comunque noto a terzi senza autorizzazione esplicita. Ogni violazione costituisce un evidente abuso e comporterà il risarcimento dei danni subiti. E' fatta riserva di tutti i diritti derivanti da brevetti o modelli.
 Copring of this document and giving it to others, and the use or communication of the contents thereof, are forbidden without express authority. Contravention of this restriction will constitute an evident abuse and result in a liability to the payment of damages. All rights are reserved in the event of the grant of patent or registration of a utility model or design. This document is the subject of copyright.
 Toute communication ou reproduction de ce document, toute exploitation ou communication de son contenu sont interdites, sauf autorisation expresse. Toute manquement a cette regle constitue un abus evident et expose son auteur au versement de dommages et interets. Tous droits de proprie industrielle reserves, notamment en matiere de brevets et de modes.
 Weitergabe sowie Vervielfaltigung dieses Urteils, Verwertung und Mitteilung ihres Inhalts nicht gestattet, soweit nicht ausdruecklich zugestanden. Zuwiderhandlungen stellen einen offensichtlich missbrueuch dar und verpflichten zu Schadensersatz. Alle Rechte fuer den Fall der Patenterteilung oder Gebrauchsmuster-Eintragung vorbehalten.