

GROUND COLOR: RED
 GRUNDFARBE: ROT
 COULEUR DE FOND: ROUGE
 COLORE DE FONDO: ROSSO

STAMP: WHITE
 AUFDRUCK: WEISS
 MARQUAGE: BLANC
 STAMPIGLIATURA: BIANCO

SURFACE GRAINED ACCORDING TO:
 OBERFLAECHE GENARBT GEMAESS: JED-533-035 (VDI 3400 REF. 24) *
 SURFACE GRAINEE SELON: JED-533-038 (VDI 3400 REF. 33) **
 SUPERFICIE GRANITA SECONDO:

VOLTAGE:
 SPANNUNG: 24V ± 25% DC
 VOLTAGE:
 VOLTAGGIO:

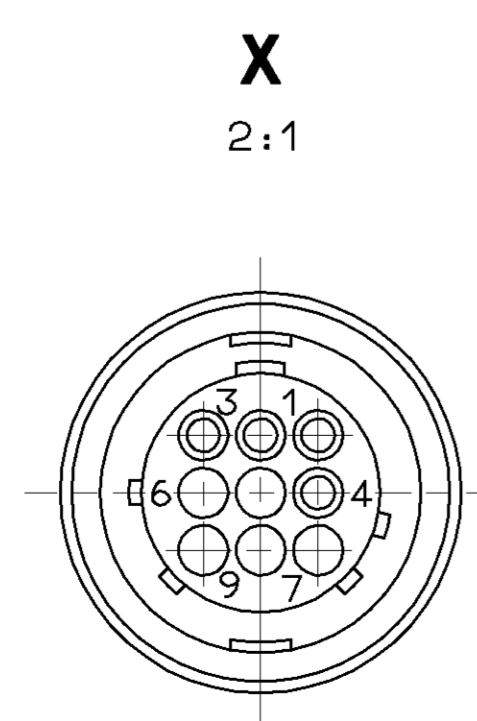
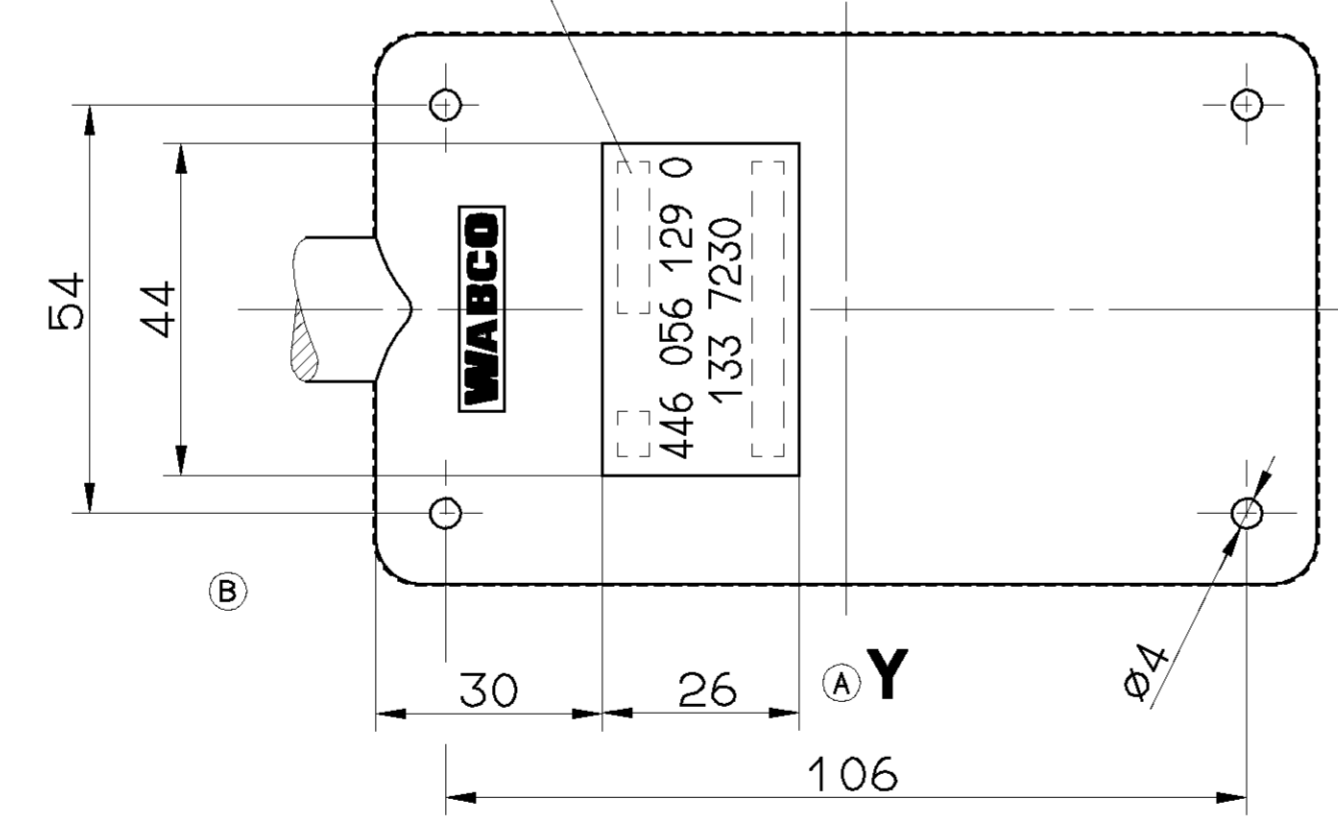
THERMAL RANGE OF APPLICATION:
 THERMISCHER ANWENDUNGSBEREICH: -40° C...+70° C
 PLAGE DE TEMPERATURE EN UTILISATION:
 CAMPO TERMICO DI APPLICAZIONE:

TYPE OF PROTECTION:
 SCHUTZART: IP 64
 MODE DE PROTECTION:
 TIPO DI PROTEZIONE:

FURTHER TECHNICAL DATA SEE PRODUCT SPECIFICATION
 WEITERE TECHNISCHE DATEN SIEHE PRODUKTSPEZIFIKATION
 POUR AUTRES DONNEES TECHNIQUES VOIR PRODUCT SPECIFICATION
 PER ULTERIORI DATI TECNICI VERDERE SPECIFICA DI PRODOTTO

WORKING LENGTH (STRECKED)
 ARBEITSLAENGE (GESTRECKT) MAX. 2000 MM
 LONGUEUR DE TRAVAIL (CONNECTE)
 LUNGHEZZA DI LAVARO (STESO)

DATE OF MANUFACTURE:
 HERSTELLDATUM: JED-226
 DATE DE FABRICATION:
 DATA DI FABRIZIONE:



- 1 +UB KL.15
- 2 GROUND MASSE KL.31
- 3 CLOCK TAKT
- 4 DATA DATEN

GENERAL SPECIFICATION: JED-034		CADAM-DRAWING COPYRIGHT		WABCO	
FURTHER TECHNICAL DATA:		DATE: 97-04-11		DRAWN: PFENNIG	
DOC. CODE: SHEET: TO:		CHECKED: 97-04-11		MEIER	
GENERAL TOLERANCES		STANDARDIZATION:		PRODUCT IDENTIFICATION NO. 446 056 129 0	
RANGE OF NOMINAL DIMENSIONS (± mm)		MASS: 0.30 kg		SCALE: 1:1	
CLASS 1)	≤50	≤180	≤400	≥400	2:1
FINE	0,5	1,0	1,5	2,0	± 3'
MEDIUM	1,0	2,0	3,0	4,0	
COARSE	2,0	3,5	5,0	6,5	
TAPPED HOLES ACC. ISO 4039 / JED-162	063347	2xA	97-07-21	SHAPE CODE	
1) TOLERANCE CLASS APPLIED CROSSMARKED	071251	3xB	99-05-03	REPLACEMENT FOR	
	DOC-NO.	REV.	DATE	A 1 142	