

NON E' PERMESSO CONSERVARE A TERZI O RIPRODURRE QUESTO DOCUMENTO. NE UTILIZZARNE IL CONTENUTO O REN-  
DERNE O PERMESSO IN TUTTO O IN PARTE SENZA AUTORIZZAZIONE ESPlicitA. CONSERVARE IL CONTENUTO O RIPRODURRE  
QUESTO DOCUMENTO E' CONSIDERATO IL RIBANDIMENTO DEI DIRITTI SUBITTI. E' FATTA RISERVA DI TUTTI I DIRITTI DERIVANTI DA  
BREVETTI O MODELLI.

COPIING OF THIS DOCUMENT AND GIVING IT TO OTHERS AND THE USE OF COMMUNICATION OF THE CONTENTS THEREOF  
ARE FORBIDDEN WITHOUT EXPRESS AUTHORITY. CONTRAVENTION OF THIS RESTRICTION WILL CONSTITUTE AN EVIDENT  
VIOLATION OF THE PATENT RIGHTS OF THE INVENTOR AND THE REGISTRAR OF THE PATENT. THIS DOCUMENT IS THE SUBJECT OF COPYRIGHT.  
GRANT OF PATENT OR REGISTRATION OF A UTILITY MODEL OR DESIGN.

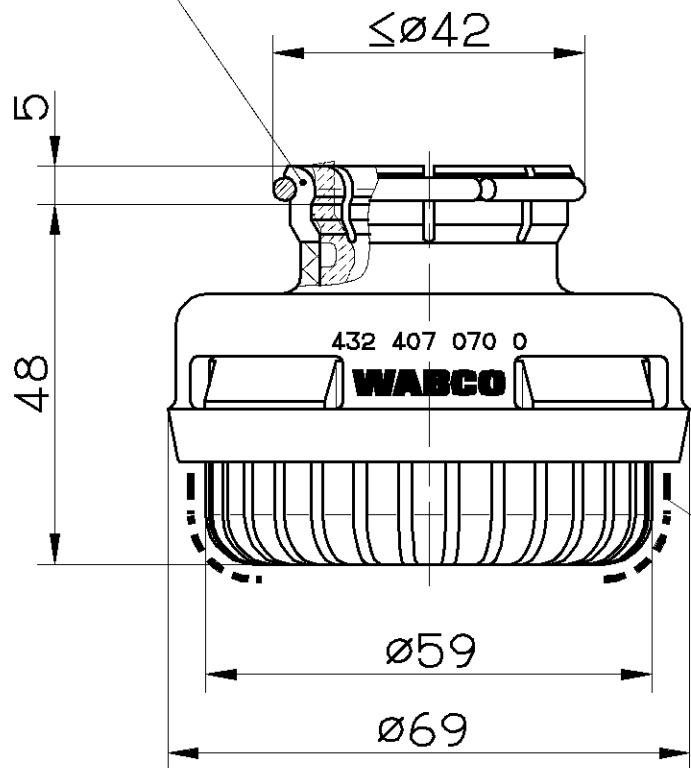
TOUTE COMMUNICATION OU REPRODUCTION DE CE DOCUMENT TOUTE EXPLOITATION OU COMMUNICATION DE SON CONTE-  
NU EN TOUT OU EN PARTIE SANS AUTORISATION EXPLICITE SONT FORMELLEMENT INTERDITES. LE CONTENU DE CE DOCUMENT  
EST RESERVE A LA PROPRIETE INDUSTRIELLE. LE REPRODUCTION DE CE DOCUMENT EST CONSIDERE COMME LE REBANDISSEMENT DES DROITS DE PROPRIETE  
INDUSTRIELLE. RESERVES. NOTAMMENT EN MATIERE DE BREVETS ET DE MODELES.

WEITERGABE SOWIE Vervielfaeligung dieser unterlage, vermerkung und mitteilung ihres inhalts nicht  
gestattet, soweit nicht ausdru cklich zugestanden. zuwiderhandlungen stellen einen offensichtlichlichen  
missbrauch dar und verpflichten zu schadenersatz. alle rechte fuer den fall der patenterteilung oder  
gebrauchsmuster-eintragung vorbehalten.

ASSEMBLY: ENGAGE IN CONTOUR  
MONTAGE: EINRASTEN IN KONTUR JED-463  
MONTAGE: .  
MONTAGGIO: .

THERMAL RANGE OF APPLICATION :  
THERM. ANWENDUNGSBEREICH :  
GAMME D'APPLICATION THERMIQUE : -40° C...+80° C  
CAMPO DI APPLICAZIONE TERMICA:

MEDIUM: AIR  
MEDIUM: LUFT  
FLUIDE: AIR  
FLUIDO: ARIA



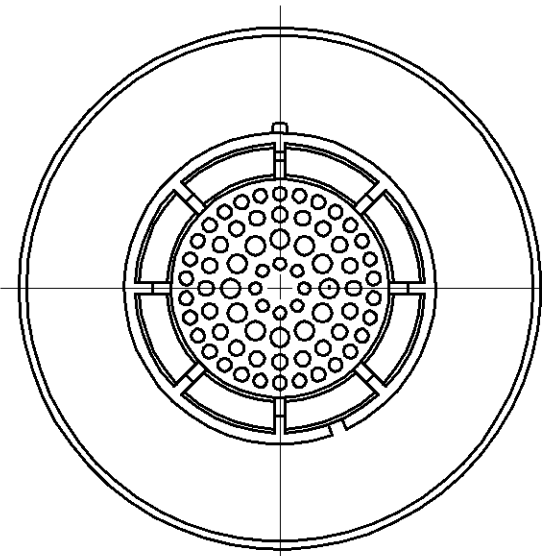
EXHAUST  
ENTLUEFTUNG  
ECHAPPEMENT  
SCARICO

INSTALLATION POSITION : SEE PRODUCT SPECIFICATION  
EINBAULAGE : SIEHE PRODUKTSPEZIFIKATION  
POSITION D'INSTALLATION: VOIR SPECIFICATION DU PRODUIT  
POSIZIONE DI MONTAGGIO : VEDERE SPECIFICA DI PRODOTTO

MAX. WORKING PRESSURE OF DEVICE TO BE EXHAUSTED:  
MAX. BETRIEBSDRUCK DES ZU ENTLUEFTENDEN GERAETES:  $p_e=11$  bar  
PRESSION D'UTILISATION MAX. DE L'APPAREIL A ECHAPPER:  
PRESSIONE MAX. DI LAVORO DEL COMPONENTE DA SCARICARE:

NOISE EMISSION:  
GERAEUSCHEMISSION:  $\le 69$  dB(A), (7,0 m)\* bet 10 bar  
EMISSION DU BRUIT:  
EMISSIONE DI RUMORE:

CONDITIONS OF APPLICATION: SEE PRODUCT SPECIFICATION  
EINSATZBEDINGUNGEN: SIEHE PRODUKTSPEZIFIKATION  
CONDITIONS D'APPLICATION: VOIR SPECIFICATION DU PRODUIT  
CONDIZIONI DI APPLICAZIONE: VEDERE SPECIFICA DI PRODOTTO



GENERAL SPECIFICATION:		JED-334			
FURTHER TECHNICAL DATA:					
DOC. CODE:		SHEET: TO			
GENERAL TOLERANCES					
RANGE OF NOMINAL DIMENSIONS ( ± mm )					
CLASS	1)	≤50	> 50 ≤180	>180 ≤400	>400
FINE		0,5	1,0	1,5	2,0
MEDIUM	×	1,0	2,0	3,0	4,0
COARSE		2,0	3,5	5,0	6,5
TAPPED HOLES ACC. ISO 4039 / JED-152					
1) TOLERANCE CLASS APPLIED CROSSMARKED					

CADAM-DRAWING COPYRIGHT		<b>WABCO</b>	
DATE	SIGNATURE		
DRAWN: 93-10-15 GIESEKE		SILENCER	
CHECKED: 93-10-15 GROETZ.		GERAEUSCHDAEMPFER	
STANDARDIZATION: 93-10-15 PANTZER		SILENCIEUX	
		SILENZIATORE	
MASS	SCALE	PRODUCT IDENTIFICATION NO.	
0.07 KG	1:1	432 407 070 0	
SIZE	T.R.I.	DOC. CODE	SHEET
A 3	140	605	1/1
SHAPE CODE		REPLACEMENT FOR	

1

2

3

4

100mm

EXPERT CODE 737

PRODUCT TYPE 01

1009/008/3/04.93  
606/663