



0-775-53 4K HD Resolution Dash Camera

Durite's 4K HD Resolution dash camera. Features include 4.0MP high resolution camera, built in GPS aerial (no external aerial required) monitors both speed and location. WiFi for streaming files. 128GB TF card storage. G Sensor. Motion Detection. CE Approved.



WARNINGS

Before using this unit please read these instructions carefully.

Take special care to follow the warnings indicated on the unit itself as well as the safety suggestions listed below.

Keep these instructions for future reference.

- * **Please ensure you are familiar and comply with local traffic and driving regulations.**
- * **Power Source** - The Mini DVR should be connected to a 12-24 volt dc power supply only.
- * **Water and Moisture** - Do not use the Mini DVR where it may be subject to water ingress or excessive moisture. Do not use outside the vehicle unprotected.
- * **Heat** - Do not install the Mini DVR near a direct heat sources.
- * **Ventilation** - The Mini DVR should be situated to allow free circulation of air.
- * **Foreign Material** - Care should be taken so that objects do not fall onto or into, and that liquids are not spilled on the Mini DVR.
- * **Mounting Surface** - The Mini DVR should be mounted to a strong secure surface.
- * **Replacement Parts** - Use only manufacturers replacement specified parts. Unauthorised substitutions may result in fire risk, electric shock or other hazards and will void the warranty
- * **Service** - The user should not attempt to service this units beyond that described in the operating instructions. There are no user-serviceable parts within the unit.
- * **Screen Protective Film** - Remove the LCD screen protective plastic cover before use.
- * **SD Cards** - Please format the card before first use. To ensure a good state of health please format the SD card every 4 weeks. Please ensure all sensitive data is backed up.

Overview

This is a Full HD video dash camera recorder. Please see the summary spec below:

(1)Dual lens version: Front Cam FHD 1080P@30fps Rear Cam FHD 1080P@30fps. (Part 0-775-44)

(2)Single lens version (0-775-53)

UHD 2160P@24fps

QHD1440P@30fps

FHD 1080P@60fps

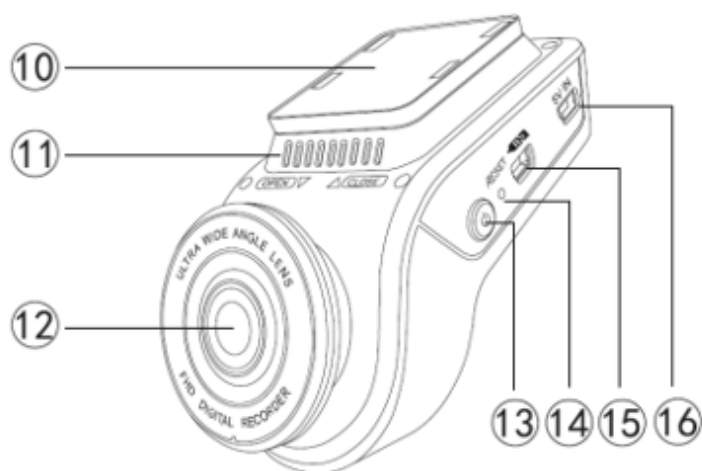
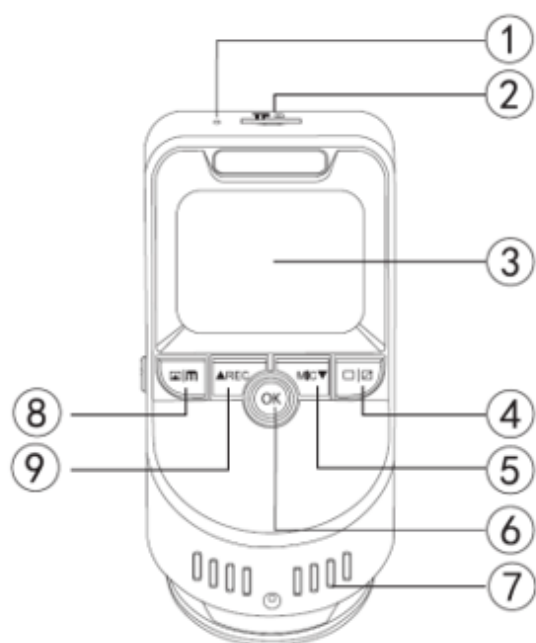
(3)Built-in WIFI function, you can wirelessly control the machine using smart phone, and also preview or download video or pictures from the machine.

(4)The function of Time-Lapse can greatly save the memory card space occupied.

(5)Built-in GPS module for recording metadata (time, location and speed) and for easy installation

This manual is for reference only.

Structure



1.MIC

2.TF Card Slot

3.Screen

4.Screen Switch

5.Record/Down

6.OK/Lock

7.Radiator

8.Menu/Mode

9.REC/UP

10.Clip Socket

11.Speaker

12.Lens

13.Power

14.Reset

15.Rear Lens Port

16.USB Port

Key Function and Port

Power

Press Power key to start device and press it for 3 Secs again to power off. Short press to turn screen off / on.

Menu/Mode

In the standby mode, press and hold it to switch video / photo / playback mode.

In the video / photo / playback mode, short press it to enter menu.

Video Menu

In the video mode, press it to enter the video settings menu. Press it again to enter system settings menu. Press again to quit.

Photo Menu

In the photo mode, press it to enter the photo settings menu. Press it again to enter system settings menu. Press again to quit.

Playback Menu

In the playback mode, press it to enter the playback settings menu. Press it again to enter system settings menu. Press again to quit.

Screen Switch

For dual lens version, press it to switch front and rear camera frame.

For single lens version, press it to open / close the screen.

For WIFI version, long press it 3 Secs to open / close the wifi function.

OK/Lock

In the menu interface, press it to confirm.

In the video recording mode press it to lock the video.

REC/Up

In the standby mode, press it to start recording.

In the menu interface, press it to navigate up .

Record/Down

In the standby / video recording mode press it to turn on / off the MIC.

In the menu interface, press it to navigate down.

Reset

If the device has crashed, press it to restart.

TF Card Slot

Support 8GB-128GB TF card (ONLY Class 10 or above) .

Rear Lens Port

Use the rear camera cable connecting the rear camera.

USB Port

Use the car charger to supply DC 5V power for device.

Lens

Take image by CMOS sensor. Its angle can be adjusted.

Lens Knob

Turn the knob to adjust the camera angle.

Image Flip Switch

Toggle this switch to select the horizontal direction of the rear lens display as positive or mirror.

Installation and Operation

Turn off the car engine. Insert TF card to the card slot of device (TF card should be 8GB~128GB, Class10 or above). If using for the first time, please format the TF card. NOTE: An error message may appear. Press Menu to continue past this message to complete format.

Install the bracket on the device, and use the 3M sticker to fix the device on the front windshield of the car. Ideally behind the rear view mirror in the center of the windshield.

Plug the car charger into the car cigarette lighter, and the other end into the device power interface. (wiring along the edge of the windshield as possible)

Adjusting the front lens position to ensure the lens is paralleled with the ground.

Start the engine and check if the machine has been installed successfully.

*Be sure the protective film of lens is OFF.

Operation

Turning ON/OFF

Automatically On/Off:

When vehicle engine starts this device will be powered on automatically and start to record video.

Precondition

- 1) Available TF card is inside this device.
- 2) Charger has been connected with this device and cigarette lighter.

Manually On/Off:

Press power button once to power on, and press it again to power off.

Video Recording Mode

Automatic Recording

After starting the vehicle engine, the device is automatically started and the recording function is enabled. The red REC icon on the screen blinks.

Manual Recording

In standby state, press the REC key to enter video recording mode. and the red REC icon on the screen blinks. Press the REC key again to stop recording. the red REC icon disappears.

Photo Mode

Press and hold Menu/Mode key to enter photo mode.

Press OK key to take photo.

Press Menu/Mode key to enter photo setup option.

Manage Files

Press and hold Menu/Mode key twice to enter File Management mode.

There are 2 types of files Video and Image. Most recent file will be displayed on LCD. For example: If your last action was taking a photo, the photo will be displayed on LCD.

Video Playback

Press UP/DOWN key to select the desired file for playback. Press OK key to start/stop playback.

Image Playback

Press UP/DOWN key to select file.

1. Delete: Press OK key to delete file.
2. Protect: Select locking or unlocking the file.
3. Slide Show: Select 2 Seconds/5 Seconds/8 Seconds to browse the files.

Remarks: If the device crashes in use, press the RESET key to restart it.

Function and Using

Loop Recording

What is loop recording?

The recorded video should be in different clips:

e.g.: Off/1Minute/3Minutes/5Minutes.

Loop recording is the process of recording video continuously to an endless memory card. This process is a never-ending one. At the end of the memory card, the latest video clip will replace the earliest video clip to save the memory card.

How to use it?

In standby mode, entering menu, using DOWN key to select loop recording function, when cursor move to loop recording, pressing OK key to set different clips time '1Minute/3Minutes/5Minutes' by UP/DOWN key.

If select 'Off', loop recording function will be off.

G-Sensor Function

What is G-Sensor function?

During loop recording, if the G-sensor detects a collision or shaking, the device will lock the current video to avoid deleting in the loop recording.

How to use it?

In standby mode, entering menu, using DOWN key to select G-sensor function, choose G-sensor, press OK key to set different sensitivity. Off/Low/Medium/High

If select 'Off', G-sensor function will be off.

Motion Detection

What is motion detection?

Motion detection is the process of detecting movement in the lens.

In the standby status, when it detects movement in the lens, it will start to record until the image is still for ten seconds.

It helps to save memory space.

How to use it?

In standby mode, entering menu, set motion detection be ON.

If it's 'Off', motion detection will not work.

Please set it "Off", when you don't need it. If not, automatically start may not record.

GPS

What is GPS?

GPS is the global positioning system. Open this function the device can automatically update the time, locate and record your travel route, time, date, speed and so on.

How to use it?

In standby mode, entering menu, find the GPS option and select KM/H or MPH. If select 'Off', GPS will not work. Set the current time zone in the menu. (If the time zone setting is incorrect, the time for automatic update will be incorrect).

How to review

Download GPS Player to PC, play the video in GPS Player video and road track will show on the video at same time.

Be sure that your PC is connected to the network.

WIFI

What is WIFI?

This machine supports WIFI direct protocol. It means that device can wirelessly transmit data without having to pass through the wireless router. Therefore, you can wirelessly control the machine using a smart phone, and you can also preview or download video or pictures from the machine.

How to use it?

In standby mode, entering menu, find the WIFI option and select ON(Or press and hold the "Screen Switch" key). Download the "RICAM" APP (see below) through the phone, use the phone WIFI to search for the machine(The WIFI name of the machine is usually started with NVT_CARDV), enter password to establish a connection(The default password is 12345678), then open the APP. You can see the real-time vid-eo interface. Press the corresponding button to make the appropriate settings, preview and download.



Password Protection

There is a password required to access the menu. The "Menu/Mode" button is used to alternate between the number selection. The default password is 1 2 3 4 and is selected using the "UP" and "DOWN" buttons. Press "OK" to confirm to access to the menu. If the password is incorrect, it will revert back to the video recording interface.

Accessories

1. In-car charging cable.
2. Mount (Bracket).
3. User Manual.

TECHNICAL SPECIFICATIONS

Type	4.0 Megapixel UHD Dash Camera
View Angle	170°
Resolution Rate	UHD 2160P, QHD1440P, FHD1080P
Frame Rate	24FPS, 30FPS & 60FPS
2nd Camera Resolution	N/A (refer to part 0-775-44)
Video Compression Format	H.264
Video Output Mode	NTSC / PAL
Screen Size	2.0"
Operating Temperature	-10°C to +60°C
Memory Card	4-128GB Class 10 or higher
Standard Voltage	5VDC/12VDC
Night Viewing Distance	5Metres with headlights
GPS	Yes
G Sensor	Yes
WiFi	Yes
Certificates	CE, RoHS

TECHNICAL DRAWING

