

# auto electrical parts

## Technical Information Sheet

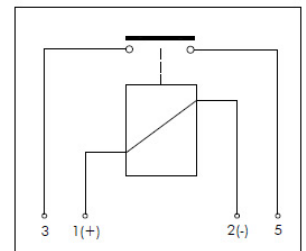
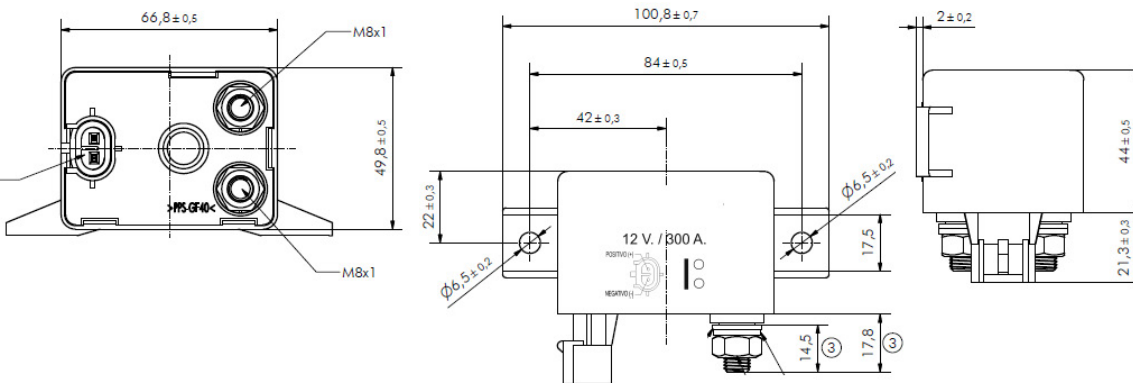
**Part No. 0-727-68**

Durite Relay, make and break normally open.  
12 volt 200 amps.



### Technical Drawing (not to scale)

### Circuit Diagram



### Specification

Type	Make and break relay
Voltage	12 volt dc
Current	200 amp (continuous at 23°C) 300 amp (1 Second)
Excitation voltage	8V < U < 16V (23°C)
Coil resistance	60hm (100ms) and 240hm continuously
Terminal voltage drop	0.2 - 0.3 volt
M8 Stud	Brass
Toque	5 N/m (maximum)
Case material	Nylon PA6 with 15% Glass Fibre
Temperature range	-30°C to +80°C
Operating life	50,000Cycles @ 300A 1s On 5s Off. >200h @ 200A Continuously
Weight	250g
Dimensions	Please see diagram above

The information contained in this document is correct to the best of our knowledge at the time of printing. However, specifications may change at any time without notice.