

# auto electrical parts

## Technical Information Sheet

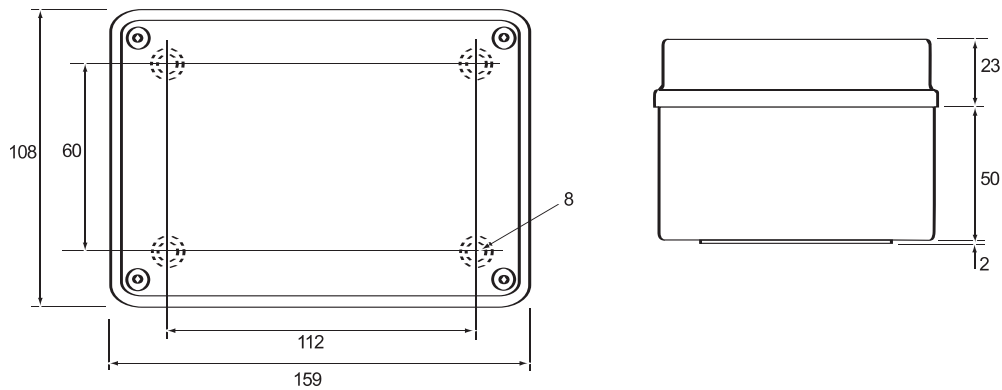
### Part No. 0-697-15

Universal junction box, moulded in grey plastic with removable lid and 'O' ring seal. Protected to IP56.

Internal 150 x 110 x 70mm, accepts all durite glands.



### Technical Drawing (not to scale)



### Specification

Type	Universal junction box
Application	Protection of cable junctions
Material - case	ABS
- seal	Closed cell synthetic foam rubber
Protection	IP56

The information contained in this document is correct to the best of our knowledge at the time of printing. However, specifications may change at any time without notice.