

# auto electrical parts

## Technical Information Sheet

### Part No. 0-607-35

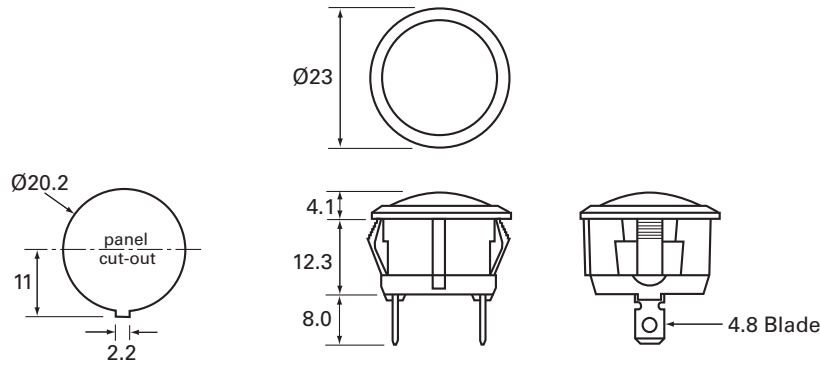
Warning light, 12/24 volt red LED indicator with 4.8mm blade terminals. Snap fits into 20mm diameter panel hole.



### Additional Information

Terminal 1 - Ground -ve  
Terminal 2 - Supply +ve

### Technical Drawing (not to scale)



### Specification

Type	LED indicator
Voltage	12/24 volt dc
LED	Red
LED current @ 12 volts	7mA
Terminals	4.8mm lucar blade
Temperature range	-20°C to 85°C
Electric strength	500vdc/1000vac
Insulation resistance	$\leq 100\text{M}\Omega$
Material Body	Nylon
Lens	Polycarbonate
Terminals	Silver plated brass
Panel cut-out	20mm
Panel depth	0.7 to 3.0mm
Weight	10g
Dimensions	$\text{Ø}23 \times \text{h } 24.5\text{mm}$ (including terminals)

The information contained in this document is correct to the best of our knowledge at the time of printing. However, specifications may change at any time without notice.

### Gordon Equipments Limited

Durite Works  
Valley Road  
Dovercourt  
Essex CO12 4RX  
England



Tel: +44 (0)1255 555200  
Fax: +44 (0)1255 555222  
E-mail: sales@durite.co.uk  
Web: www.durite.co.uk

Registered in England at address shown No. 373113  
The words 'Gordon', 'Durite', 'Nolten' and 'Acfil' are registered trade marks