

auto electrical parts

Technical Information Sheet

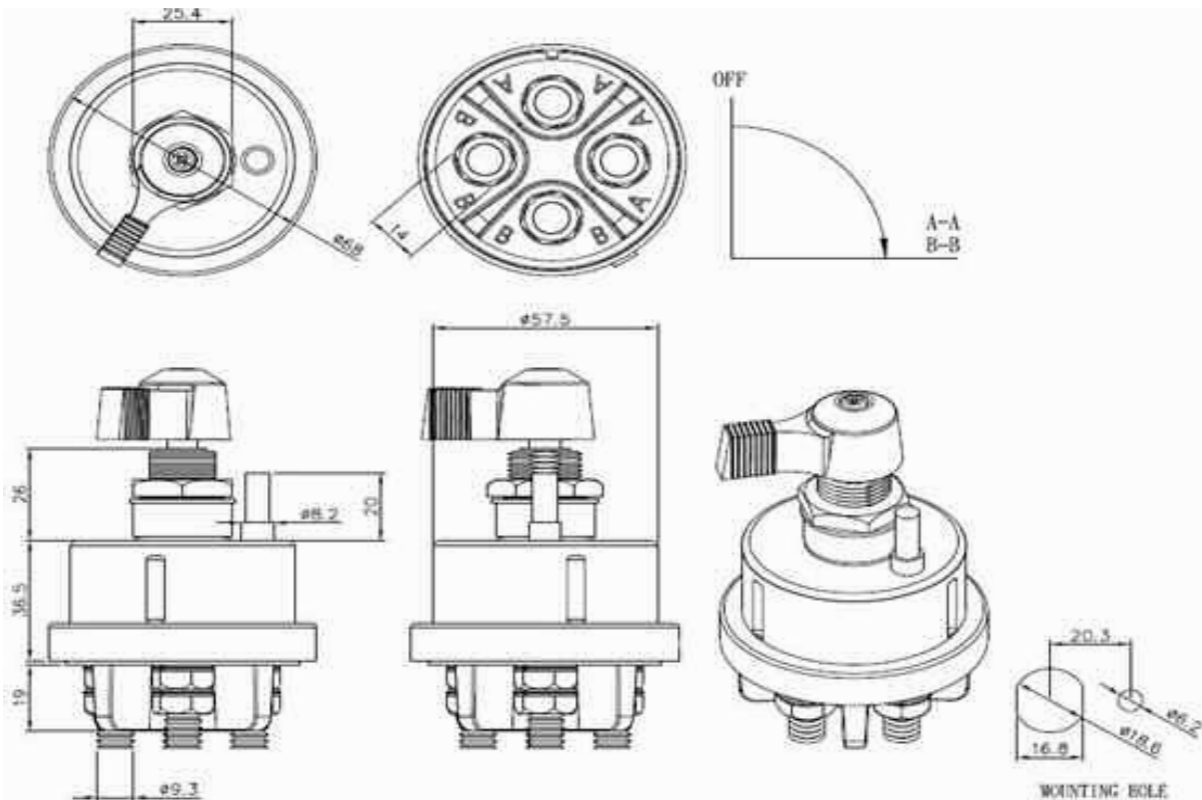
Part No. 0-605-22

Double Pole Single Throw On/Off Switch

Durite's Double Pole Single Throw On/Off Switch, used for isolating vehicle batteries. Upto 36VDC Max, Carry Only. 125A Continuous. 500A Intermittent (15 Seconds On, 5 Minutes Off). 4 x 3/8" - 24 Studs. C/W Index Pin.



Technical Drawing (not to scale)



Specification

Volts	36 VDC Max
Amps	125A Continuous. 500A Intermittent - (15 Seconds On, 5 Minutes Off)
Material:	Trivalent Chromate Plating
Studs	4 x 3/8" - 24 studs
Certificate	n/a
Dimensions	Please see above (dimensions in mm)

The information contained in this document is correct to the best of our knowledge at the time of printing. However, specifications may change at any time without notice.