

## auto electrical parts

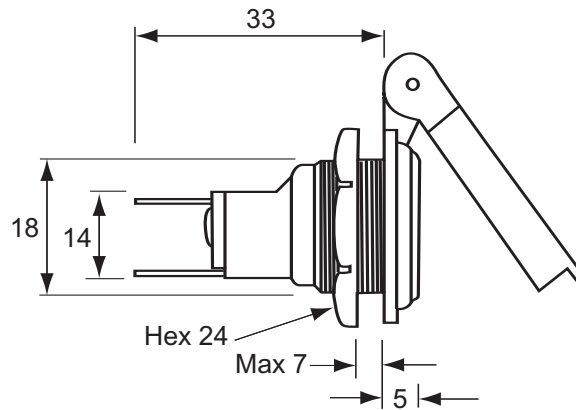
### Technical Information Sheet

Part No. 0-601-29

DIN socket with spring loaded cap, for 18mm diameter panel hole. 16 amp maximum.



Technical Drawing (not to scale)



### Specification

Type	Panel mount DIN socket
Voltage	12/24 volt
Maximum current	16 amp
Panel hole	18mm
Terminals	2 x 6.3 male blade
Dimensions	See diagram

The information contained in this document is correct to the best of our knowledge at the time of printing. However, specifications may change at any time without notice.