

auto electrical parts

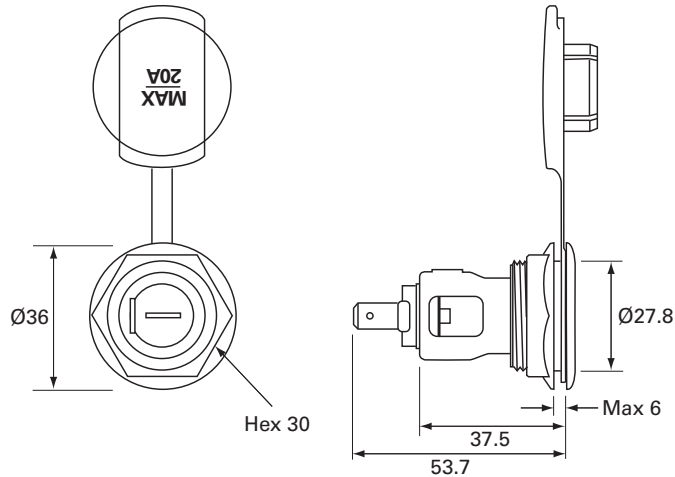
Technical Information Sheet

Part No. 0-601-01

Power socket with cover, for 28mm panel hole. 20 amps maximum.



Technical Drawing (not to scale)



Specification

Type	Panel mount power socket
Voltage	12/24 volt
Maximum current	20 amp
Panel hole	28mm
Panel thickness	6mm max
Terminals	2 x 6.3 male blade
Dimensions	See diagram

The information contained in this document is correct to the best of our knowledge at the time of printing. However, specifications may change at any time without notice.